



US00D445862S

(12) **United States Design Patent**
Ford

(10) **Patent No.:** **US D445,862 S**

(45) **Date of Patent:** **** Jul. 31, 2001**

(54) **GOLF CLUB FOR TEACHING BALL ALIGNMENT AND LIE ANGLE**

(75) **Inventor:** **John S. Ford**, 2940 S. Horseshoe Dr., Suite 1000, Naples, FL (US) 34104

(73) **Assignee:** **John S. Ford**, Naples, FL (US)

(**) **Term:** **14 Years**

(21) **Appl. No.:** **29/136,038**

(22) **Filed:** **Jan. 24, 2001**

(51) **LOC (7) Cl.** **21-02**

(52) **U.S. Cl.** **D21/747; D21/791**

(58) **Field of Search** D21/747-751,
D21/789, 791; 473/324, 327-331, 350,
219

(56) **References Cited**

U.S. PATENT DOCUMENTS

- D. 329,266 * 9/1992 Antonious D21/377
- D. 377,381 * 1/1997 Takahashi et al. D21/748
- D. 383,820 * 9/1997 Watanabe D21/749
- D. 428,634 * 7/2000 Nagai et al. D21/759

- D. 428,635 * 7/2000 Nagai et al. D21/759
- D. 435,278 * 12/2000 Reed et al. D21/747
- 5,014,993 * 5/1991 Antonious 473/350
- 5,921,869 * 7/1999 Blough et al. 473/350

* cited by examiner

Primary Examiner—Mitchell Siegel

(74) *Attorney, Agent, or Firm*—Oldham & Oldham Co., L.P.A.

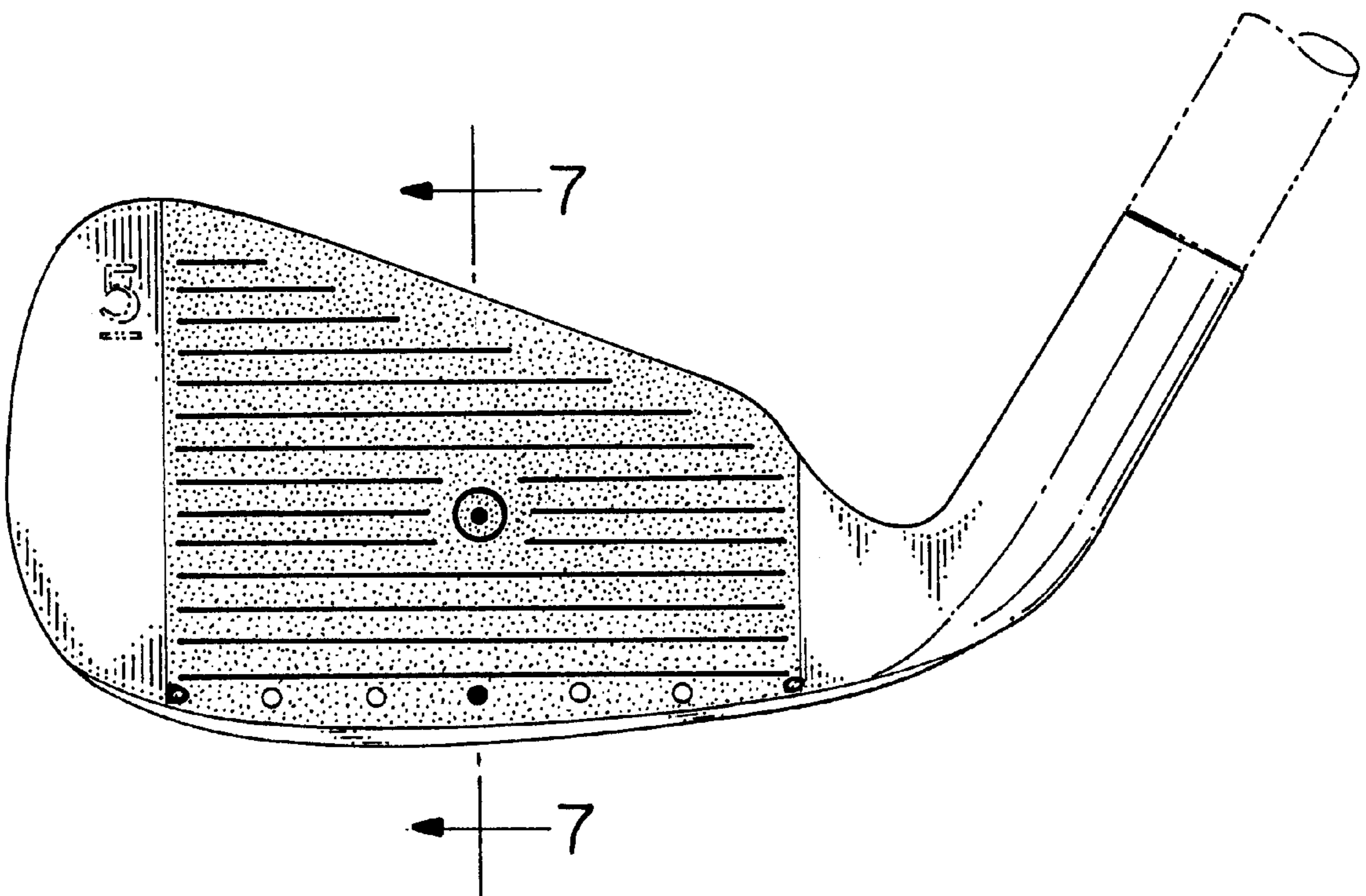
(57) **CLAIM**

I claim the ornamental design for improved golf club for teaching ball alignment and lie angle, as shown.

DESCRIPTION

FIG. 1 is a front elevational view of a new design for improved golf club for teaching ball alignment and lie angle; FIG. 2 is a top view; FIG. 3 is a bottom view; FIG. 4 is a toe end elevational view; FIG. 5 is a heel end elevational view; FIG. 6 is a rear elevational view; and, FIG. 7 is a sectional view as may be taken at line 7—7 in FIG. 1.

1 Claim, 3 Drawing Sheets



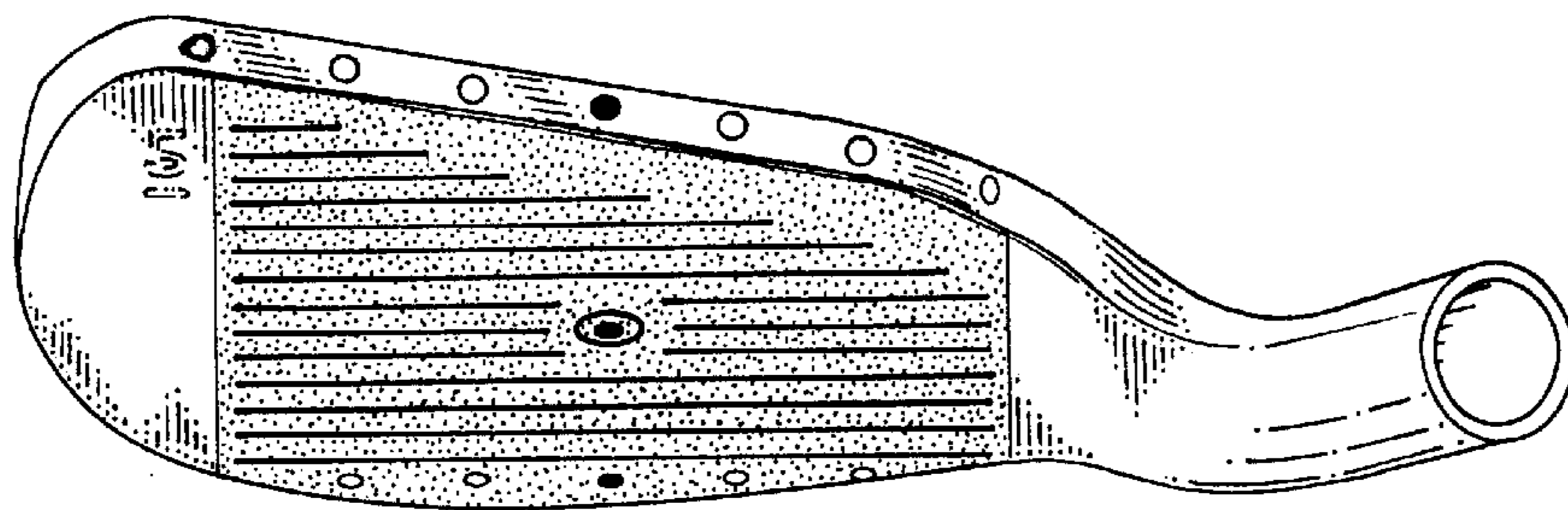


FIG. - 2

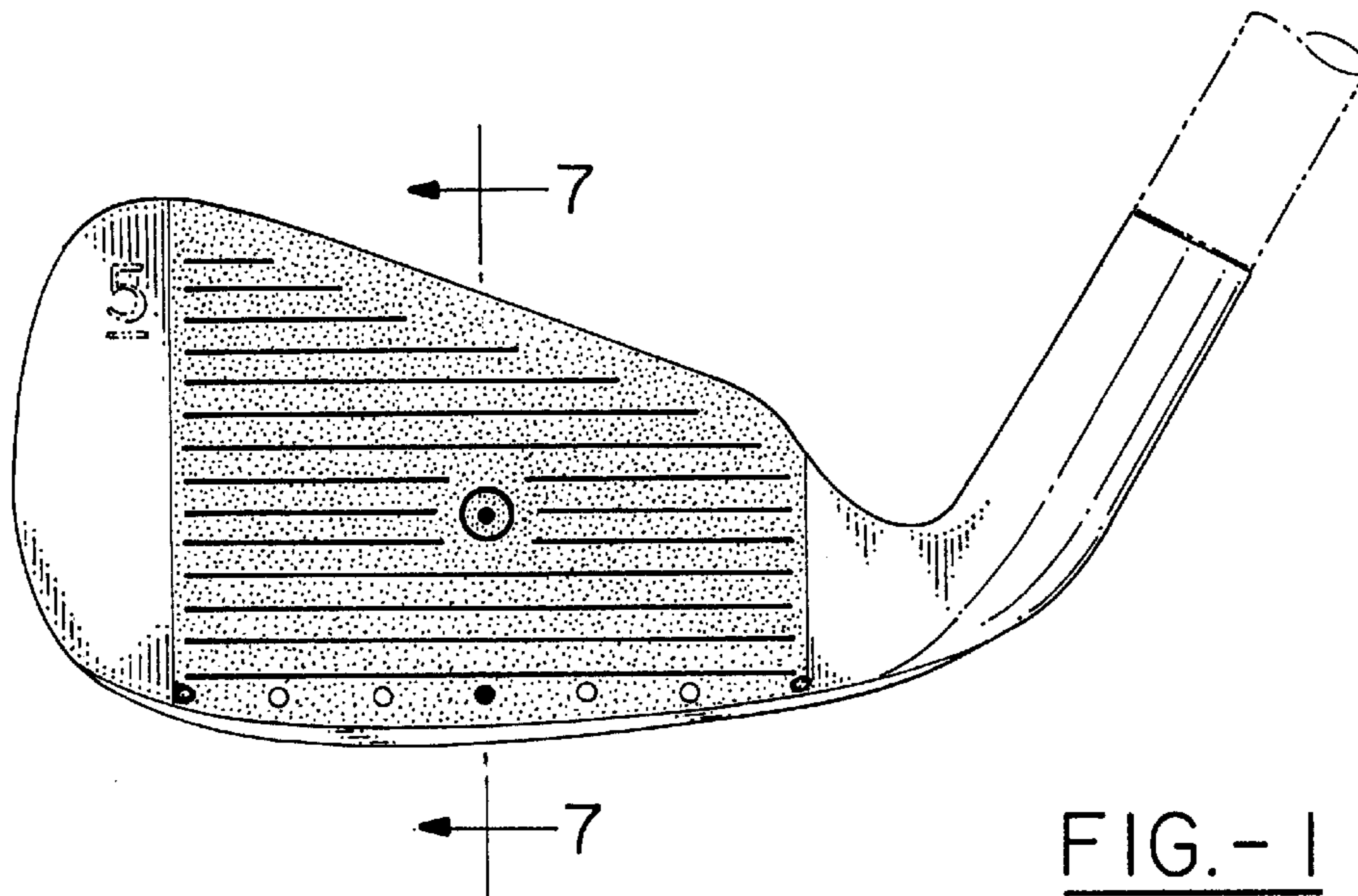


FIG. - 1

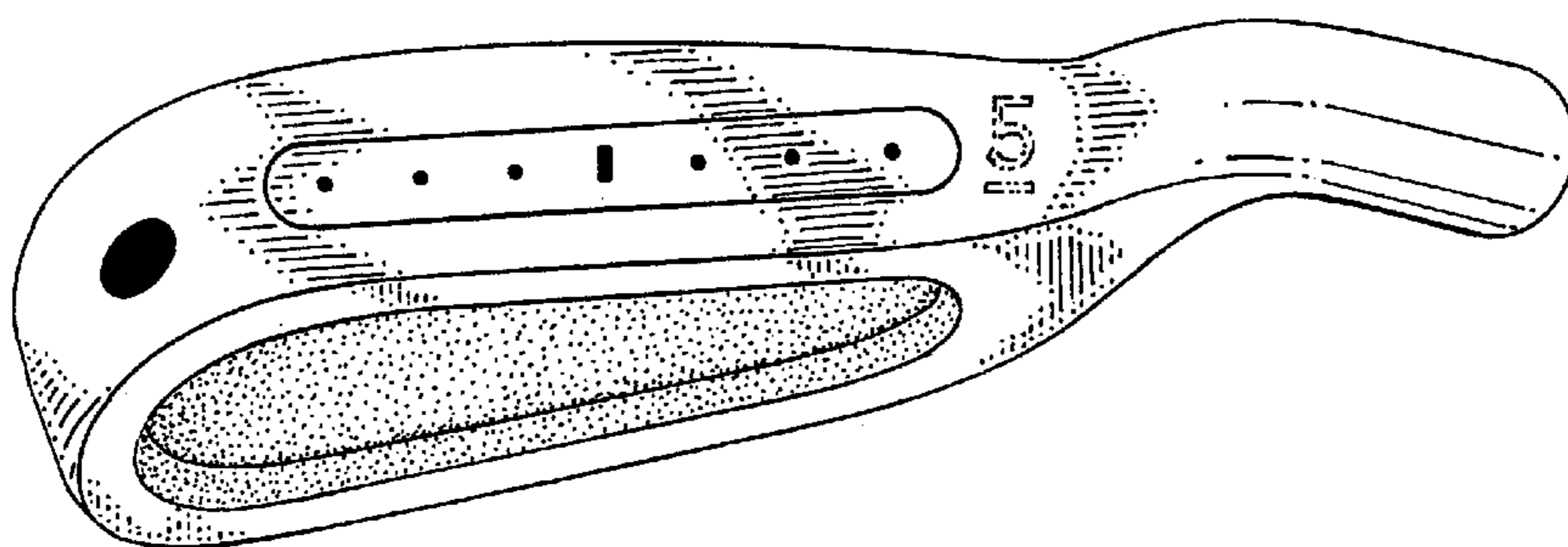


FIG. - 3

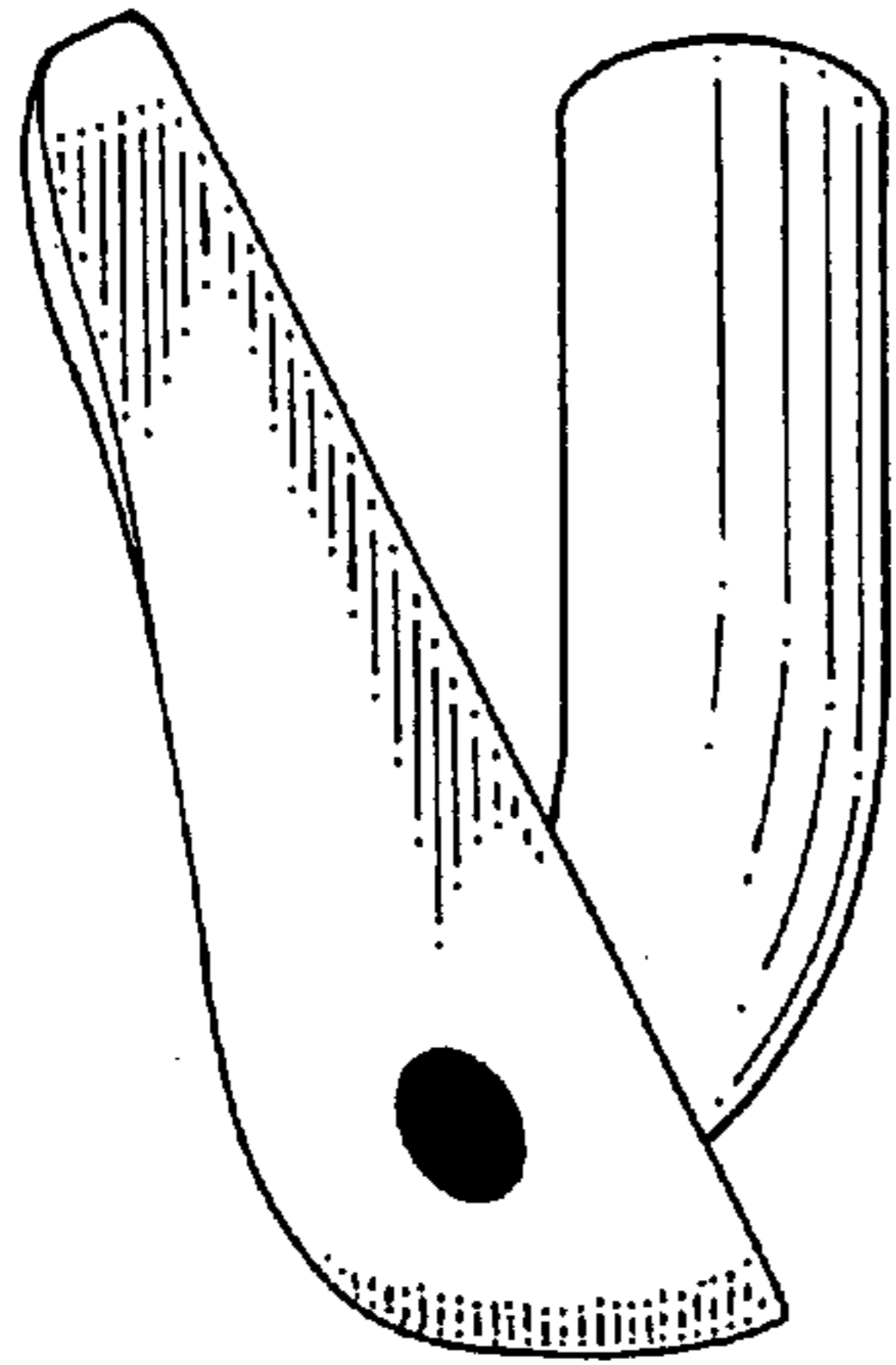


FIG. -4

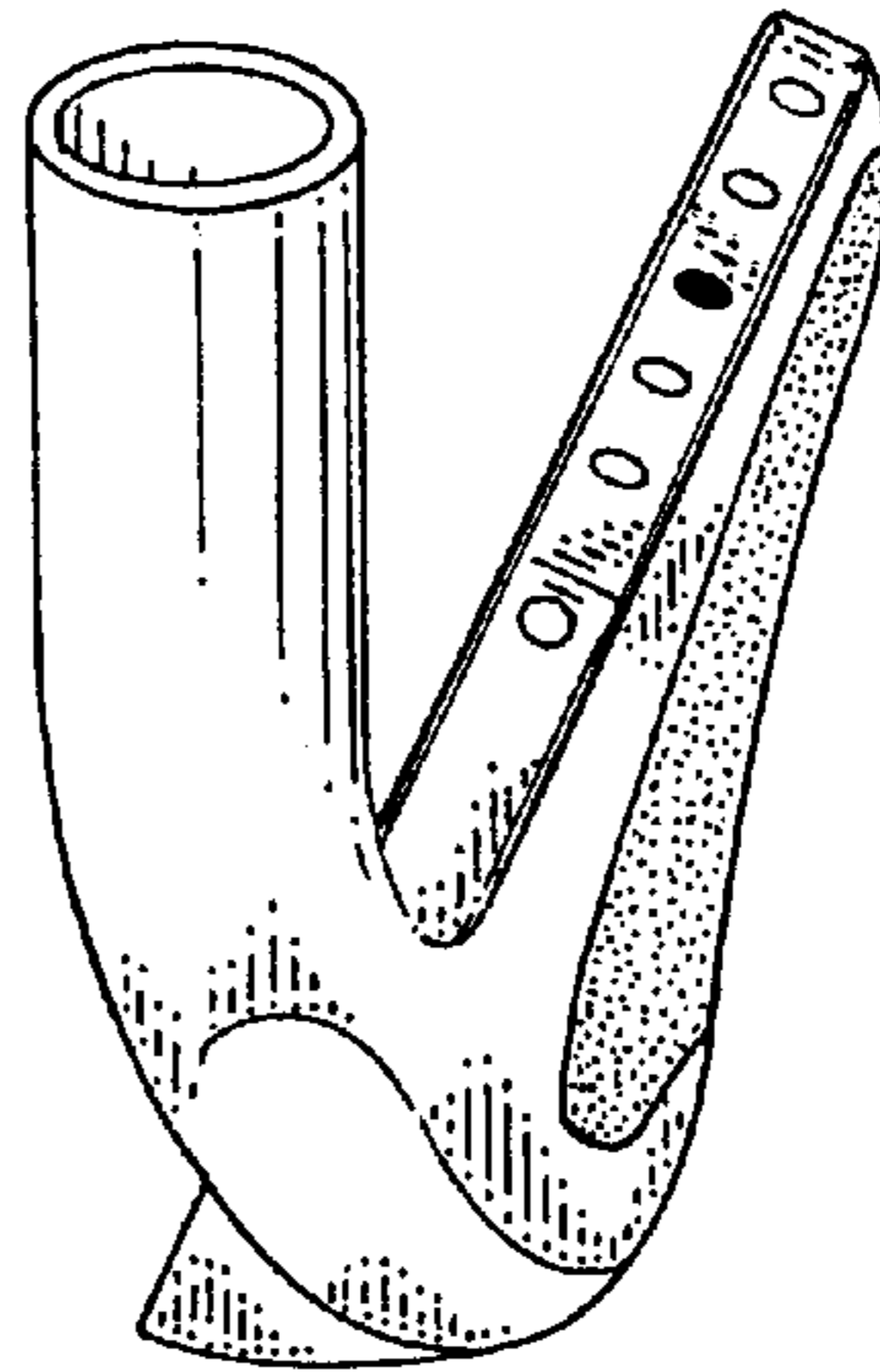


FIG. -5

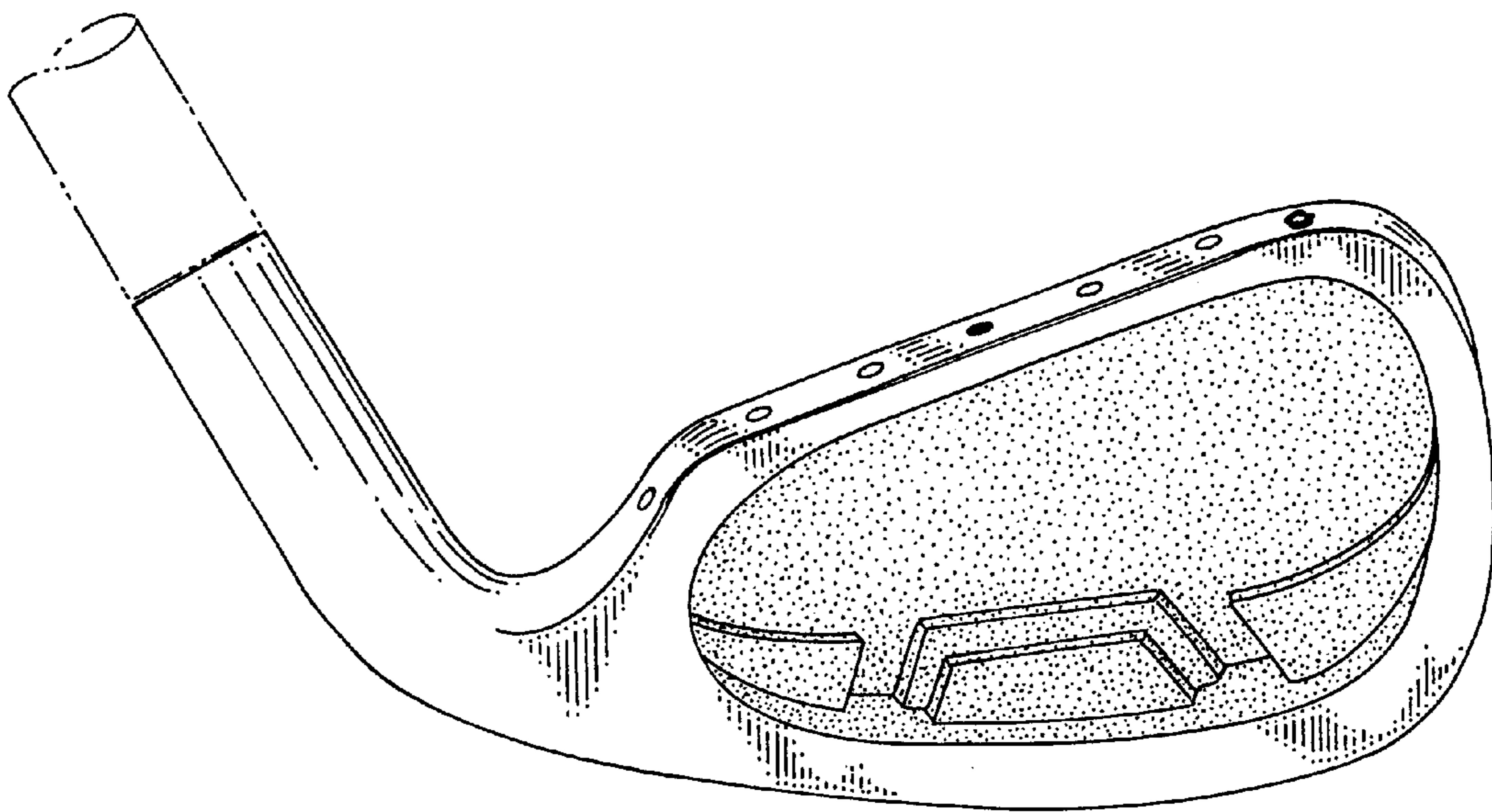


FIG. -6

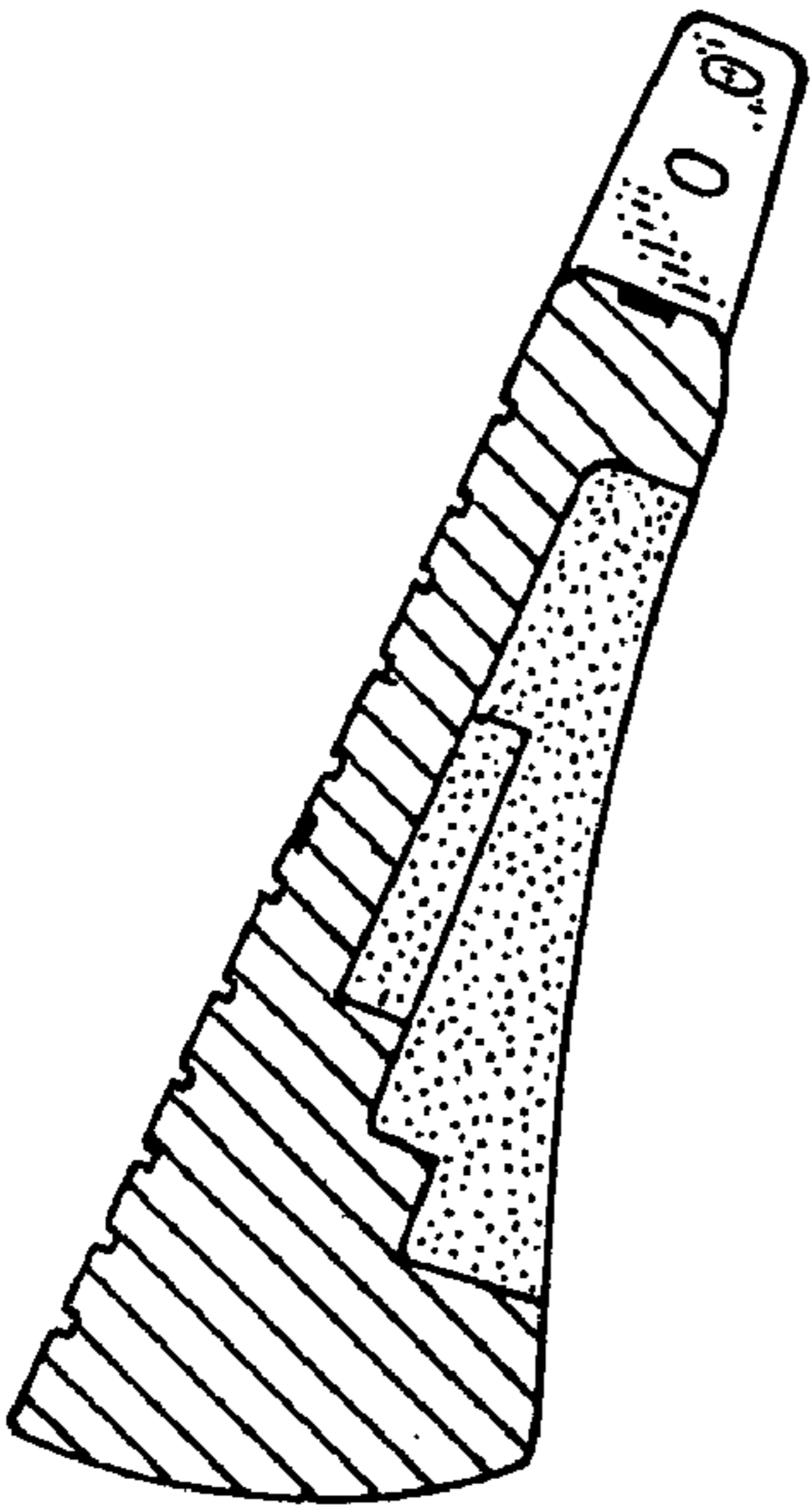


FIG.-7