



US00D445858S

(12) **United States Design Patent**  
**Yates**

(10) **Patent No.:** **US D445,858 S**

(45) **Date of Patent:** **\*\* Jul. 31, 2001**

(54) **PEDAL USED TO ACTUATE A GOLF BALL DISPENSER**

(76) **Inventor:** **Patrick D. Yates**, 21417 Brewer Rd.,  
Grass Valley, CA (US) 95949

(\*\*) **Term:** **14 Years**

(21) **Appl. No.:** **29/123,341**

(22) **Filed:** **May 16, 2000**

(51) **LOC (7) Cl.** ..... **21-02**

(52) **U.S. Cl.** ..... **D21/720**

(58) **Field of Search** ..... D21/720, 789;  
D12/125; D15/72; 473/131, 135, 136; 74/561

(56) **References Cited**

**U.S. PATENT DOCUMENTS**

- D. 249,718 \* 9/1978 Arndt et al. .... D21/720
- D. 260,524 \* 9/1981 Satoh ..... D15/72
- D. 264,848 \* 6/1982 Hanyu ..... D15/72
- D. 324,838 \* 3/1992 Briscadieu ..... D12/125
- D. 355,871 \* 2/1995 Schermeister ..... D12/125

- D. 423,060 \* 4/2000 Clark et al. .... D21/720 X
- 2,996,953 \* 6/1961 De Armond ..... 74/561 X
- 3,744,341 \* 7/1973 Martin et al. .... 74/512 X
- 4,299,182 \* 11/1981 Tanaka ..... D15/72 X

\* cited by examiner

*Primary Examiner*—Dominic Simone  
(74) *Attorney, Agent, or Firm*—Thomas R. Lampe

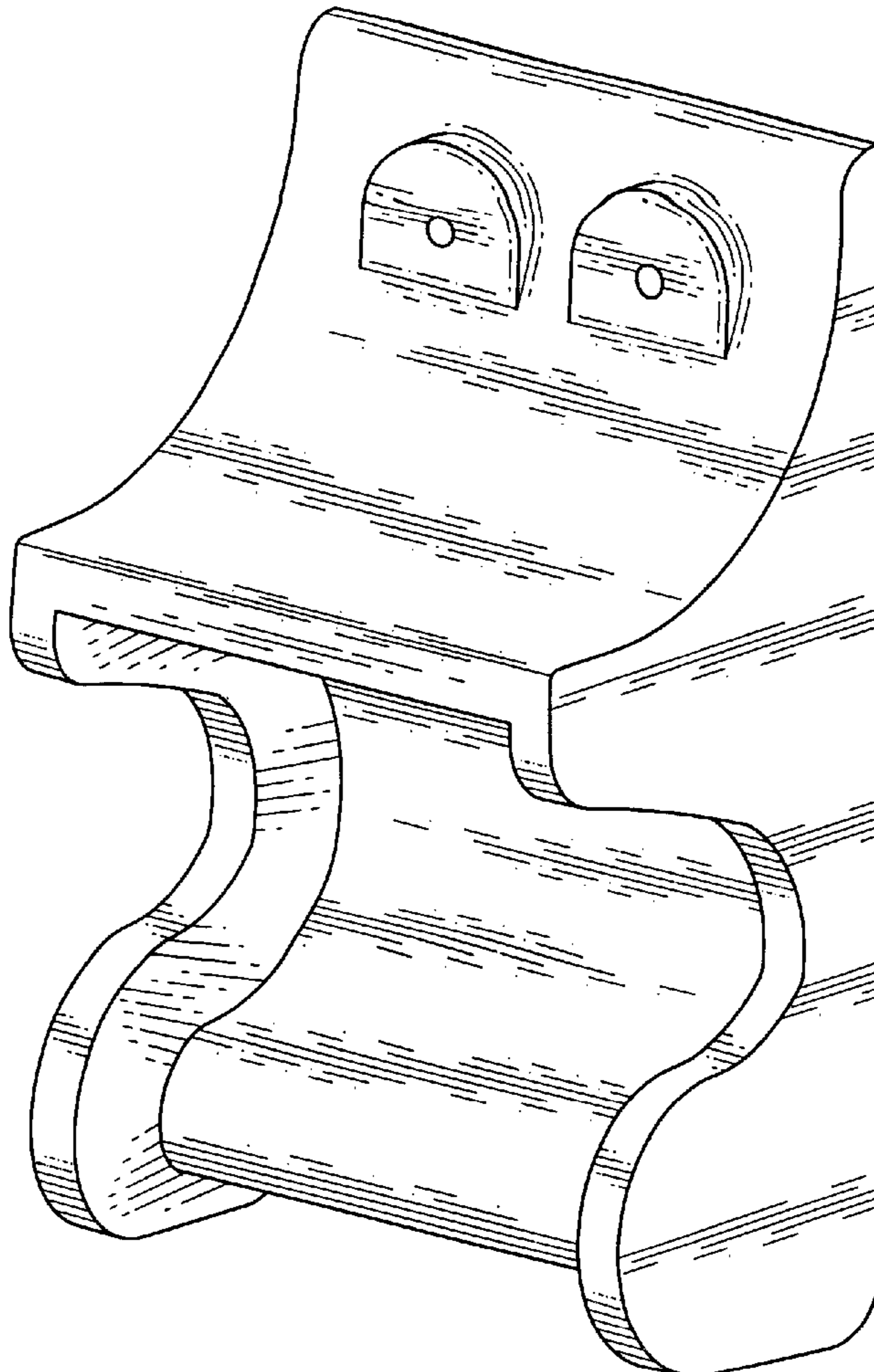
(57) **CLAIM**

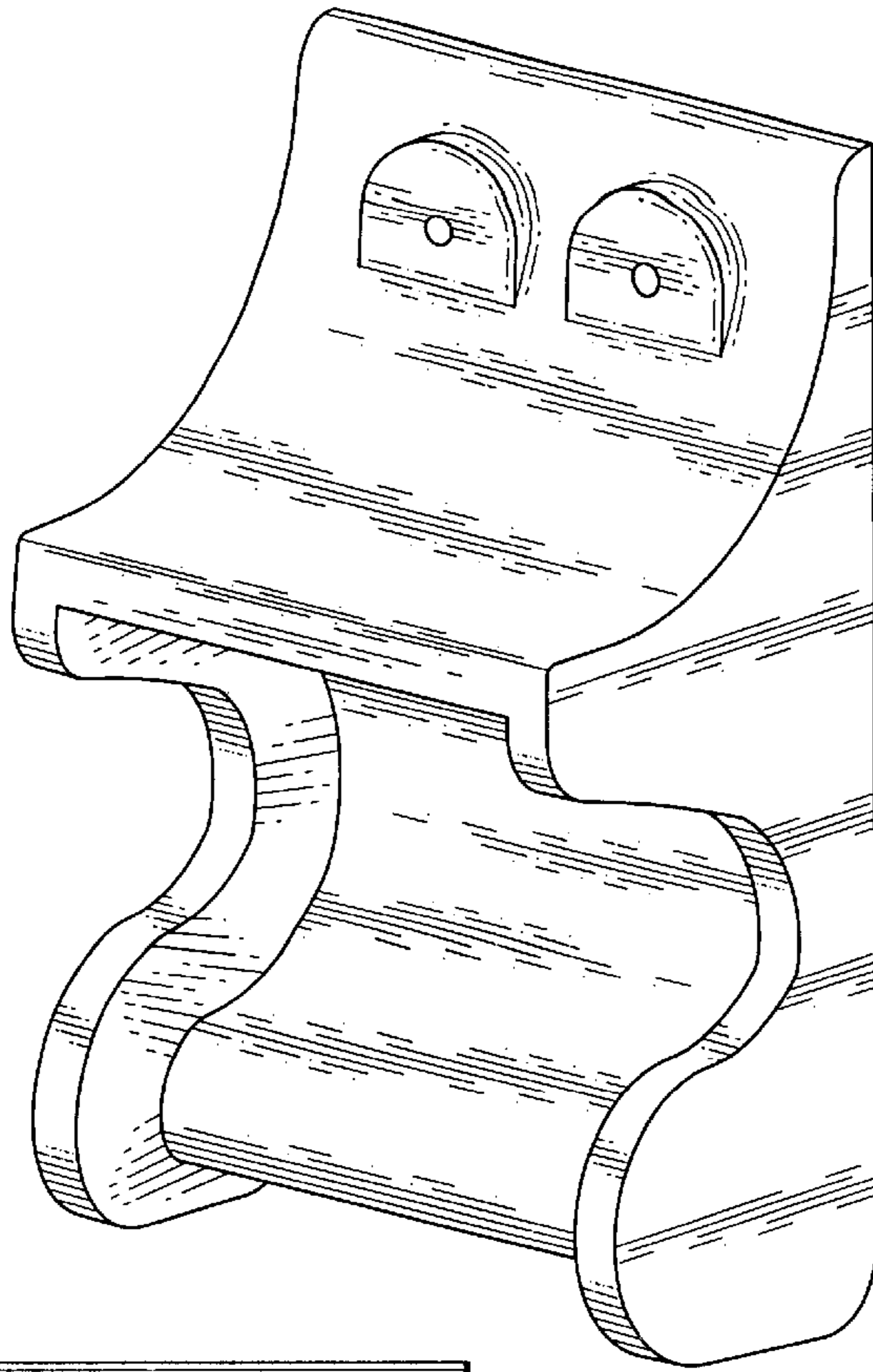
The ornamental design for pedal used to actuate a golf ball dispenser, as shown and described.

**DESCRIPTION**

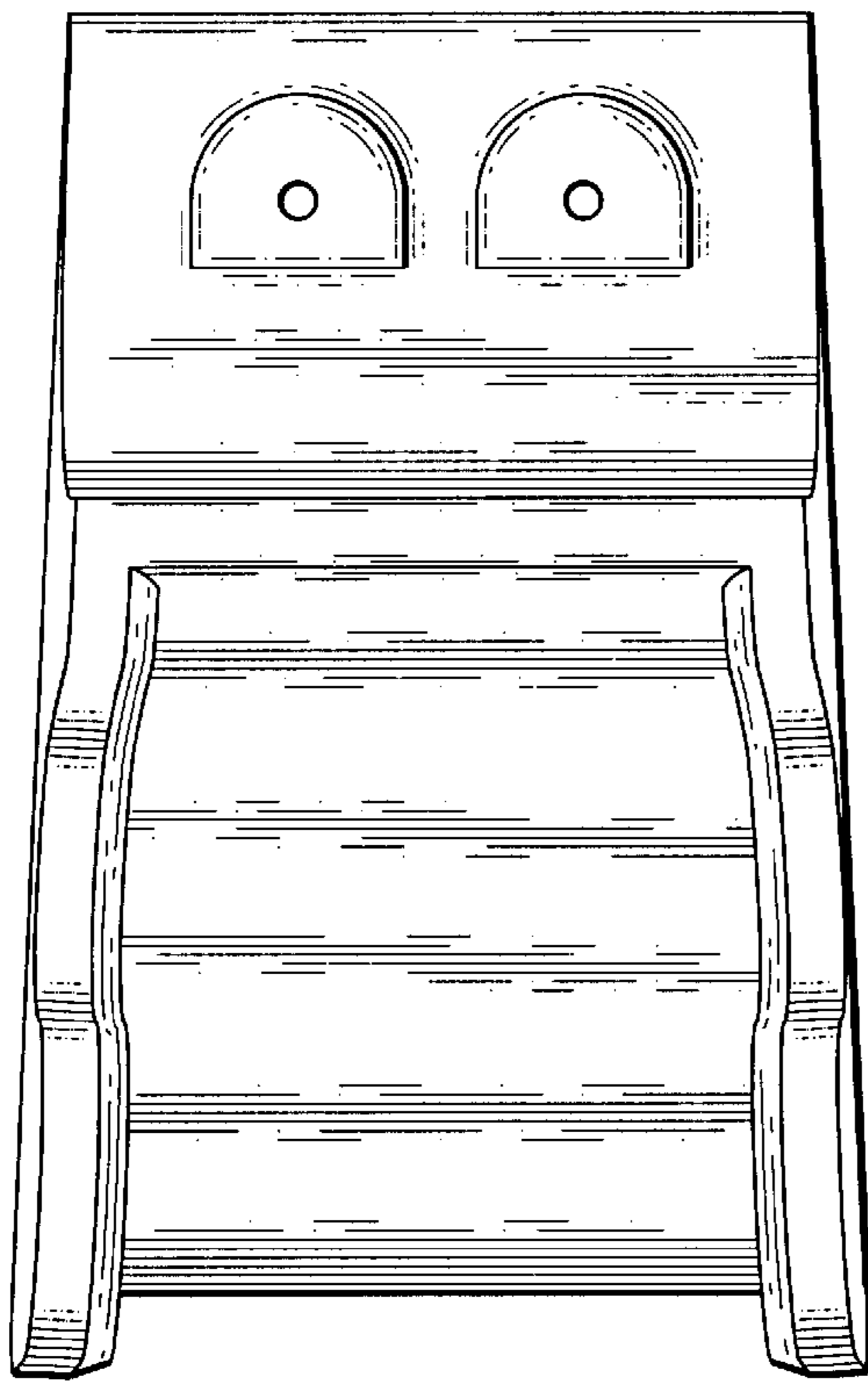
FIG. 1 is a perspective of a pedal used to actuate a golf ball dispenser;  
 FIG. 2 is a front elevation thereof;  
 FIG. 3 is a right elevation thereof, the left elevation being a mirror image;  
 FIG. 4 is a top plan thereof;  
 FIG. 5 is a bottom plan thereof; and,  
 FIG. 6 is a rear elevation thereof.

**1 Claim, 2 Drawing Sheets**

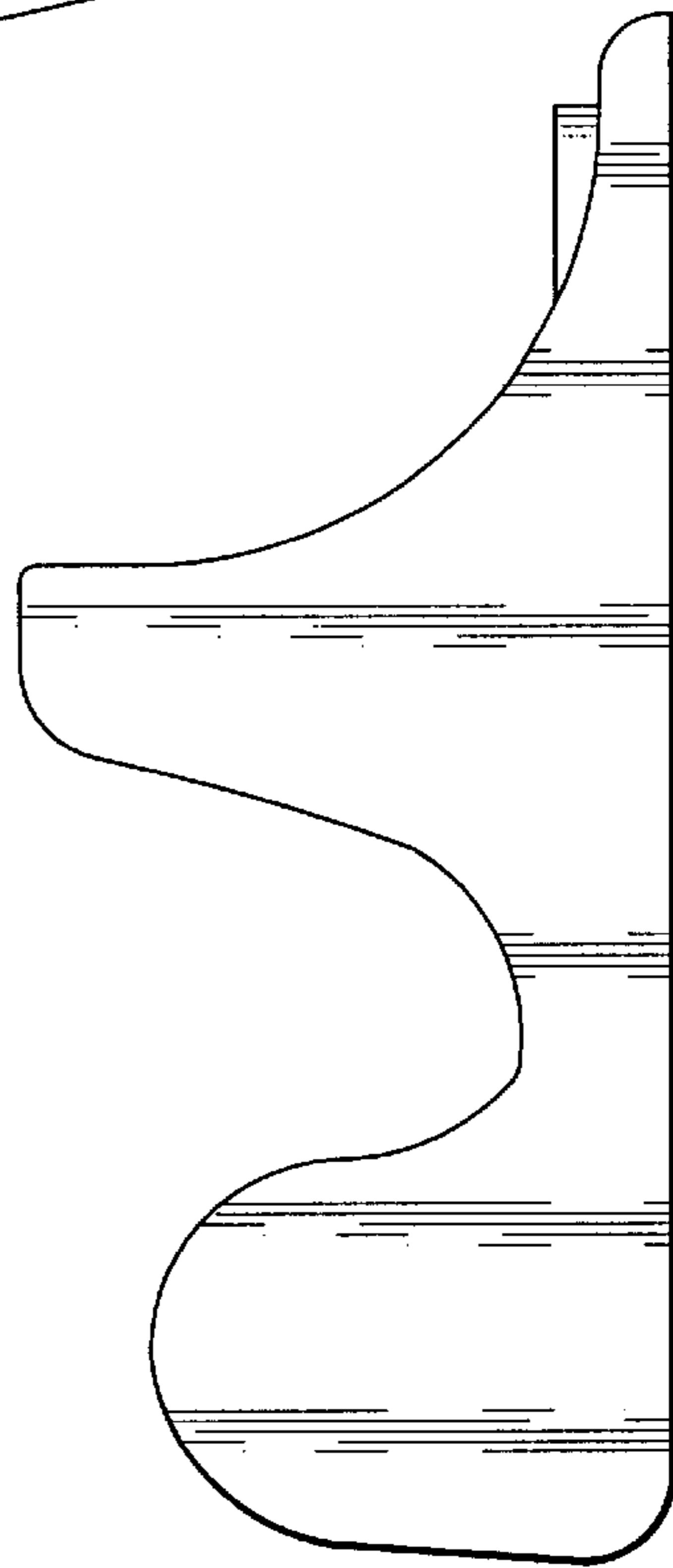




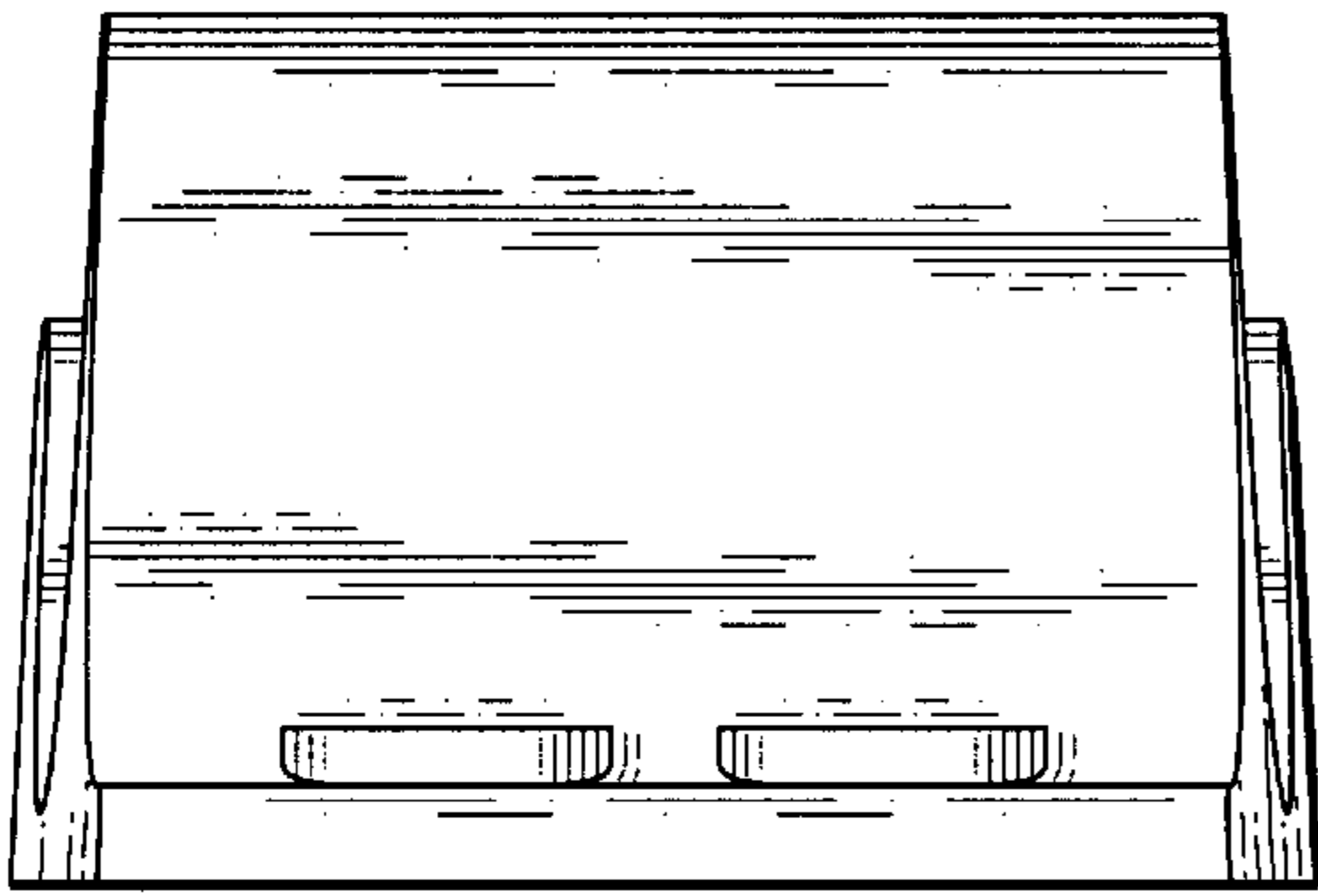
*Fig. 1*



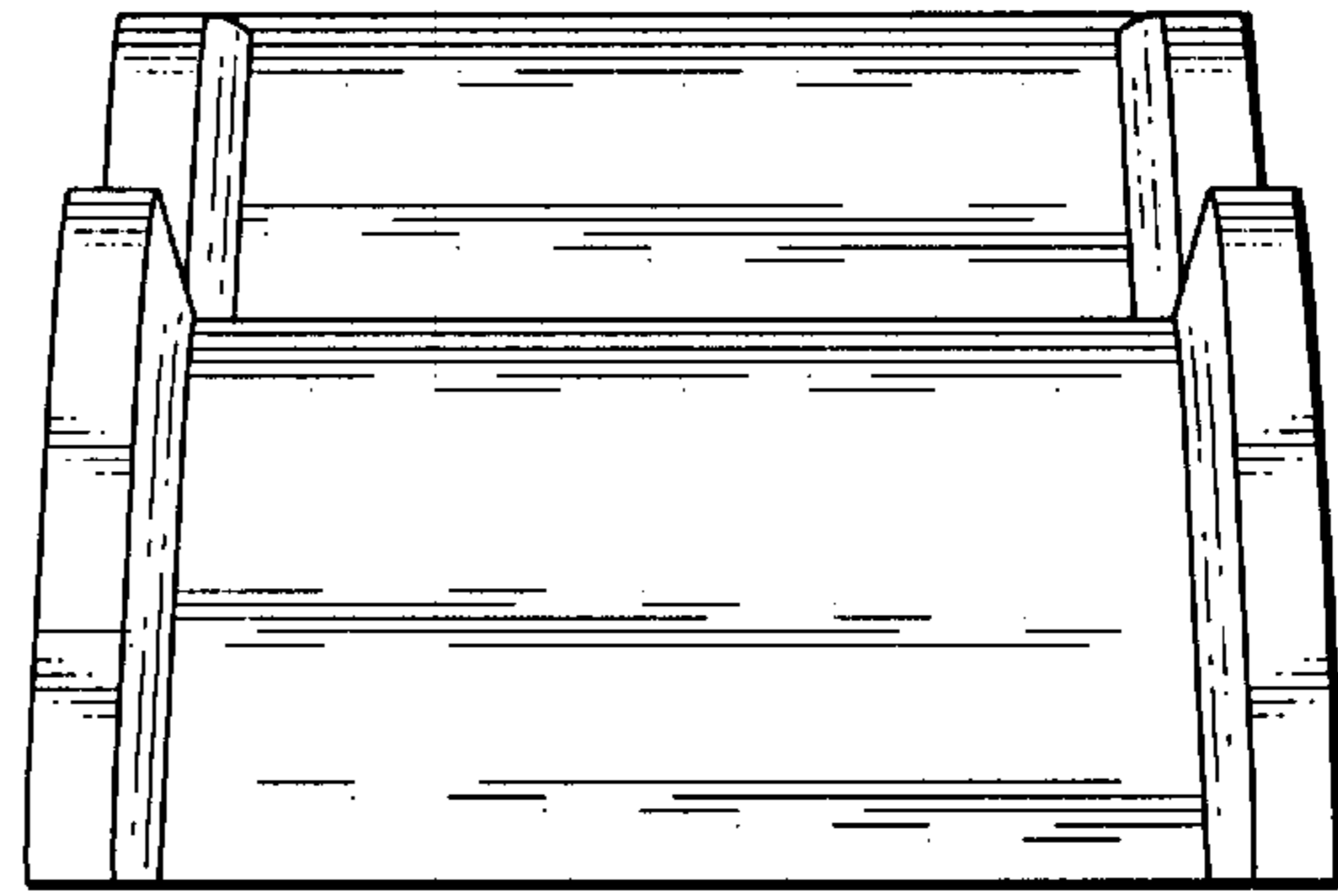
*Fig. 2*



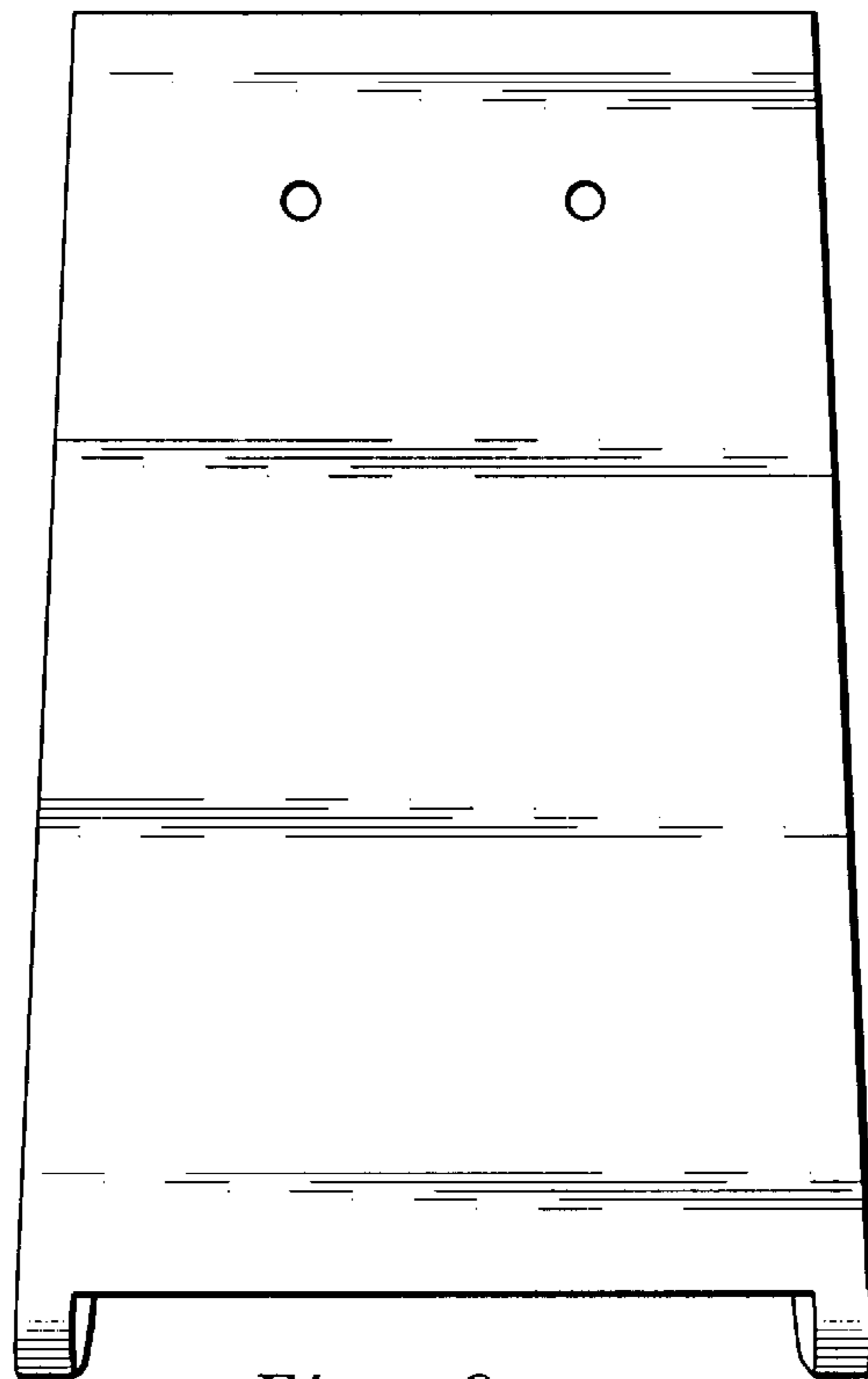
*Fig. 3*



*Fig. 4*



*Fig. 5*



*Fig. 6*