



US00D445857S

(12) **United States Design Patent**
Schickert et al.

(10) **Patent No.:** **US D445,857 S**
(45) **Date of Patent:** **** Jul. 31, 2001**

(54) **GROOVES IN A FRONT SURFACE OF A BASKETBALL BACKBOARD**

(75) Inventors: **Randy R. Schickert**, Kewaskum; **Jon C. Gallun**, Waukesha, both of WI (US)

(73) Assignee: **Huffy Corporation**, Miamisburg, OH (US)

(**) Term: **14 Years**

(21) Appl. No.: **29/075,965**

(22) Filed: **Aug. 14, 1997**

Related U.S. Application Data

(63) Continuation of application No. 29/057,104, filed on Jul. 16, 1996, now abandoned.

(51) **LOC (7) Cl.** **21-02**

(52) **U.S. Cl.** **D21/701**

(58) **Field of Search** D21/699, 701-704;
473/479-484; D7/566; D12/152; D25/123,
125

(56) **References Cited**

U.S. PATENT DOCUMENTS

D. 216,722	3/1970	Minnette	D21/201
D. 229,430	11/1973	Fortin	D21/201
D. 235,897	7/1975	Breneman	D21/201
D. 348,710	7/1994	Tager et al.	D21/201
D. 362,223 *	9/1995	Attinello et al.	D12/152
D. 369,633	5/1996	Taylor et al.	D21/201
2,932,511	4/1960	Bemis	273/1.5
3,964,743	6/1976	Salsich, Sr.	273/1.5 R
4,424,968	1/1984	Smith	273/1.5 R
4,478,415	10/1984	Shaffer et al.	273/1.5 R
5,507,484	4/1996	van Nimwegen et al.	273/1.5 R

OTHER PUBLICATIONS

Lifetime, Graphite Slam-it, third party alleged date Oct. 1, 1990 (see, particularly, E11).

Lifetime, Slam Drunk Model 1892, third party alleged date Oct. 1991 (see, particularly, E13).

Lifetime, Quick Adjust Model, 4826, third party alleged date Jan. 1993 (see, particularly, E18).

Lifetime, Combo Model 3820, third party alleged date Sep. 1993 (see, particularly, E19).

Lifetime, World Class, third party alleged date Aug. 1994 (see, particularly, E21).

Lifetime, Overtime, third party alleged date Jun. 10, 1994 (see, particularly, E22).

Lifetime, Hangtime, third party alleged date Nov. 3, 1993 (see, particularly, E23).

Porter, Sports Equipment, dated 1991 (see, particularly E39, E31-33).

Spalding, Backboard, third party alleged date unknown (see, particularly, E34, E-36-38).

(List continued on next page.)

Primary Examiner—Dominic Simone

(74) *Attorney, Agent, or Firm*—Howrey Simon Arnold & White; Michael J. Bell

(57) **CLAIM**

The ornamental design for grooves in a front surface of a basketball backboard, as shown and described.

DESCRIPTION

FIG. 1 is a front elevation view of grooves in front surface of a basketball backboard showing our new design;

FIG. 2 is a cross section view taken along line 2—2 in FIG. 1;

FIG. 3 is an enlarged fragmented front elevation view taken from enclosure 3 of FIG. 1;

FIG. 4 is an enlarged fragmented front elevation view taken from enclosure 4 of FIG. 1;

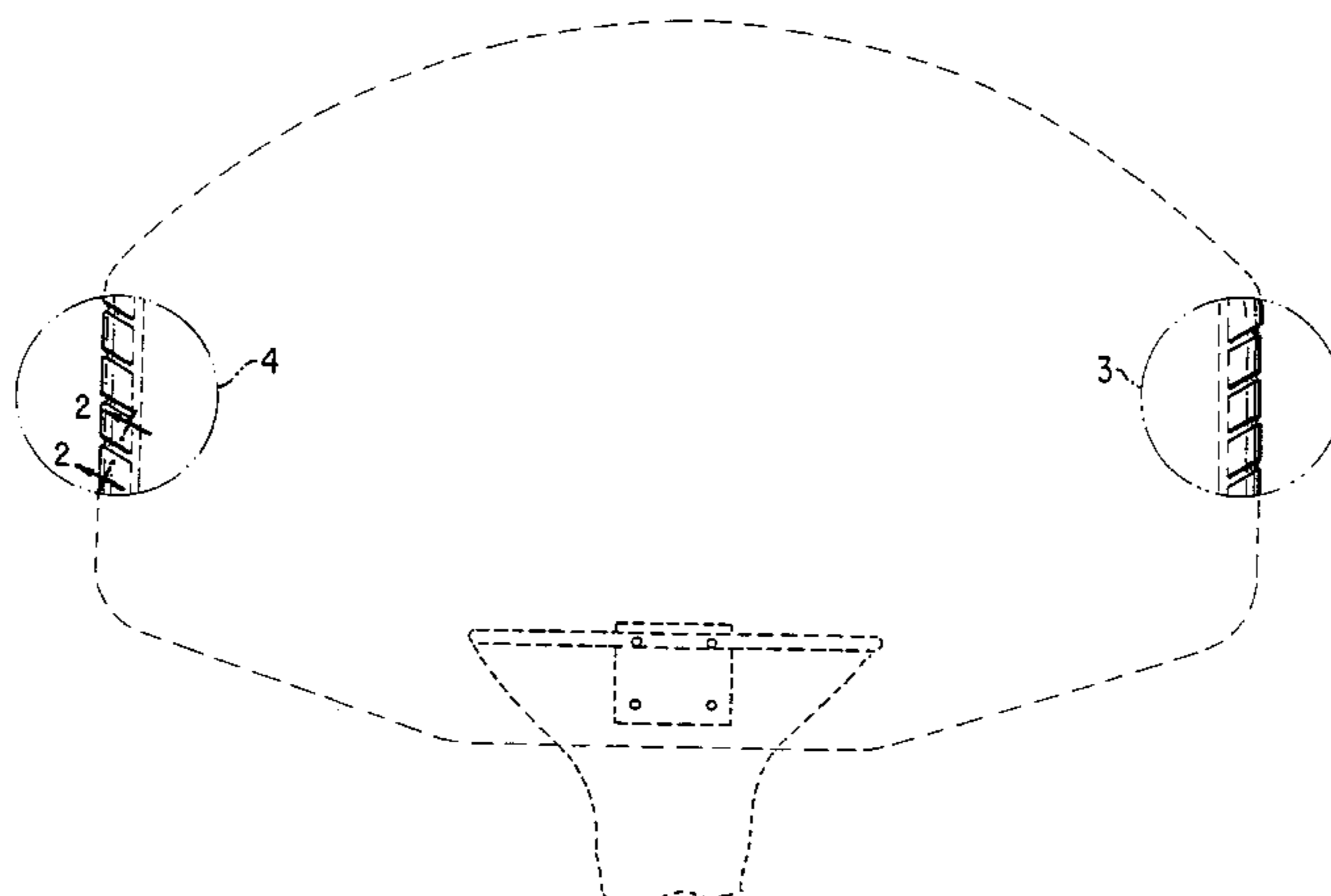
FIG. 5 is a front elevation view of a second alternate embodiment;

FIG. 6 is an enlarged fragmented front elevation view taken from enclosure 6 of FIG. 5; and,

FIG. 7 is an enlarged fragmented front elevation view taken from enclosure 7 of FIG. 5.

The broken line showing of the backboard, goal, and net is for illustrative purposes only and forms no part of the claimed design.

1 Claim, 3 Drawing Sheets



OTHER PUBLICATIONS

Huffy, Performance Series Models 80381 and 80382, Feb. 3, 1994.

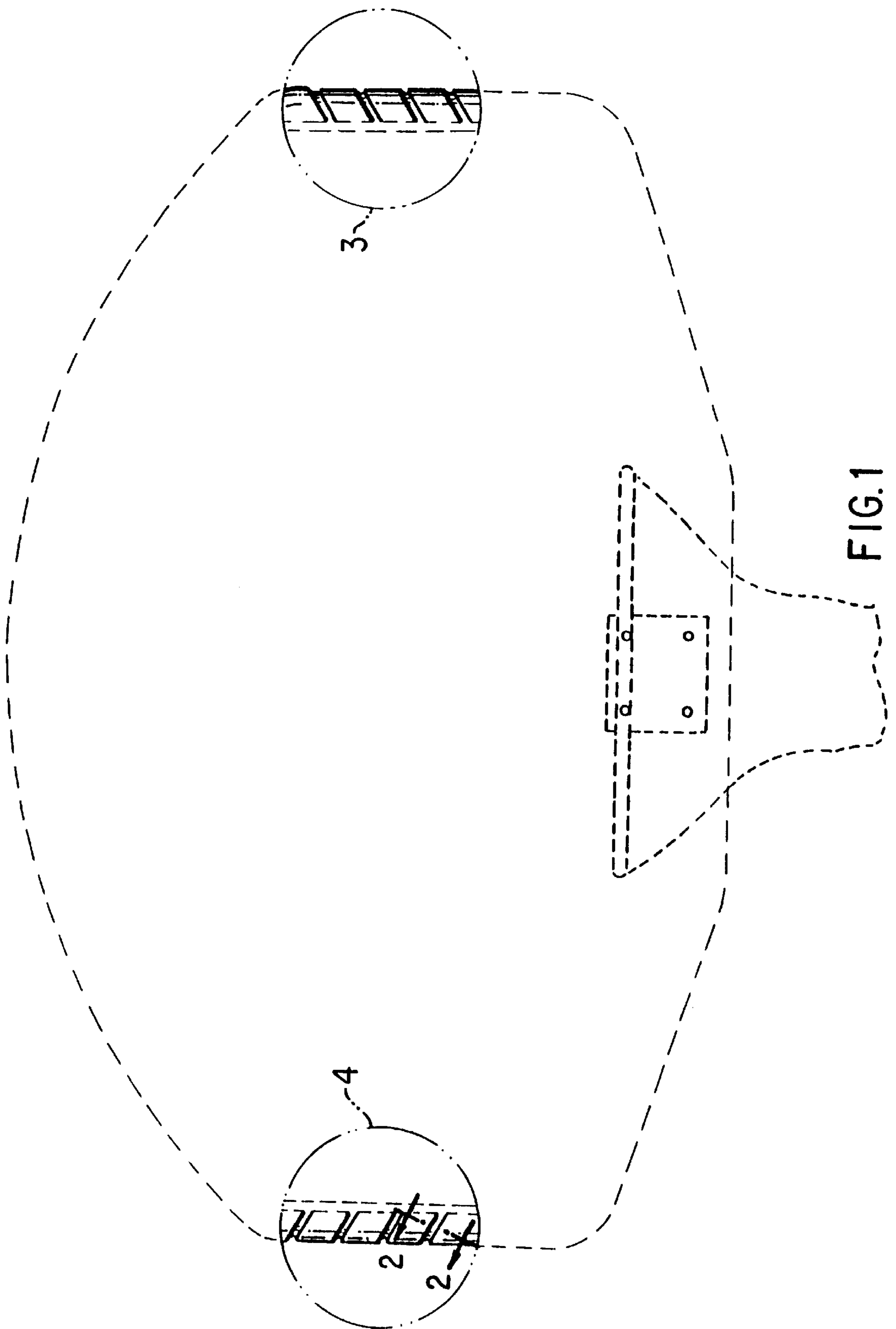
Huffy, 8717, Feb. 1989 (see, particularly, E54).

Huffy, 8117, Feb. 1989 (see, particularly, E55).

Huffy, 8858, Feb. 1989 (see, particularly, E56).

Huffy, 8866, Feb. 1989 (see, particularly, E57).

* cited by examiner



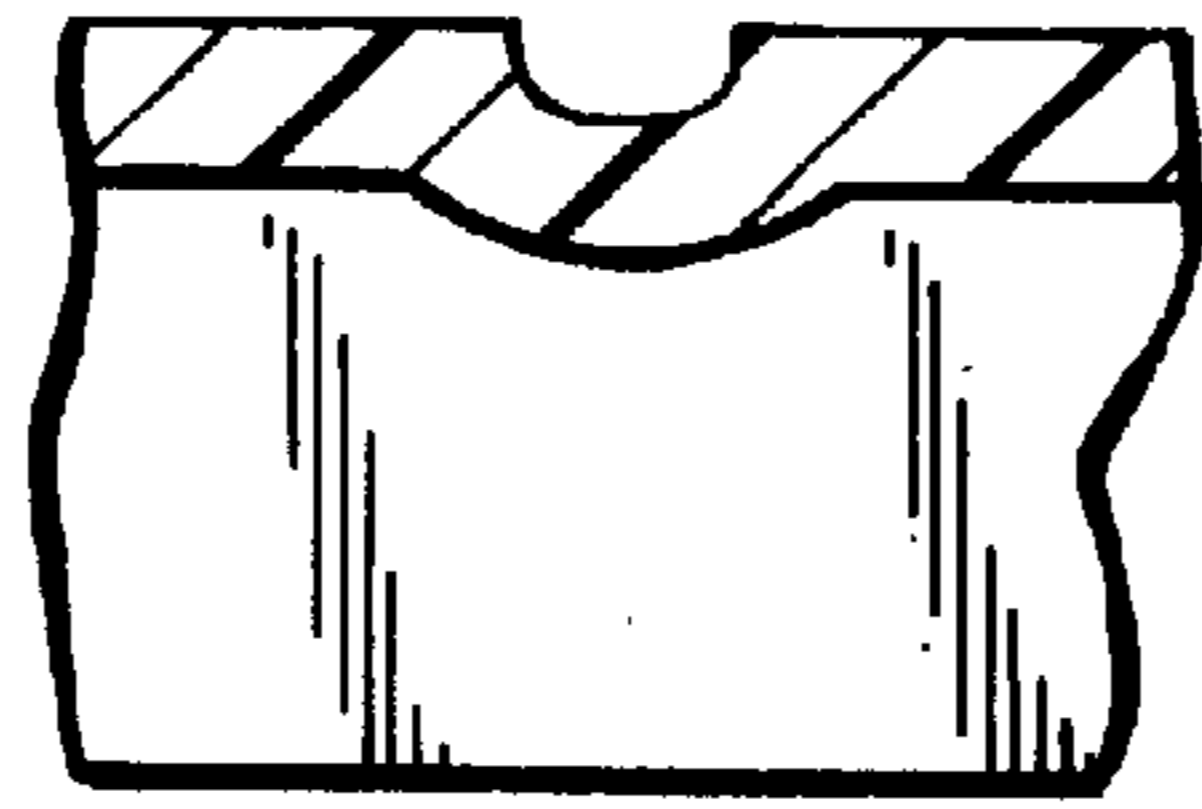


FIG. 2

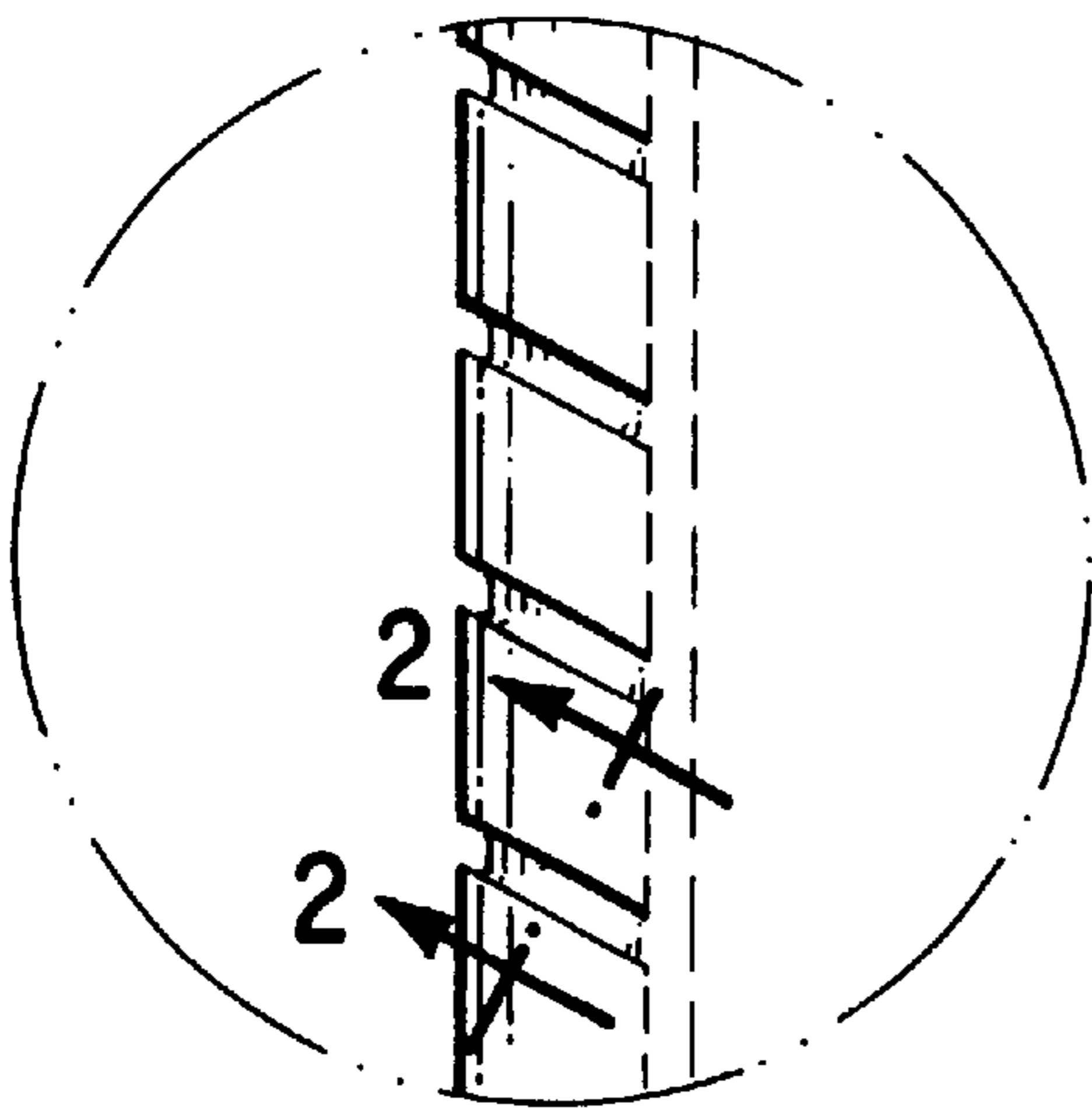


FIG. 4

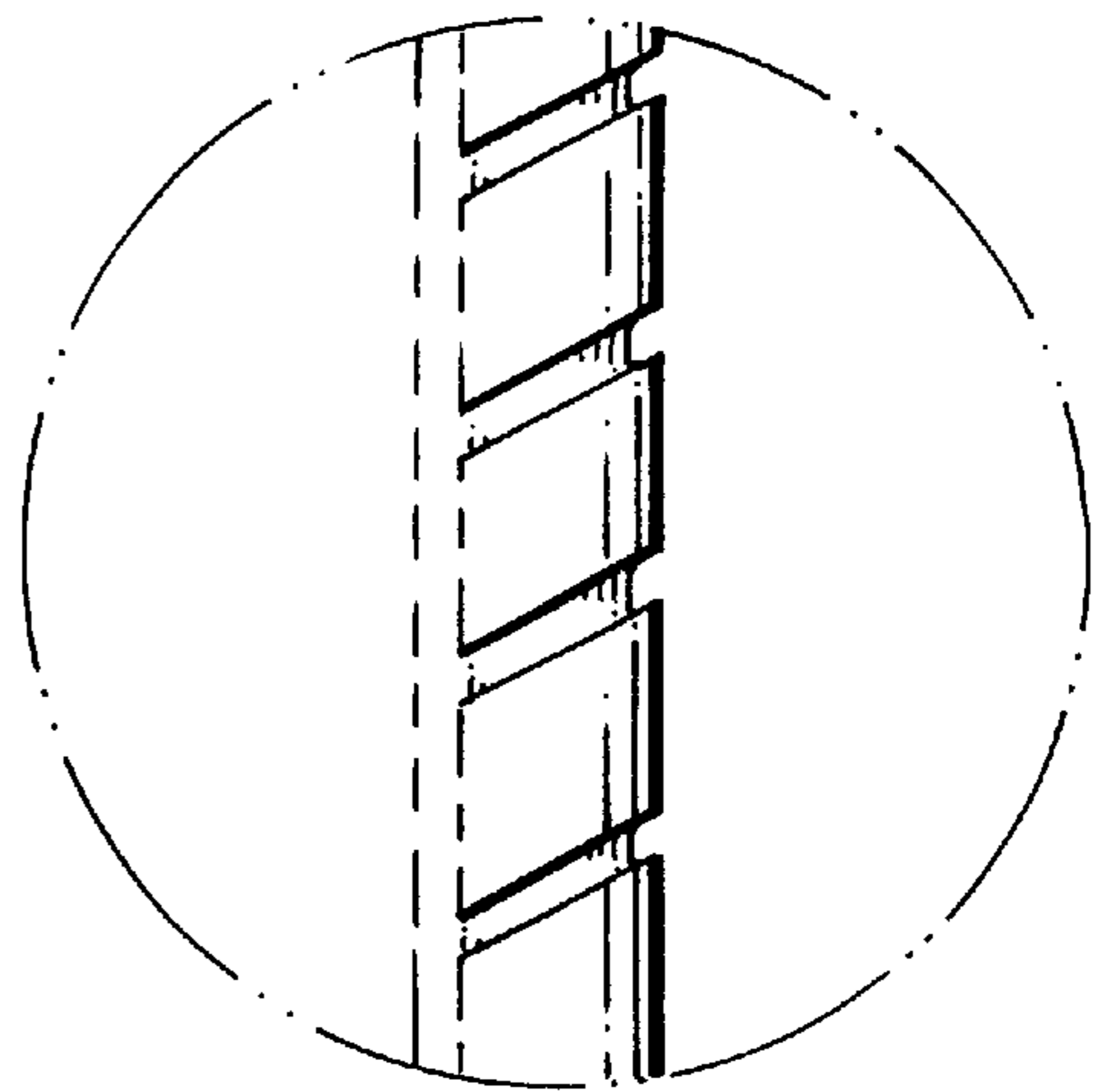


FIG. 3

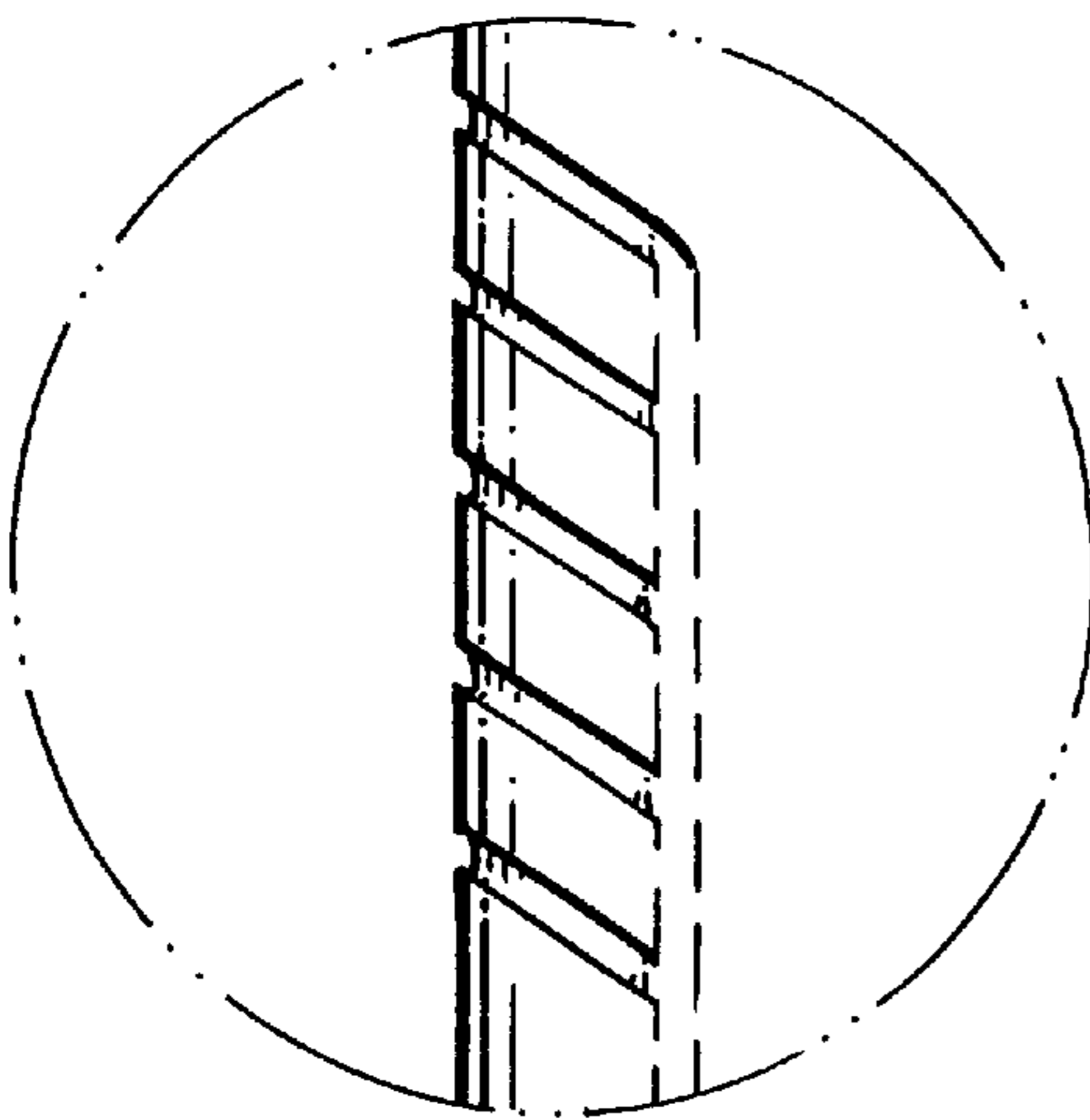


FIG. 7

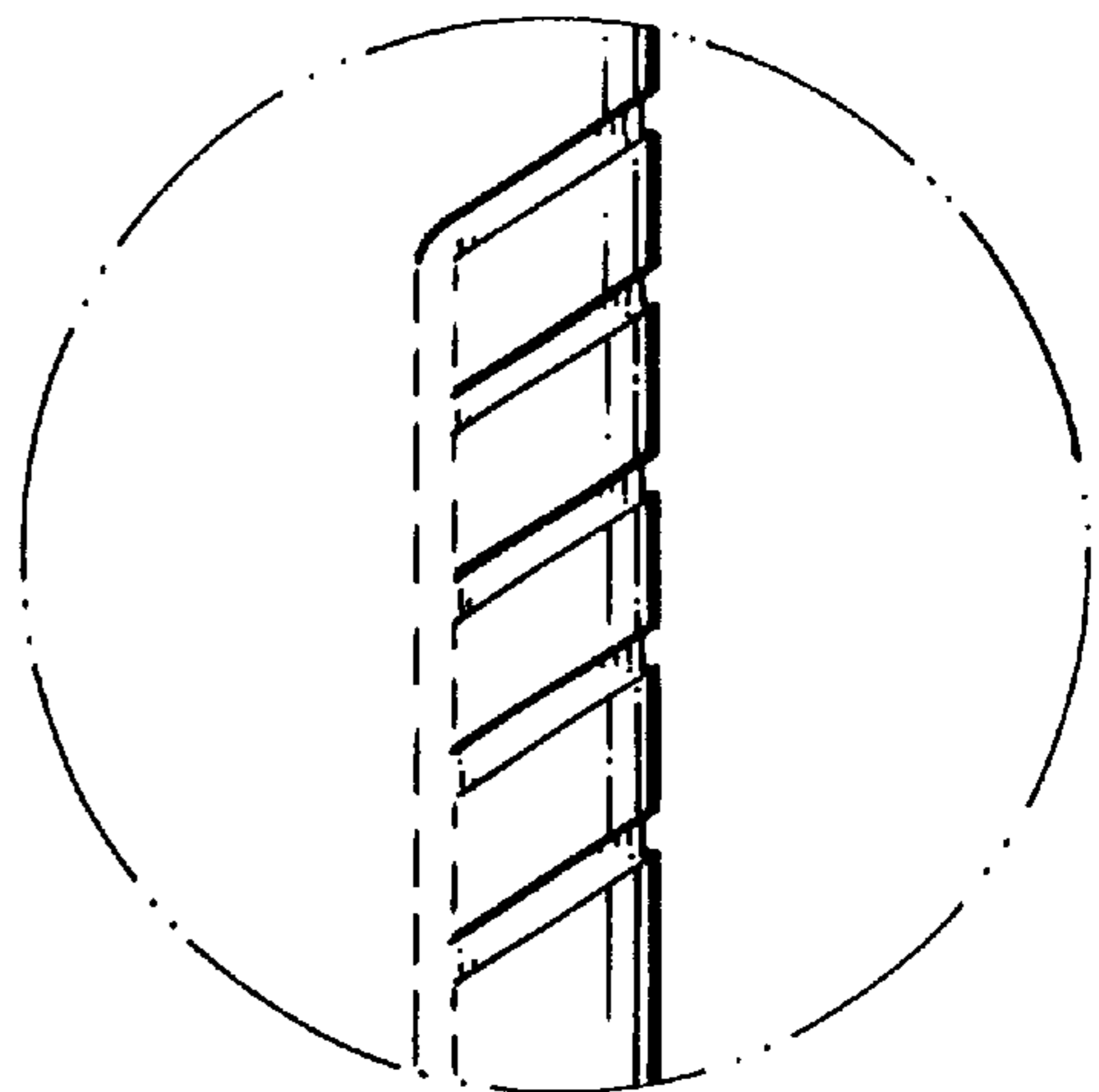


FIG. 6

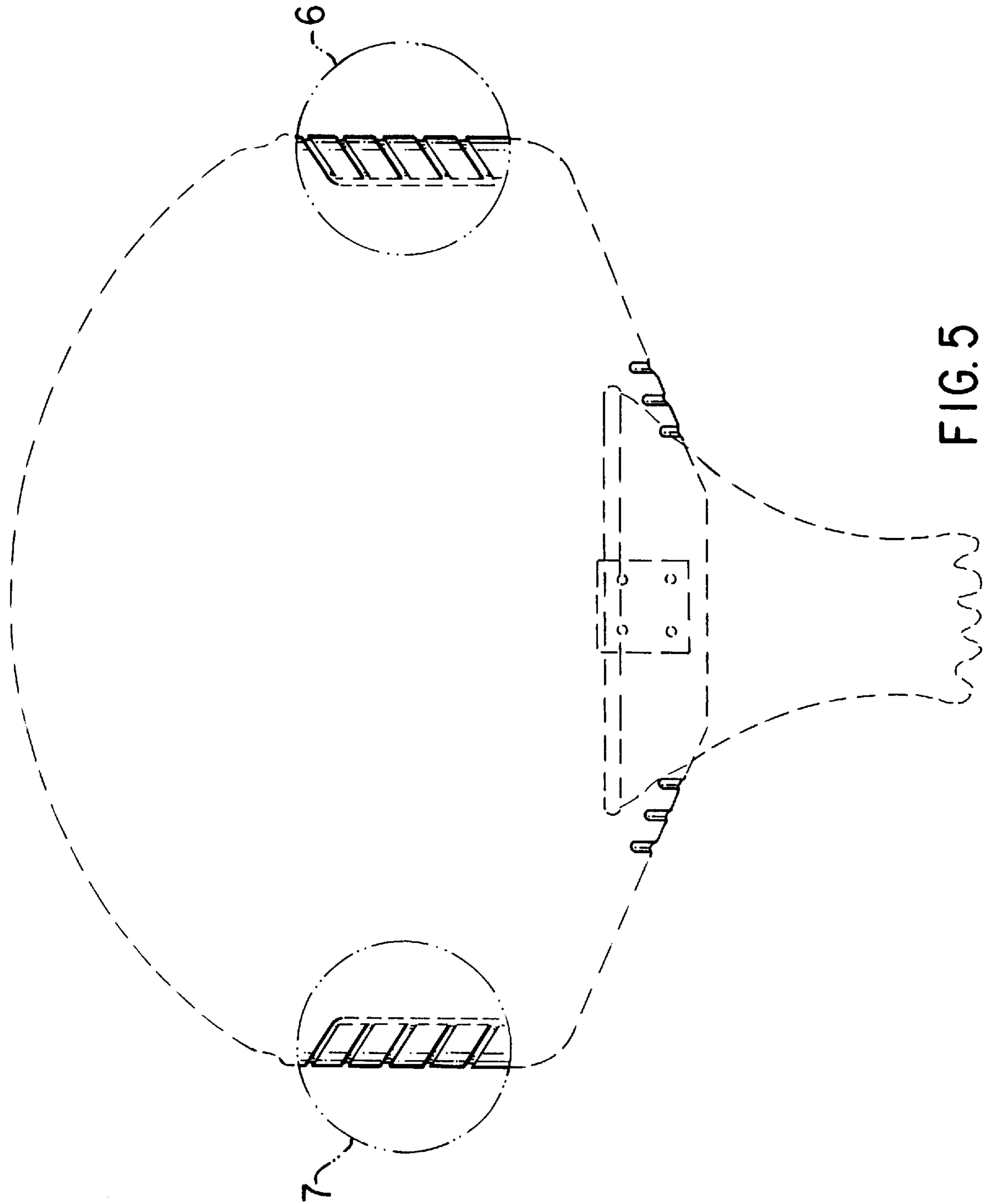


FIG. 5