



US00D445856S

(12) **United States Design Patent**
McCraw

(10) **Patent No.:** **US D445,856 S**

(45) **Date of Patent:** **** Jul. 31, 2001**

(54) **FINGER EXERCISER**

(76) Inventor: **Larry McCraw**, 2552 Delta Ave., Long Beach, CA (US) 90810

(**) Term: **14 Years**

(21) Appl. No.: **29/129,353**

(22) Filed: **Sep. 12, 2000**

(51) **LOC (7) Cl.** **21-02**

(52) **U.S. Cl.** **D21/684; D21/662**

(58) **Field of Search** D21/662, 684,
D21/692; 206/805; 482/121, 122, 123,
124, 125, 44, 47, 48

(56) **References Cited**

U.S. PATENT DOCUMENTS

D. 416,594 * 11/1999 Sardina D21/684
3,612,521 * 10/1971 Wendeborn 482/48

4,828,249 * 5/1989 Keating 482/48
5,054,816 * 10/1991 Rosengarten 206/805
5,062,625 * 11/1991 Vonk 482/48
5,467,897 * 11/1995 Williams 206/805
6,179,751 * 1/2001 Clears 482/48

* cited by examiner

Primary Examiner—Philip S. Hyder

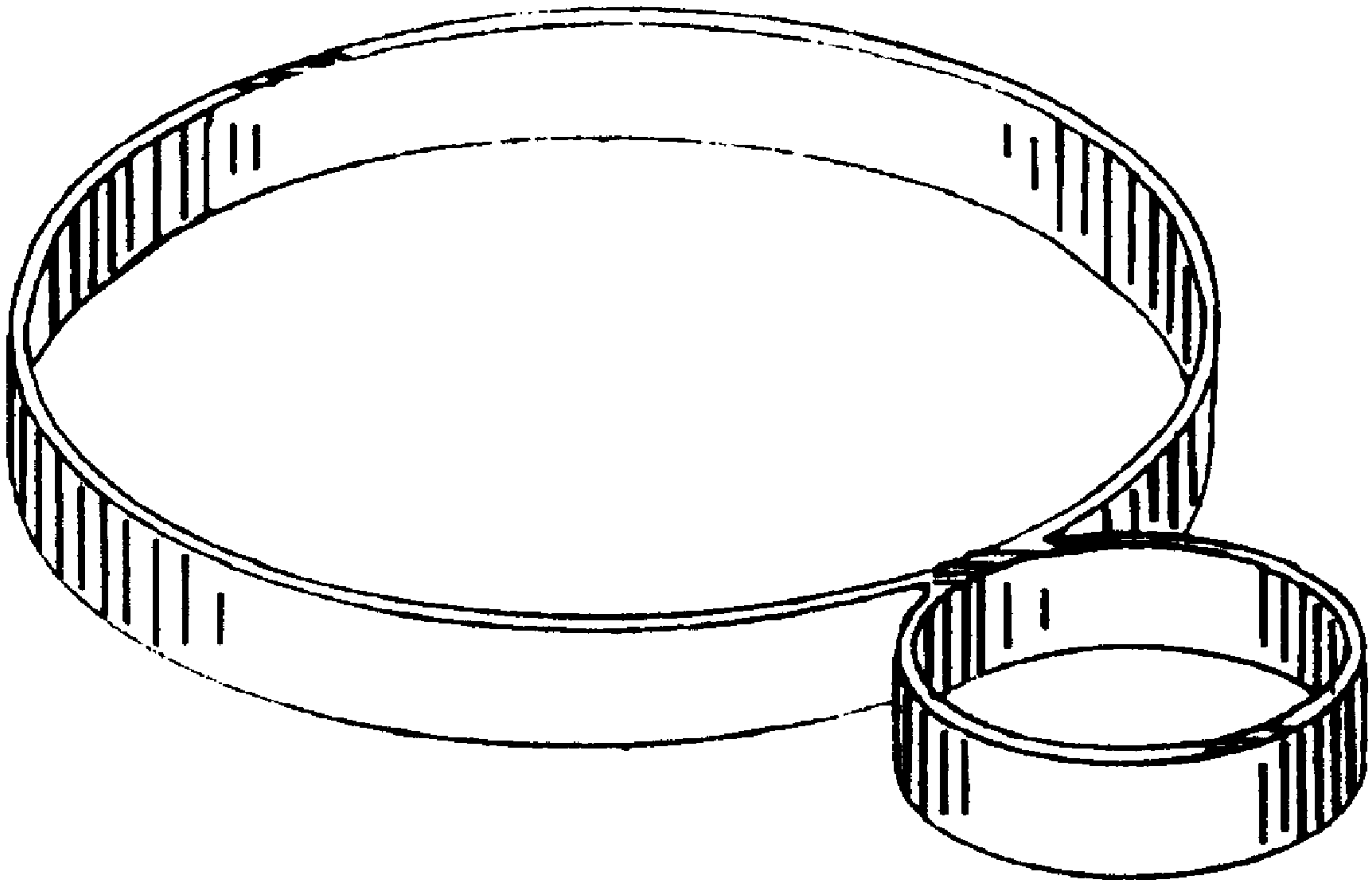
(57) **CLAIM**

The ornamental design for a finger exerciser, as shown and described.

DESCRIPTION

FIG. 1 is a perspective view of the invention;
FIG. 2 is a top view of the invention;
FIG. 3 is a front end view of the invention;
FIG. 4 is a left side view of the invention; and,
FIG. 5 is a right side view of the invention.

1 Claim, 1 Drawing Sheet



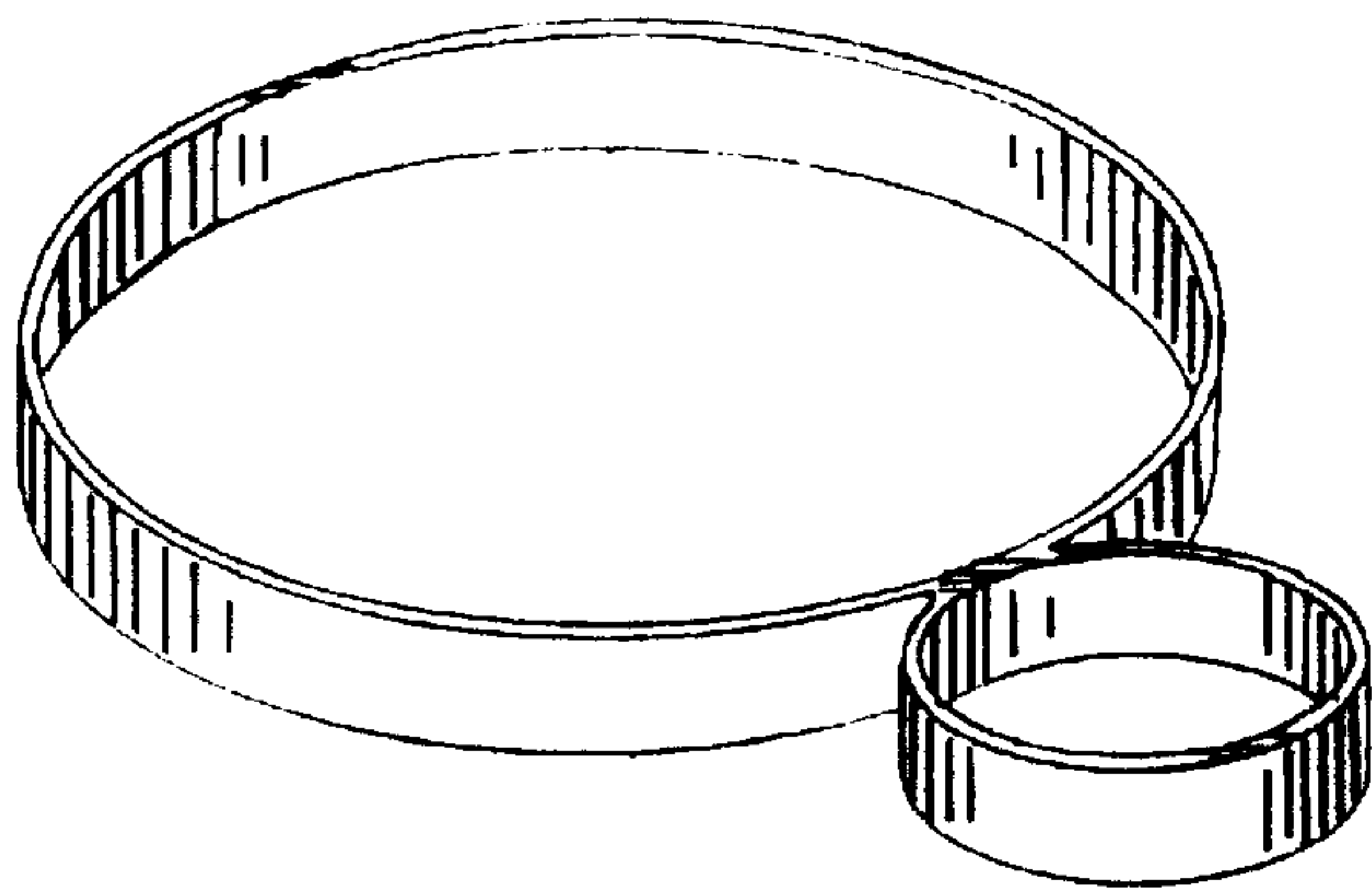


FIG. 1

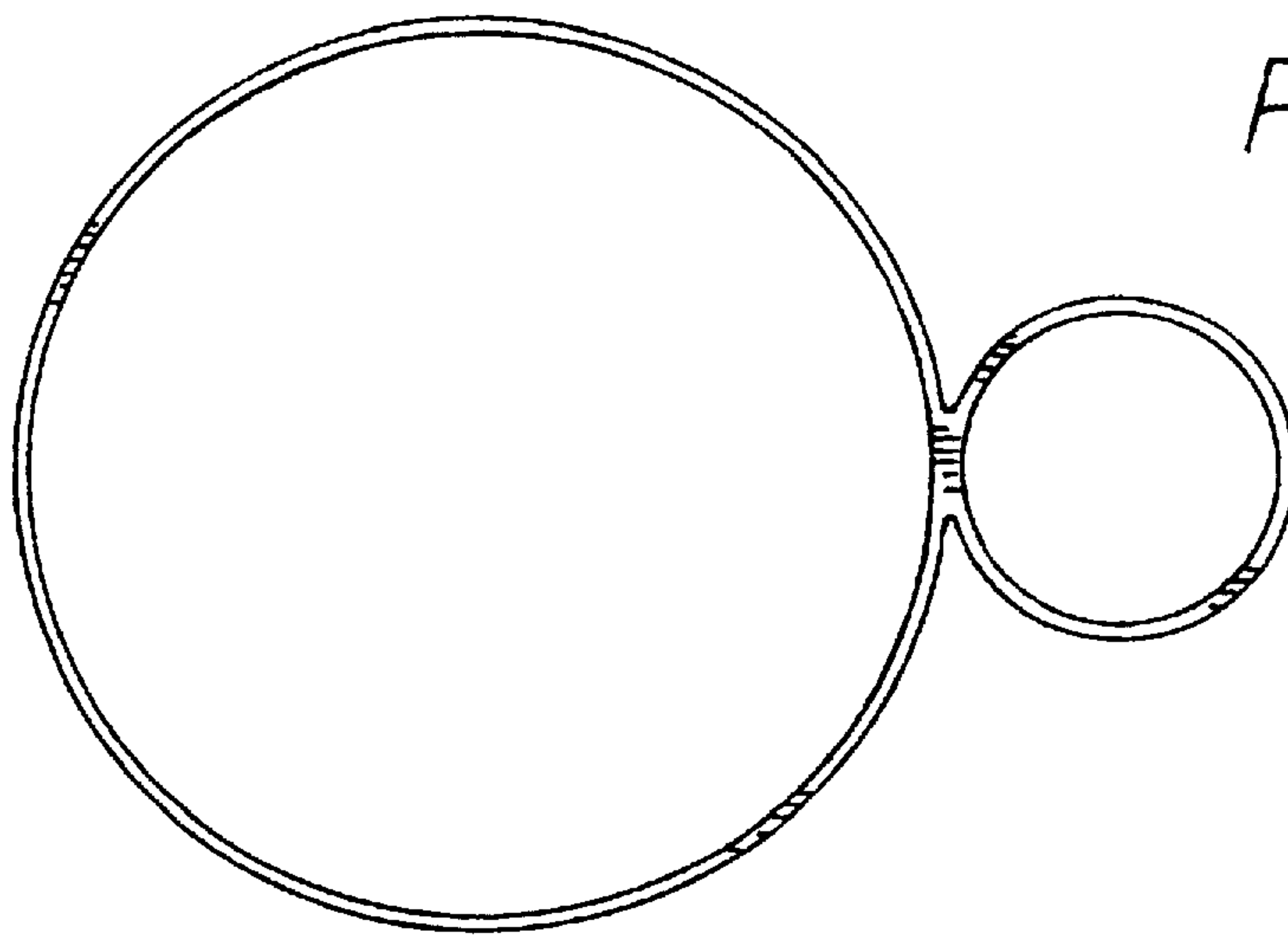


FIG. 2

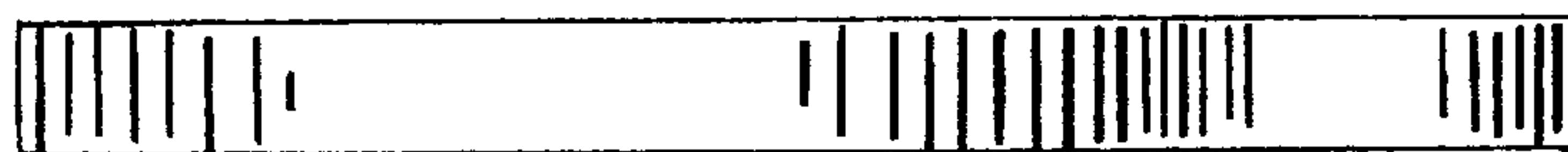


FIG. 3



FIG. 4

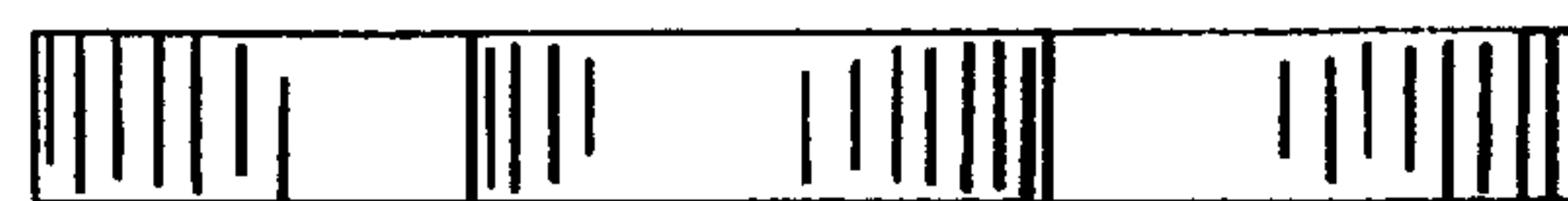


FIG. 5