



US00D445854S

(12) **United States Design Patent**  
**Harms et al.**

(10) **Patent No.:** **US D445,854 S**  
(45) **Date of Patent:** **\*\* Jul. 31, 2001**

- (54) **WEIGHT PLATE** 3,226,117 12/1965 Walklet .
- (75) Inventors: **Robert E. Harms; Louis Lien; Annie Wu**, all of Houston, TX (US) 3,482,835 12/1969 Dean .
- (73) Assignee: **USA Sports, Inc.**, Houston, TX (US) 3,572,702 3/1971 Dorn .
- (\*\*) Term: **14 Years** 3,771,785 11/1973 Speyer .
- (21) Appl. No.: **29/127,220** 3,796,431 3/1974 Sinyard .
- (22) Filed: **Aug. 1, 2000** 3,913,908 10/1975 Speyer .
- 3,971,555 7/1976 Mahnke .
- 4,079,932 3/1978 Schuetz .
- 4,199,140 \* 4/1980 Ferretti ..... 482/106
- 4,231,569 11/1980 Rae .
- 4,311,306 1/1982 Solloway .
- 4,369,968 1/1983 Price .
- 4,373,717 2/1983 Lambert, Jr. .

**Related U.S. Application Data**

(List continued on next page.)

- (62) Division of application No. 29/106,222, filed on Jun. 9, 1999, now Pat. No. Des. 428,947.
- (51) **LOC (7) Cl.** ..... **21-02**
- (52) **U.S. Cl.** ..... **D21/680; D21/681**
- (58) **Field of Search** ..... D21/662, 679, D21/680, 681, 682, 683, 684; 482/106, 107, 108, 92, 93

*Primary Examiner*—Philip S. Hyder  
(74) *Attorney, Agent, or Firm*—Nick A. Nichols, Jr.

(57) **CLAIM**

The ornamental design for a weight plate, as shown and described.

**DESCRIPTION**

FIG. 1 is a perspective view of a weight plate showing our new design;

FIG. 2 is a front view thereof, the opposite side being a mirror image;

FIG. 3 is a top view thereof, the opposite side being a mirror image;

FIG. 4 is a side view thereof, the opposite side being a mirror image;

FIG. 5 is a cross-sectional view of the weight plate shown in FIG. 2;

FIG. 6 is a perspective view of a modified embodiment thereof;

FIG. 7 is a front view of the weight plate shown in FIG. 6, the opposite side being a mirror image;

FIG. 8 is a top view of the weight plate shown in FIG. 7, the opposite side being a mirror image;

FIG. 9 is a side view of the weight plate shown in FIG. 7, the opposite side being a mirror image; and,

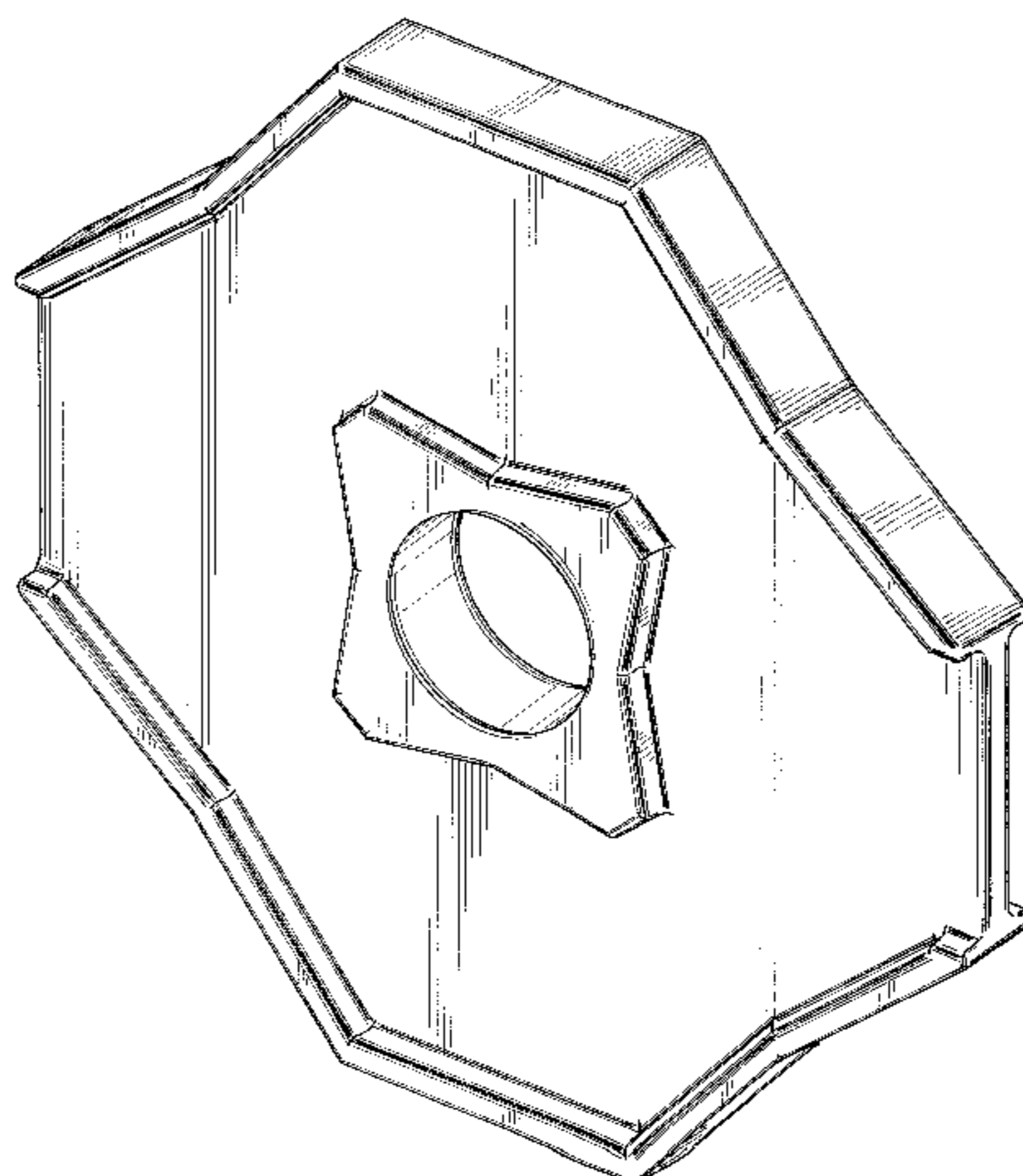
FIG. 10 is a cross-sectional view of the weight plate shown in FIG. 7.

(56) **References Cited**

**U.S. PATENT DOCUMENTS**

D. 194,042	11/1962	Guthormsen .....	D21/680
D. 216,517	1/1970	Dorn .....	D21/680
D. 274,283	6/1984	Wright .....	D21/680
D. 278,358	4/1985	Zwilling .....	D21/680
D. 299,373 *	1/1989	Parker et al. ....	D21/682
D. 309,763	8/1990	Solloway .....	D21/678
D. 354,322 *	1/1995	Vodhanel, Jr. ....	D21/681
D. 355,007 *	1/1995	Rojas et al. ....	D21/681
D. 377,202	1/1997	Rohan .....	D21/679
D. 405,484	2/1999	Rojas et al. ....	D21/681
D. 421,076 *	2/2000	Lincir .....	D21/681
D. 433,720 *	11/2000	Rojas et al. ....	D21/981
D. 433,721 *	11/2000	Rojas et al. ....	D21/681
D. 434,090 *	11/2000	Wallace et al. ....	D21/681
1,047,212	12/1912	Hamilton .	
2,244,351	6/1941	Venables .	
2,447,218	8/1948	Trzesniewski .	
2,676,802	4/1954	O'Brien .	
2,796,269	6/1957	Watson .	
3,171,652	3/1965	Newman .	

**1 Claim, 4 Drawing Sheets**



# US D445,854 S

Page 2

---

U.S. PATENT DOCUMENTS					
			4,854,575	8/1989	Wilson et al. .
			4,880,229	11/1989	Broussard .
4,455,020	6/1984	Schnell .	5,137,502	8/1992	Anastasi ..... 482/106
4,482,151	11/1984	Zwilling .	5,464,379	11/1995	Zarecky ..... 482/108
4,515,364	5/1985	Rotella .	5,573,484	11/1996	Cardenter ..... 482/108
4,625,959	12/1986	Schleffendorf .	5,741,206 *	4/1998	Anastasi ..... 482/106
4,673,179	6/1987	Pengler .	5,853,355	12/1998	Standish ..... 482/106
4,756,526	7/1988	Broussard .			
4,817,944	4/1989	Anderson et al. .			
4,828,256	5/1989	Lee .			

\* cited by examiner

*FIG. 1*

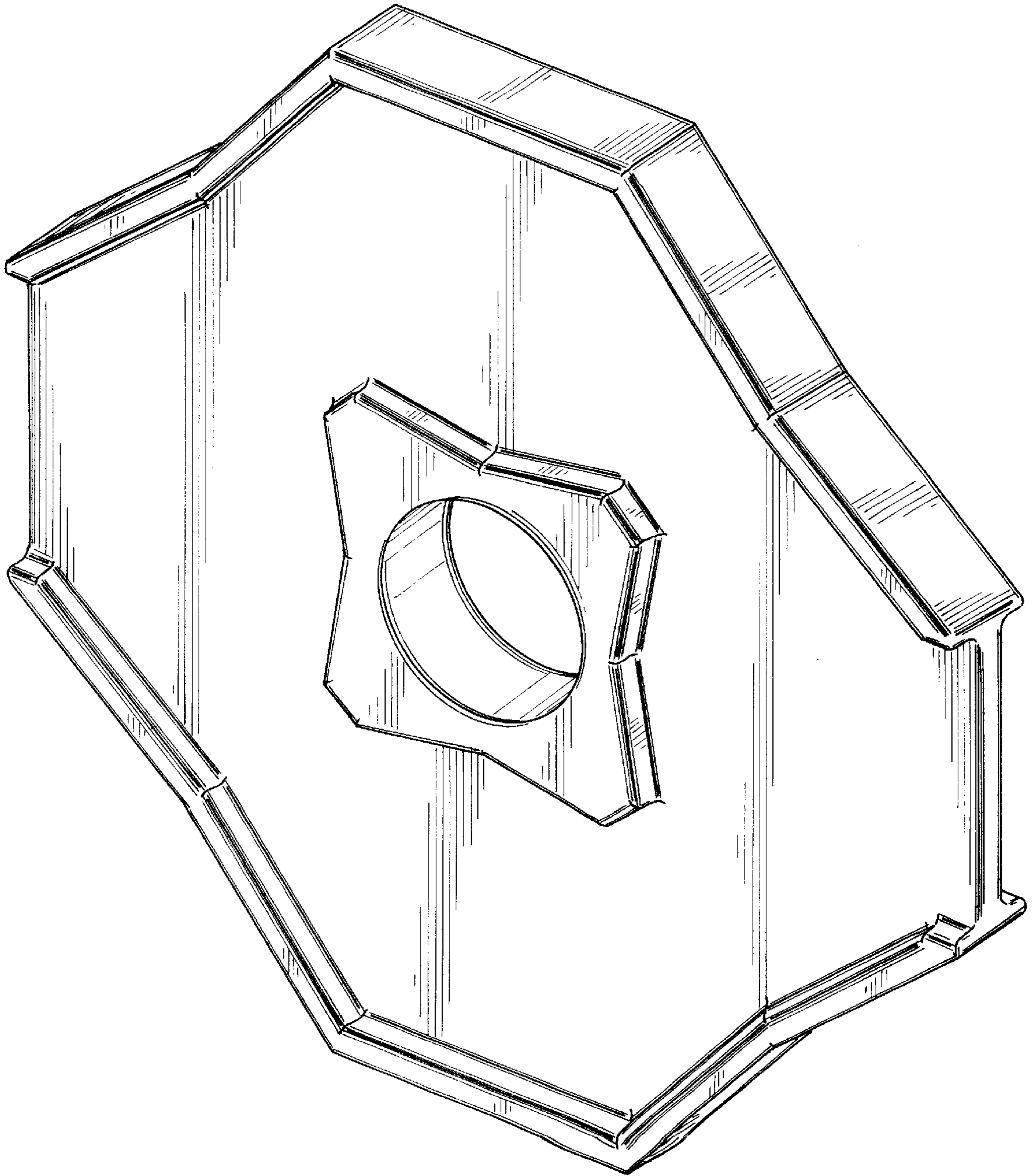


FIG. 3



FIG. 2

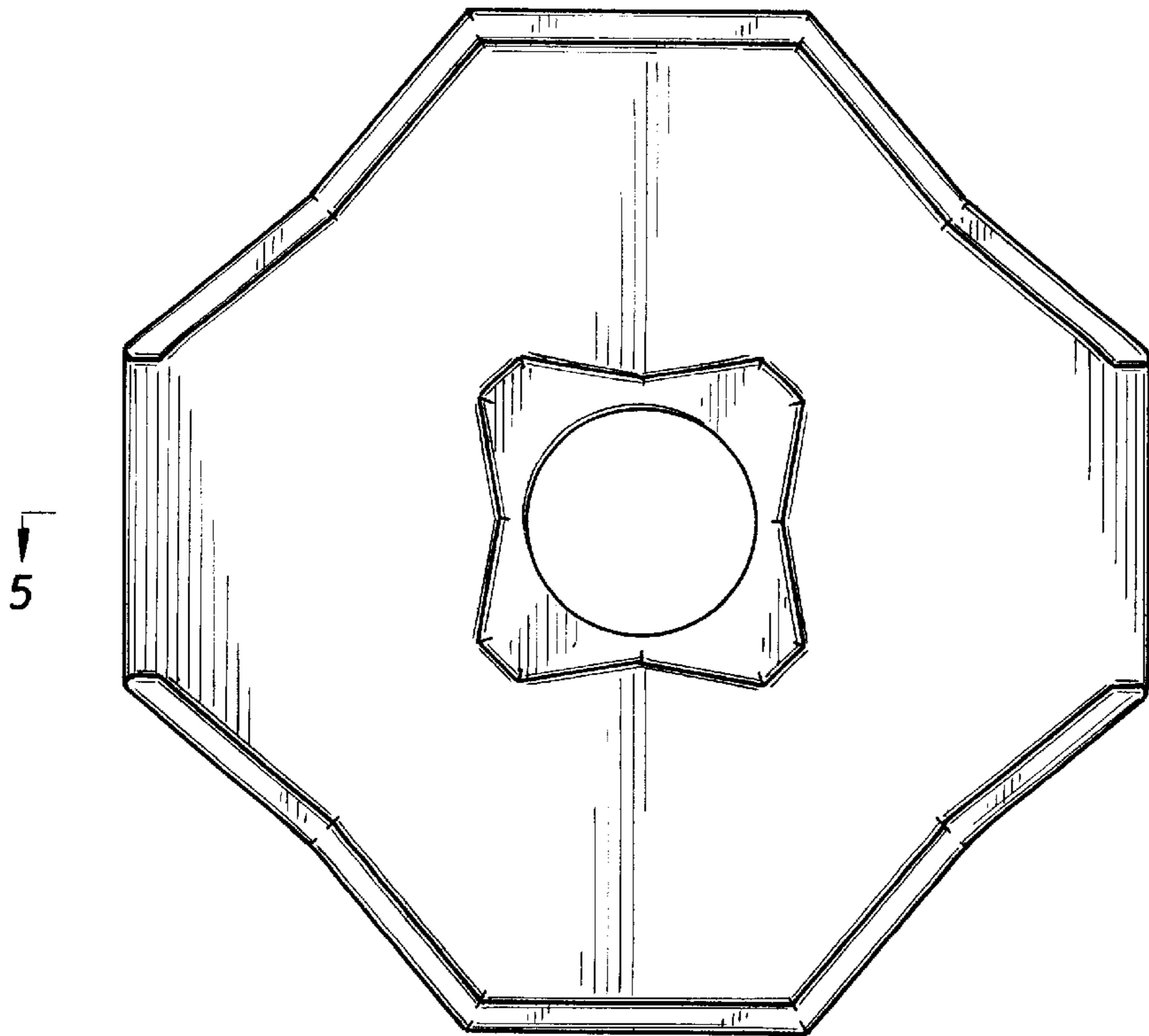


FIG. 4

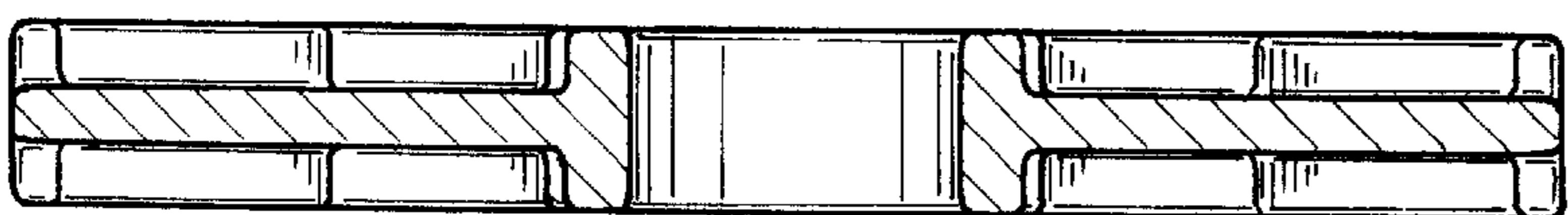
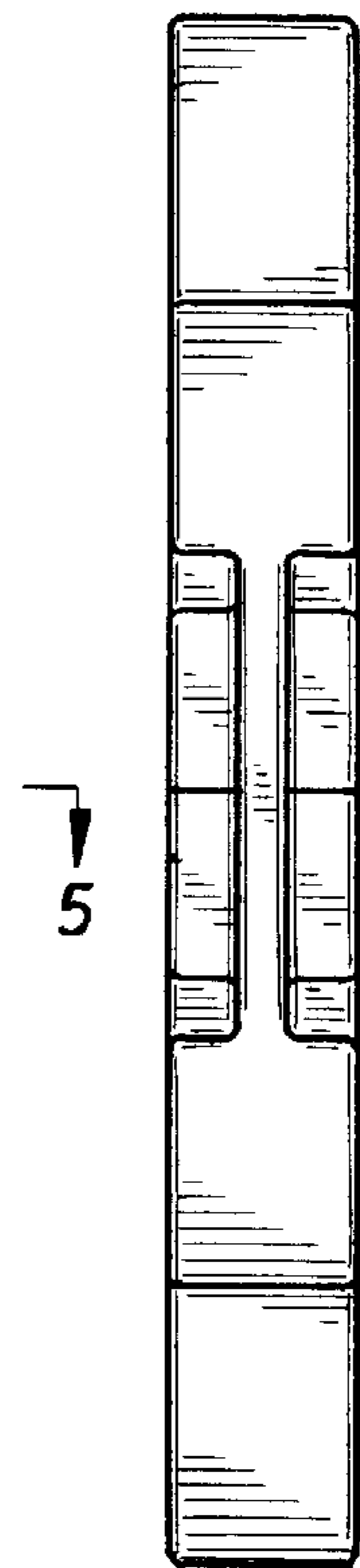


FIG. 5

FIG. 6

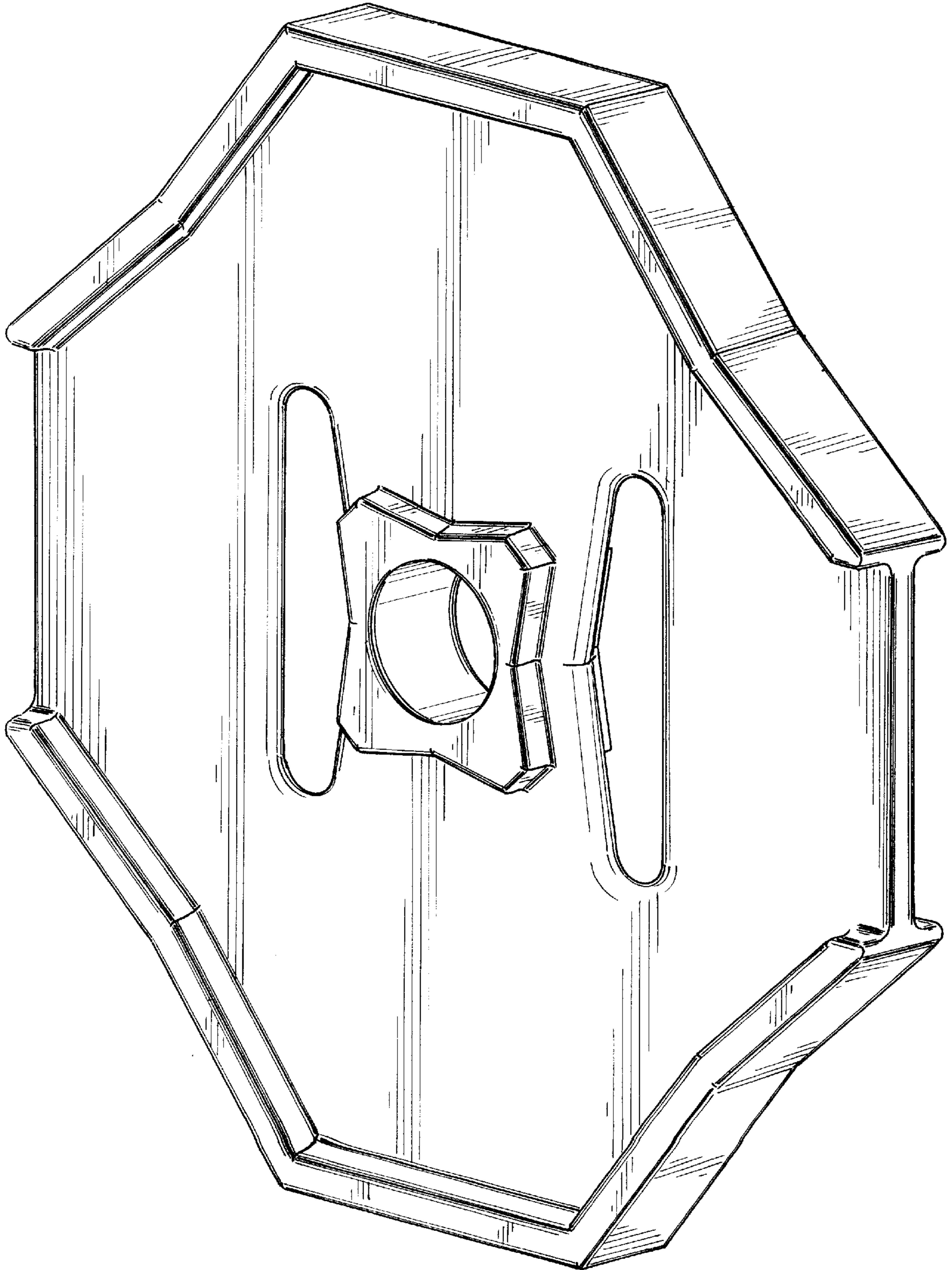


FIG. 8

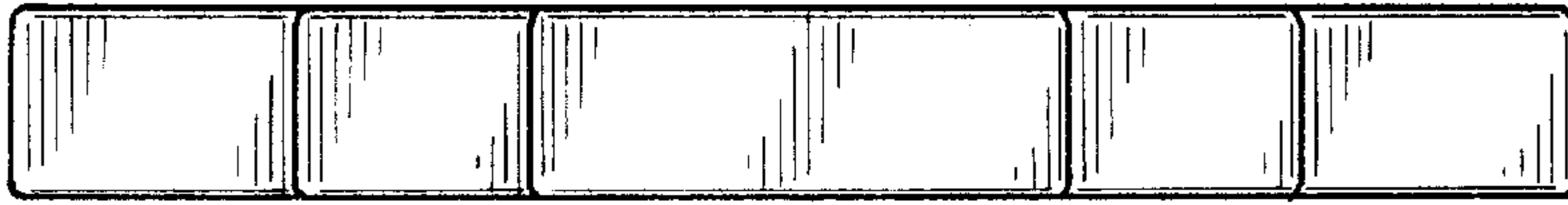


FIG. 7

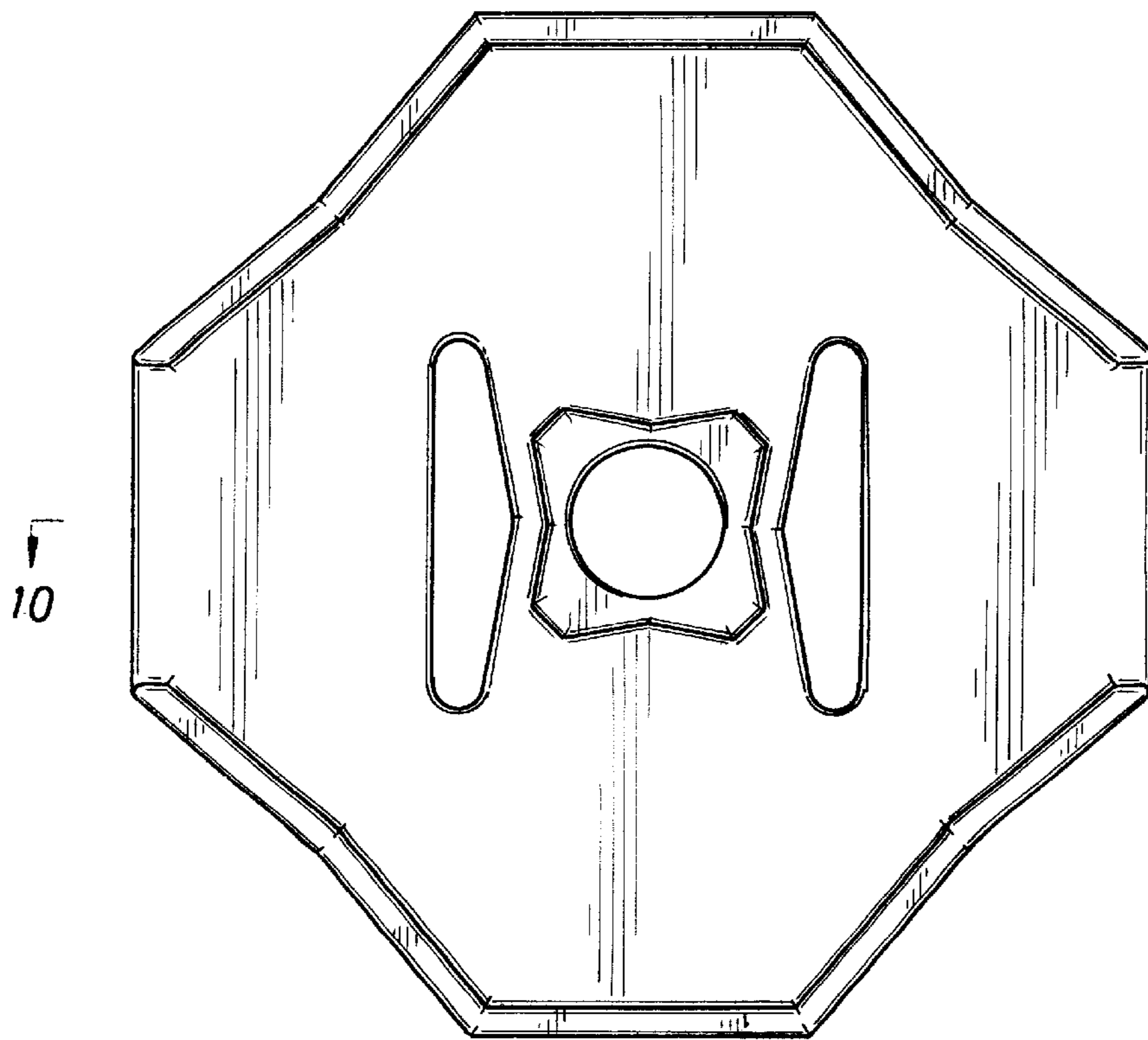


FIG. 9

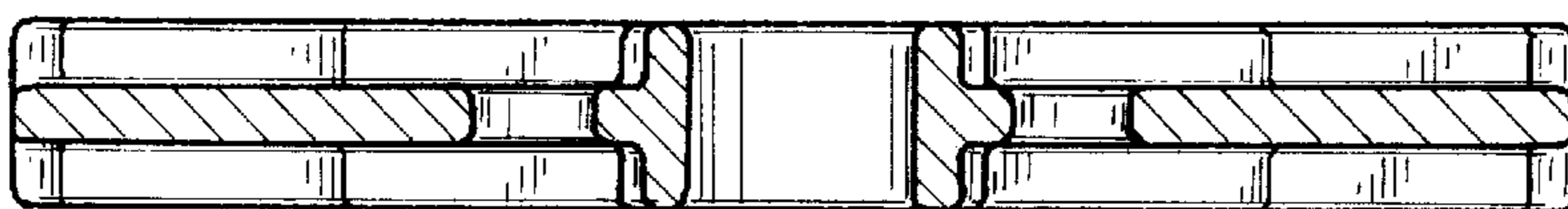
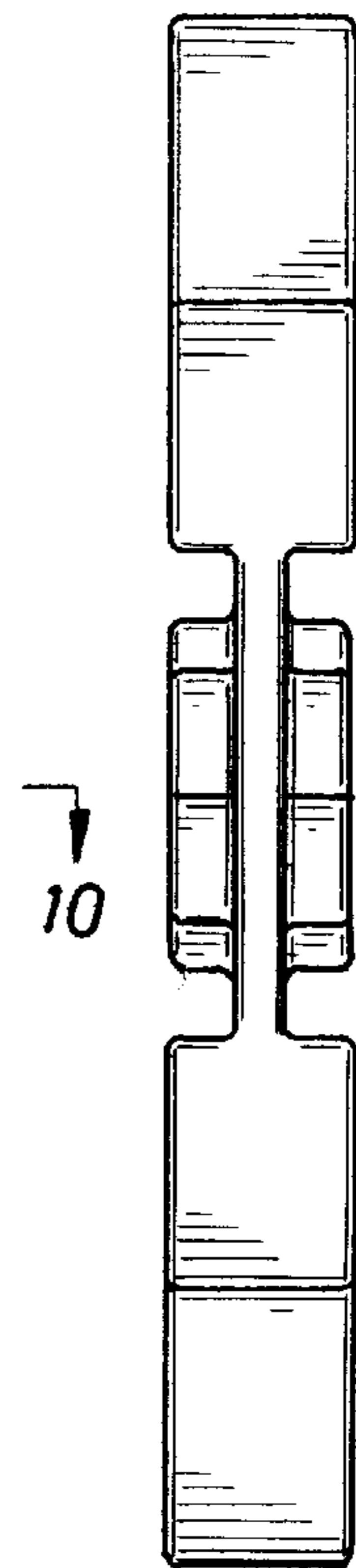


FIG. 10