



US00D445845S

(12) **United States Design Patent**  
**Tse**

(10) **Patent No.:** **US D445,845 S**

(45) **Date of Patent:** **\*\* Jul. 31, 2001**

(54) **TOY VEHICLE**

D. 258,457 \* 3/1981 Pape ..... D21/555  
3,738,057 \* 6/1973 Ogasawara ..... 446/425

(75) **Inventor:** **Wai Keung Tse, Chaiwan (HK)**

**OTHER PUBLICATIONS**

(73) **Assignee:** **Wah Hing Toys Development Co., Ltd., Kowloon (HK)**

Hong Kong Toys, P 108, Feb. 1997.\*

(\*\*) **Term:** **14 Years**

\* cited by examiner

(21) **Appl. No.:** **29/134,674**

*Primary Examiner*—Raphael Barkai

(22) **Filed:** **Dec. 28, 2000**

(74) *Attorney, Agent, or Firm*—Leydig, Voit & Mayer, Ltd.

(51) **LOC (7) Cl.** ..... **21-01**

(52) **U.S. Cl.** ..... **D21/555**

(58) **Field of Search** ..... D21/555, 552,  
D21/434, 580; D12/13; 446/470, 471, 440,  
425, 426, 427, 432; 280/87.01, 87.021;  
290/177; 169/24

(57) **CLAIM**

The ornamental design for a toy vehicle, as shown and described.

**DESCRIPTION**

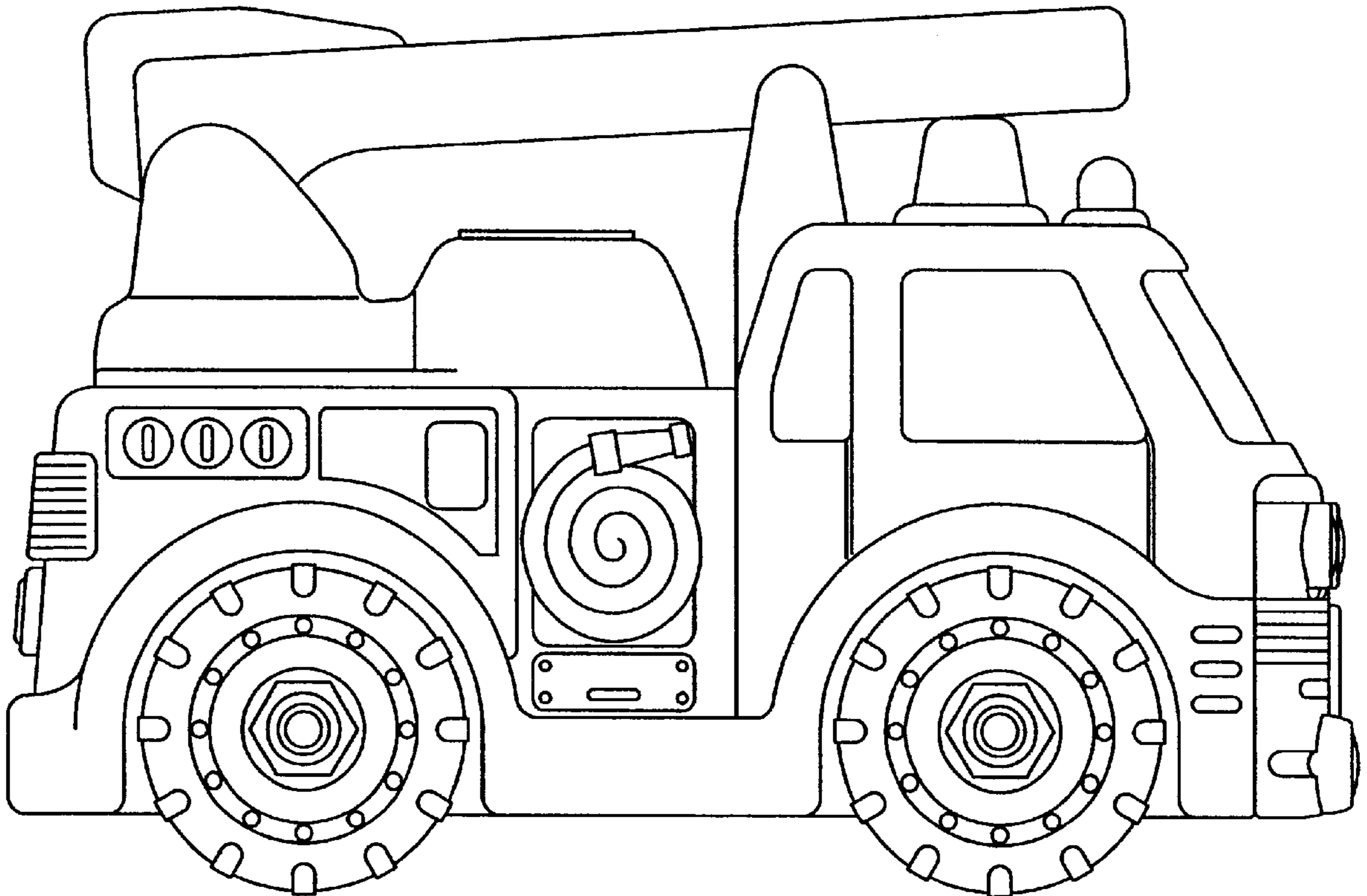
FIG. 1 is a front end elevational view of a toy vehicle showing my new design;  
FIG. 2 is a rear end elevational view thereof;  
FIG. 3 is a right side elevational view thereof;  
FIG. 4 is a left side elevational view thereof;  
FIG. 5 is a top plan view thereof; and,  
FIG. 6 is a bottom plan view thereof.

(56) **References Cited**

**U.S. PATENT DOCUMENTS**

D. 175,097 \* 7/1955 Troche ..... D12/13  
D. 201,842 \* 8/1965 Douglas ..... D21/555  
D. 210,229 \* 2/1968 Genin ..... D21/555

**1 Claim, 4 Drawing Sheets**



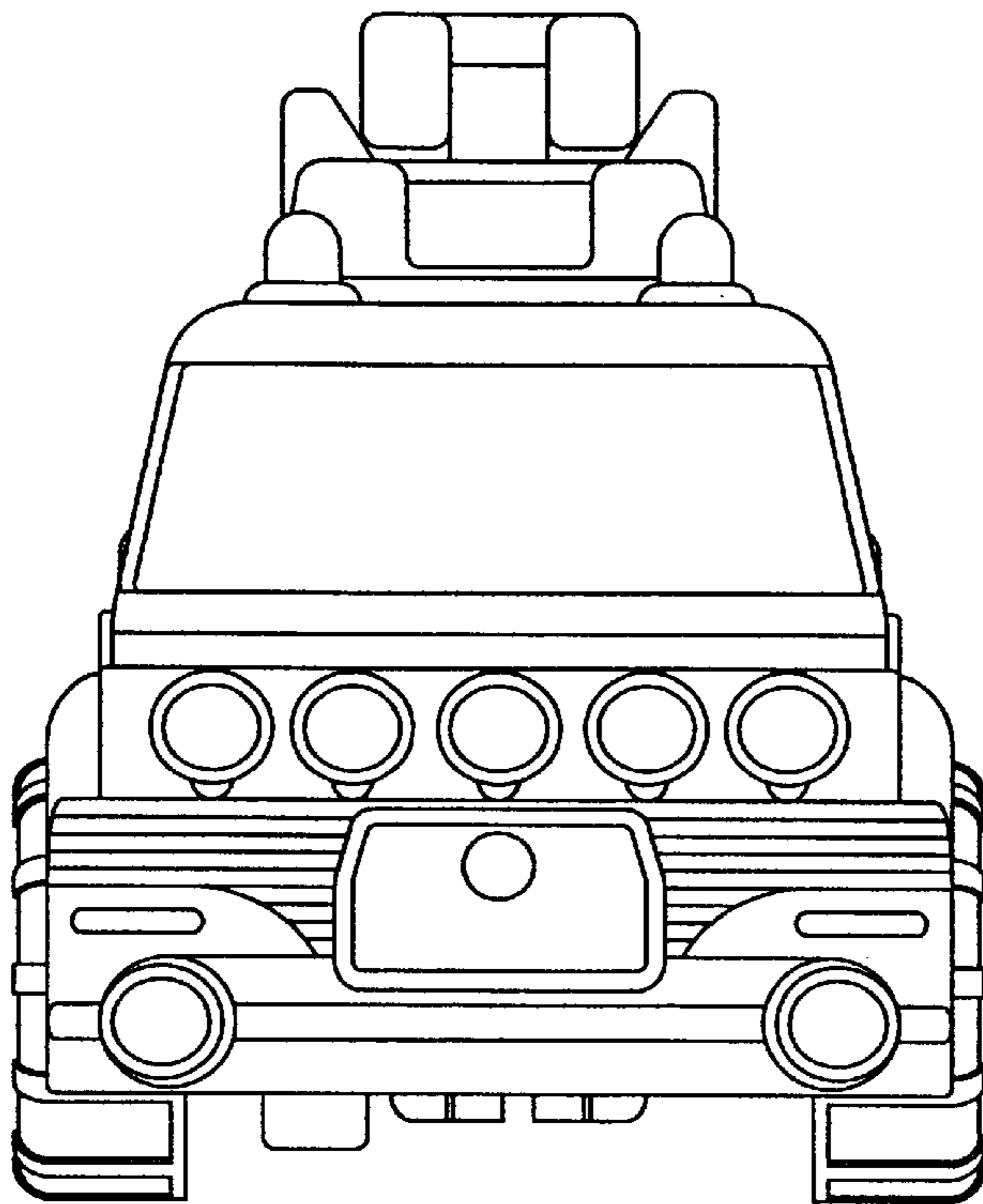


FIG. 1

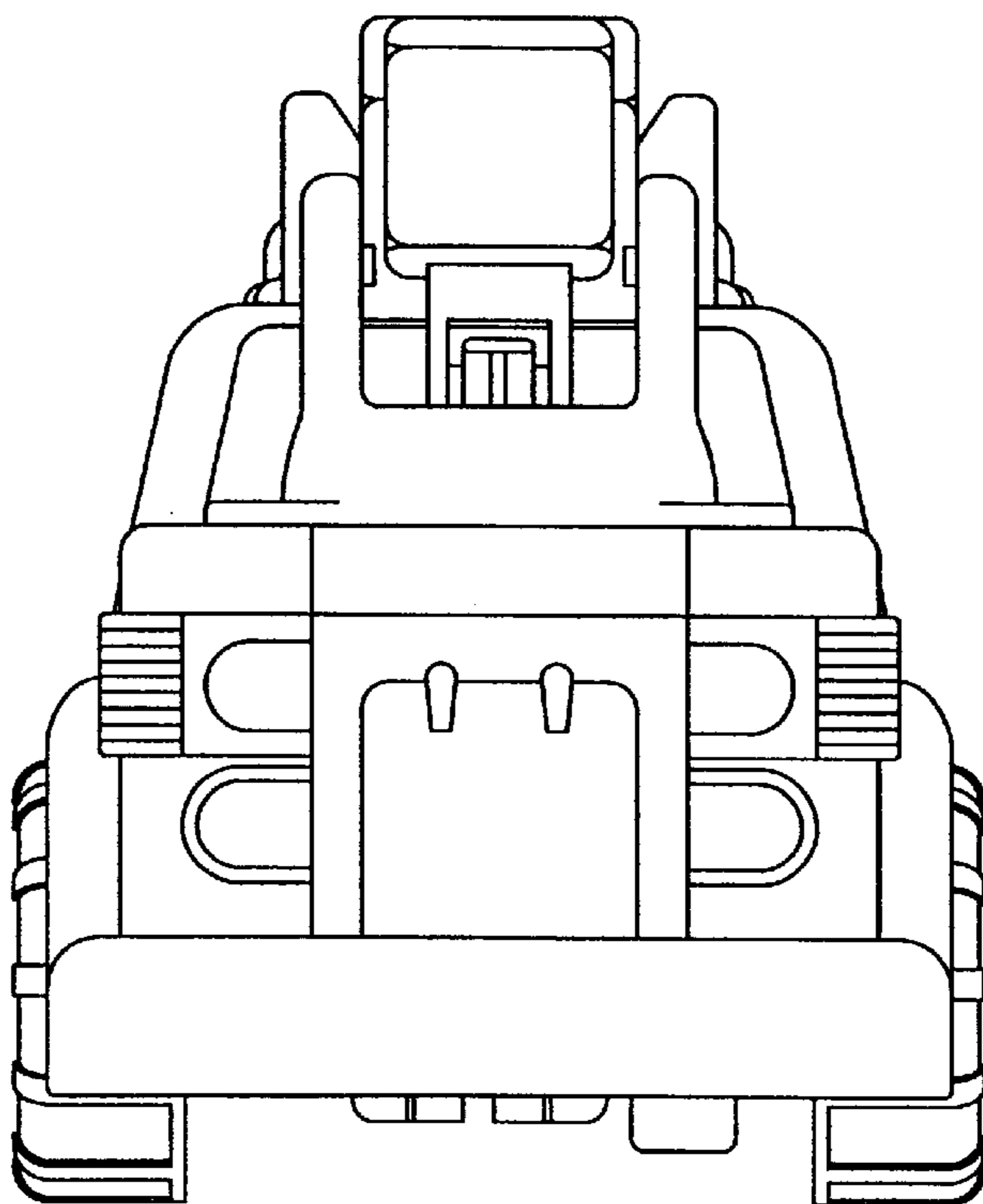


FIG. 2

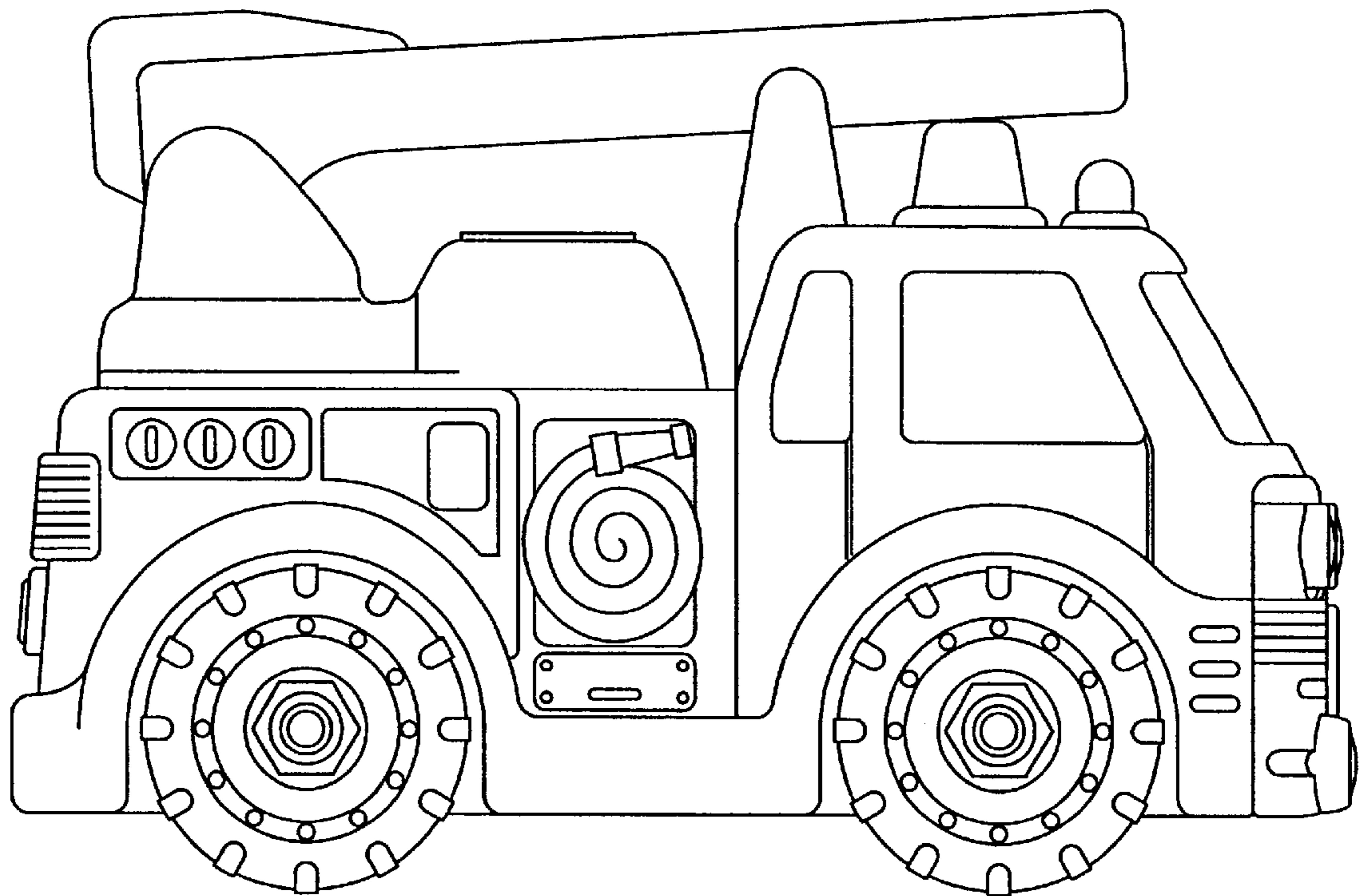


FIG. 3

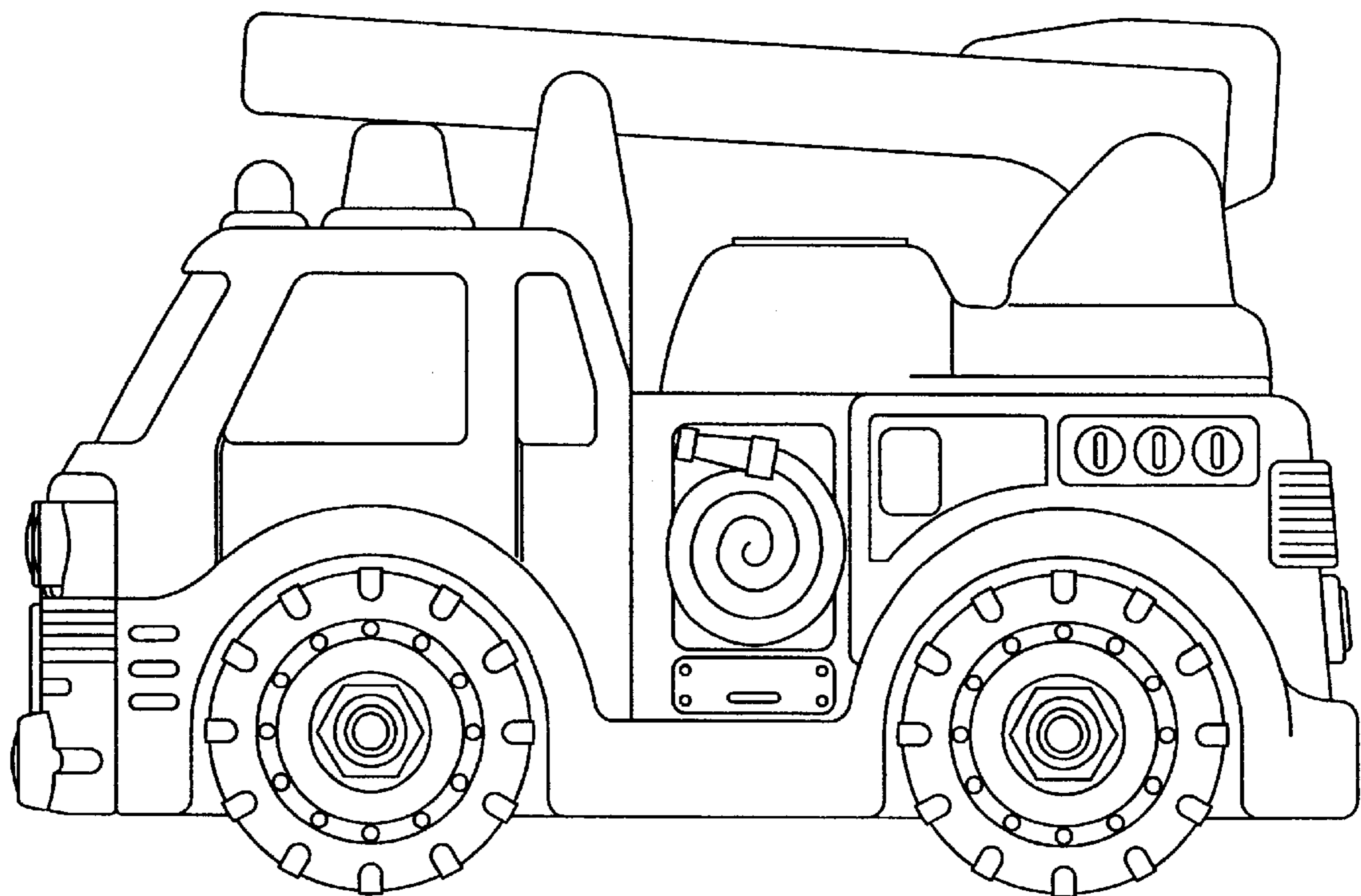


FIG. 4

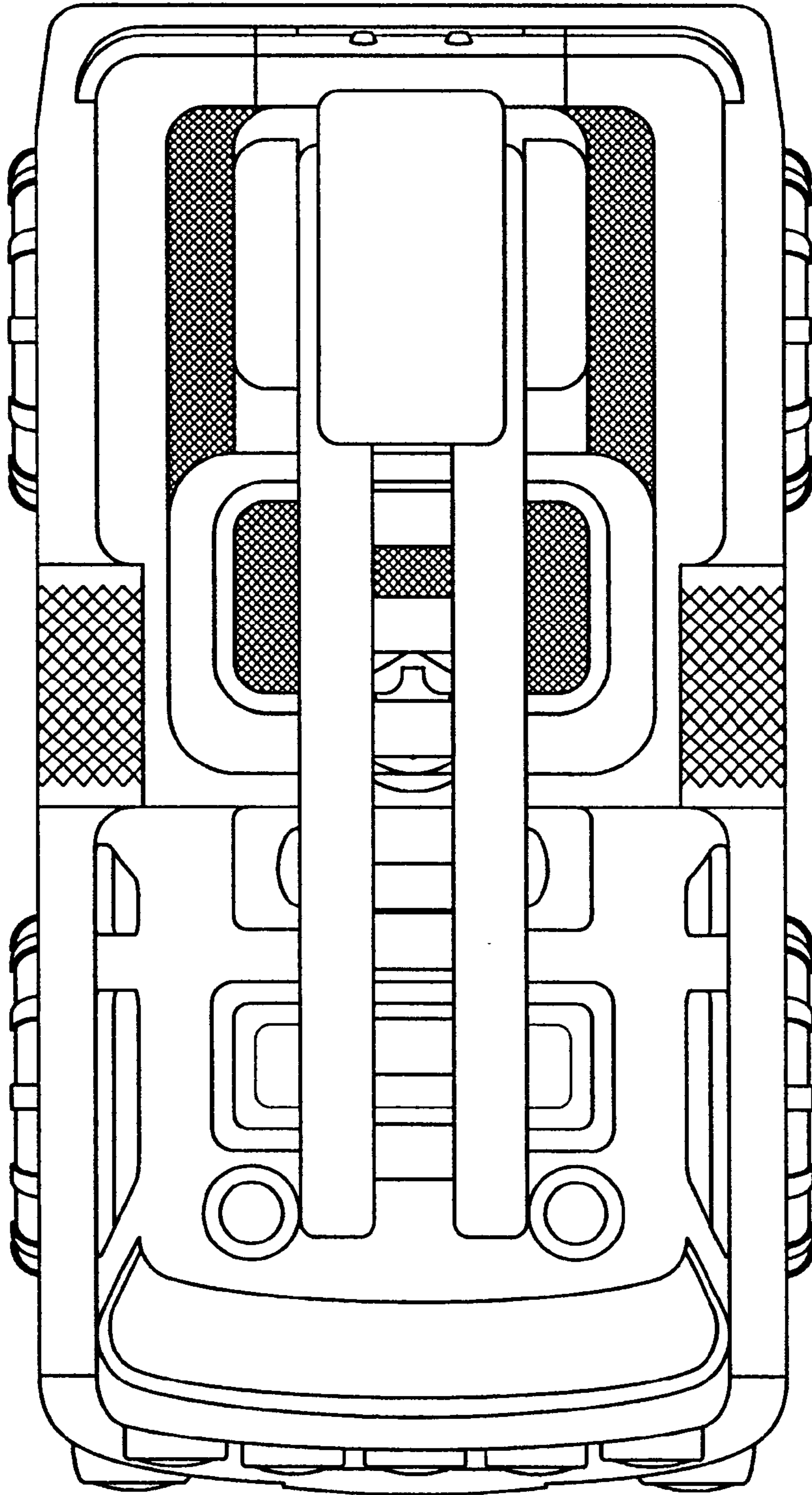


FIG. 5



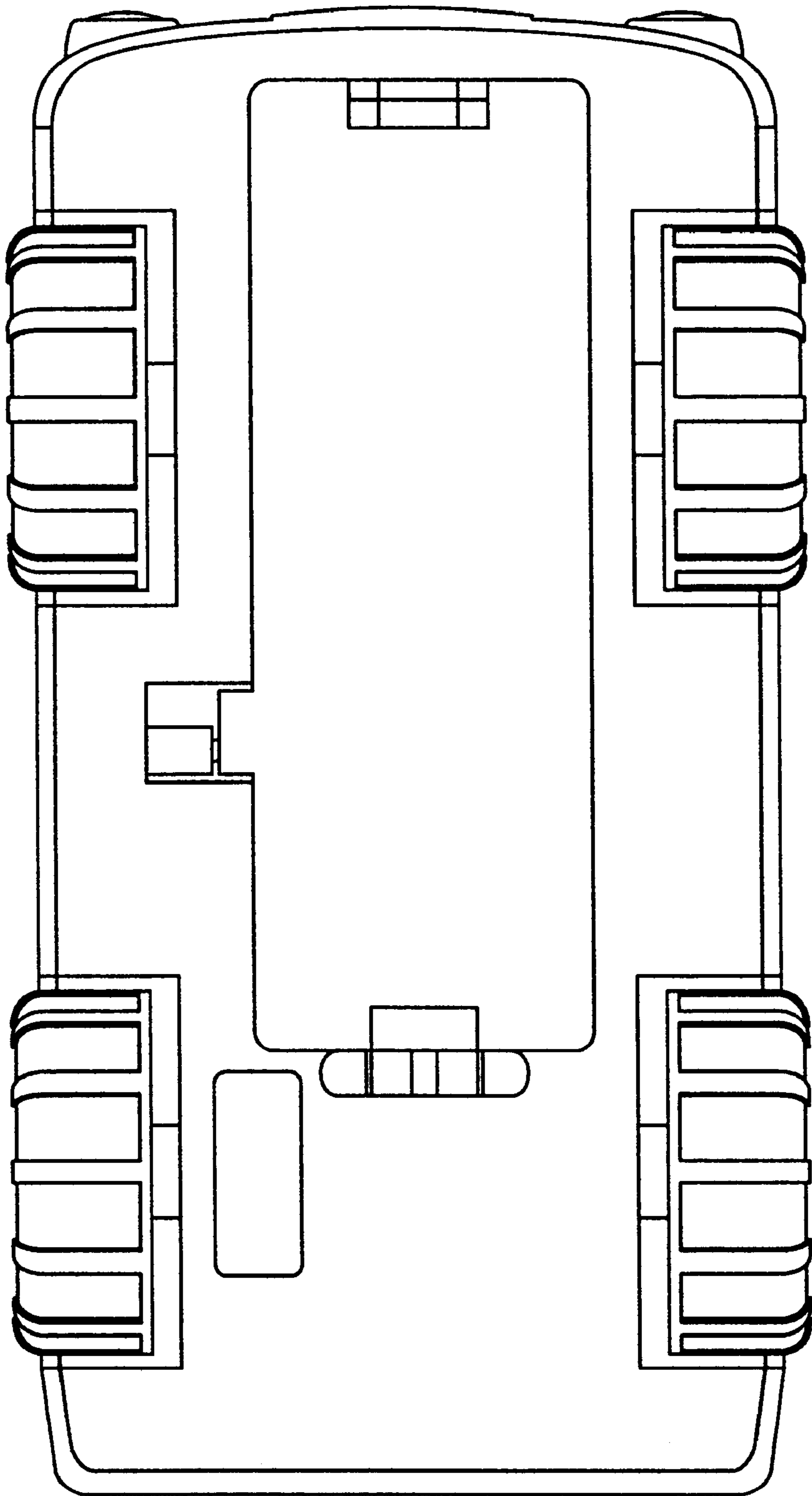


FIG. 6