



US00D445844S

(12) **United States Design Patent**
Tse

(10) **Patent No.:** **US D445,844 S**

(45) **Date of Patent:** **** Jul. 31, 2001**

(54) **TOY VEHICLE**

4,696,517 * 9/1987 Nagano 446/428

(75) **Inventor:** **Wai Keung Tse**, Chaiwan (HK)

OTHER PUBLICATIONS

(73) **Assignee:** **Wah Hing Toys Development Co., Ltd.**, Kowloon (HK)

Hong Kong Toys, p. 108, Feb. 1997.*
Tomy Catalog, P9, '84.*

(**) **Term:** **14 Years**

* cited by examiner

(21) **Appl. No.:** **29/134,673**

Primary Examiner—Raphael Barkai
(74) *Attorney, Agent, or Firm*—Leydig, Voit & Mayer, Ltd.

(22) **Filed:** **Dec. 28, 2000**

(57) **CLAIM**

(51) **LOC (7) Cl.** **21-01**

The ornamental design for a toy vehicle, as shown and described.

(52) **U.S. Cl.** **D21/554**

(58) **Field of Search** D21/554, 552,
D21/434, 580; D12/15; 446/424-428, 470,
471, 440, 465, 456; 280/87.01, 87.021

DESCRIPTION

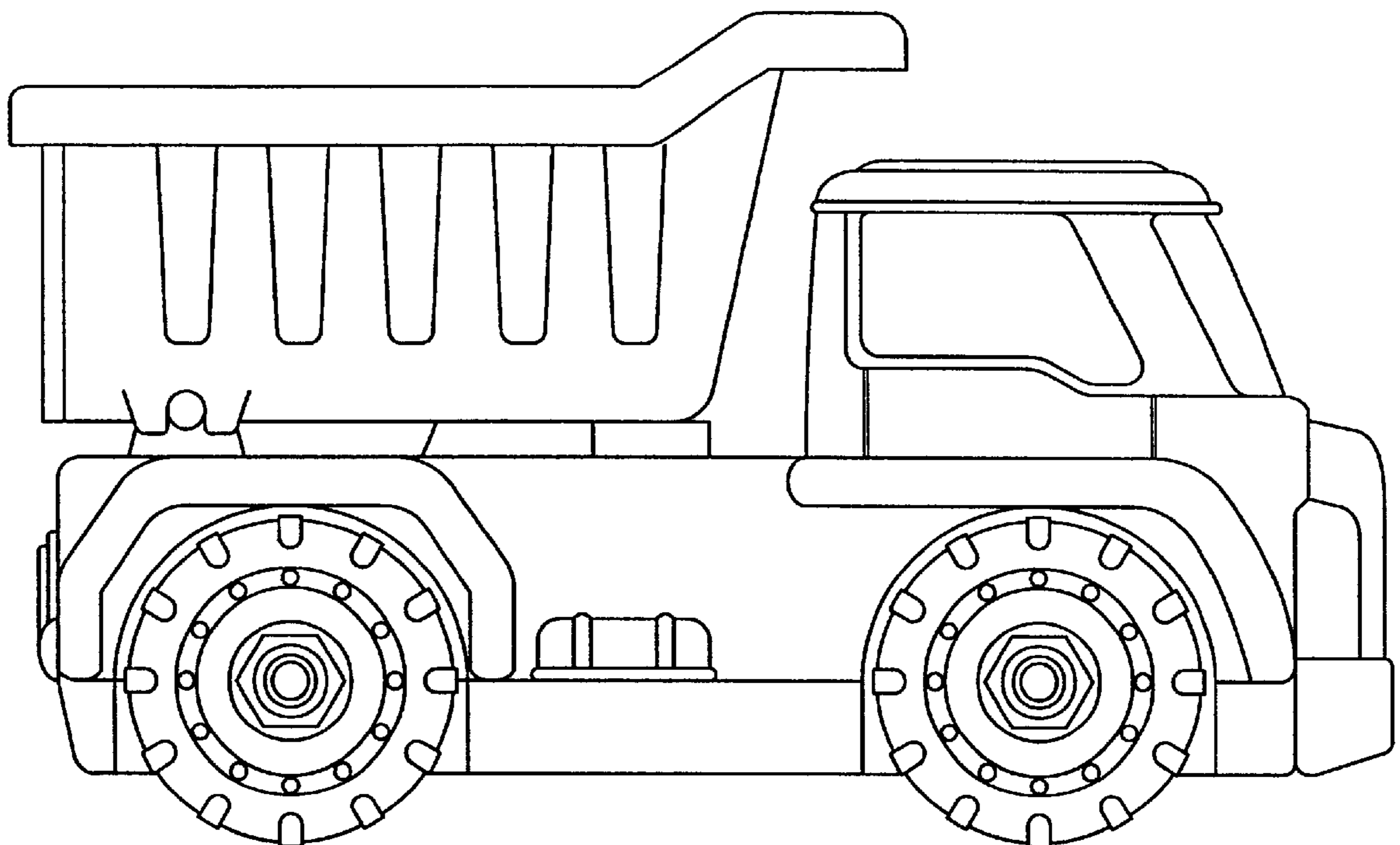
(56) **References Cited**

U.S. PATENT DOCUMENTS

- D. 227,283 * 6/1973 Ogasawara D21/554
- D. 289,069 * 3/1987 Ohno D21/580
- D. 289,309 * 4/1987 Wilkes D21/554
- D. 416,952 * 11/1999 Wei D21/554
- 3,711,990 * 1/1973 Pfeilsticker 446/428

FIG. 1 is a front end elevational view of a toy vehicle showing my new design;
FIG. 2 is a rear end elevational view thereof;
FIG. 3 is a right side elevational view thereof;
FIG. 4 is a left side elevational view thereof;
FIG. 5 is a top plan view thereof; and,
FIG. 6 is a bottom plan view thereof.

1 Claim, 4 Drawing Sheets



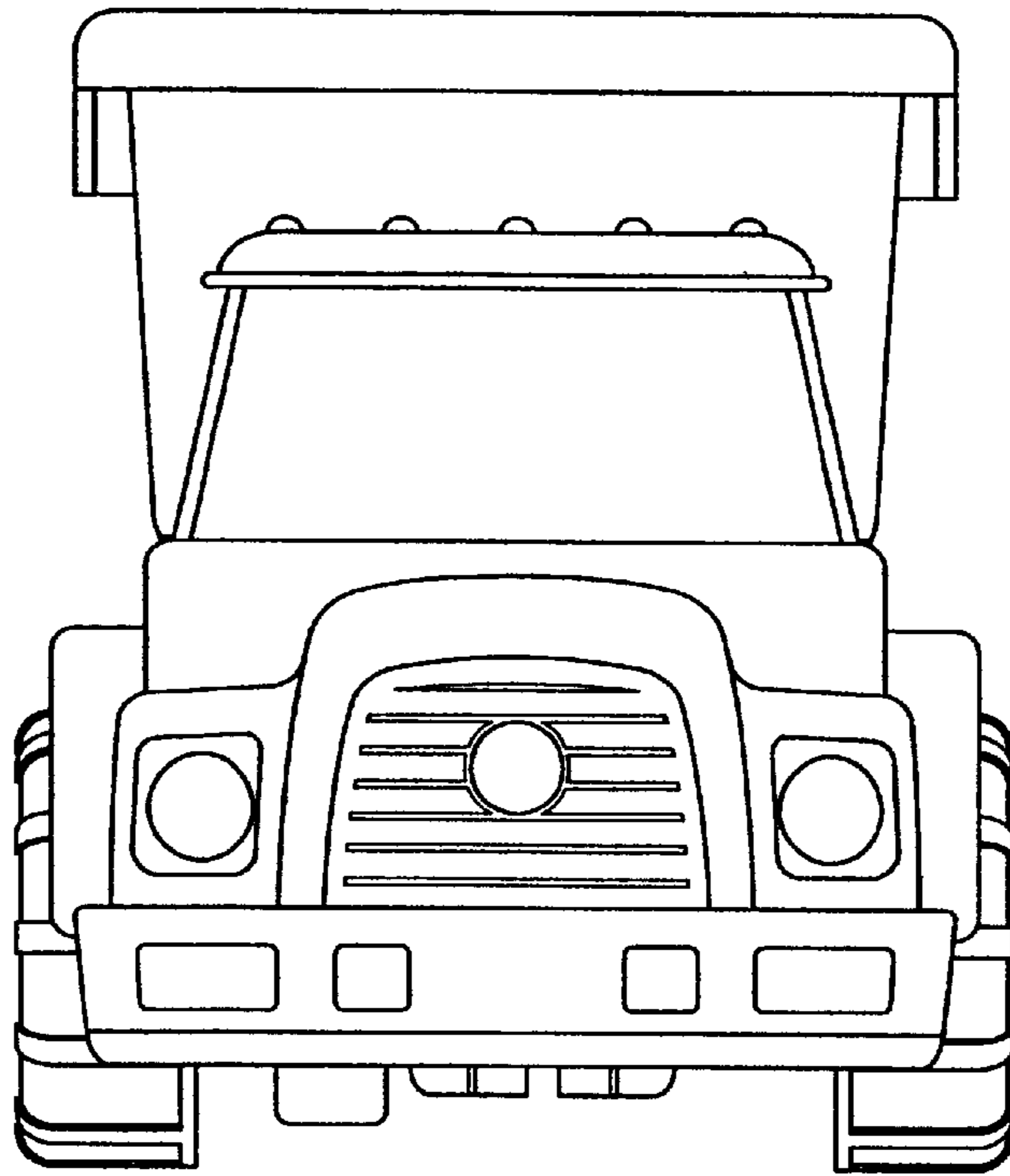


FIG. 1

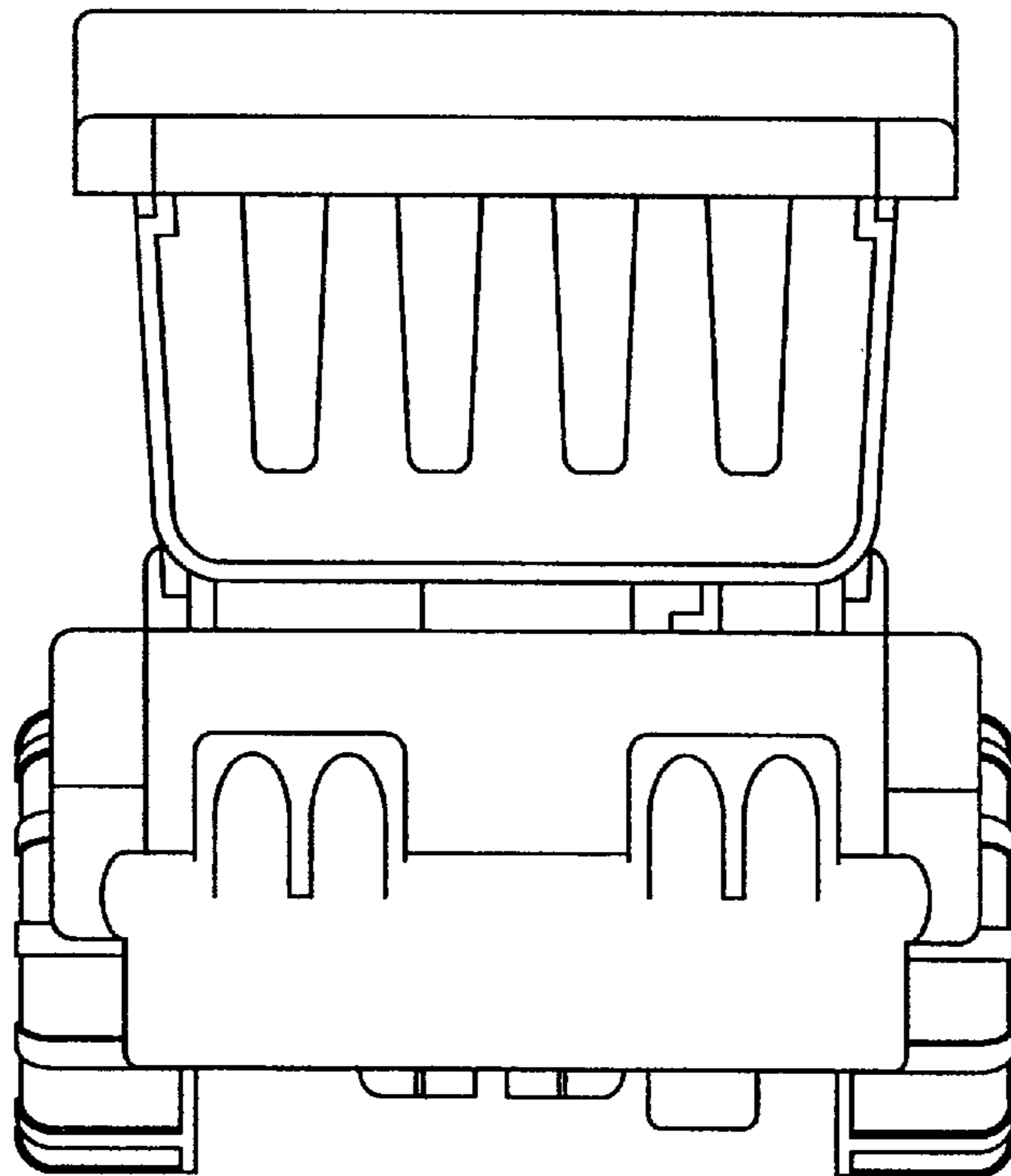


FIG. 2

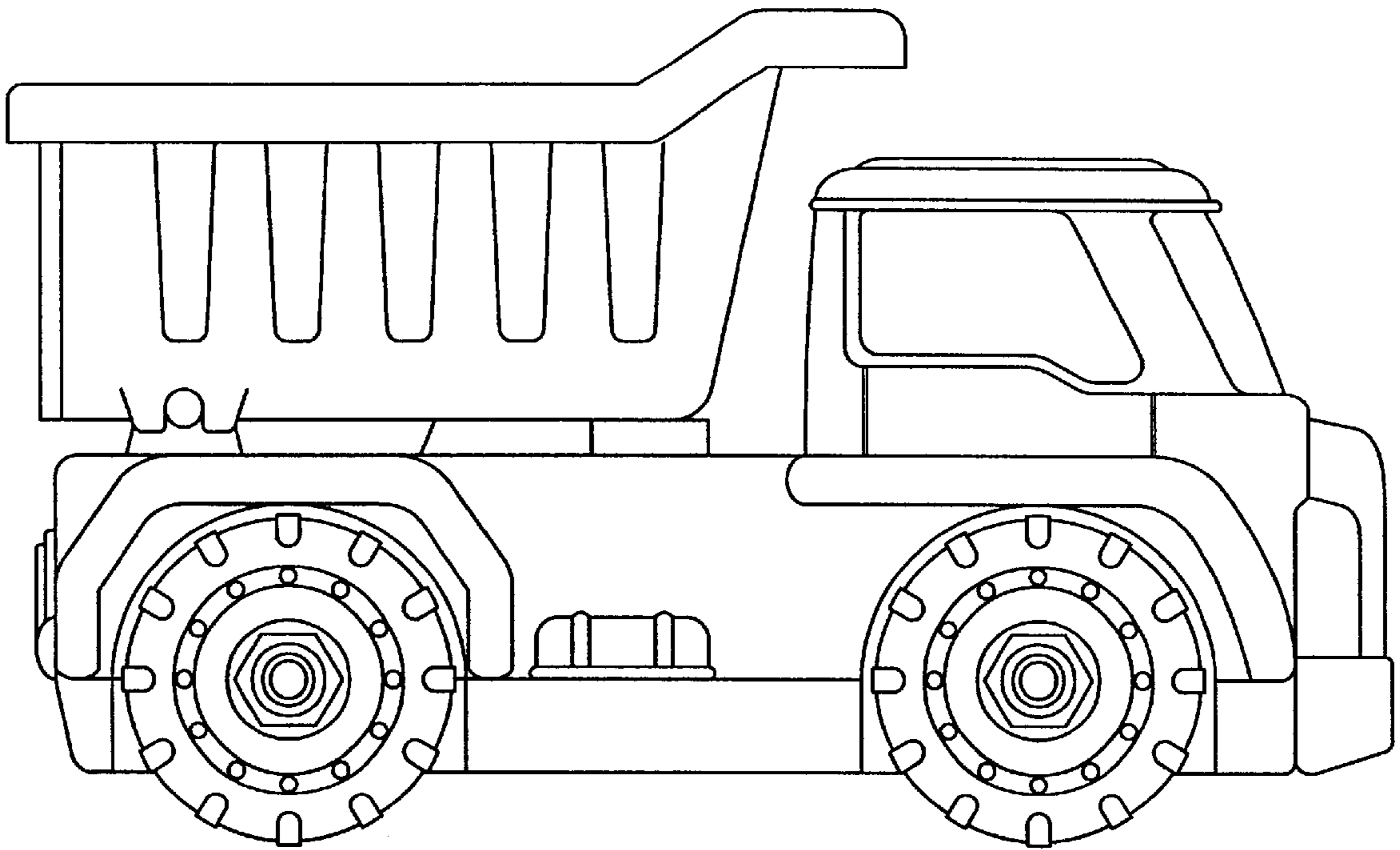


FIG. 3

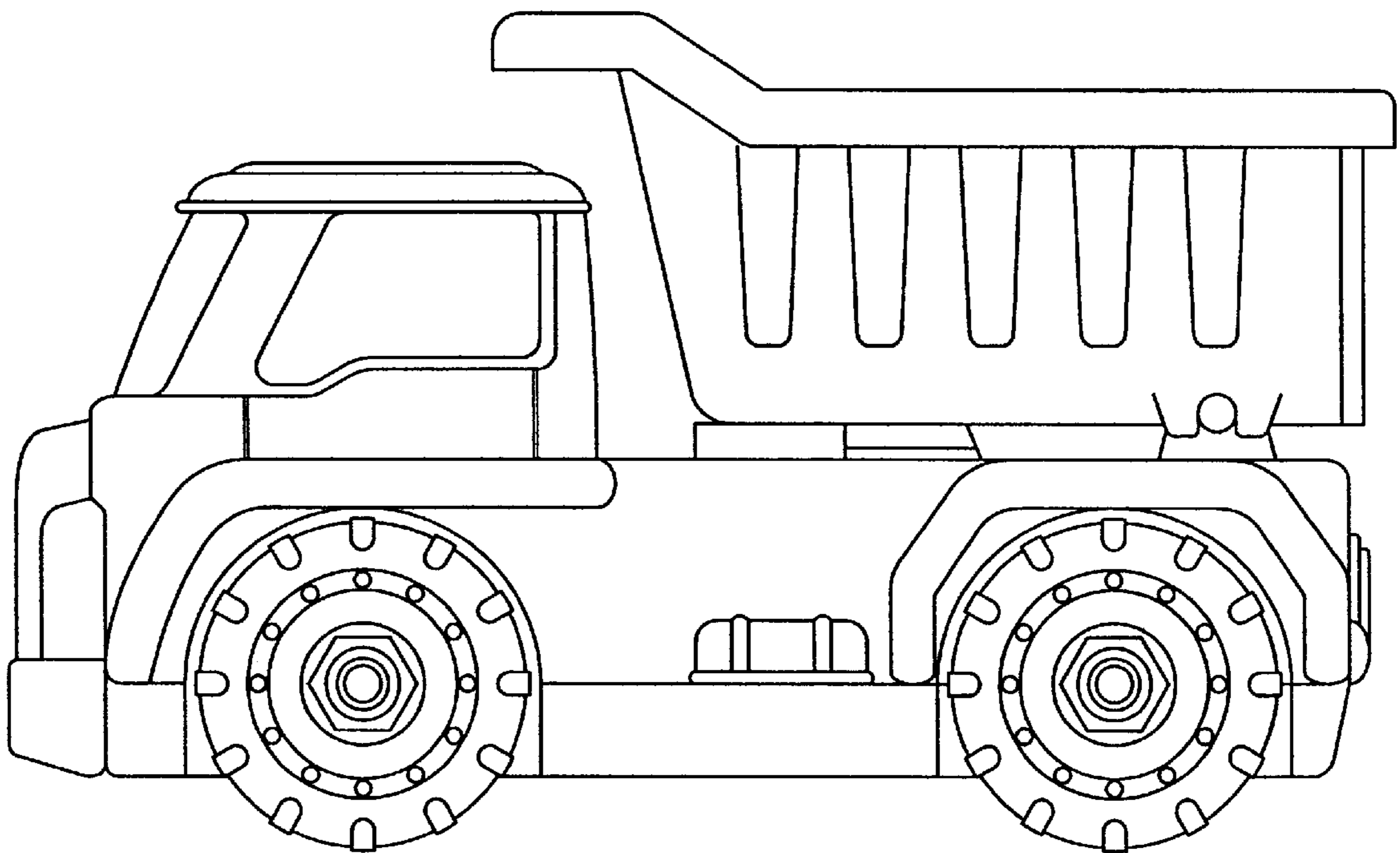


FIG. 4

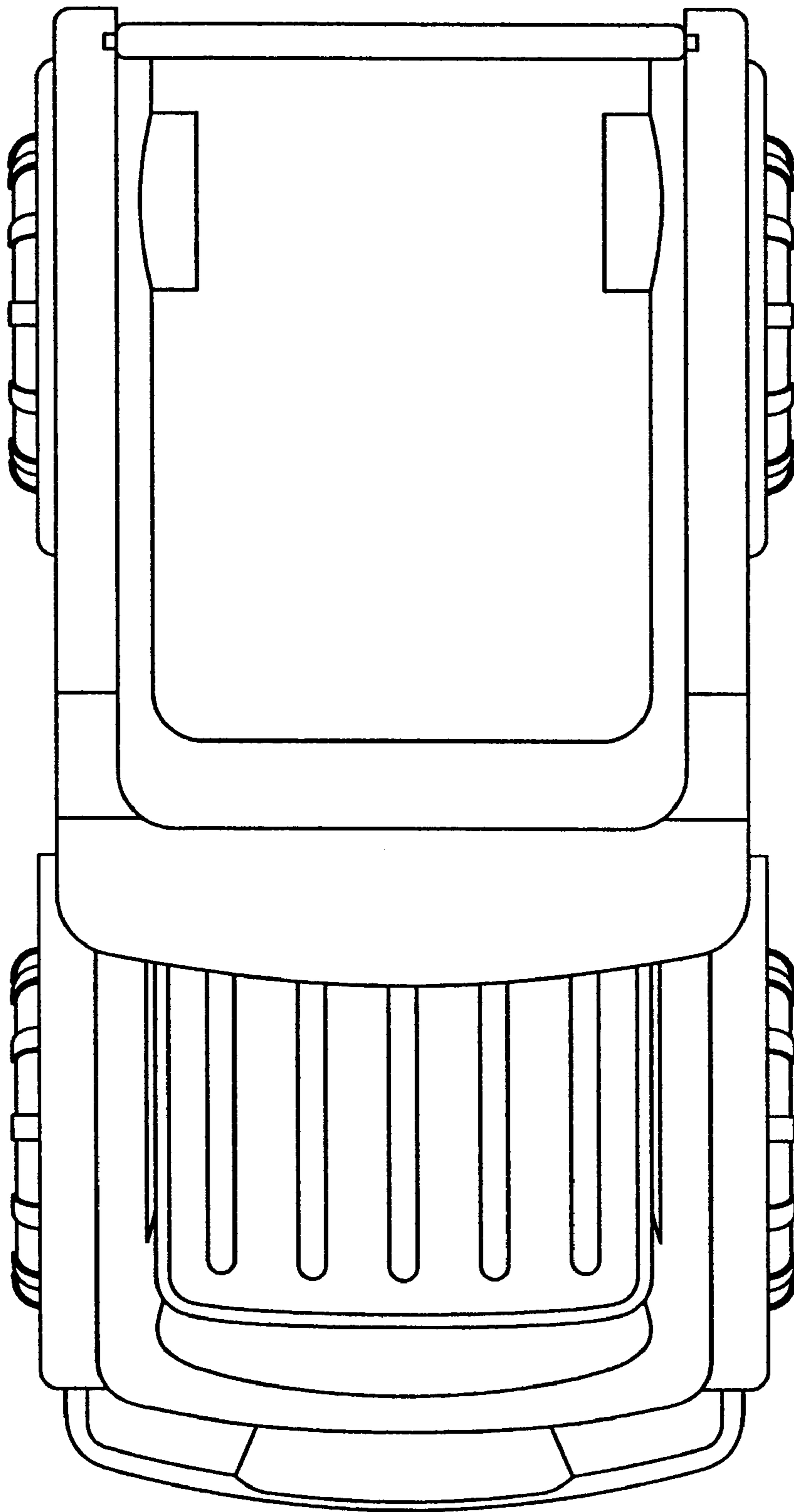


FIG. 5

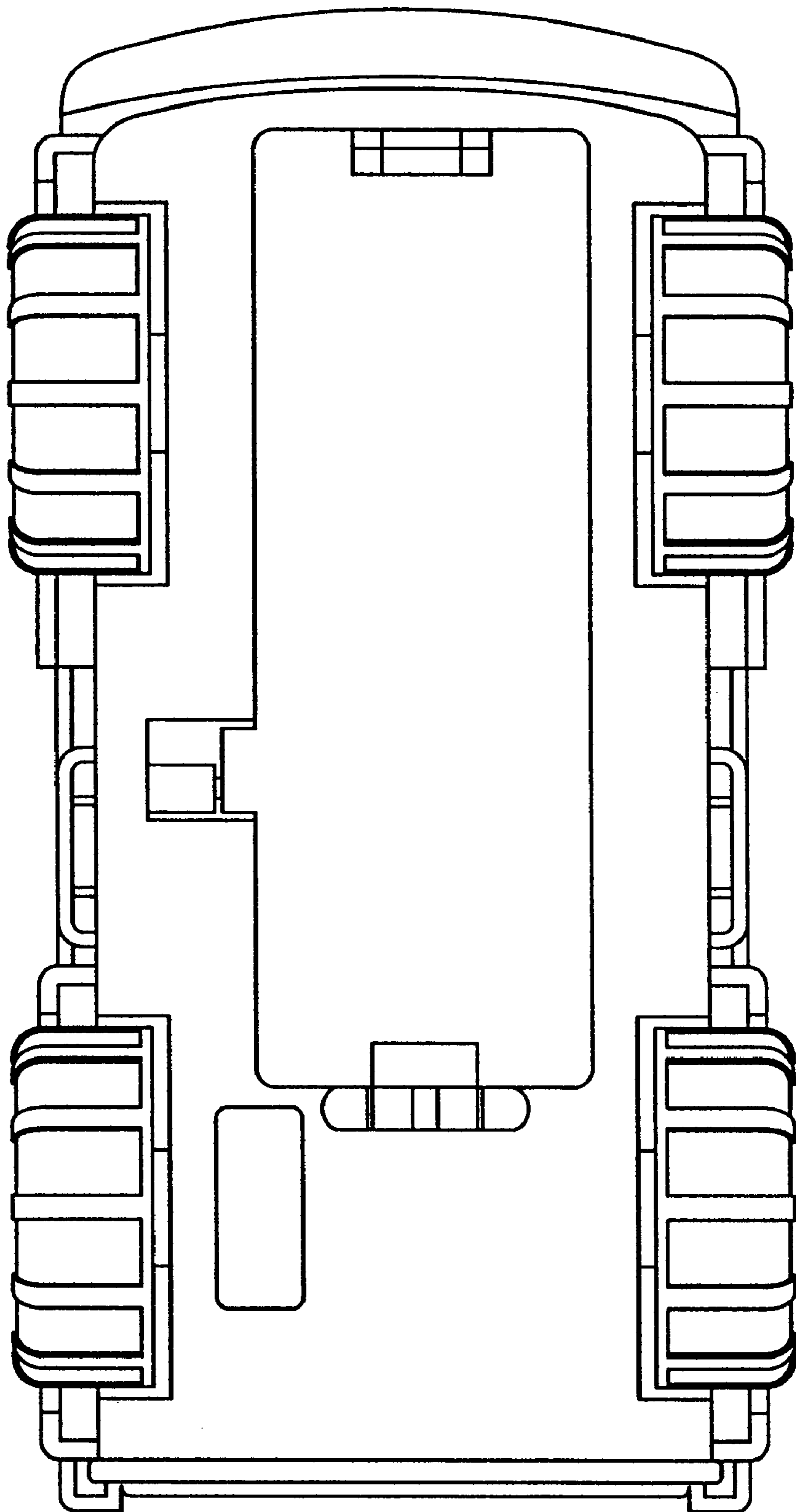


FIG. 6