



US00D445843S

(12) **United States Design Patent**
Tse

(10) **Patent No.:** **US D445,843 S**

(45) **Date of Patent:** **** Jul. 31, 2001**

(54) **TOY VEHICLE**

(75) **Inventor:** **Wai Keung Tse, Chaiwan (HK)**

(73) **Assignee:** **Wah Hing Toys Development Co., Ltd., Kowloon (HK)**

(**) **Term:** **14 Years**

(21) **Appl. No.:** **29/134,675**

(22) **Filed:** **Dec. 28, 2000**

(51) **LOC (7) Cl.** **21-01**

(52) **U.S. Cl.** **D21/432**

(58) **Field of Search** D21/419-435,
D21/533, 538, 549, 550, 551; D12/87-88,
107, 110, 112, 3; 446/440, 454, 456, 465,
470; 280/87.01, 87.021, 282; 180/233,
311, 315, 225, 229

(56) **References Cited**

U.S. PATENT DOCUMENTS

- D. 292,009 * 9/1987 Harrod D21/432
- D. 423,059 * 4/2000 Chuan D21/432
- D. 423,603 * 4/2000 Tasy D21/432

- D. 425,452 * 5/2000 Mon et al. D12/107
- D. 427,942 * 7/2000 Cho et al. D12/107
- D. 429,774 * 8/2000 Lerch D21/432
- D. 432,053 * 10/2000 Wu et al. D12/107
- 5,489,232 * 2/1996 Chang 446/440

* cited by examiner

Primary Examiner—Raphael Barkai

(74) *Attorney, Agent, or Firm*—Leydig, Voit & Mayer, Ltd.

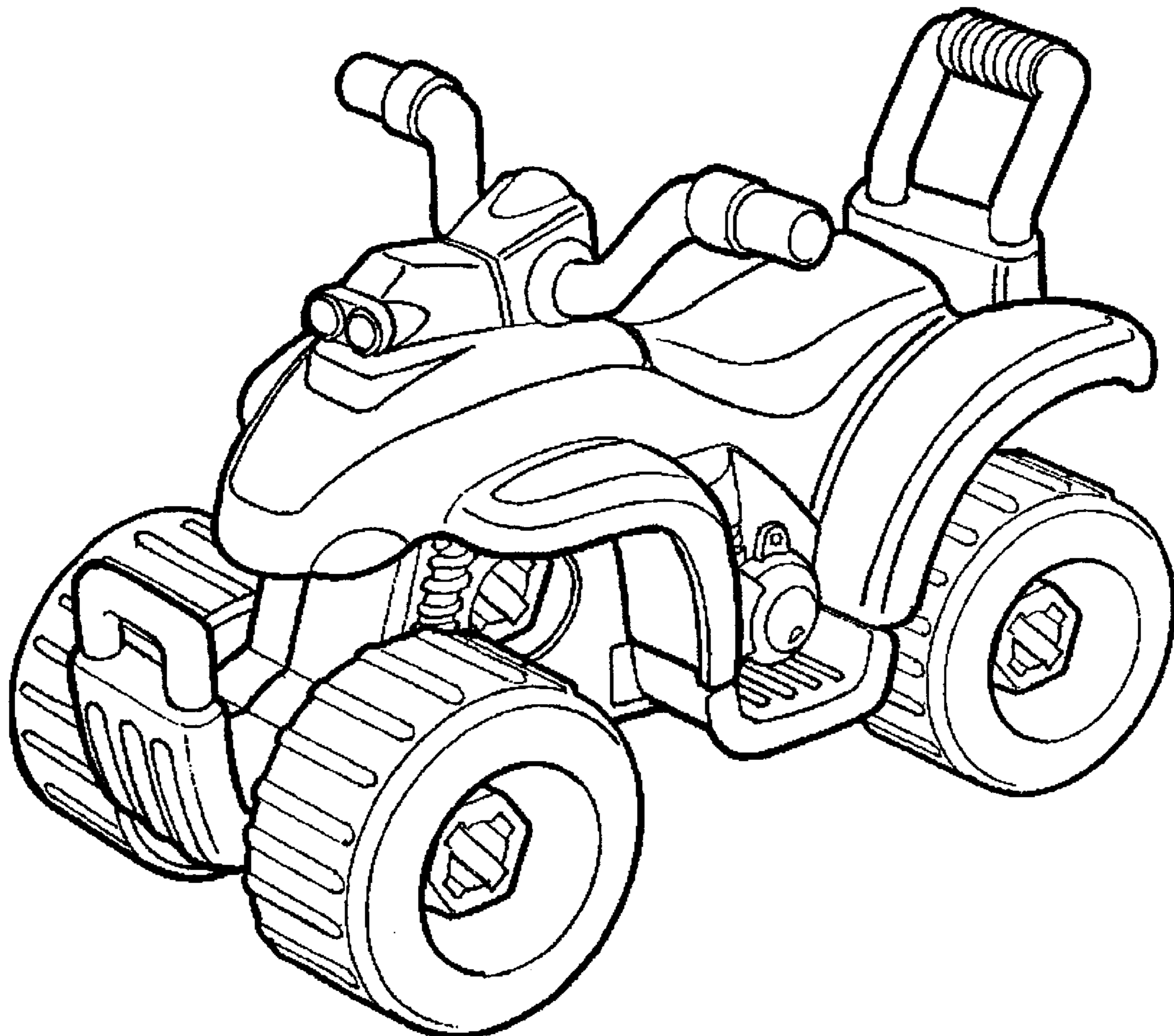
(57) **CLAIM**

The ornamental design for a toy vehicle, as shown and described.

DESCRIPTION

FIG. 1 is a front end, left side and top perspective view of a toy vehicle showing my new design;
FIG. 2 is a front end elevational view thereof;
FIG. 3 is a rear end elevational view thereof;
FIG. 4 is a left side elevational view thereof;
FIG. 5 is a right side elevational view thereof;
FIG. 6 is a top plan view thereof; and,
FIG. 7 is a bottom plan view thereof.

1 Claim, 7 Drawing Sheets



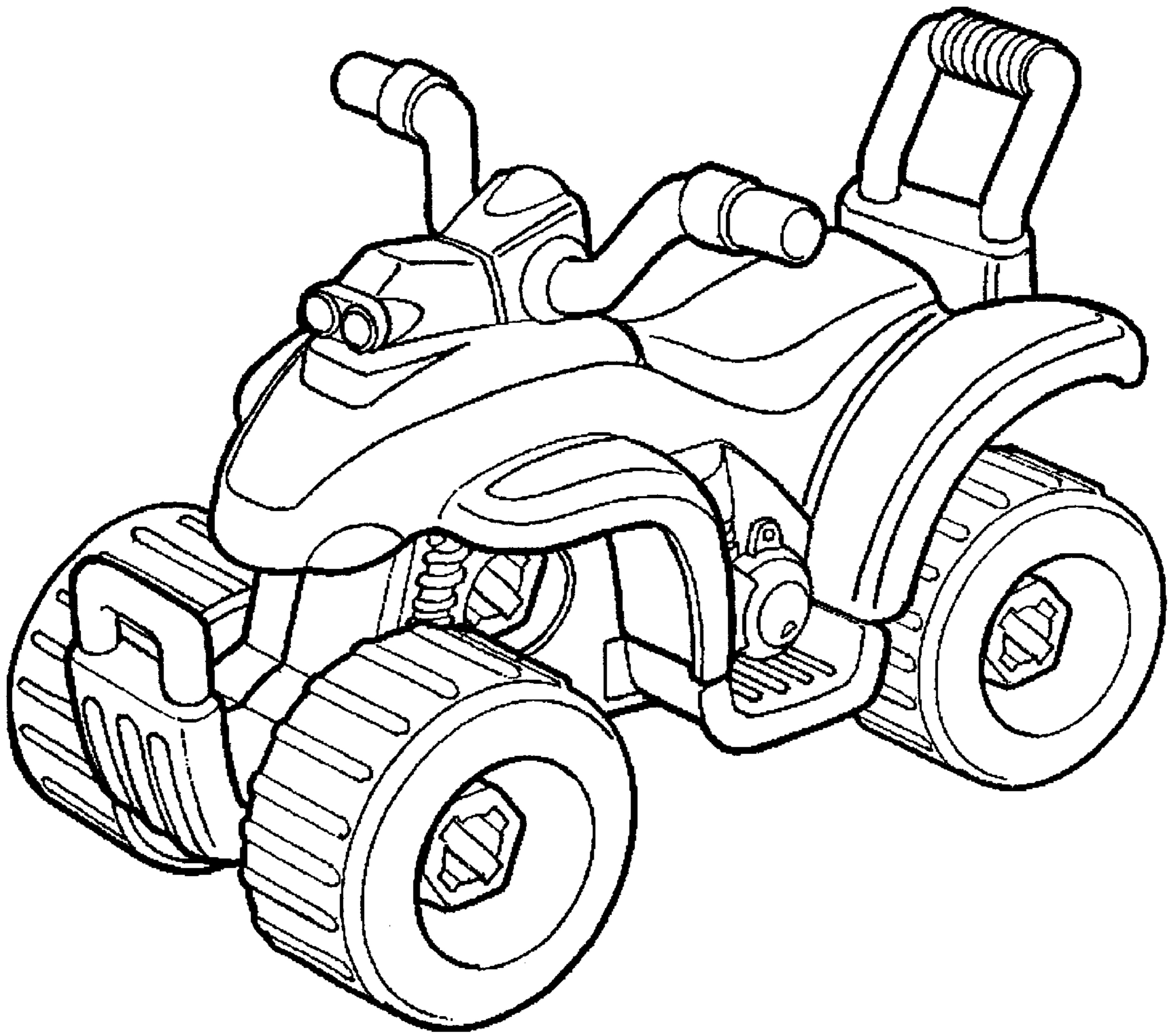


FIG. 1

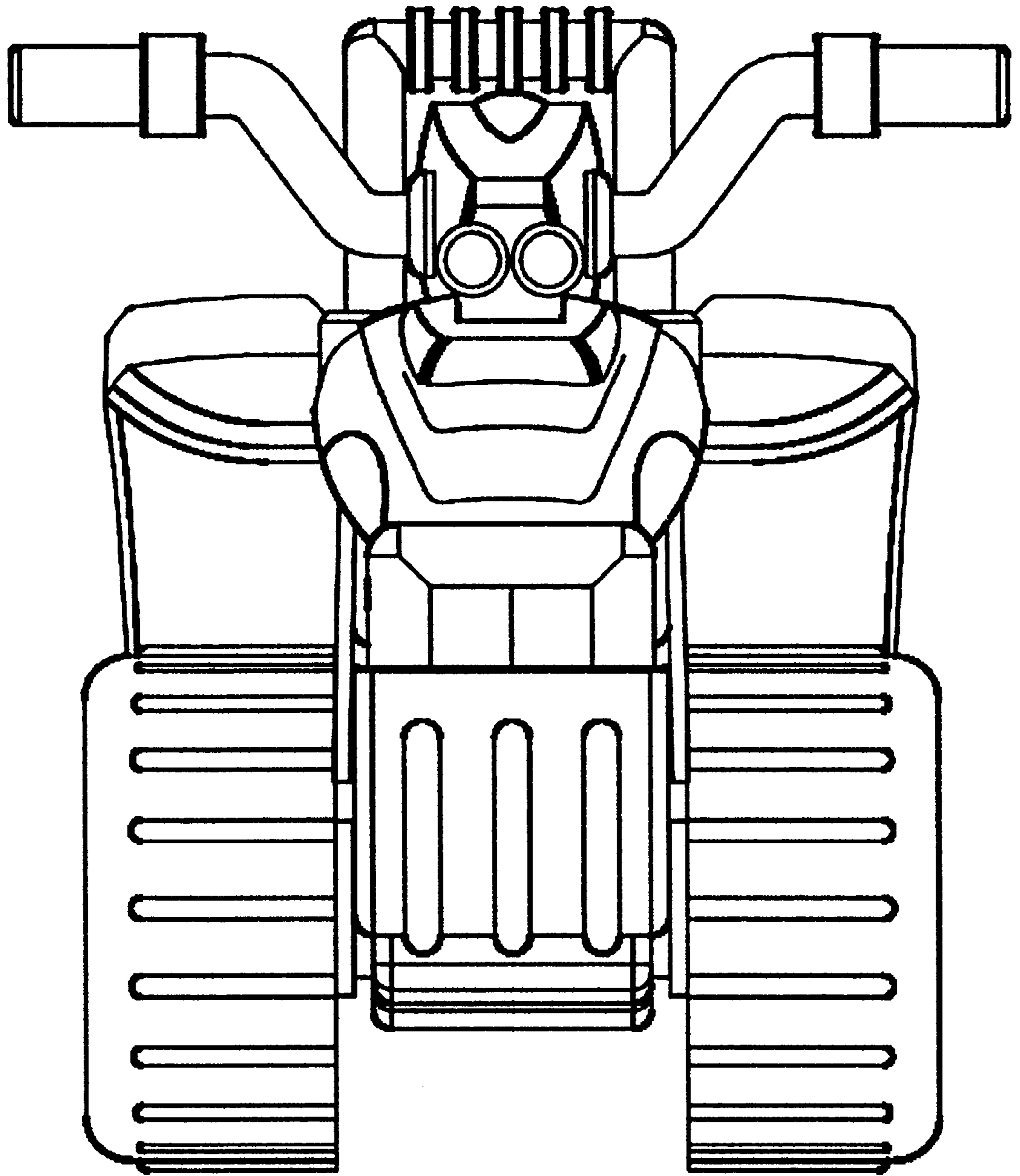


FIG. 2

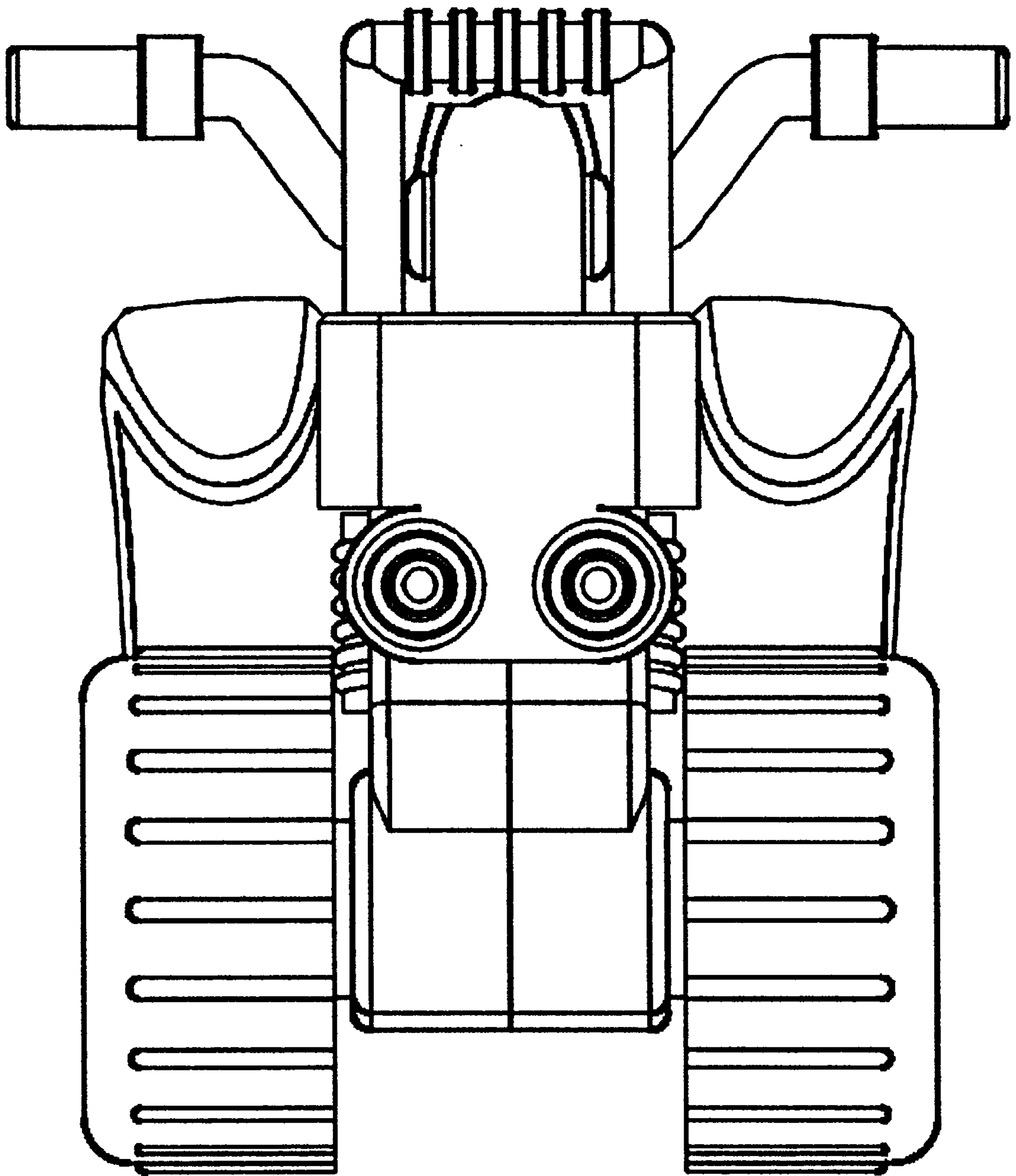


FIG. 3

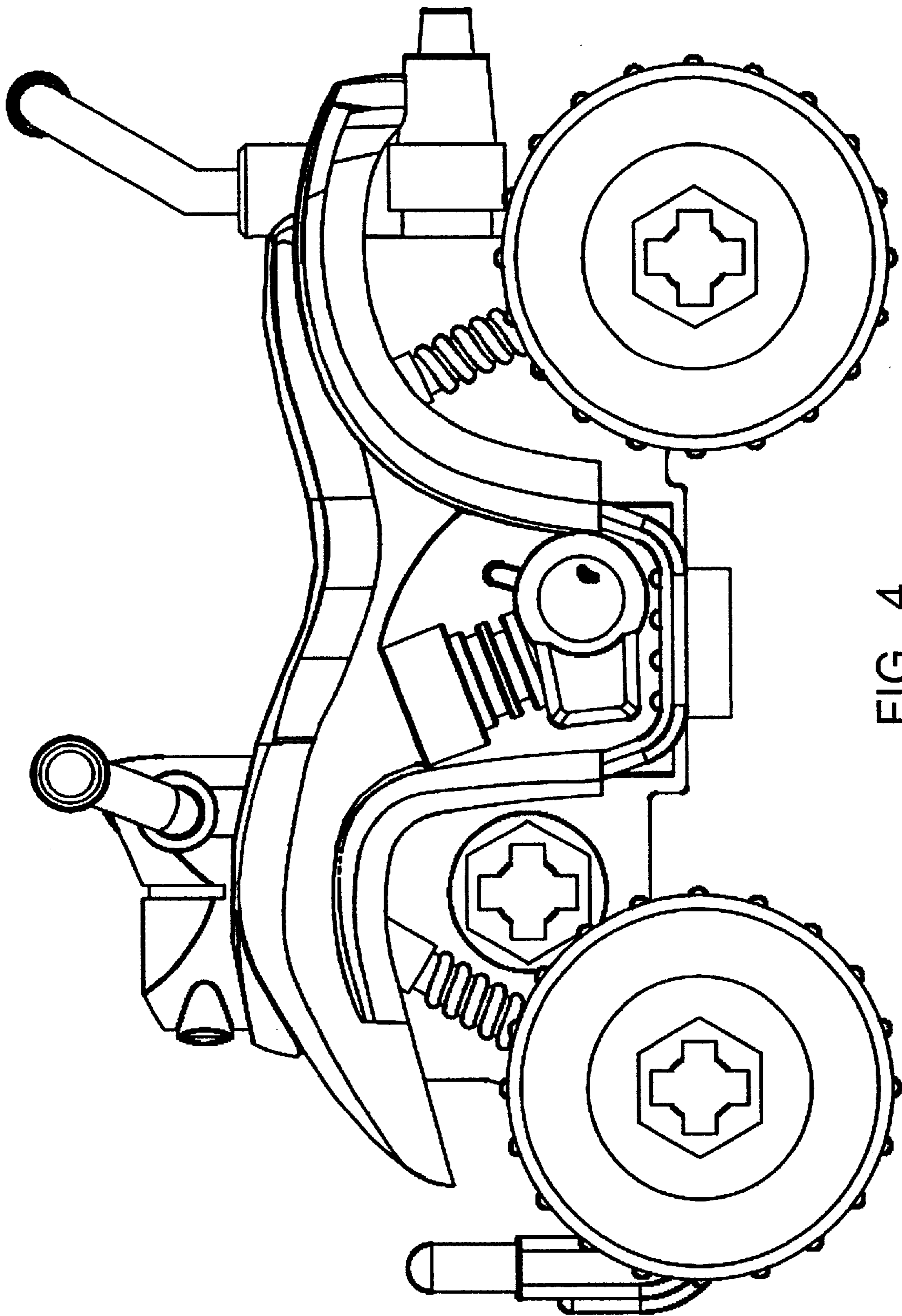


FIG. 4

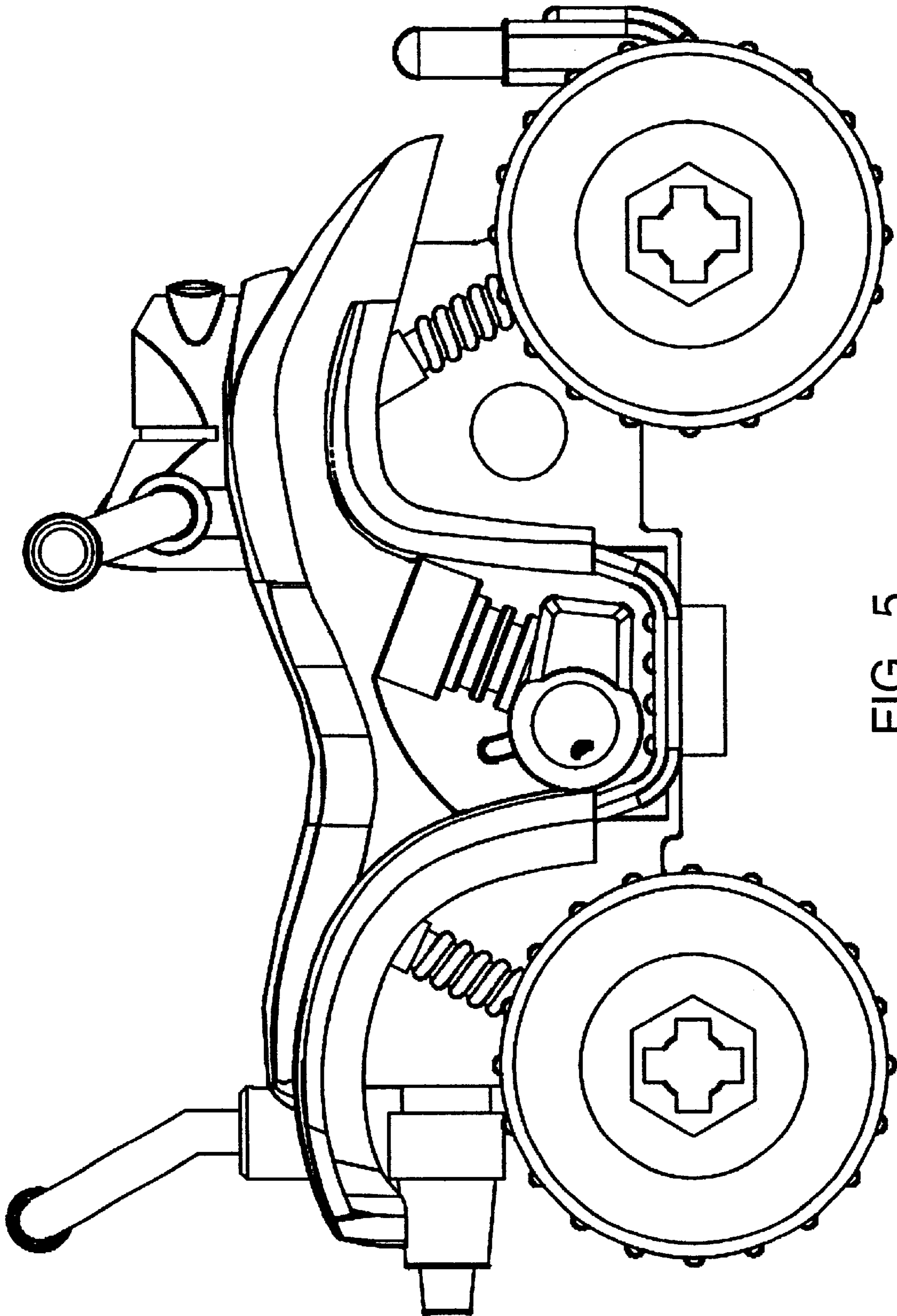


FIG. 5

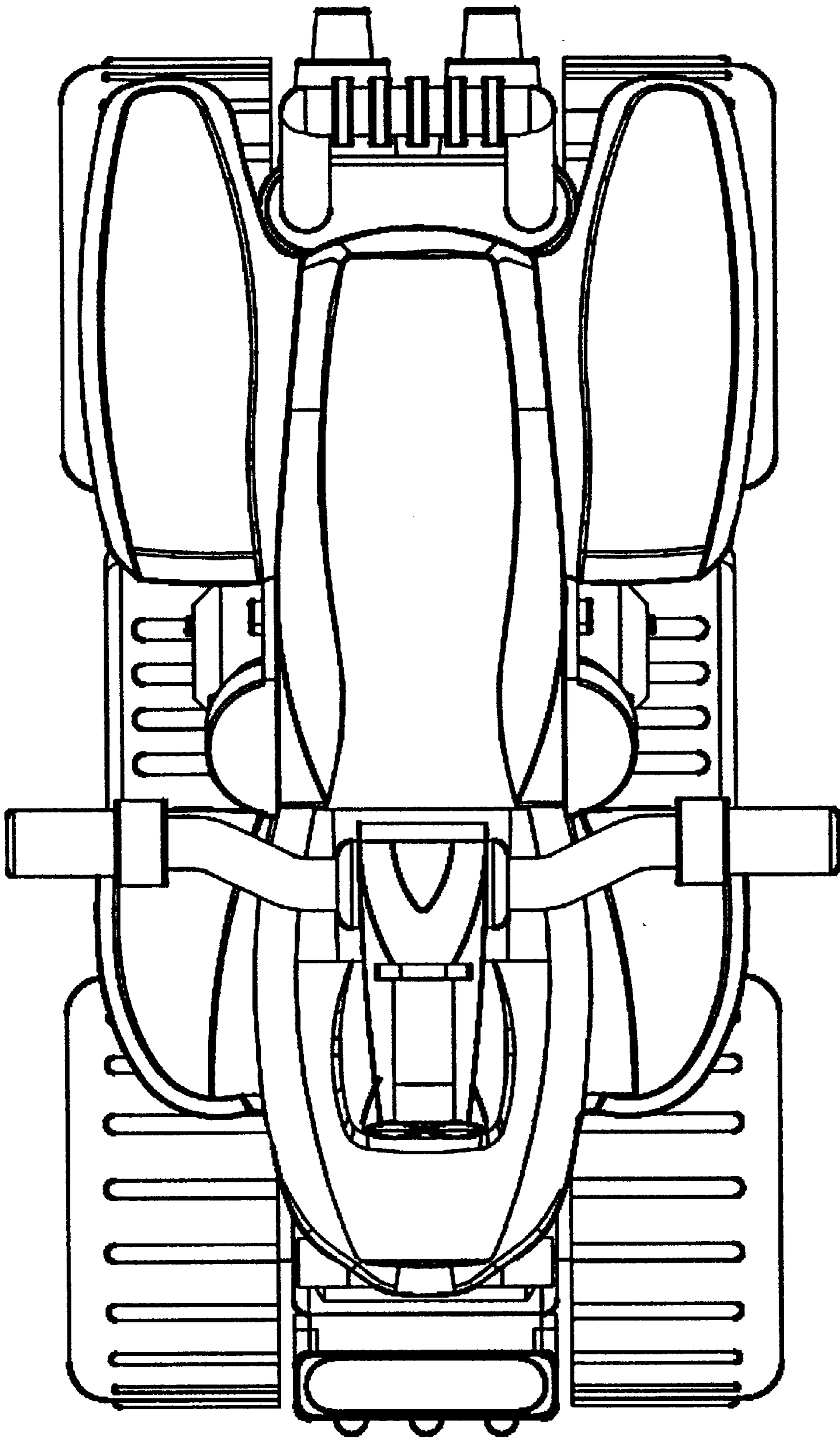


FIG. 6

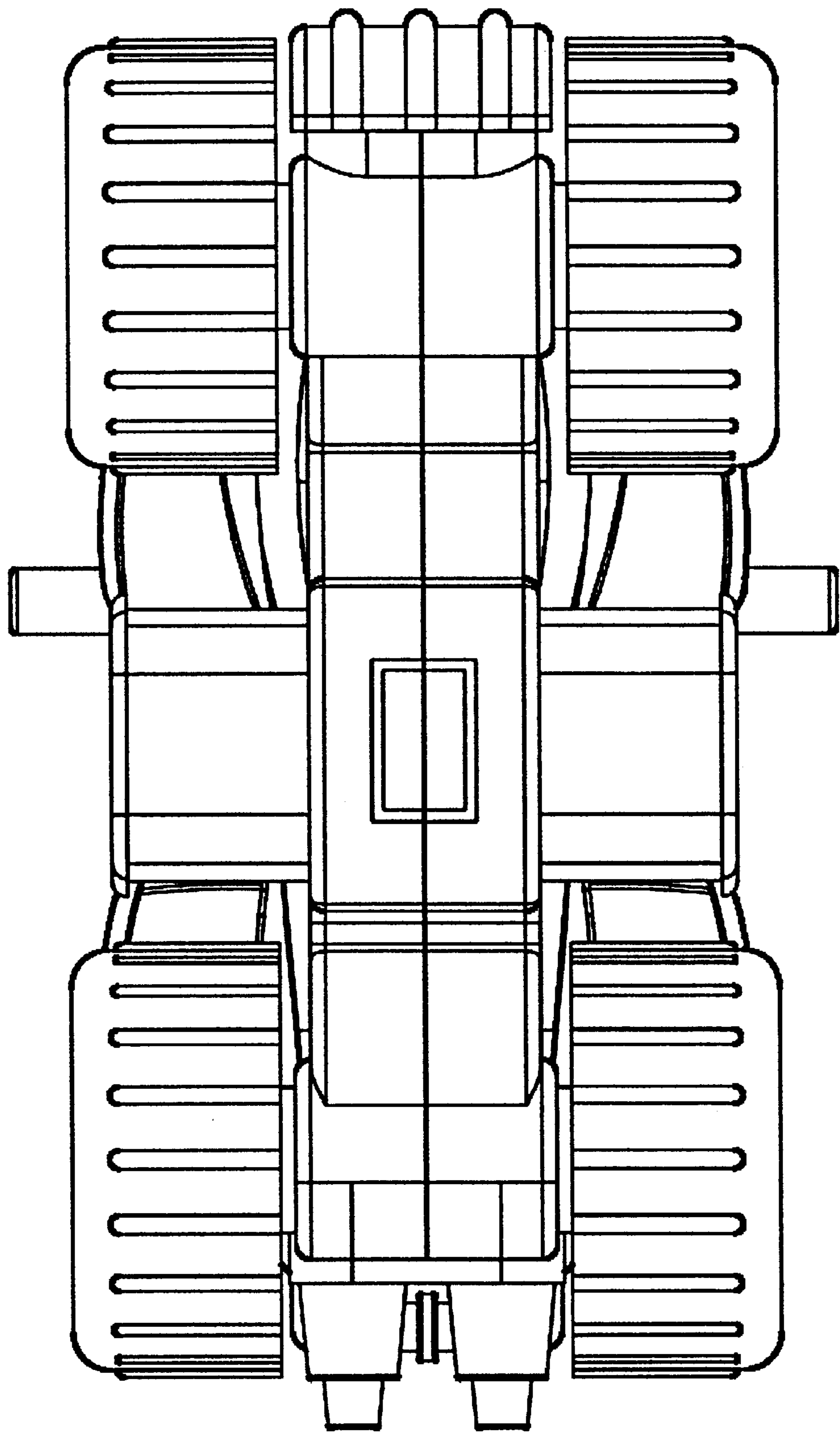


FIG. 7