



US00D445841S

(12) **United States Design Patent** (10) **Patent No.:** **US D445,841 S**
Sabo (45) **Date of Patent:** **** Jul. 31, 2001**

(54) **DISPLAY PANEL FOR VIDEO MONITOR AND DISPLAY WINDOWS FOR A GAMING MACHINE**

6,117,009 * 9/2000 Yoseloff 463/20

* cited by examiner

(75) Inventor: **Oto Sabo**, Gerasdorf/Oberlisse (AT)

Primary Examiner—Sandra L. Morris

(74) *Attorney, Agent, or Firm*—Darby & Darby

(73) Assignee: **Novomatic AG**, Gumpolskirchen (AT)

(57) **CLAIM**

(**) Term: **14 Years**

The ornamental design for a display panel for video monitor and display windows for a gaming machine, as shown and described.

(21) Appl. No.: **29/114,945**

(22) Filed: **Dec. 3, 1999**

DESCRIPTION

(51) **LOC (7) Cl.** **21-03**

(52) **U.S. Cl.** **D21/370**

(58) **Field of Search** D21/369, 370;
273/138.1, 142 R, 143 A, 143 R; 463/20

FIG. 1 is an overall perspective view of my new design for a display panel for a video monitor and display windows for a gaming machine;

FIG. 2 is a front elevational view of one embodiment showing the display panel for one video monitor and three display windows of my new design; and,

FIG. 3 is a front elevational view of a second embodiment thereof.

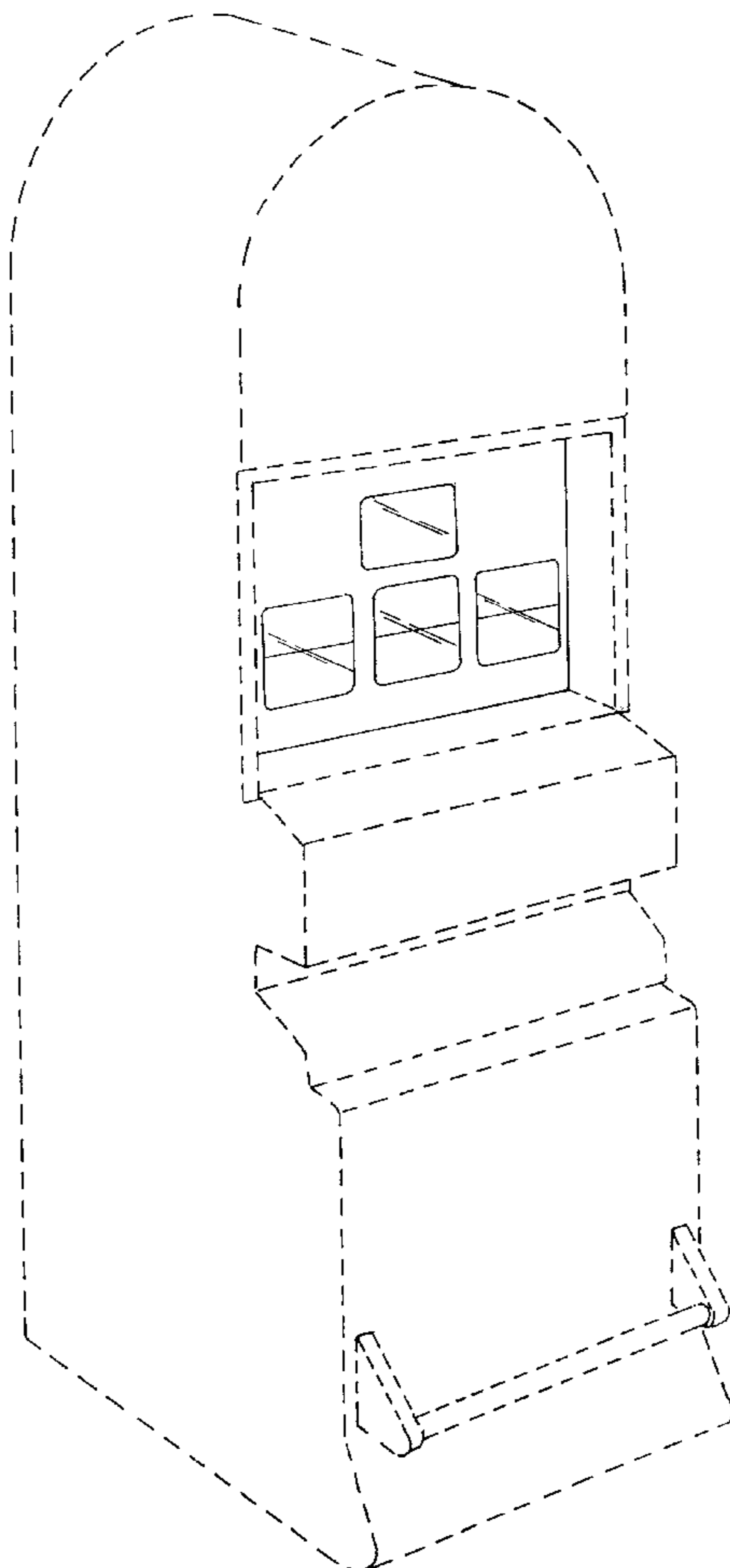
(56) **References Cited**

U.S. PATENT DOCUMENTS

- D. 379,202 * 5/1997 Takemoto et al. D21/370
- D. 406,615 * 3/1999 Griswold et al. D21/370
- 4,198,052 * 4/1980 Gauselmann 273/143 R
- 5,251,898 * 10/1993 Dickenson et al. 273/143 R
- 5,695,402 * 12/1997 Stupak 463/20
- 6,062,980 * 5/2000 Luciano 463/20

The broken line showing of the gaming machine is for illustrative purposes only, and forms no part of the claimed design.

1 Claim, 2 Drawing Sheets



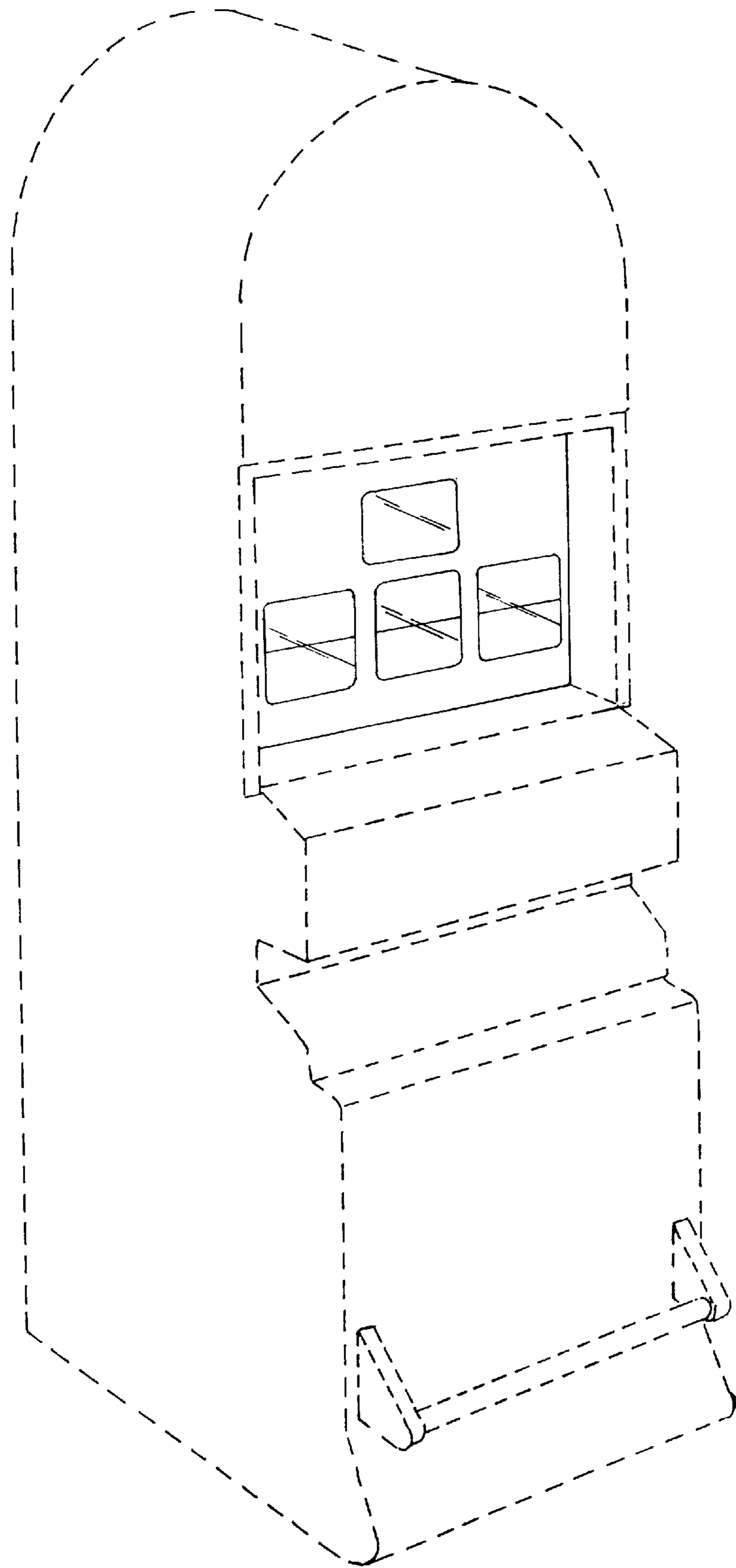


Fig. 1

Fig. 2

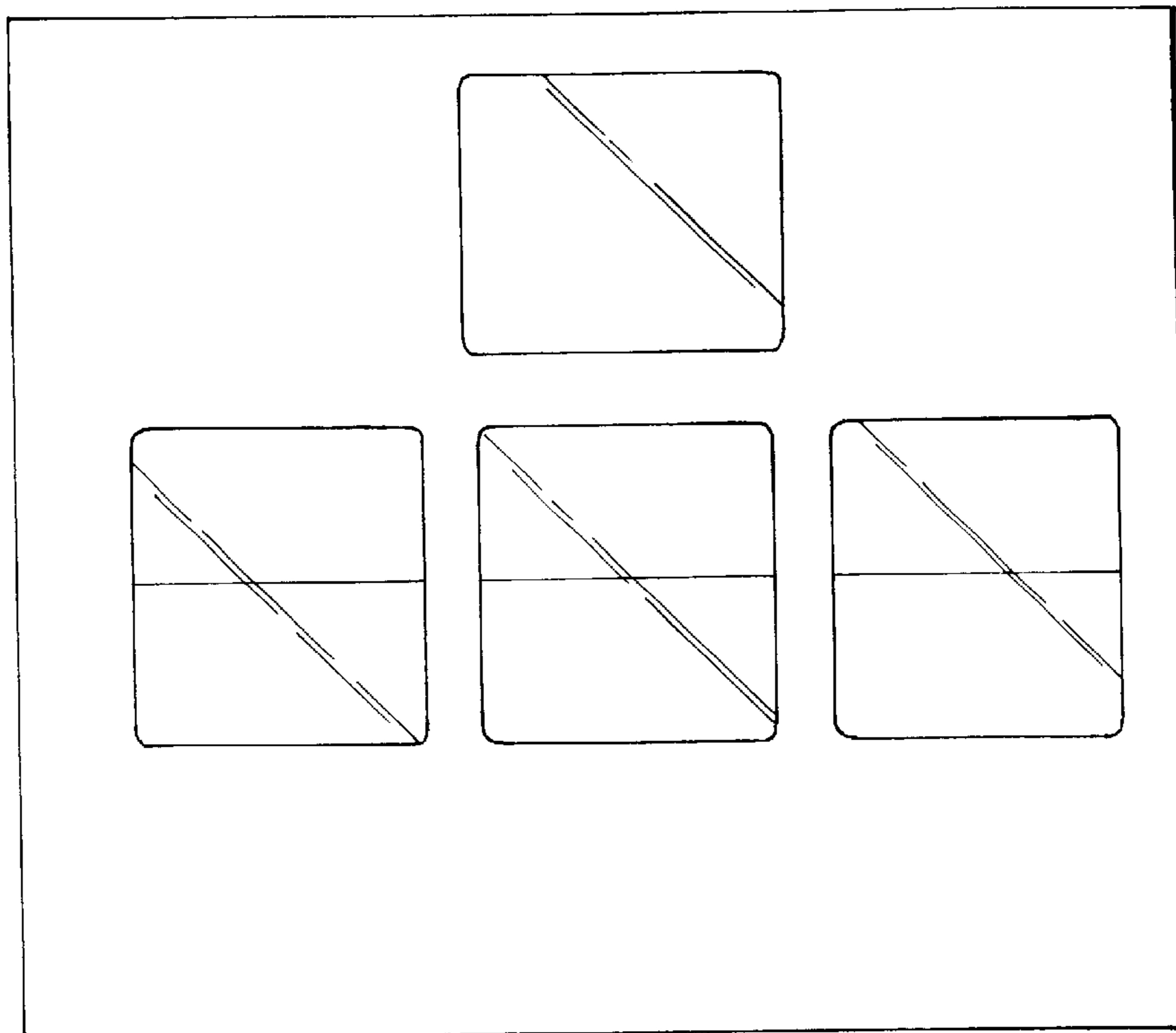


Fig. 3

