



US00D445839S

(12) **United States Design Patent** (10) **Patent No.:** **US D445,839 S**  
**Iino et al.** (45) **Date of Patent:** **\*\* Jul. 31, 2001**

(54) **PORTION OF A DIGITAL VIDEO DISK  
PLAYER**

5,362,068 11/1994 Liu .  
5,546,257 \* 8/1996 Jennings ..... 360/128  
5,552,799 9/1996 Hashiguchi .  
5,926,438 7/1999 Saito .  
5,941,775 8/1999 Naka et al. .  
5,949,631 \* 9/1999 Ellis et al. .... 360/137

(75) Inventors: **Masaaki Iino**, Soka; **Isao Wada**,  
Hamamatsu, both of (JP)

(73) Assignee: **Kabushiki Kaisha Toshiba**, Kawasaki  
(JP)

**FOREIGN PATENT DOCUMENTS**

(\*\*) Term: **14 Years**

970970 12/1996 (JP) .

**OTHER PUBLICATIONS**

(21) Appl. No.: **29/131,466**

Nihon Victor Kabushiki Kaisha Brochure, dated Nov. 1998.  
Matsushita Denki Sangyo Kabushiki Kaisha Brochure,  
dated Nov. 1998.  
Pioneer Kabushiki Kaisha Brochure, dated Oct. 1998.  
Sony Kabushiki Kaisha Brochure, dated Oct. 1998.

(22) Filed: **Oct. 24, 2000**

**Related U.S. Application Data**

(62) Division of application No. 29/118,545, filed on Feb. 11,  
2000, now Pat. No. Des. 434,455.

\* cited by examiner

(30) **Foreign Application Priority Data**

*Primary Examiner*—Prabhakar Deshmukh  
(74) *Attorney, Agent, or Firm*—Banner & Witcoff, Ltd.

Aug. 12, 1999 (JP) ..... 11-21734

(51) **LOC (7) Cl.** ..... **21-01**

(57) **CLAIM**

(52) **U.S. Cl.** ..... **D21/333**

The ornamental design for portion of a digital video disk  
player, as shown and described.

(58) **Field of Search** ..... D21/324, 332,  
D21/333; D14/496, 135, 136, 474, 481,  
217; 273/148 B; 463/1, 43-47; 360/132,  
133; 242/348, 348.4, 341

**DESCRIPTION**

(56) **References Cited**

FIG. 1 is a top, front and right side perspective view of a  
portion of a digital video disk player showing our new  
design,

**U.S. PATENT DOCUMENTS**

D. 312,083 11/1990 Takada .  
D. 325,468 4/1992 Ohba .  
D. 337,327 7/1993 Suzuki .  
D. 367,895 3/1996 Goto .  
D. 381,977 8/1997 Nagata et al. .  
D. 432,180 \* 10/2000 Hayes ..... D21/333  
D. 434,811 \* 12/2000 Aleman ..... D21/333  
D. 435,871 \* 1/2001 Yu ..... D21/333  
4,865,321 9/1989 Nakagawa et al. .  
5,268,809 \* 12/1993 Eschenburg ..... 360/137

FIG. 2 is a top plan view thereof,  
FIG. 3 is a front elevational view thereof,  
FIG. 4 is a rear elevational view thereof,  
FIG. 5 is a right side elevational view thereof,  
FIG. 6 is a left side elevational view thereof; and,  
FIG. 7 is a perspective view showing the lid in an open  
position.

The broken lines are for illustrative purpose only and forms  
no part of the claimed design.

**1 Claim, 3 Drawing Sheets**

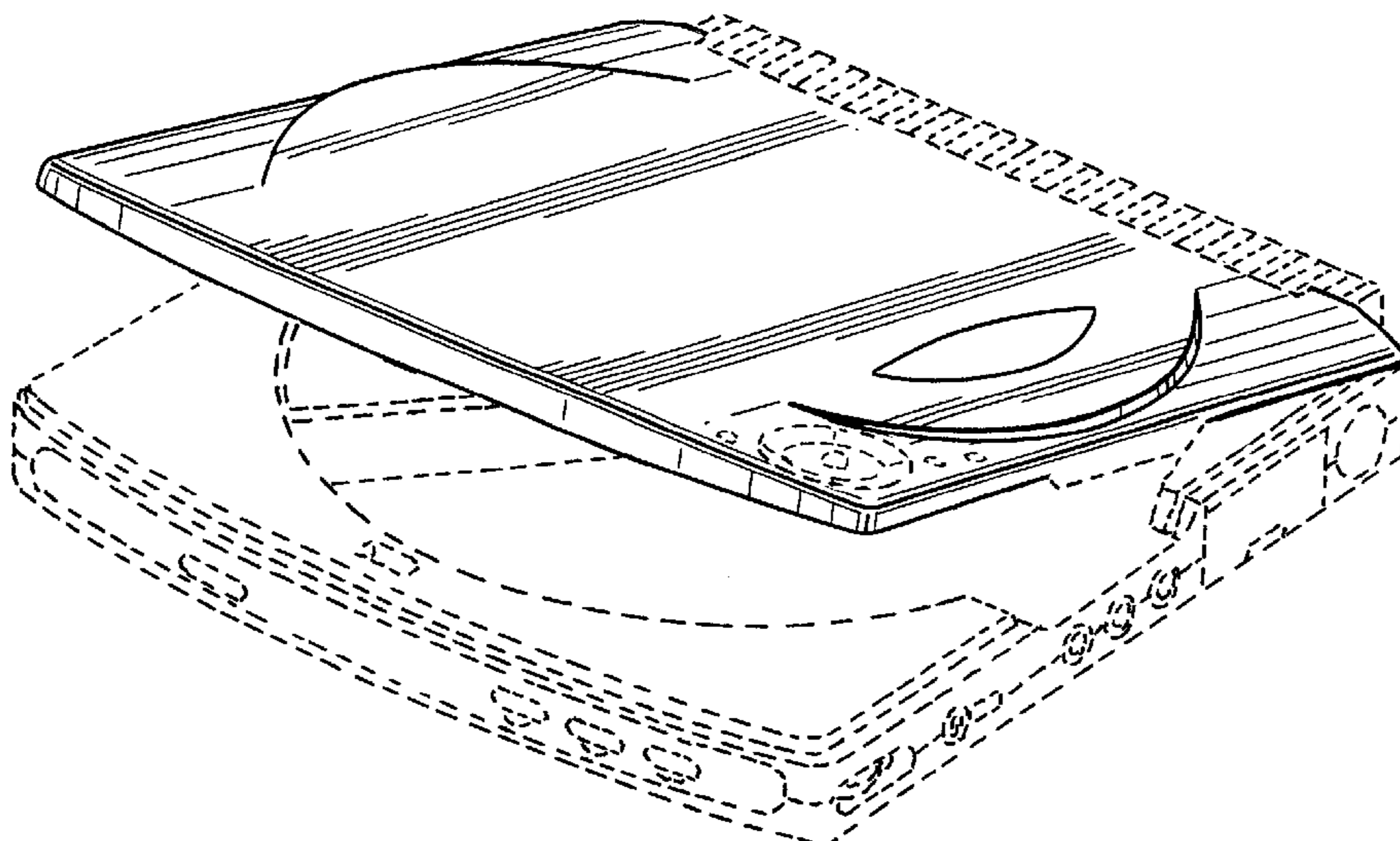


FIG. 1

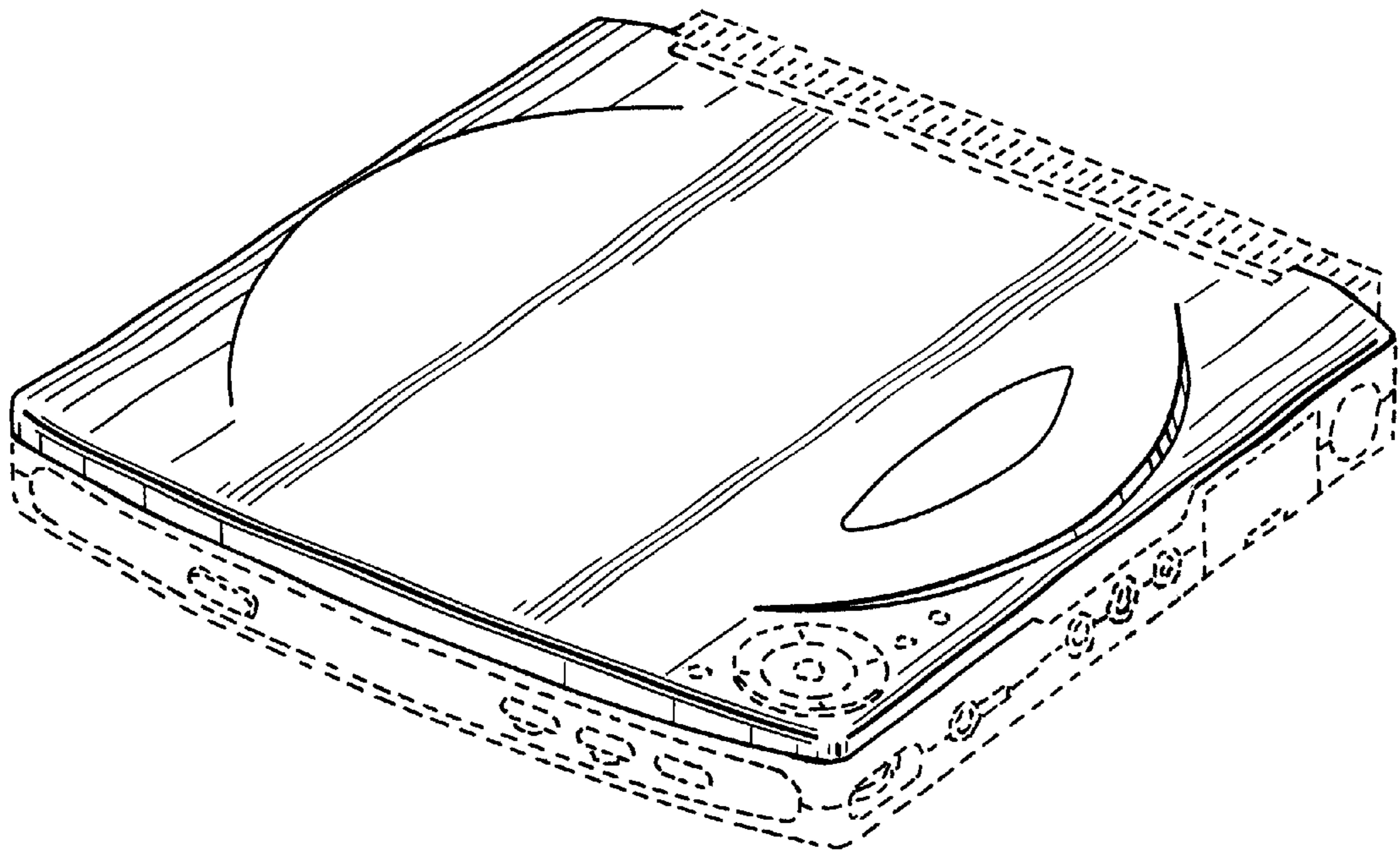


FIG. 2

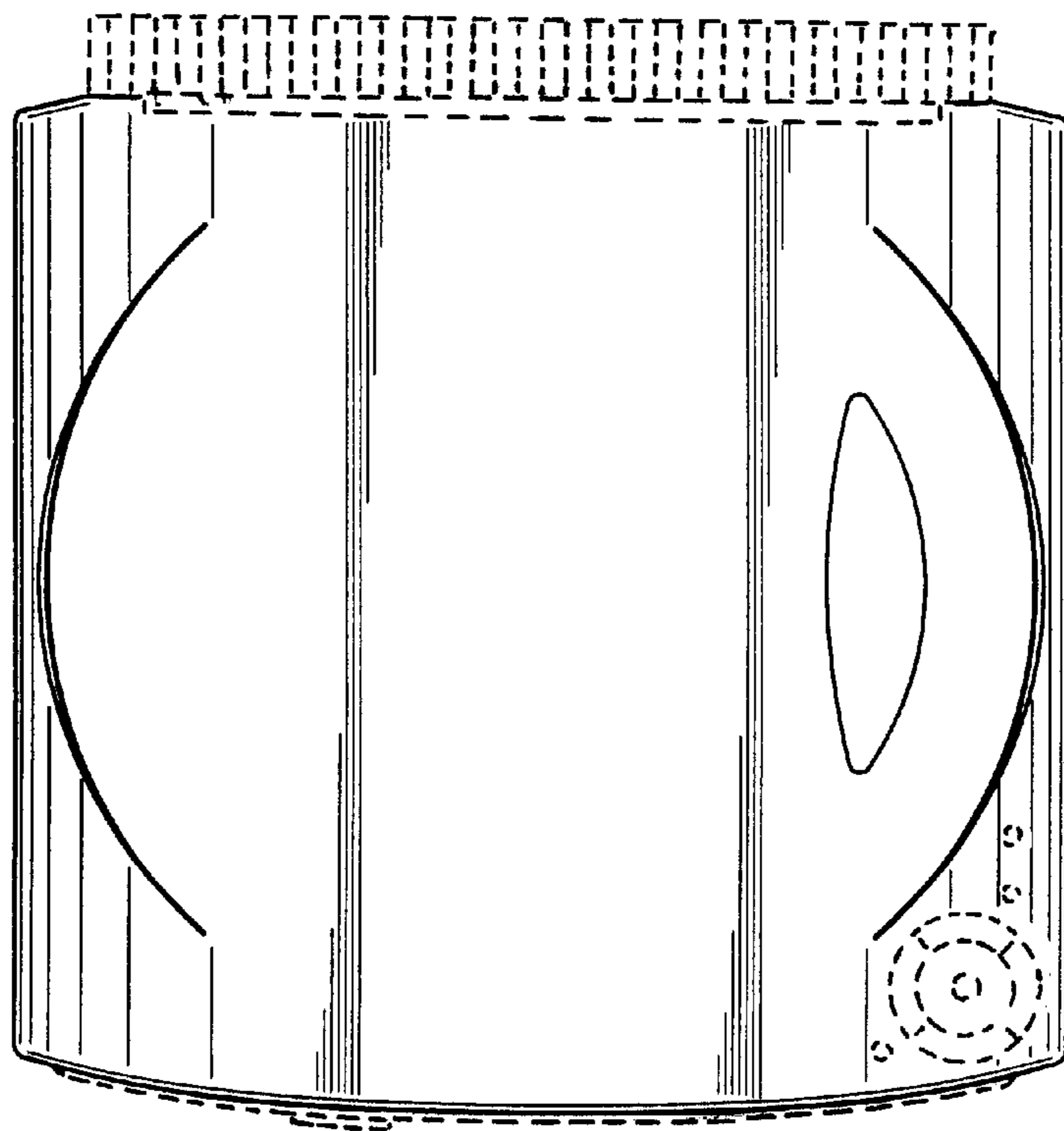


FIG. 3

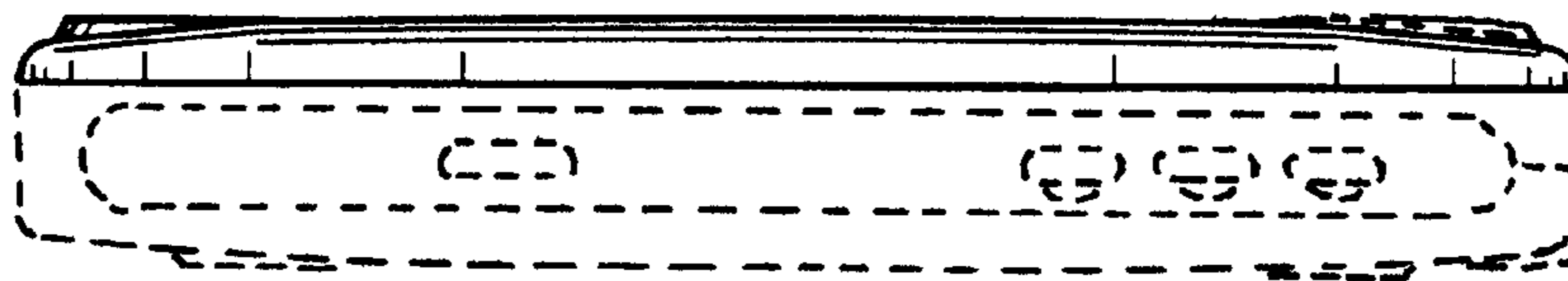


FIG. 4

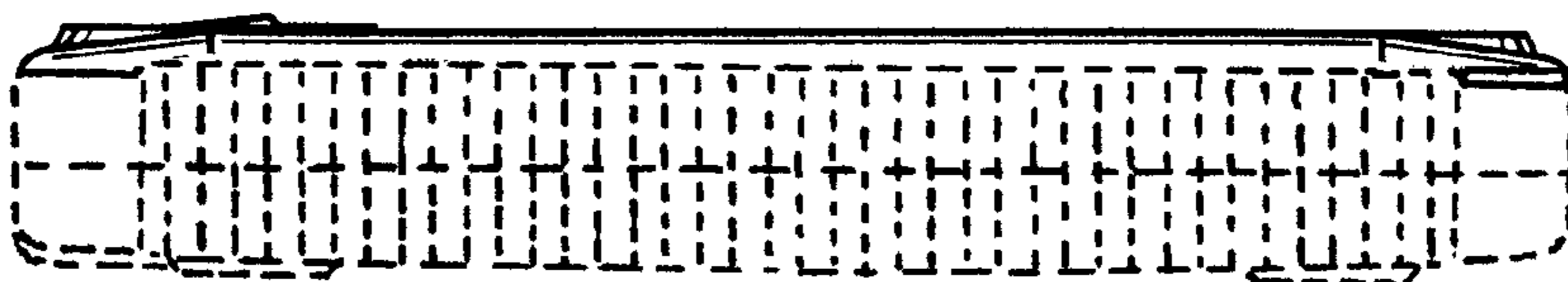


FIG. 5

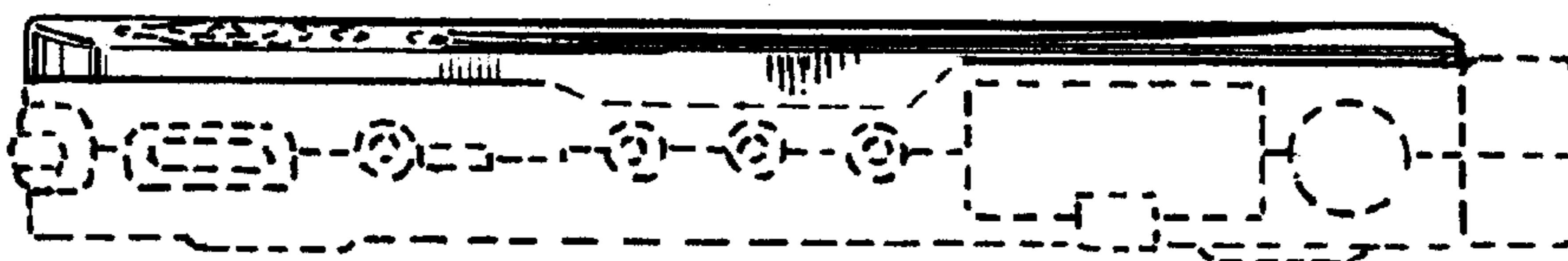


FIG. 6

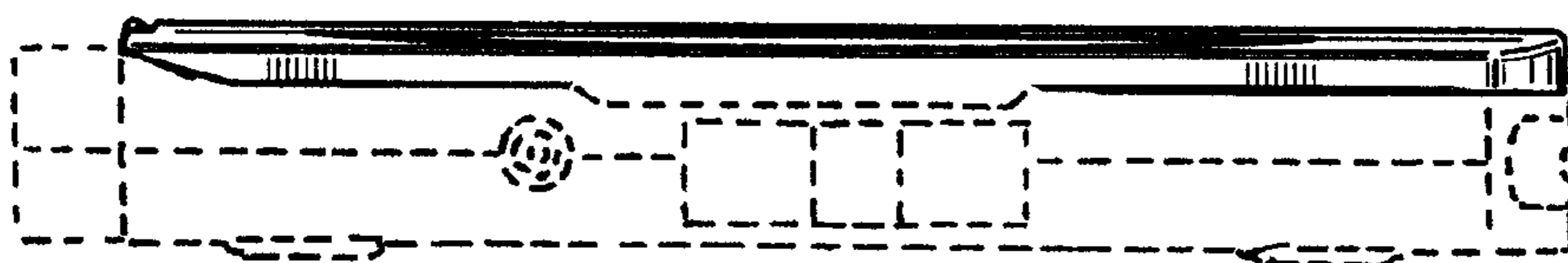


FIG. 7

