



US00D445836S

(12) **United States Design Patent**
Willardson

(10) **Patent No.:** **US D445,836 S**

(45) **Date of Patent:** **** Jul. 31, 2001**

(54) **APPAREL DESIGNATOR**
(75) **Inventor:** **Donald J. Willardson**, Provo, UT (US)
(73) **Assignee:** **DBW Marketing, Inc.**, Provo, UT (US)
(**) **Term:** **14 Years**

3,535,808	10/1970	Morrish	40/322
3,898,754	*	8/1975 Johansson	40/322
4,045,899	*	9/1977 Richardson	40/322
4,198,773	4/1980	Batts et al.	40/322
4,679,340	7/1987	Johansson	40/322
5,586,697	12/1996	Johansson	223/85

* cited by examiner

(21) **Appl. No.:** **29/133,891**
(22) **Filed:** **Dec. 8, 2000**

Primary Examiner—Marcus A. Jackson
(74) *Attorney, Agent, or Firm*—Lloyd W. Sadler

(51) **LOC (7) Cl.** **20-02**
(52) **U.S. Cl.** **D20/28; D6/328**
(58) **Field of Search** **D6/315, 328; D20/22-28;**
40/316, 322; 223/85, 88, 87, 89, 91-94

(57) **CLAIM**
The ornamental design for the apparel designator, as shown and described.

DESCRIPTION

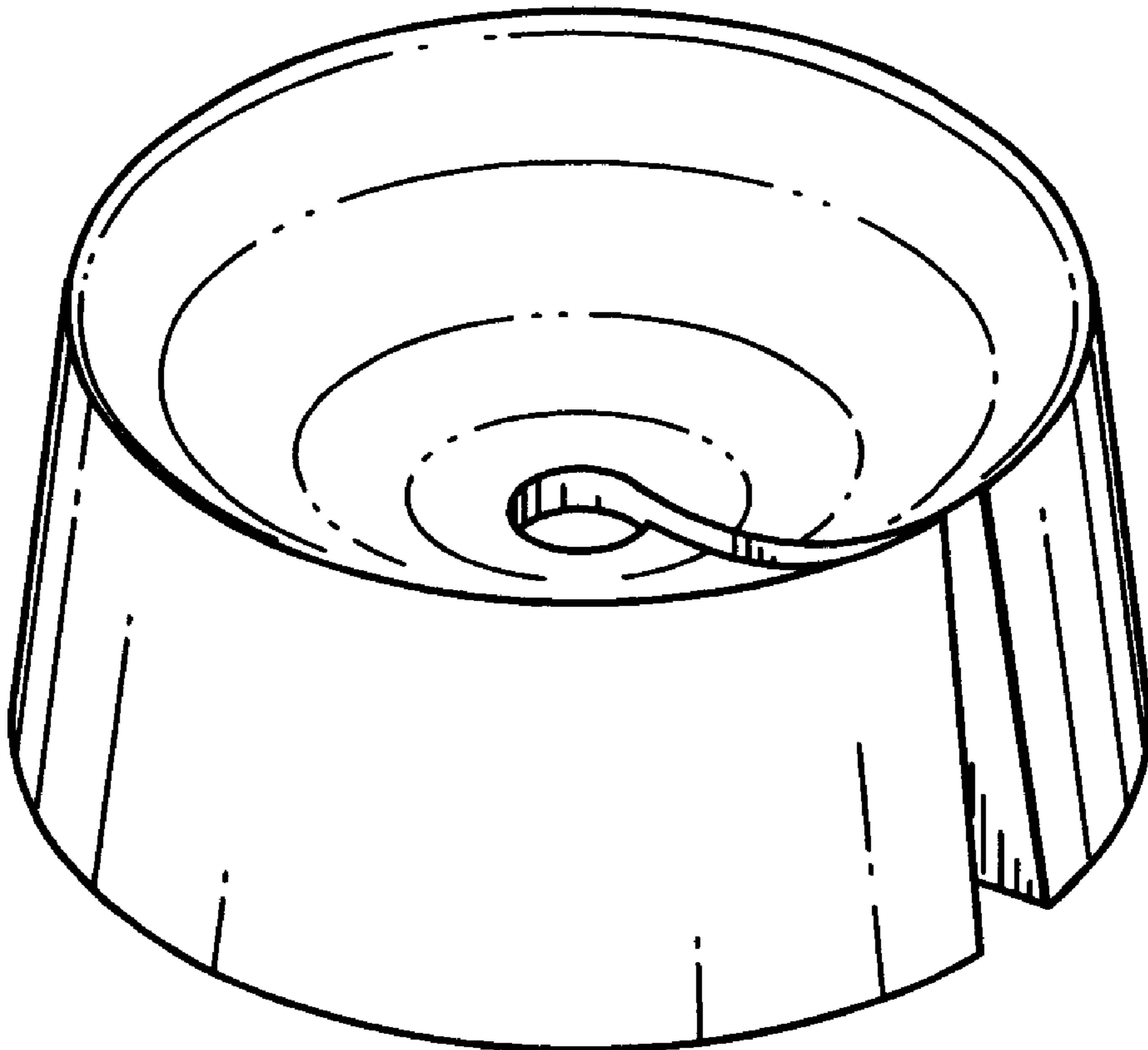
(56) **References Cited**

U.S. PATENT DOCUMENTS

D. 244,197	5/1977	Ostroll	D20/28
D. 421,683	*	3/2000 Willardson	D6/328
D. 421,848	3/2000	Willardson	D6/328
D. 421,849	3/2000	Willardson	D6/328
D. 421,850	3/2000	Willardson	D6/328
D. 422,153	4/2000	Willardson	D6/328
D. 423,798	5/2000	Willardson	D6/328
D. 424,818	5/2000	Willardson	D6/328
D. 425,710	5/2000	Willardson	D6/328
D. 430,410	9/2000	Willardson	D6/328
1,575,775	3/1926	Lesser .	
2,850,819	9/1958	Payne	40/3

FIG. 1 is a perspective view of the apparel designator in use. FIG. 2 is an enlarged perspective view of the apparel designator alone. FIG. 3 is a somewhat reduced top plan view thereof. FIG. 4 is a front side elevation view. FIG. 5 is a rear side elevation view. FIG. 6 is a right side elevation view, the left side elevation views being the same as the rear side elevation view; and, FIG. 7 is a bottom plan view. The broken lines in FIG. 1 are for illustrative purposes only and form no part of the claimed design.

1 Claim, 2 Drawing Sheets



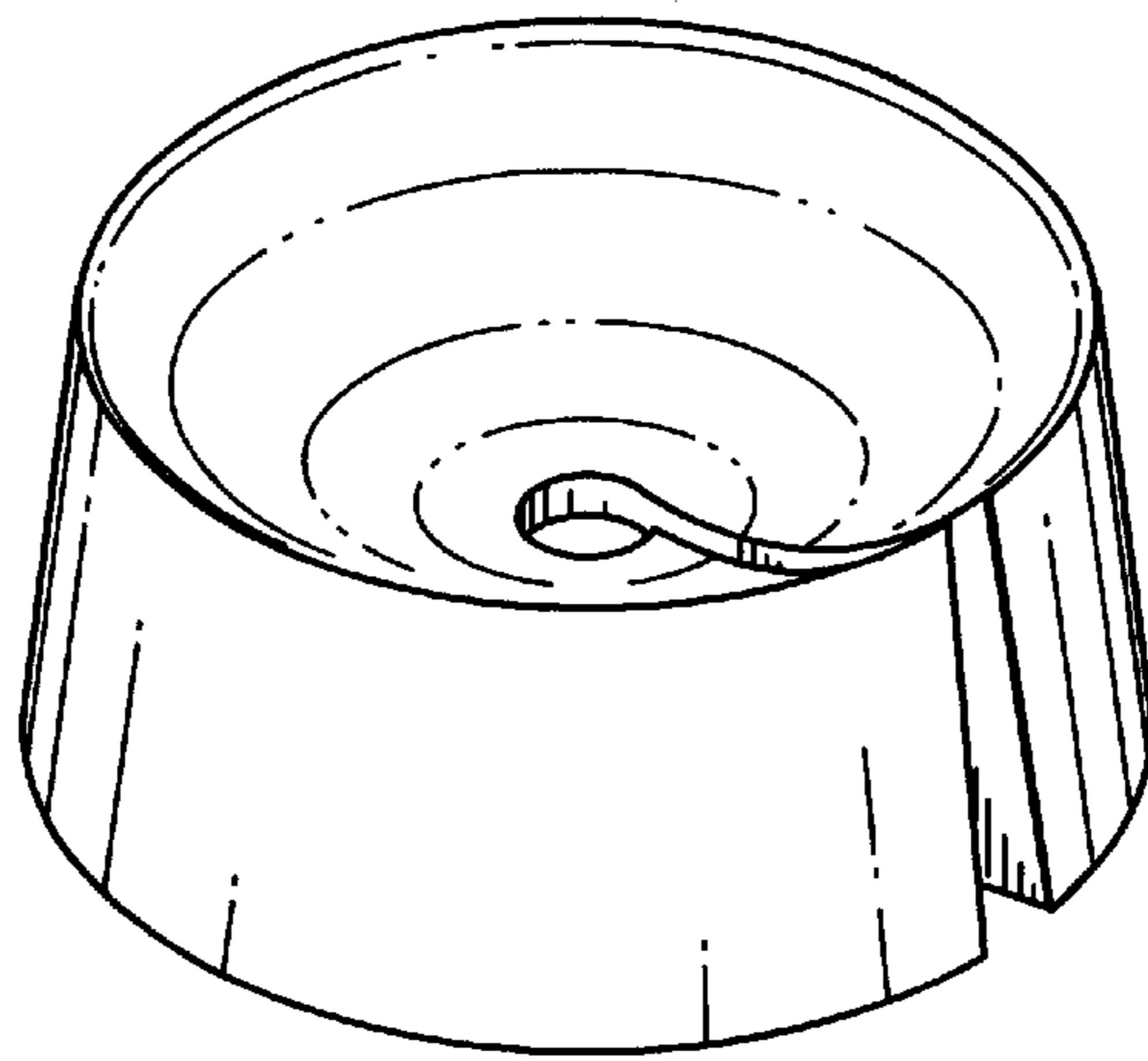
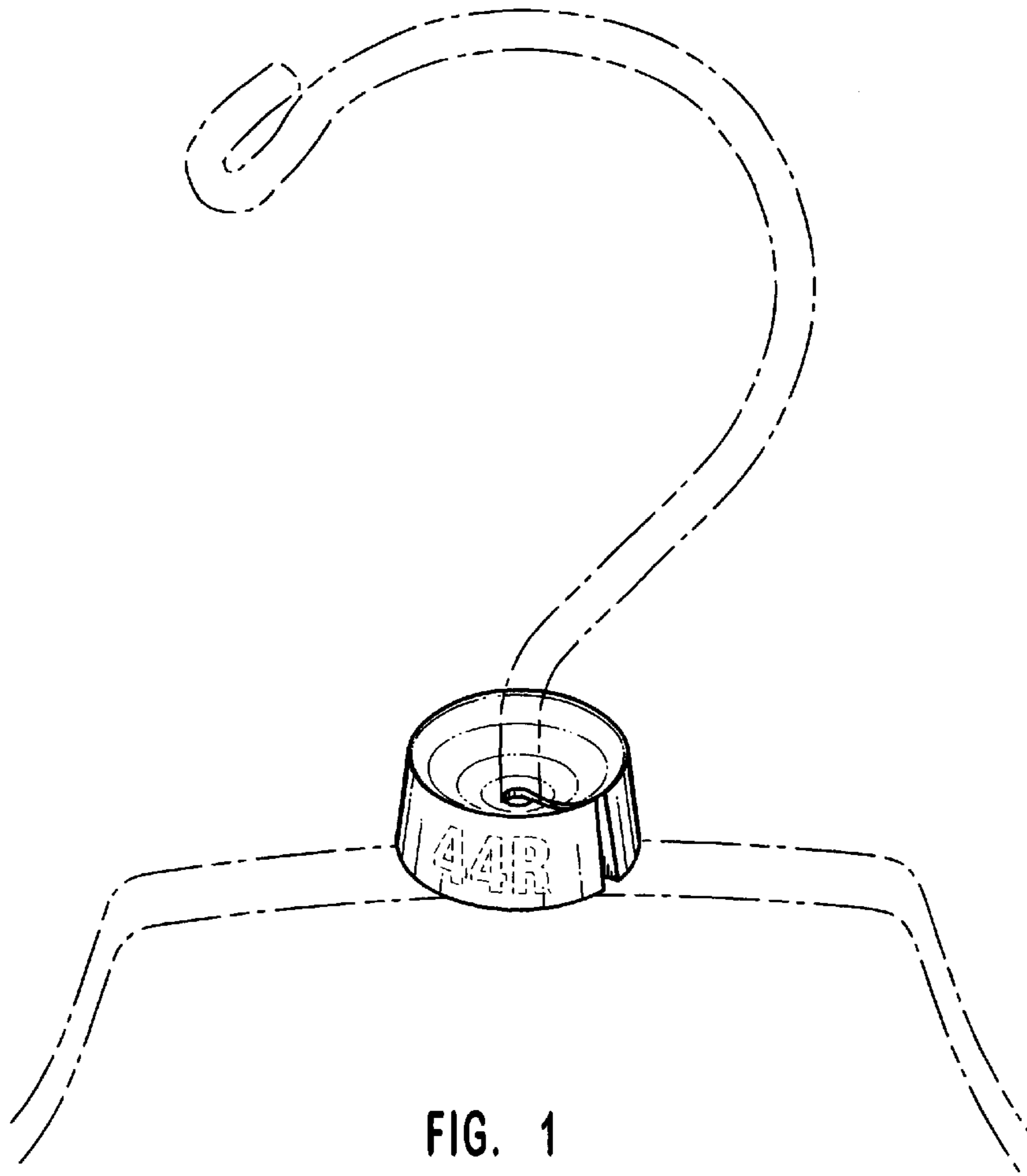


FIG. 2

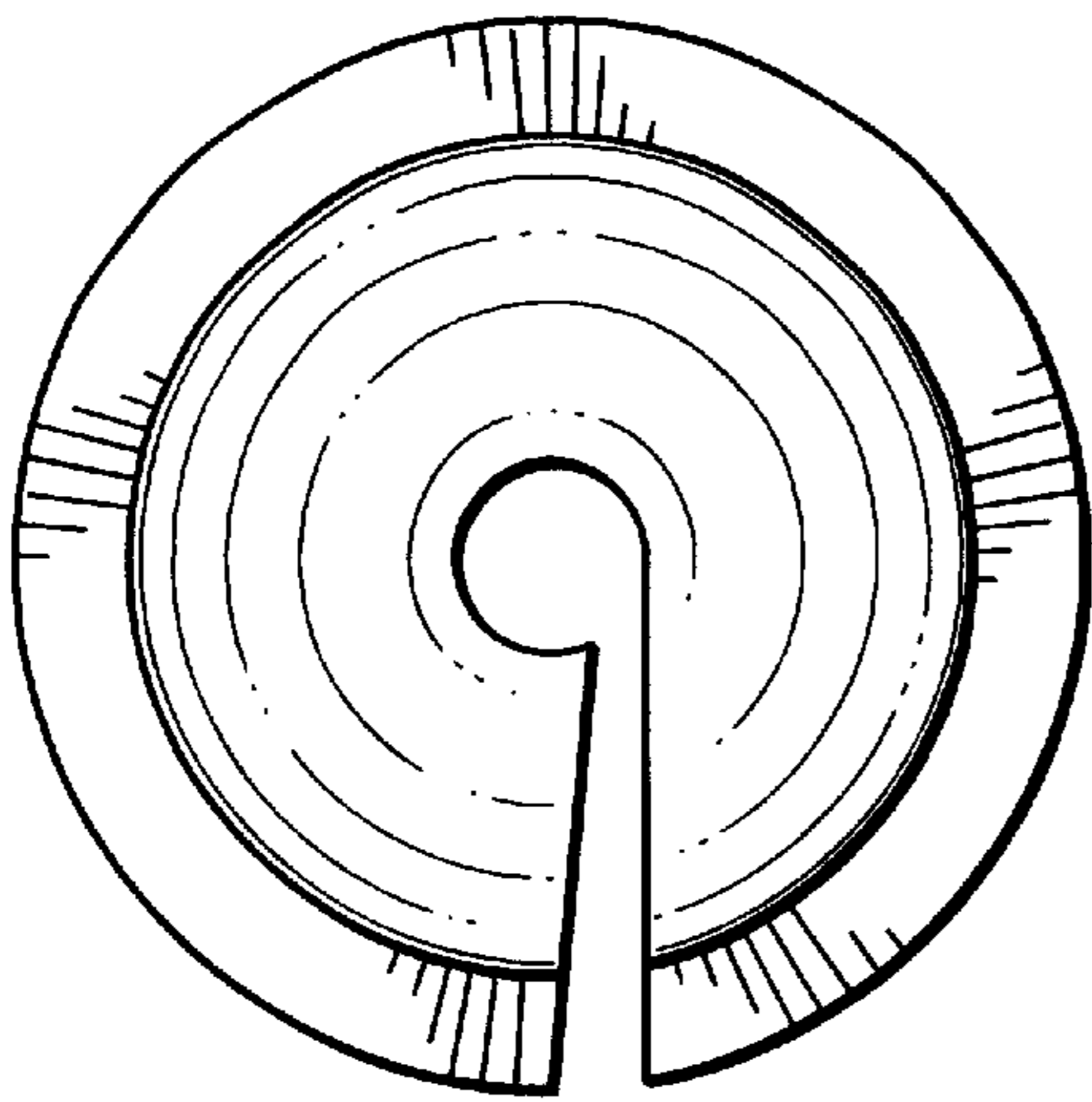


FIG. 3

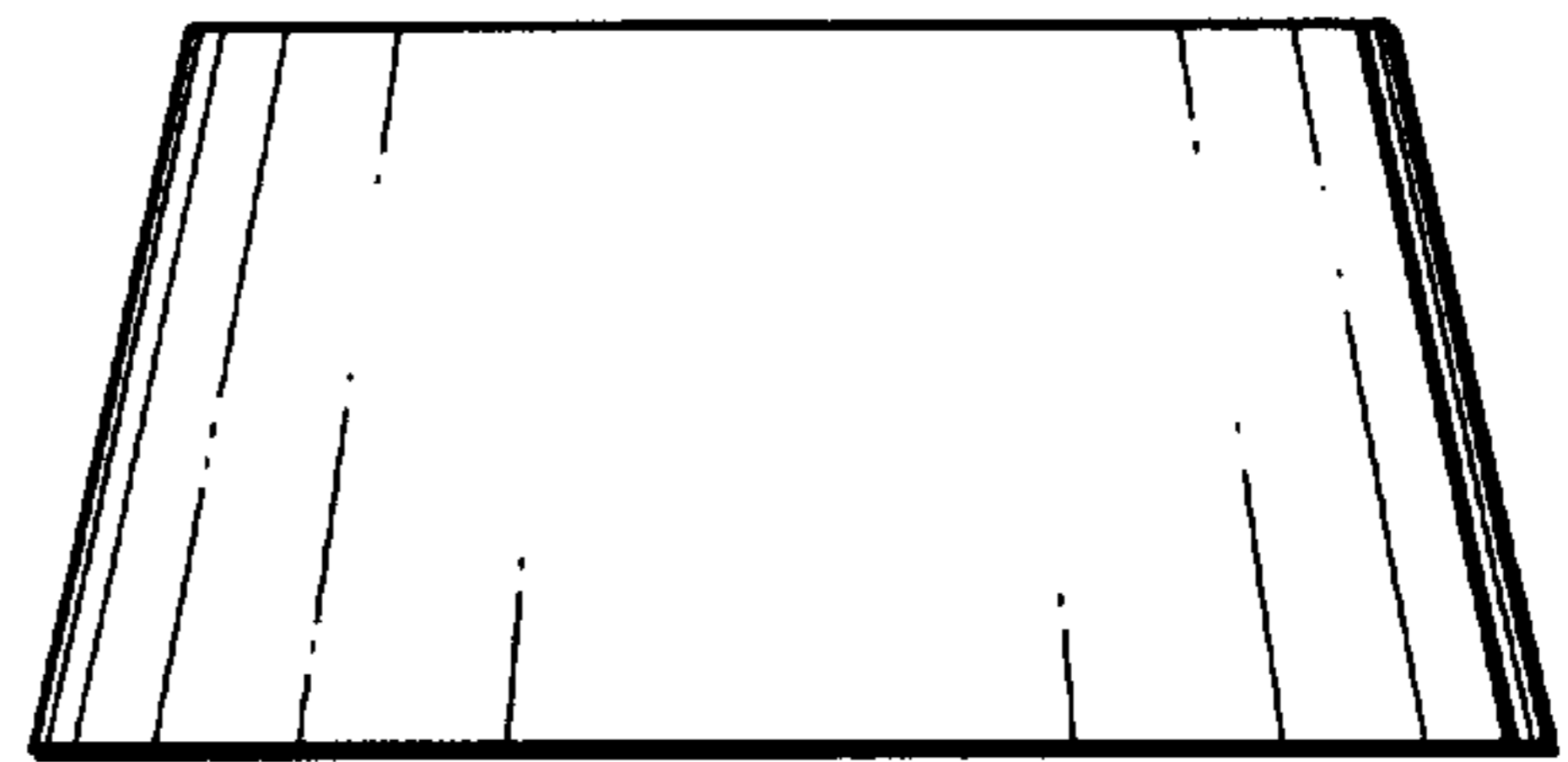


FIG. 5

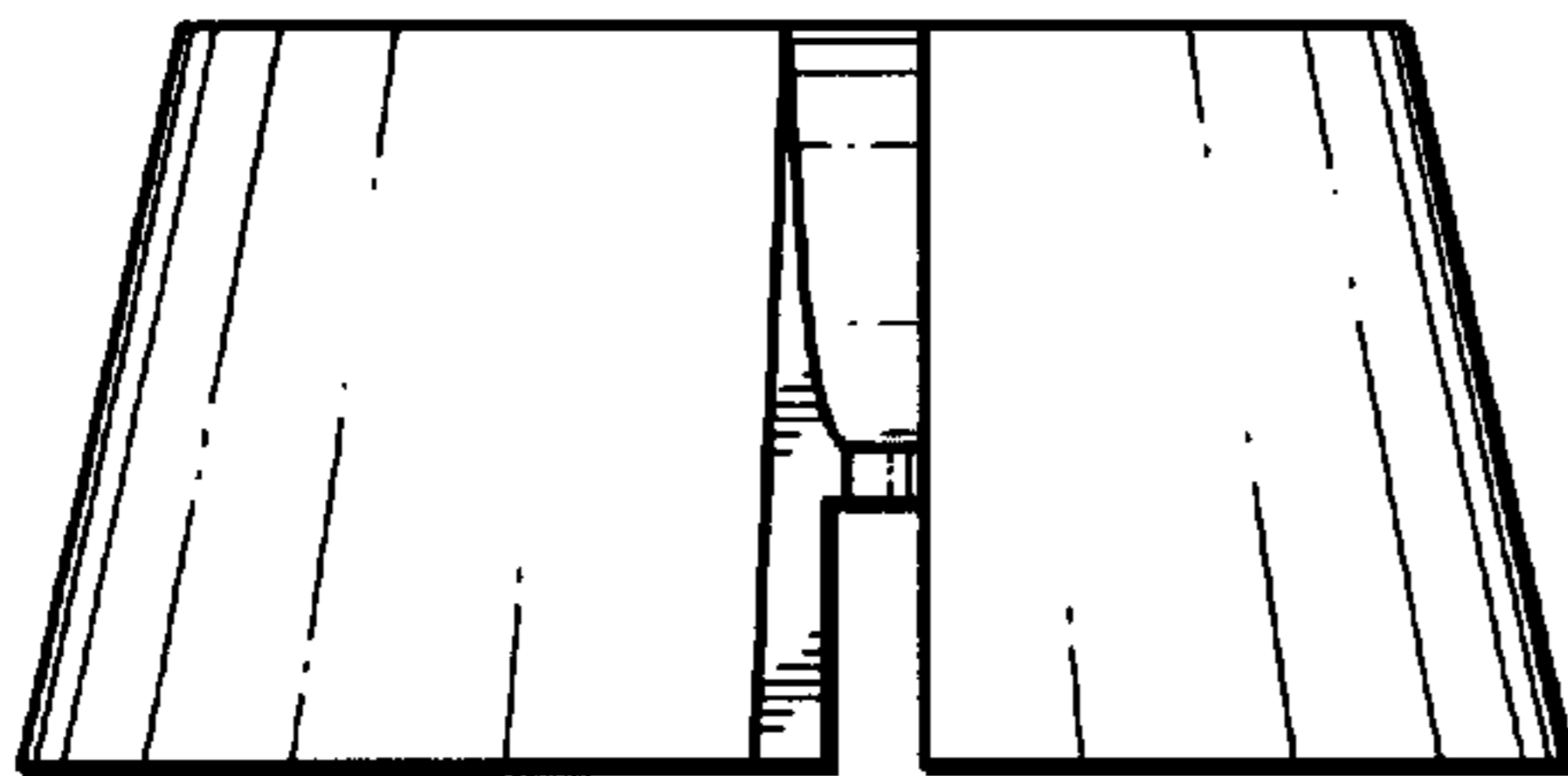


FIG. 4

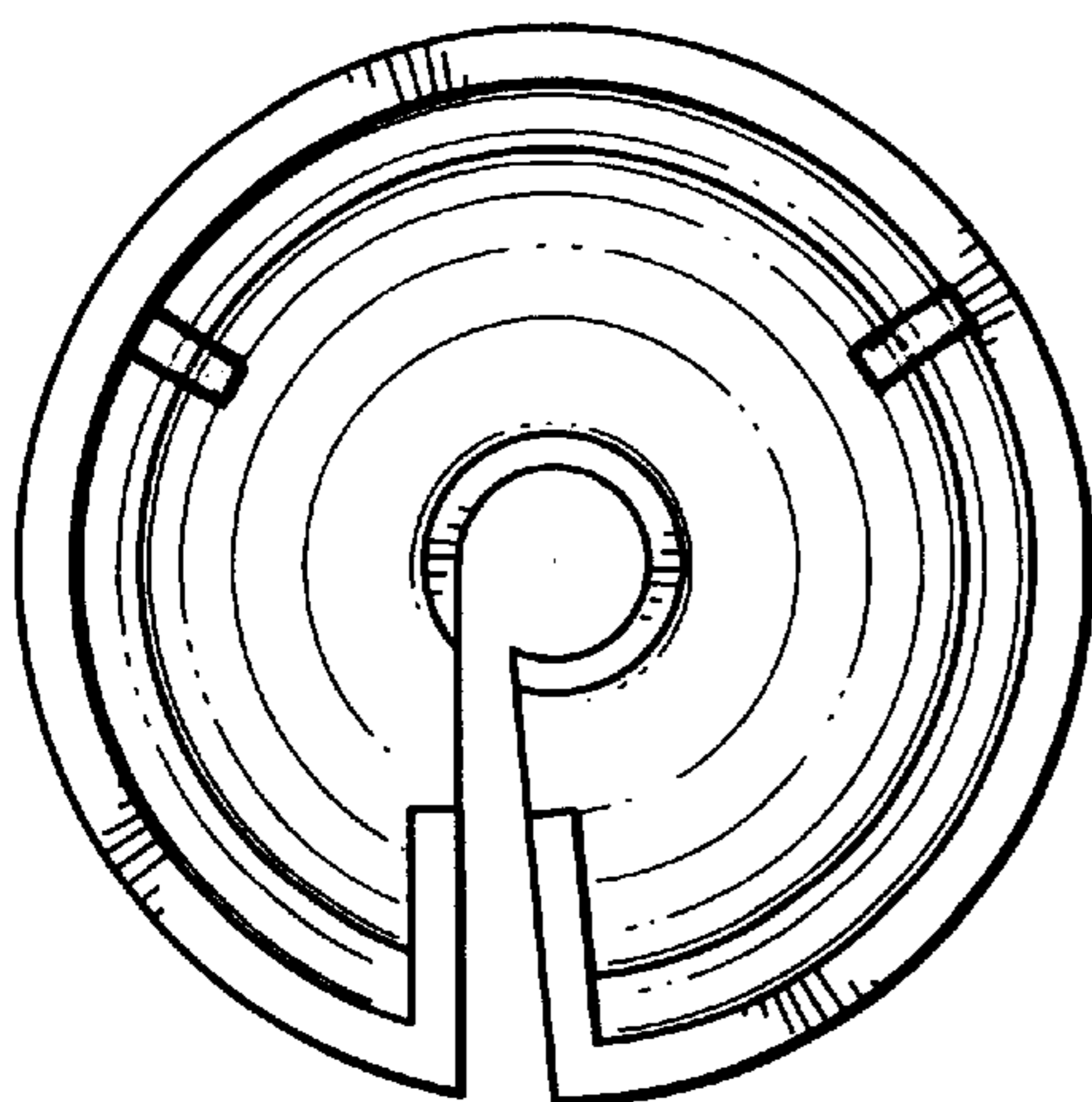


FIG. 7

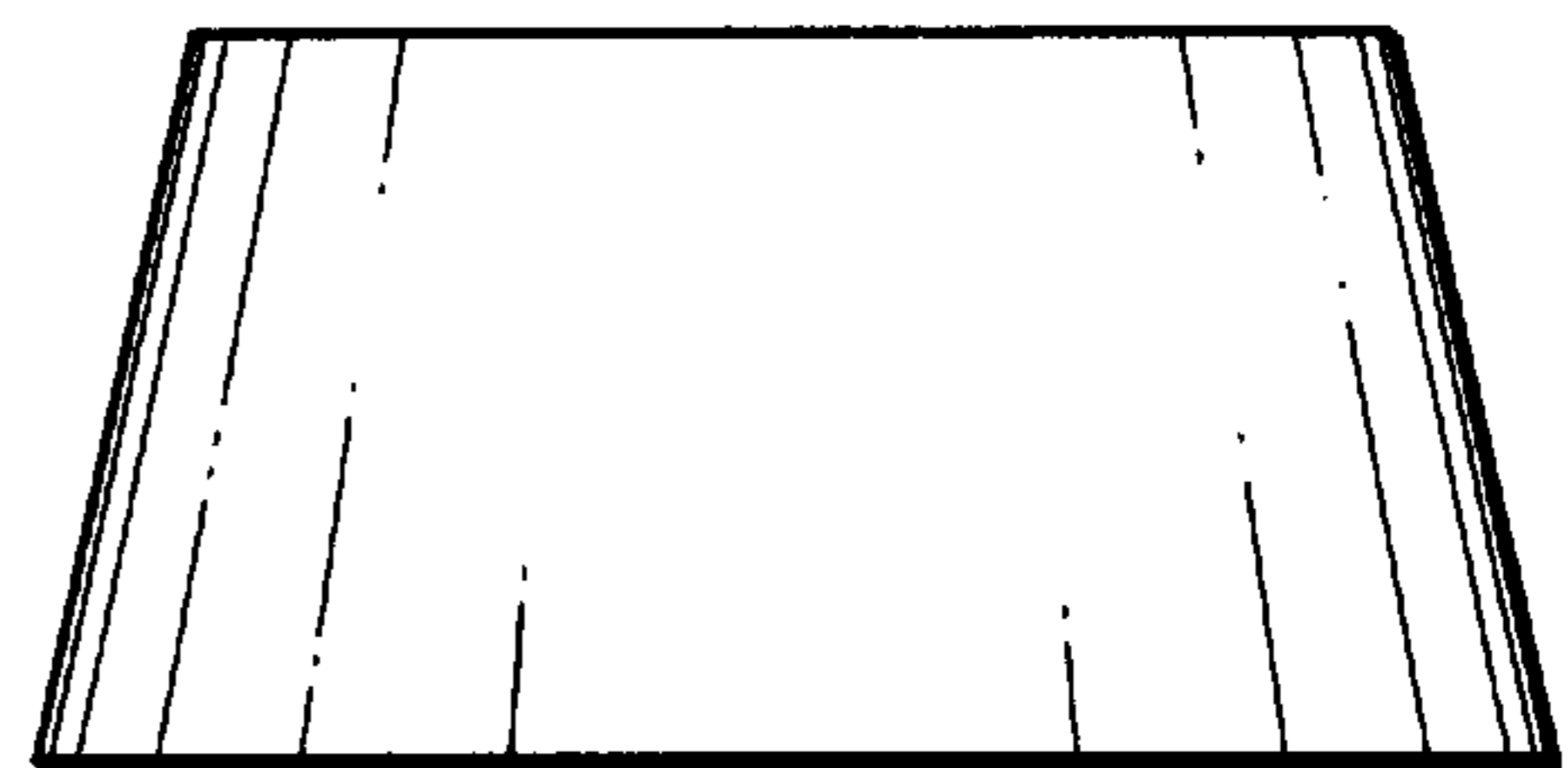


FIG. 6