



US00D445834S

(12) **United States Design Patent**
Huang

(10) **Patent No.:** **US D445,834 S**

(45) **Date of Patent:** **** Jul. 31, 2001**

(54) **MAGNETIC CLIP**

(76) Inventor: **Te-Ming Huang**, 1F, No. 6, Lane 43,
Shui-Yuan Road, Taipei (TW)

(**) Term: **14 Years**

(21) Appl. No.: **29/129,887**

(22) Filed: **Sep. 23, 2000**

(51) **LOC (7) Cl.** **19-06**

(52) **U.S. Cl.** **D19/78; D19/65; D19/83;**
D8/395

(58) **Field of Search** **D8/394, 395; D19/35,**
D19/36, 65, 75, 77, 78, 81-85, 86, 90,
91, 99, 100; 211/69.1-69.9, 88.01; 24/67.1-67.11,
67 R, 504, 507, 510; 248/441.1, 451, 452

(56) **References Cited**

U.S. PATENT DOCUMENTS

D. 302,568	*	8/1989	Berger	D19/65
D. 335,078	*	4/1993	Hampshire	D8/395
D. 375,976	*	11/1996	Marguerie	D19/65
D. 387,092	*	12/1997	Elkins	D19/78
1,899,509	*	2/1933	Lapin	211/88.1

5,079,808 * 1/1992 Brown 24/67.7

5,214,825 * 6/1993 Hirzel 24/67.9

5,400,483 * 3/1995 Noda 24/499

* cited by examiner

Primary Examiner—Martie K. Holtje

(57) **CLAIM**

The ornamental design for a magnetic clip, as shown and described.

DESCRIPTION

FIG. 1 is a perspective view of a magnetic clip showing my new design;

FIG. 2 is a front elevational view thereof;

FIG. 3 is a rear elevational view thereof;

FIG. 4 is a left side elevational view thereof;

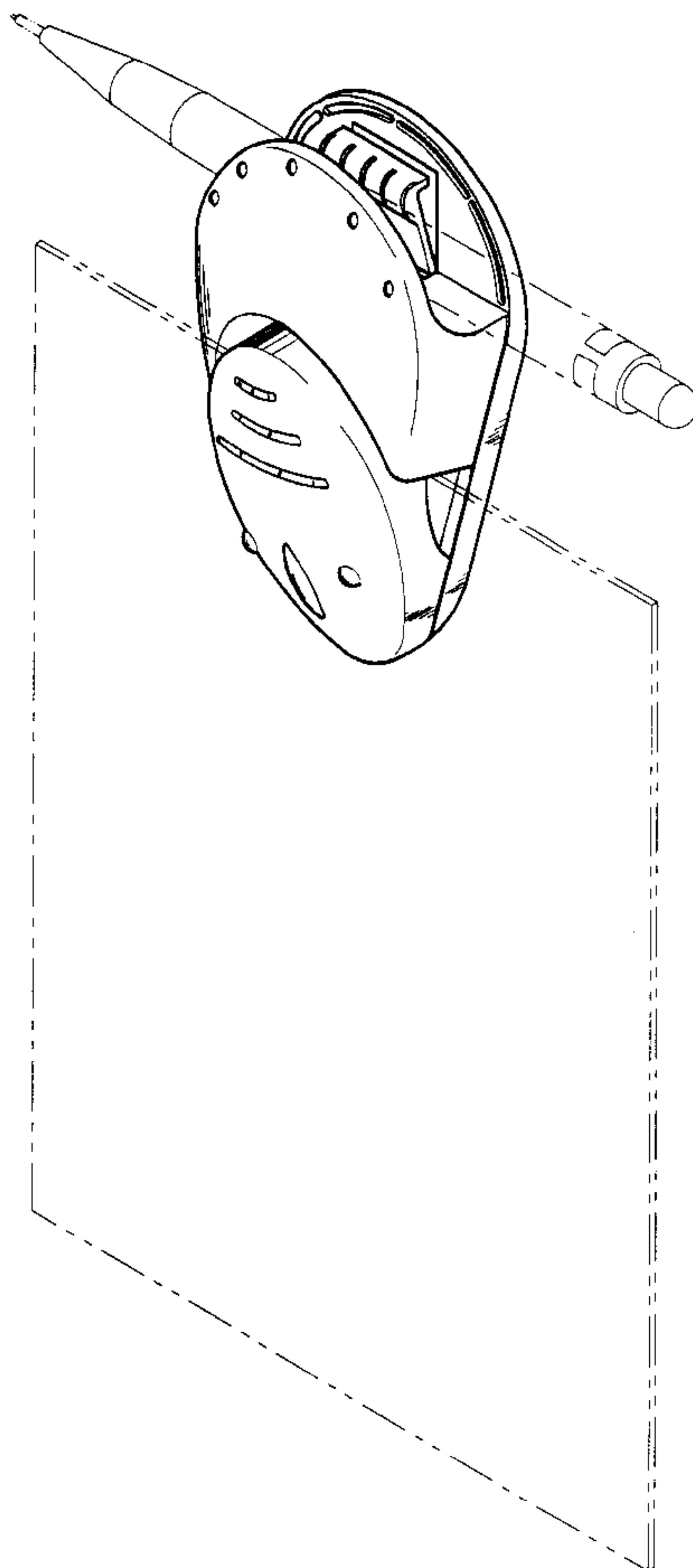
FIG. 5 is right side elevational view thereof;

FIG. 6 is a top view thereof;

FIG. 7 is a bottom view thereof; and,

FIG. 8 is a perspective view of my design, the writing instrument and paper sheet depicted by means of broken lines being shown for illustrative purposes only and forming no part of the claimed design.

1 Claim, 8 Drawing Sheets



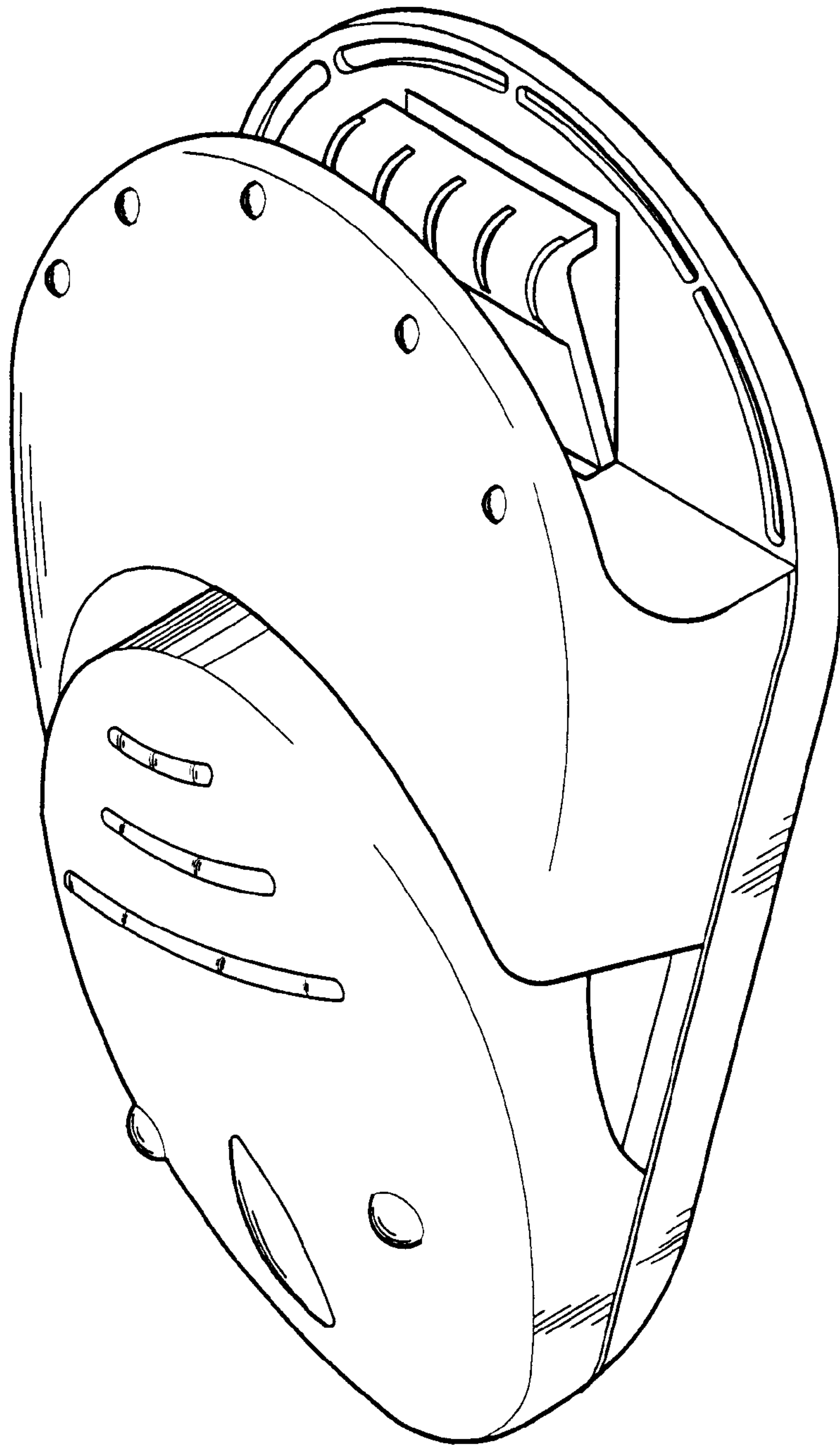


Fig.1

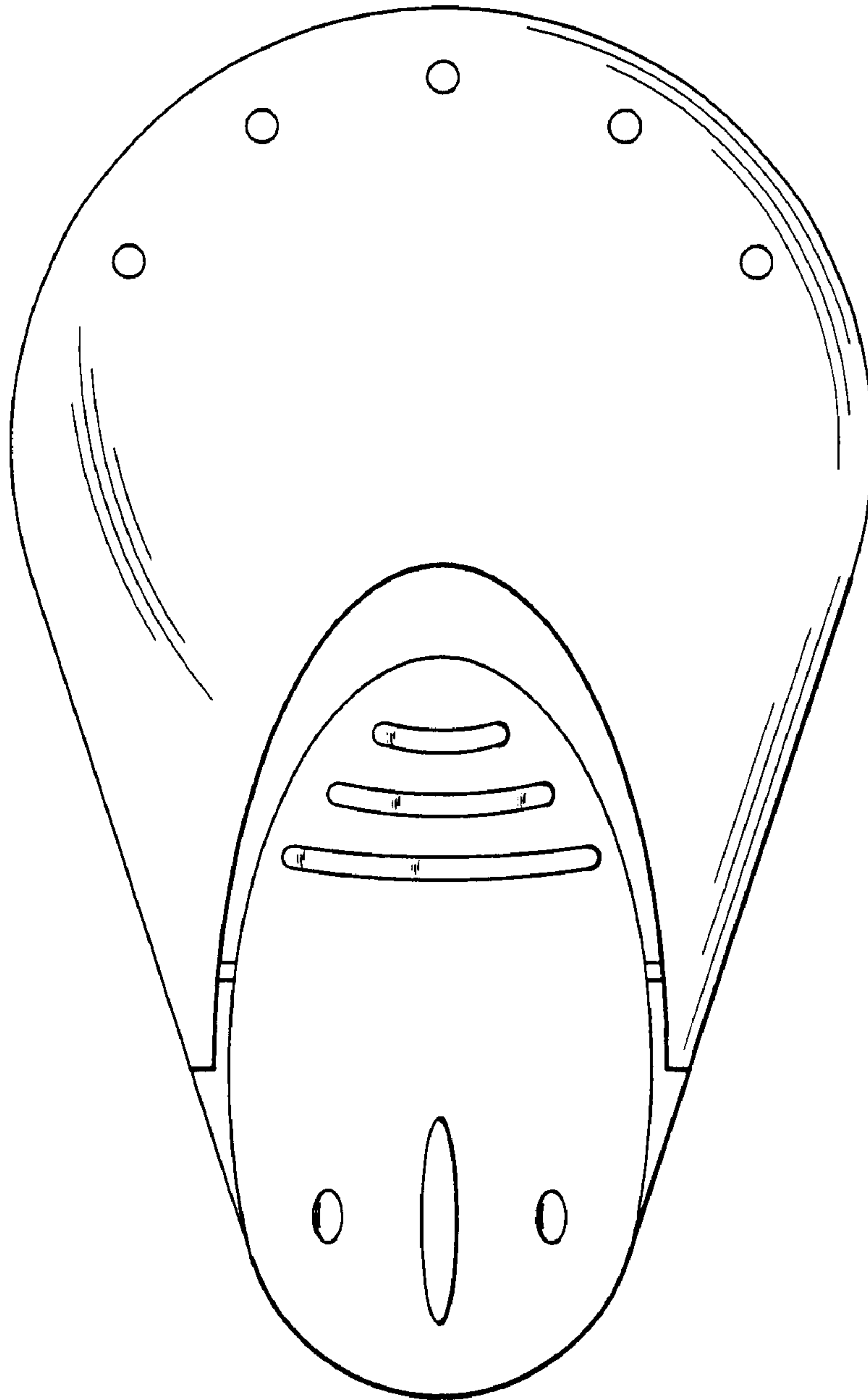


Fig.2

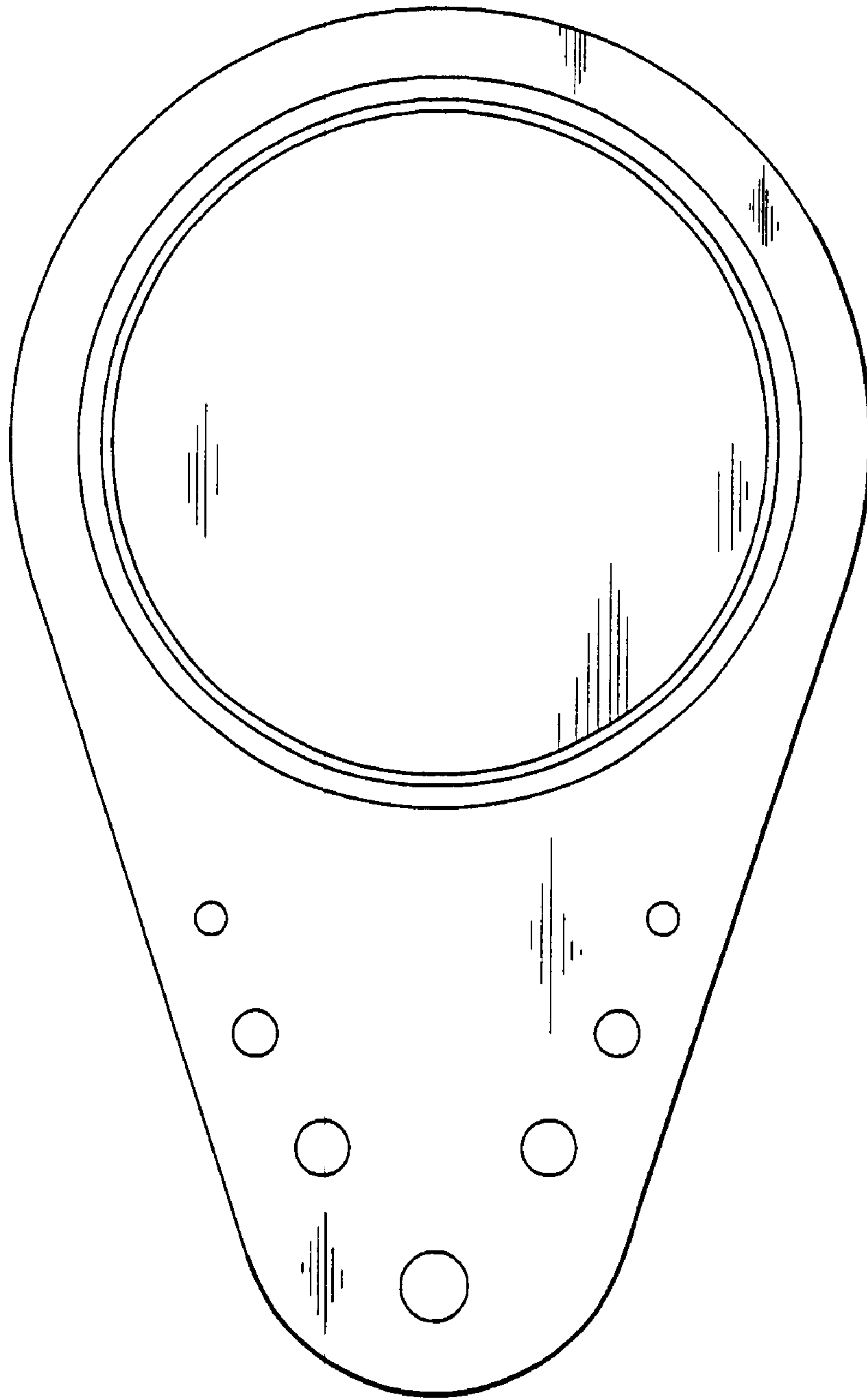


Fig.3

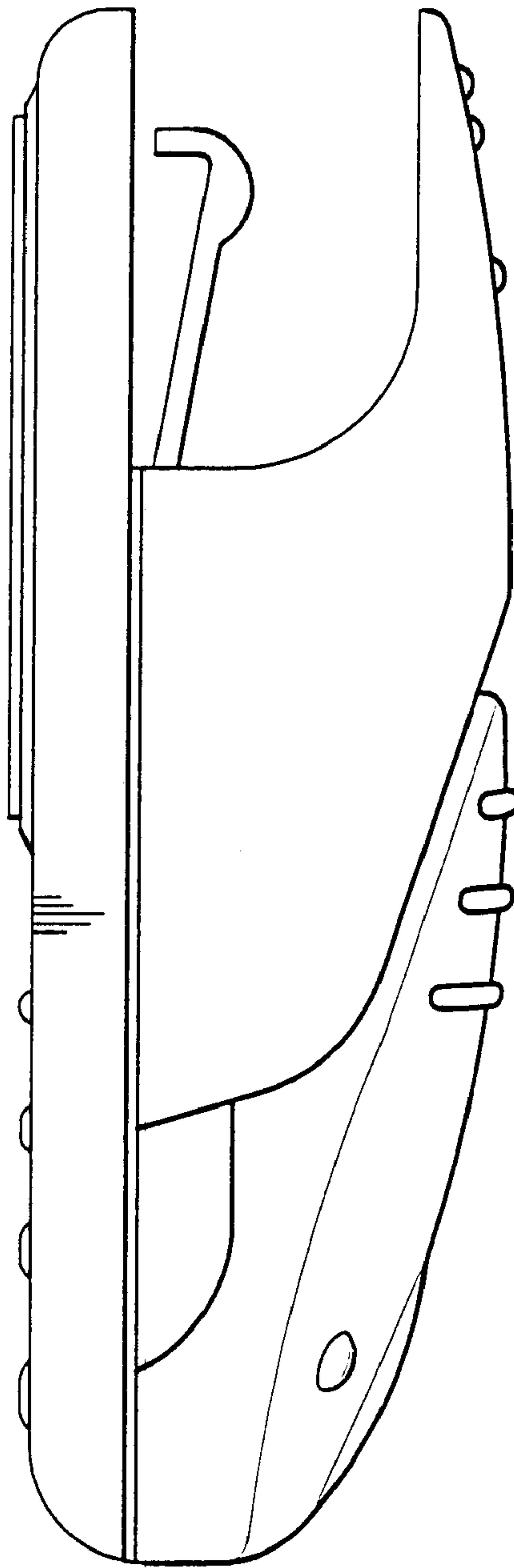


Fig.4

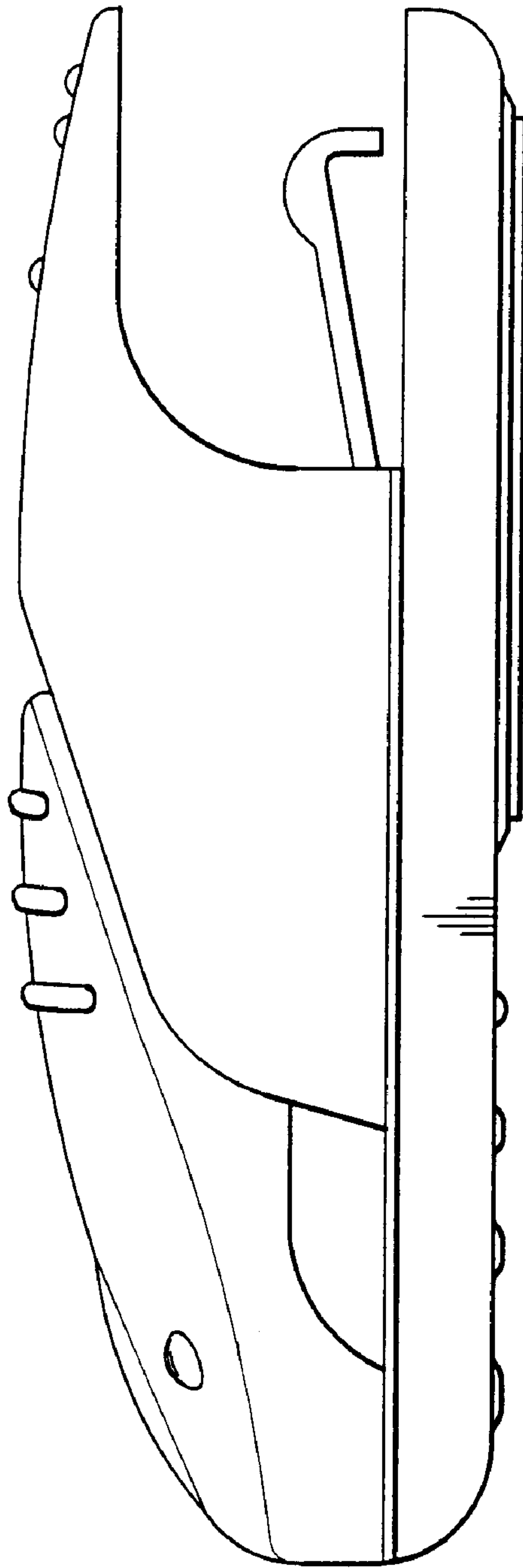


Fig.5

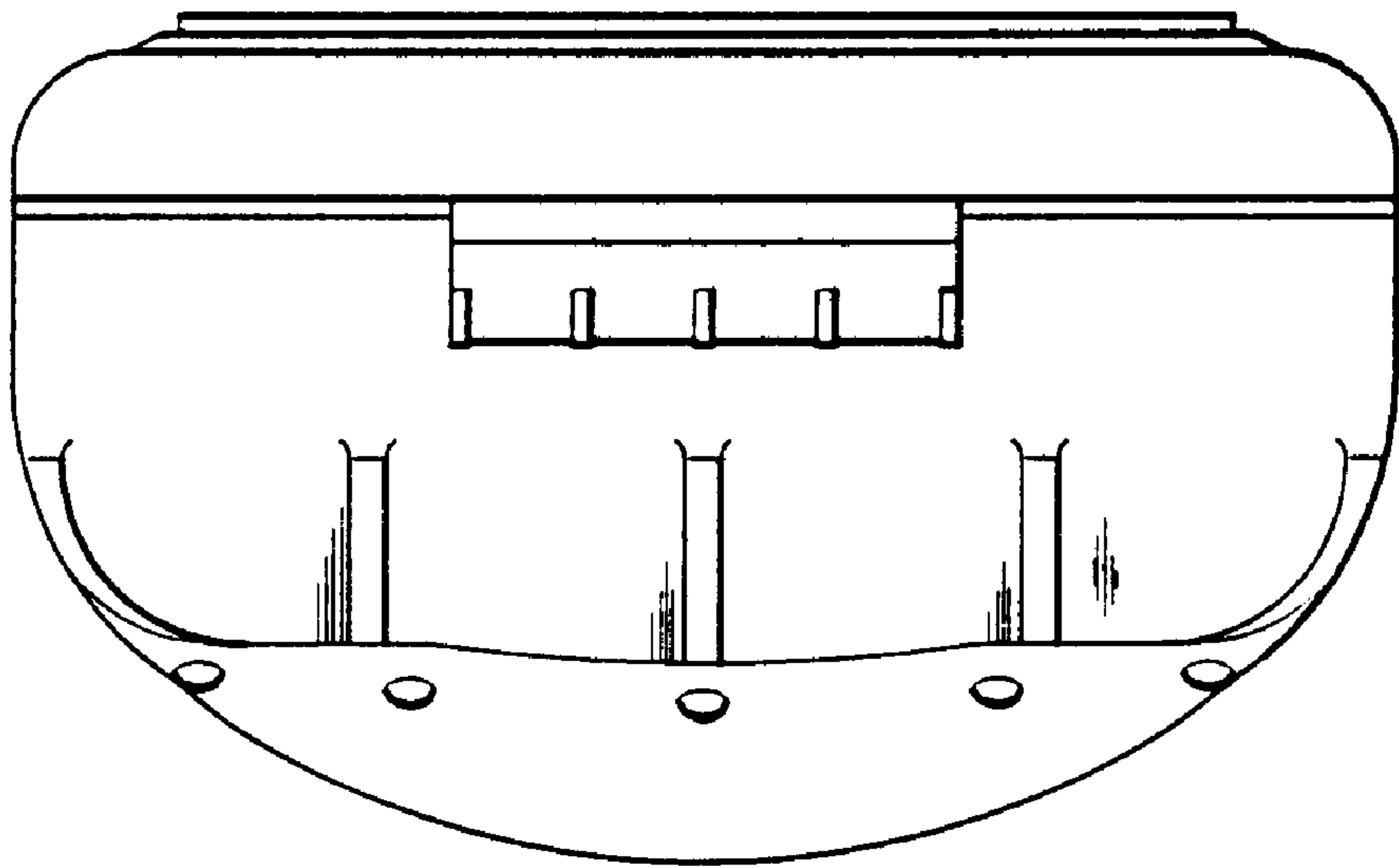


Fig.6

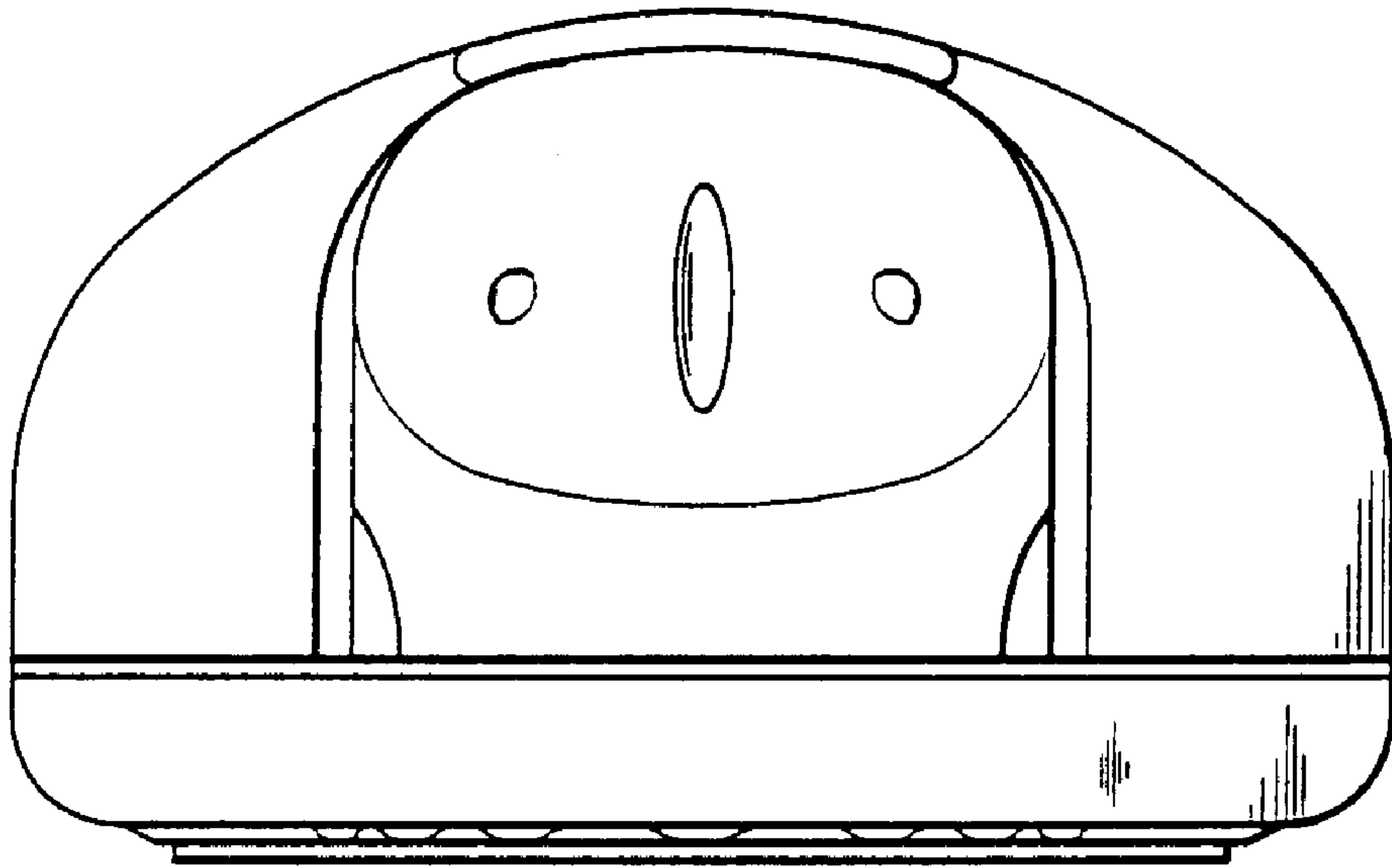


Fig.7

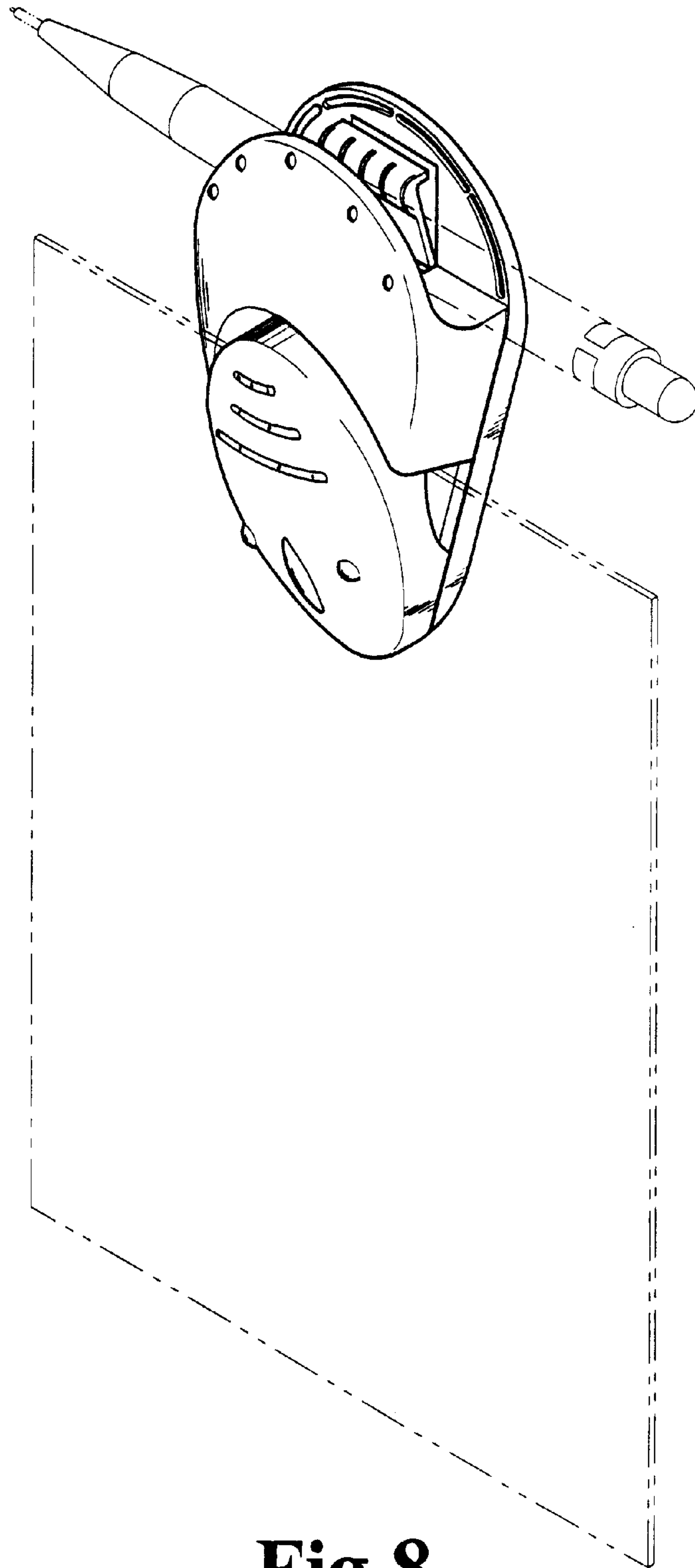


Fig.8