



US00D445832S

(12) **United States Design Patent**  
**Chan**

(10) **Patent No.:** **US D445,832 S**

(45) **Date of Patent:** **\*\* Jul. 31, 2001**

(54) **PAPER PUNCH**

6,109,155 \* 8/2000 Huang ..... 83/628

(75) Inventor: **Siu-Leung Chan**, Hong Kong (CN)

**OTHER PUBLICATIONS**

(73) Assignee: **Tung Yung Stationery Manufactory Limited**, Hong Kong (CN)

Miller Office Products, c1998, see p. 822, circled punches.\*

Miller Office Products, c1998, see p. 823, circled punch.\*

(\*\*) Term: **14 Years**

\* cited by examiner

(21) Appl. No.: **29/128,700**

*Primary Examiner*—Martie K. Holtje

(74) *Attorney, Agent, or Firm*—Alix, Yale & Ristas, LLP

(22) Filed: **Aug. 29, 2000**

(57) **CLAIM**

(51) **LOC (7) Cl.** ..... **19-02**

The ornamental design for a paper punch, as shown and described.

(52) **U.S. Cl.** ..... **D19/72; D19/65**

(58) **Field of Search** ..... D19/65, 72, 95,  
D19/99, 100; D8/98, 49-51; 30/358, 363;  
83/167, 588, 618, 628, 632, 633, 571, 549,  
625-627, 667, 669, 684

**DESCRIPTION**

(56) **References Cited**

**U.S. PATENT DOCUMENTS**

D. 202,007	*	8/1965	Murray	.....	D19/72
3,073,199	*	1/1963	Yerkes	.....	83/549
4,656,907	*	4/1987	Hymmen	.....	83/571
5,632,188	*	5/1997	Karlis	.....	83/167
5,829,334	*	11/1998	Evans et al.	.....	83/618

FIG. 1 is a perspective view of a paper punch showing my new design;

FIG. 2 is a front elevational view thereof;

FIG. 3 is a top plan view thereof;

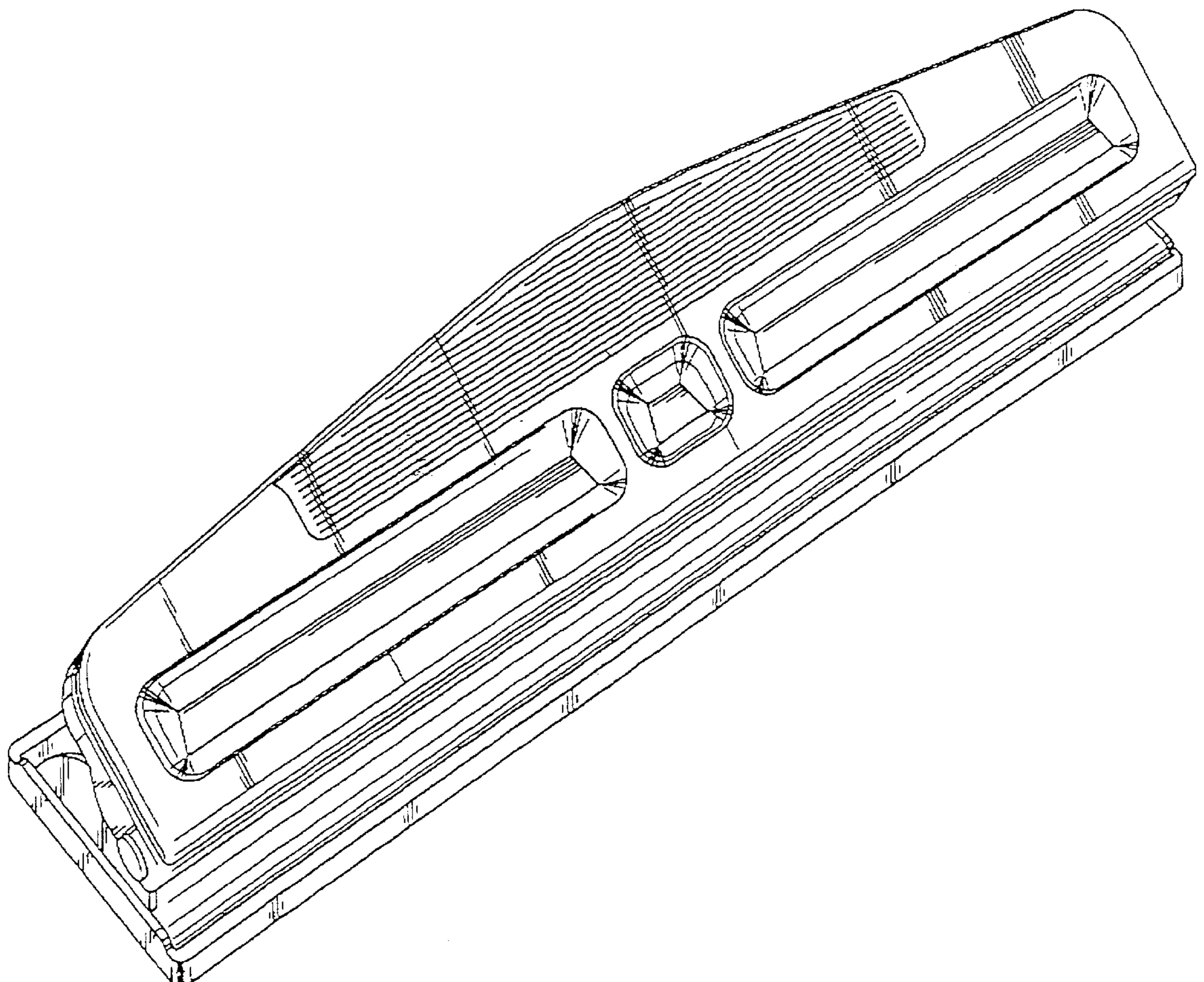
FIG. 4 is a left side elevational view thereof

FIG. 5 is a right side elevational view thereof;

FIG. 6 is a rear elevational view thereof; and,

FIG. 7 is a bottom plan view.

**1 Claim, 6 Drawing Sheets**



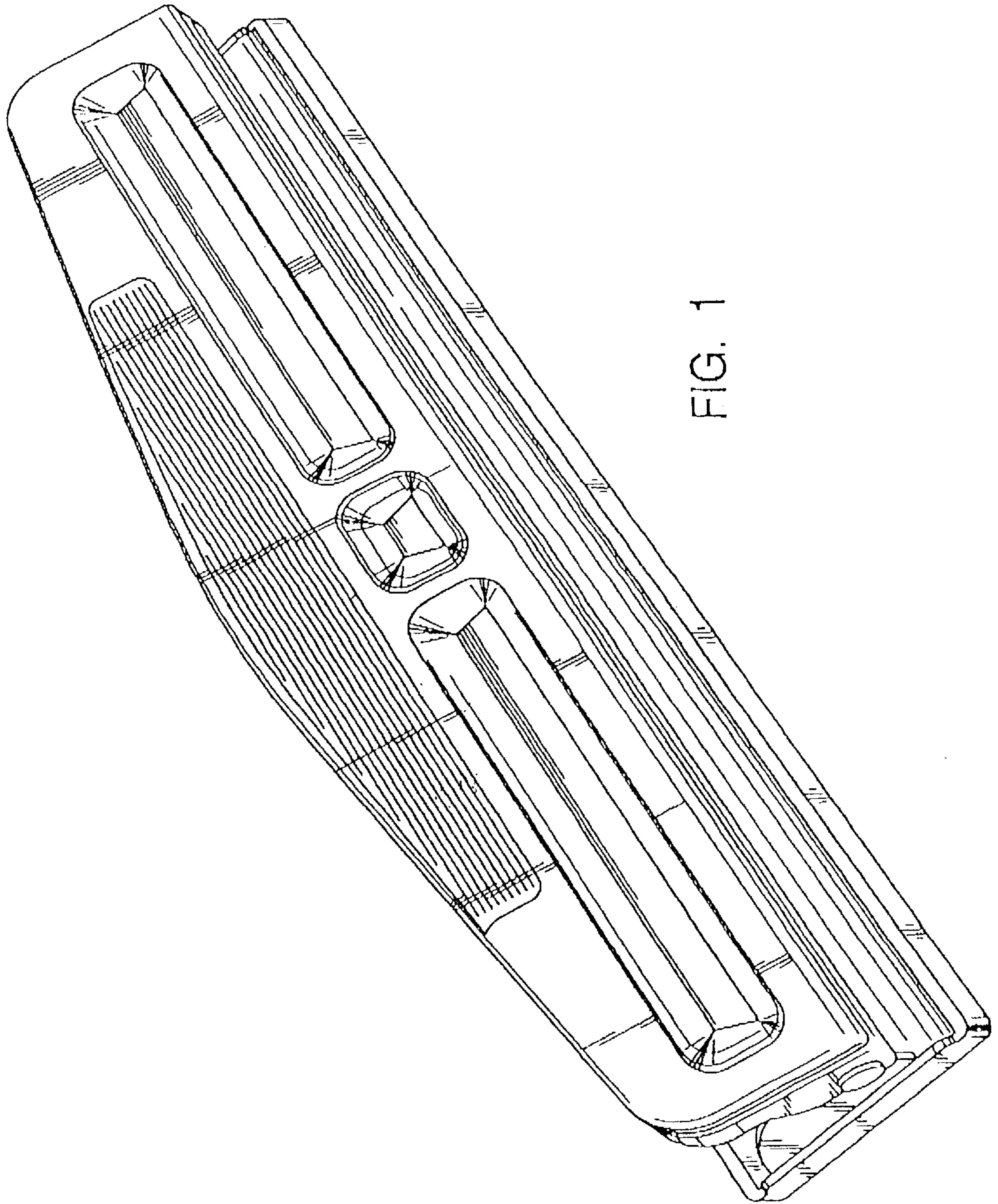


FIG. 1



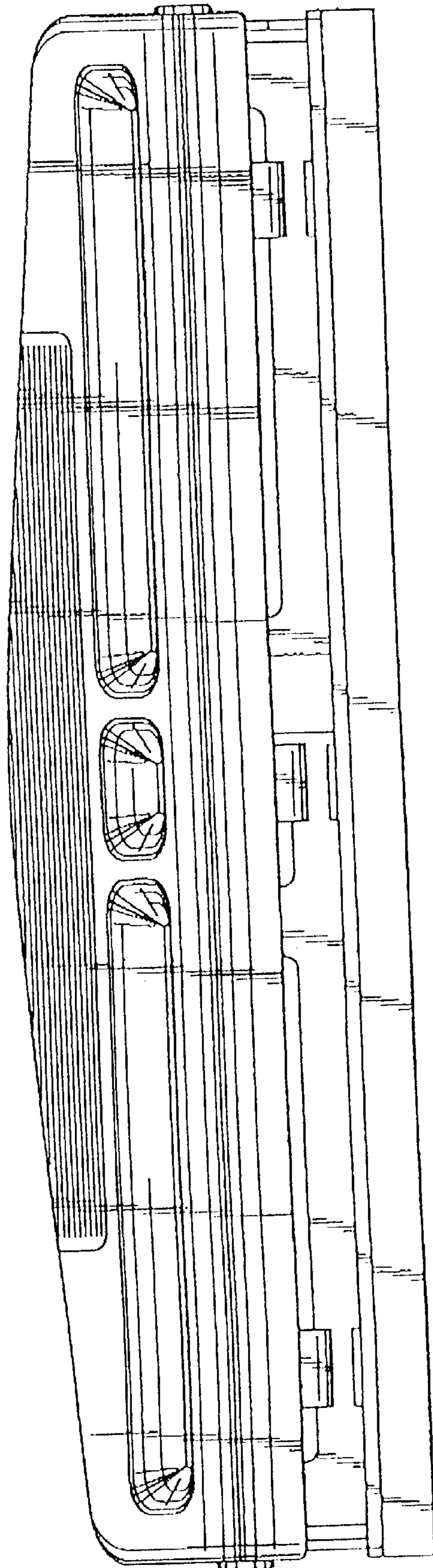


FIG. 2

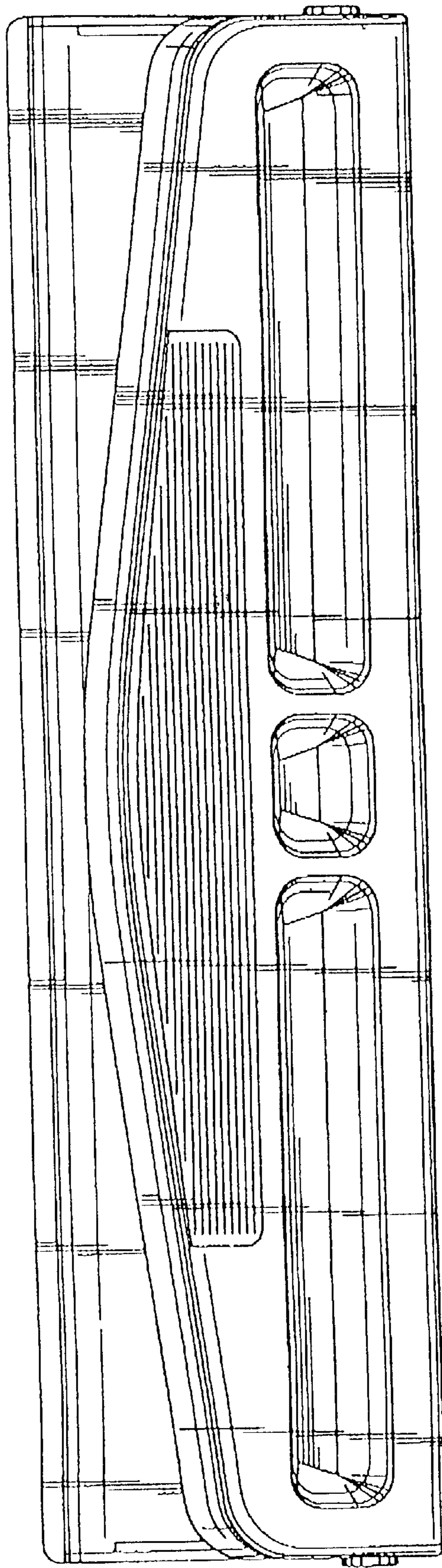


FIG. 3

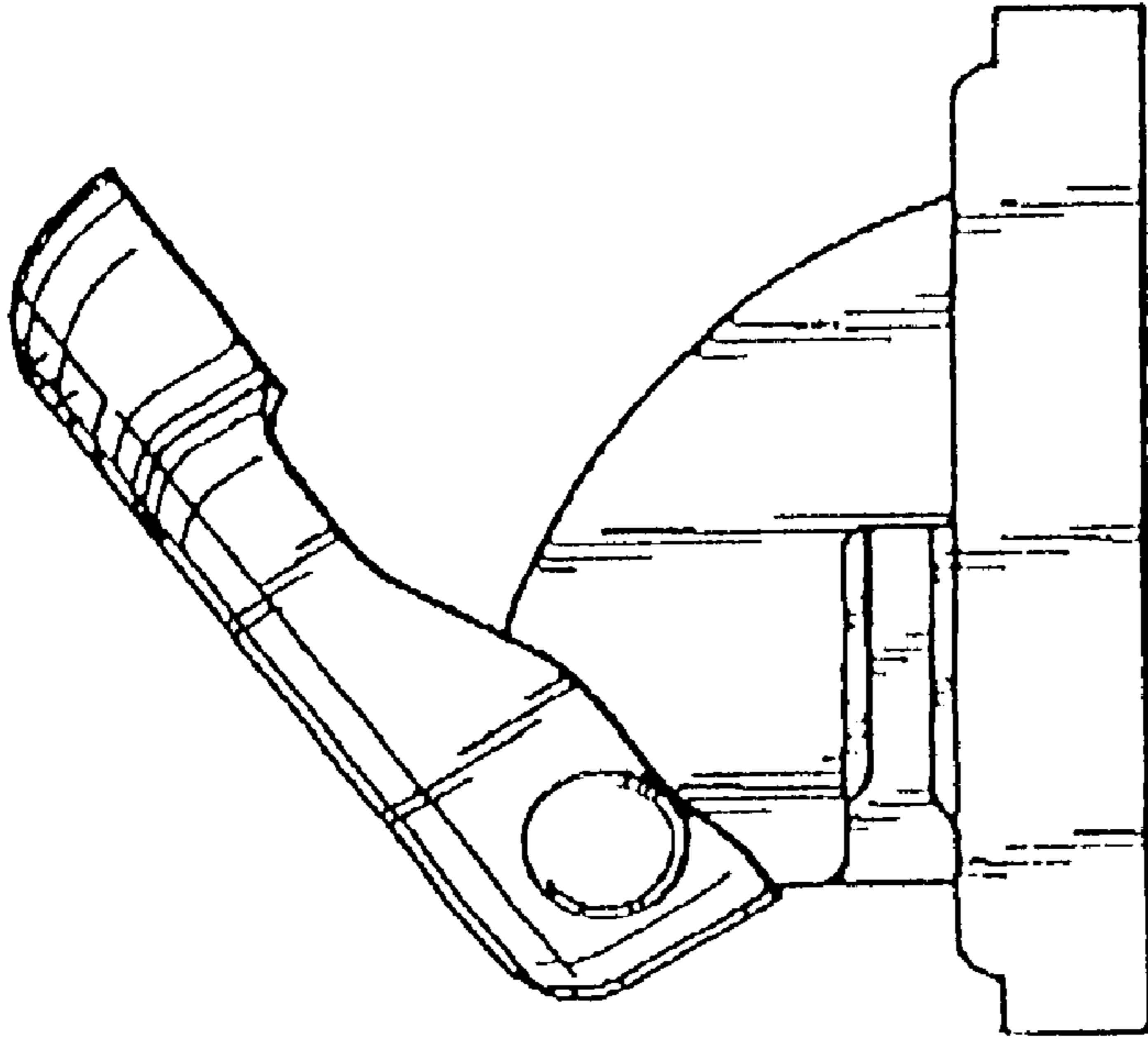


FIG. 5

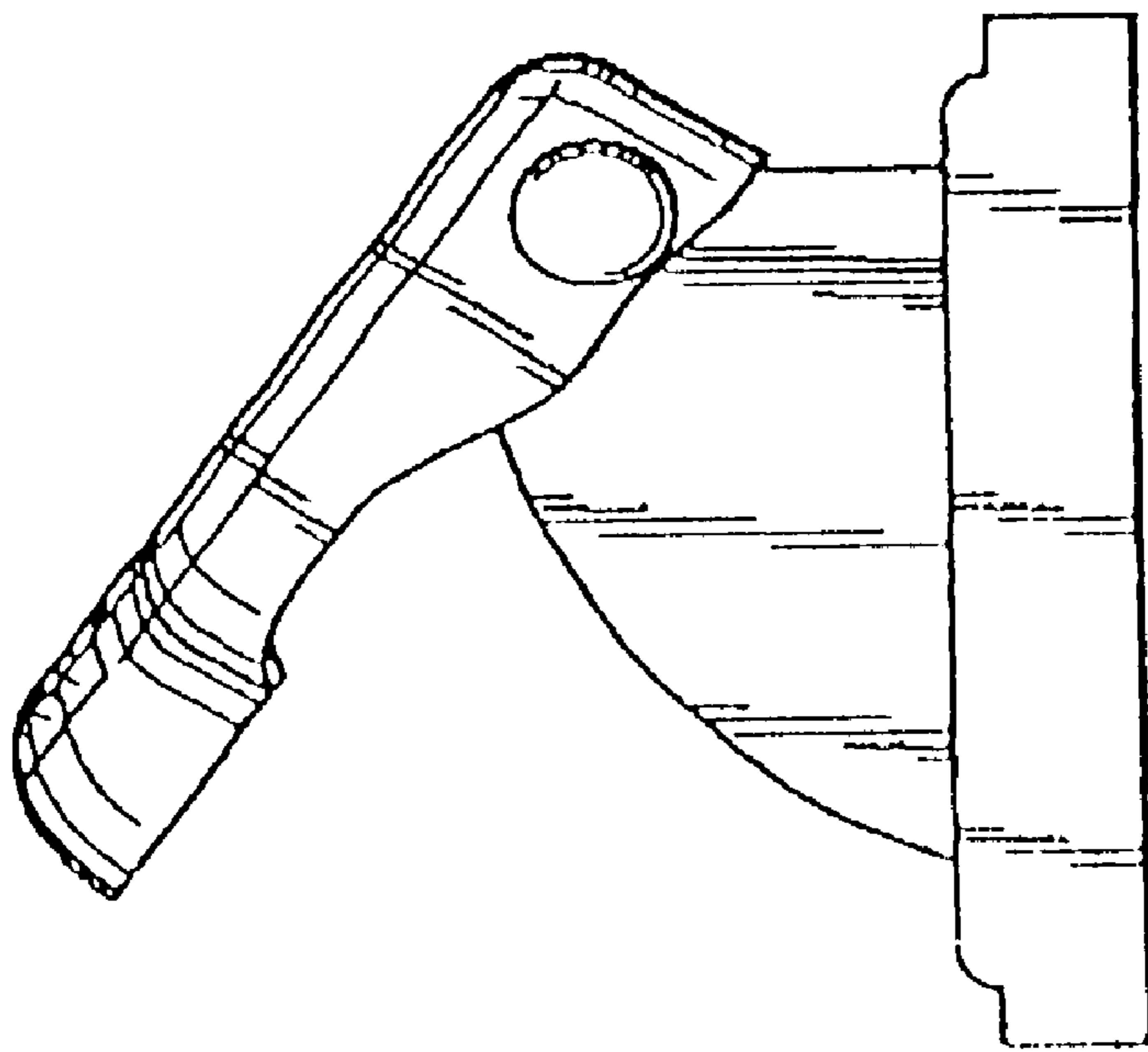


FIG. 4

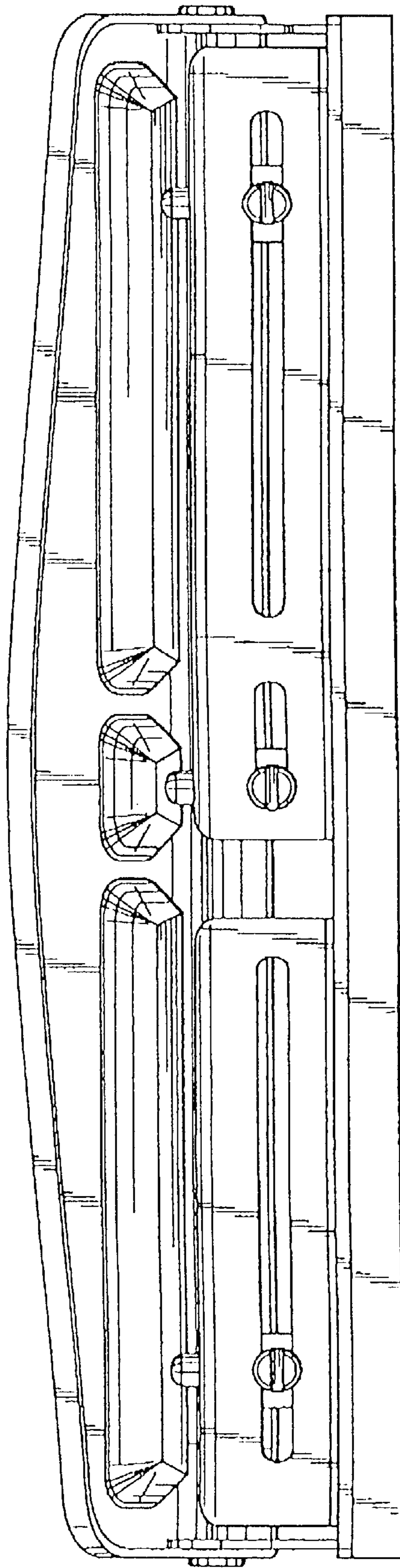


FIG. 6

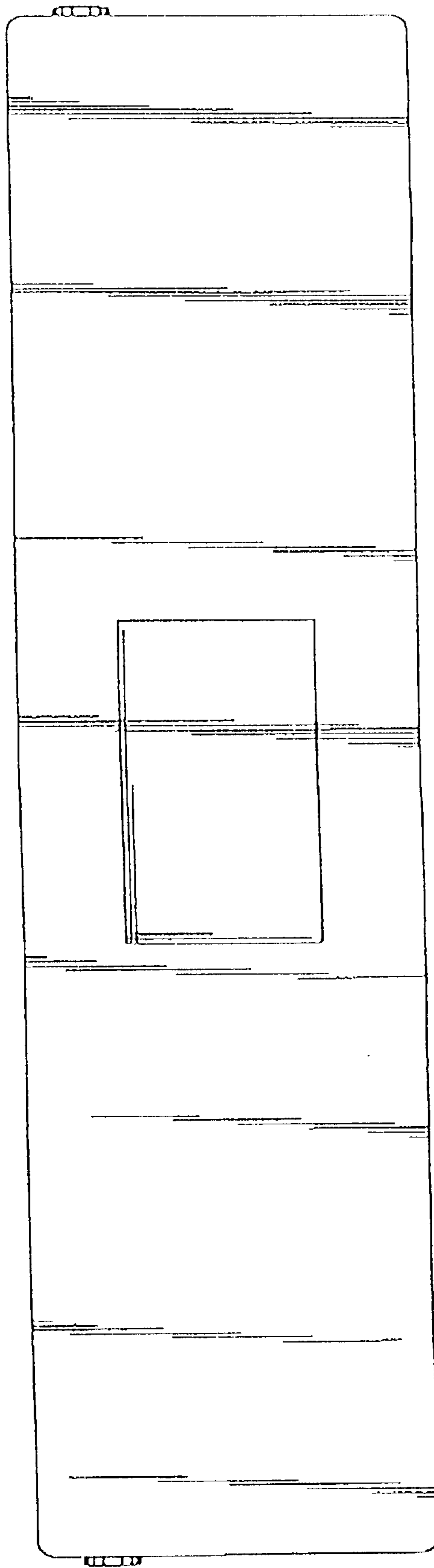


FIG. 7