



US00D445831S

(12) **United States Design Patent**
Lindner

(10) **Patent No.:** **US D445,831 S**

(45) **Date of Patent:** **** Jul. 31, 2001**

(54) **BINGO BALL DAUBER CAP**

4,212,468 * 7/1980 Knott 273/240

4,344,627 * 8/1982 Jones et al. 273/273

(76) **Inventor:** **Roxie Lindner**, 1304 E. Gaylord St.,
Mt. Pleasant, MI (US) 48858

5,419,592 * 5/1995 Stuart 101/405 X

5,713,681 2/1998 Venne et al. 401/202

(**) **Term:** **14 Years**

* cited by examiner

(21) **Appl. No.:** **29/131,162**

Primary Examiner—Martie K. Holtje

(74) *Attorney, Agent, or Firm*—Clark Hill PLC

(22) **Filed:** **Oct. 16, 2000**

(57) **CLAIM**

(51) **LOC (7) Cl.** **19-06**

The ornamental design for a bingo ball dauber cap, as shown and described.

(52) **U.S. Cl.** **D19/57; D19/42; D9/454**

(58) **Field of Search** D19/35, 36, 41-51,
D19/53-58, 81-85; D21/371, 377, 386,
390; 273/269, 240, 273, 288, 289; D18/15-17;
D9/307, 332, 333, 435, 451, 454; 401/202,
262; 101/405, 406

DESCRIPTION

(56) **References Cited**

FIG. 1 is a perspective view of a bingo ball dauber cap showing my new design;

FIG. 2 is a side elevational view thereof;

FIG. 3 is a side elevational view of the side opposite that shown in FIG. 2;

FIG. 4 is a top plan view thereof; and,

FIG. 5 is a bottom plan view thereof.

The letter and numerals depicted by means of broken lines in FIGS. 1 through 4, and the dauber bottle depicted by means of broken lines in FIG. 1 have been shown for illustrative purposes only and forms no part of the claimed design.

U.S. PATENT DOCUMENTS

| | | | | | |
|------------|---|---------|----------------|-------|---------|
| D. 158,935 | * | 6/1950 | Correale | | D21/390 |
| D. 303,926 | | 10/1989 | Venne et al. | | D9/349 |
| D. 325,751 | | 4/1992 | Futino | | D21/51 |
| D. 345,376 | | 3/1994 | Underwood, Jr. | | D19/48 |
| D. 367,293 | * | 2/1996 | Williams | | D19/51 |
| D. 381,042 | | 7/1997 | Roche | | D19/51 |
| D. 389,516 | * | 1/1998 | Delman | | D19/36 |
| D. 389,865 | * | 1/1998 | Venne et al. | | D19/48 |
| D. 396,244 | | 7/1998 | Venne et al. | | D19/43 |

1 Claim, 1 Drawing Sheet

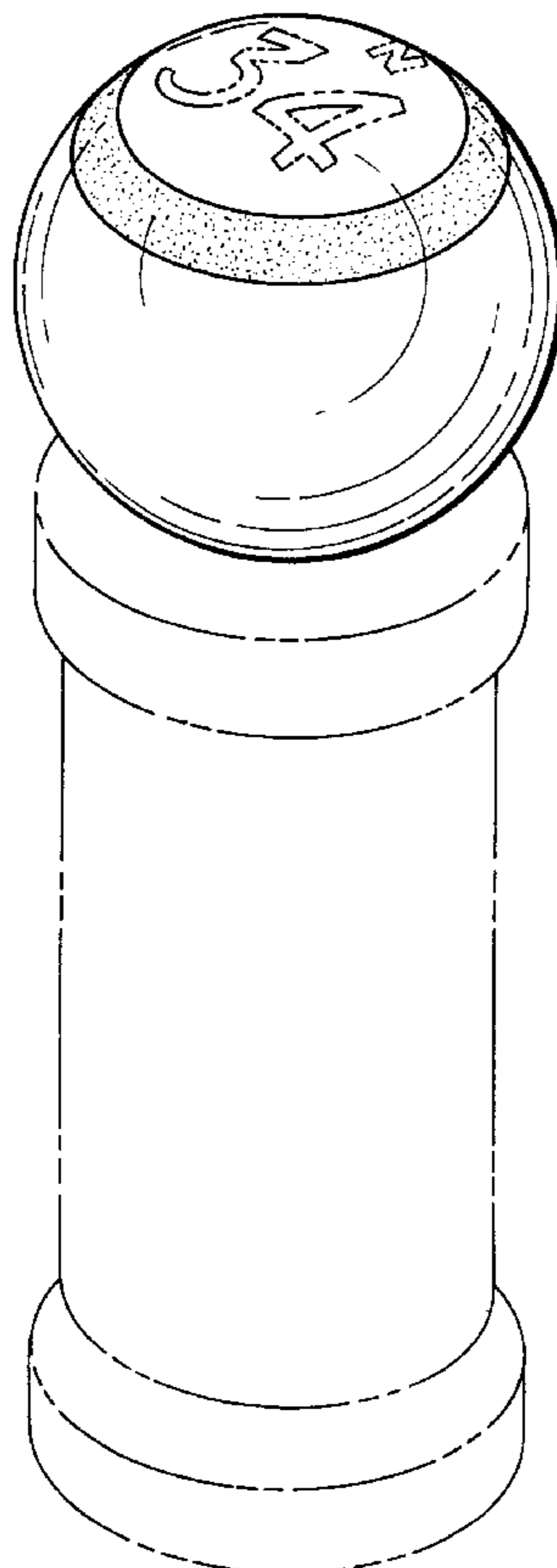


FIG-1

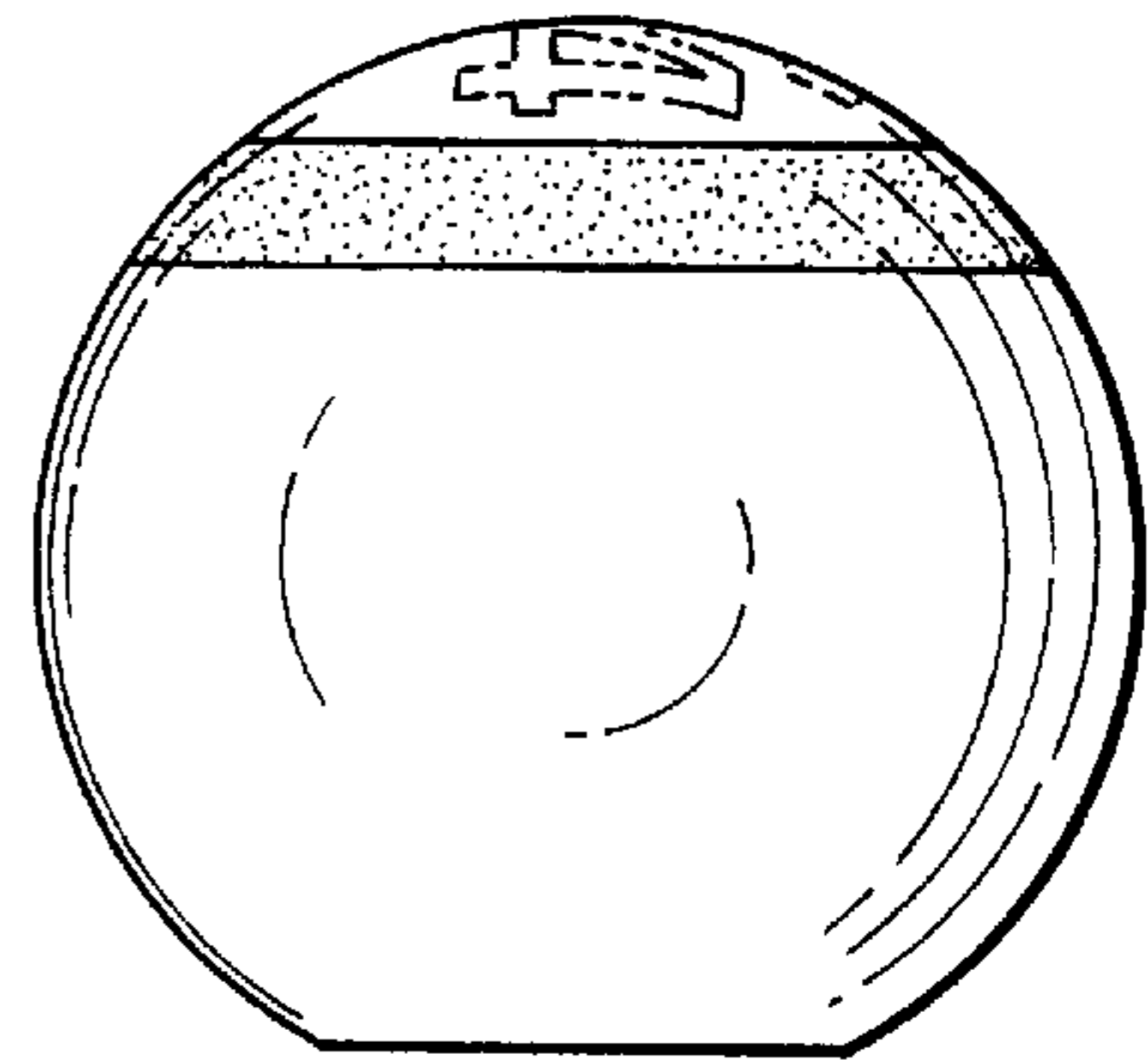
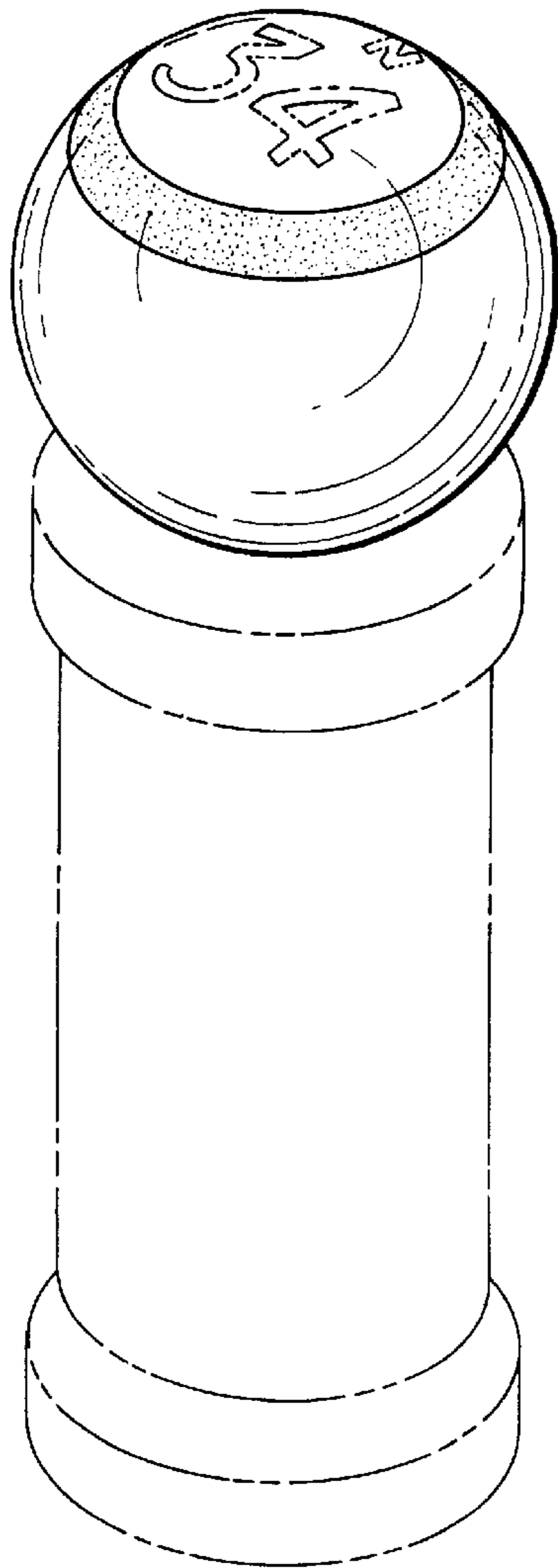


FIG-2

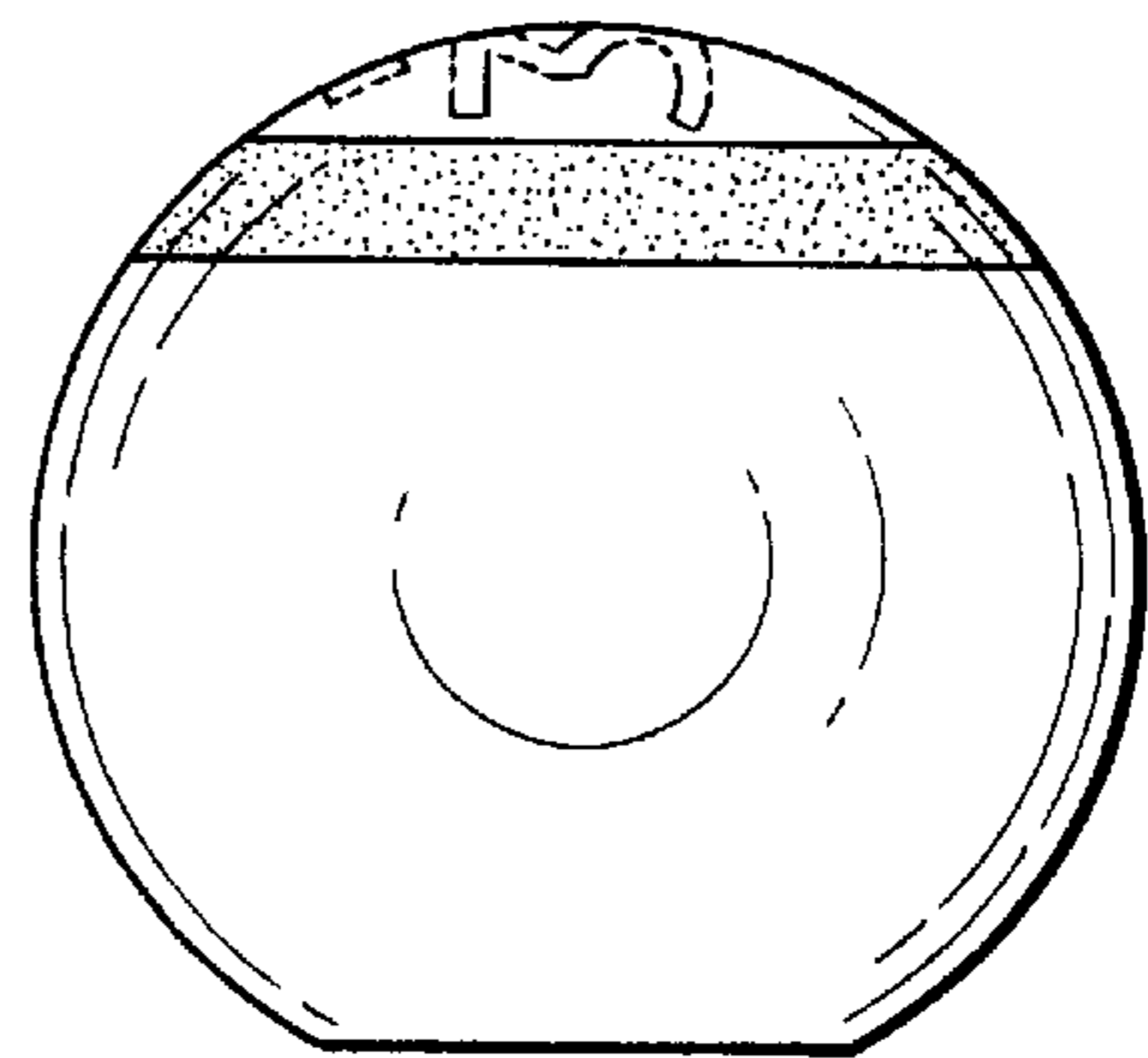


FIG-3



FIG-4

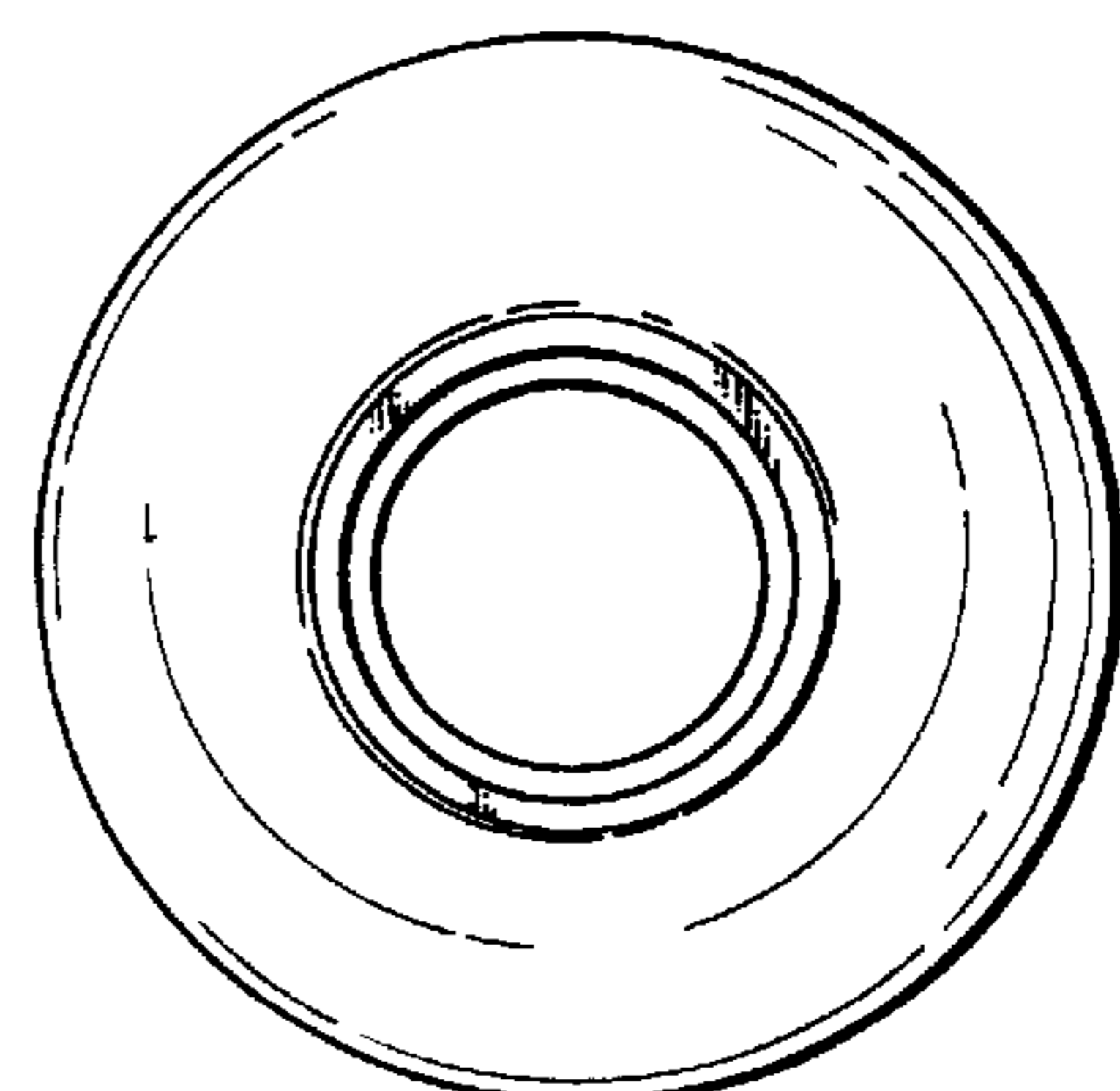


FIG-5