



US00D445827S

(12) **United States Design Patent**  
**Stropkay et al.**

(10) **Patent No.:** **US D445,827 S**

(45) **Date of Patent:** **\*\* Jul. 31, 2001**

(54) **WRITING INSTRUMENT**

5,716,152 \* 2/1998 Kudo ..... 401/199

(75) Inventors: **Scott Stropkay**, Carlisle, MA (US);  
**Frank Polidoro**, Cumberland, RI (US);  
**Gerd Schmieta**, Boston, MA (US); **Jan Schminke**, Boston, MA (US); **Dirk Ahlgrim**, Boston, MA (US)

\* cited by examiner

*Primary Examiner*—Martie K. Holtje  
(74) *Attorney, Agent, or Firm*—Marshall, O’Toole, Gerstein, Murray & Borun

(73) Assignee: **The Gillette Company**, Boston, MA (US)

(57) **CLAIM**

The ornamental design for a writing instrument, as shown and described.

(\*\*) Term: **14 Years**

**DESCRIPTION**

(21) Appl. No.: **29/132,868**

(22) Filed: **Nov. 16, 2000**

(51) **LOC (7) Cl.** ..... **19-06**

(52) **U.S. Cl.** ..... **D19/43; D19/51; D19/56; D19/57**

(58) **Field of Search** ..... D19/35, 36, 41–51, D19/53–58, 81–85; 401/209, 199, 202, 262, 243, 244, 245, 246, 247

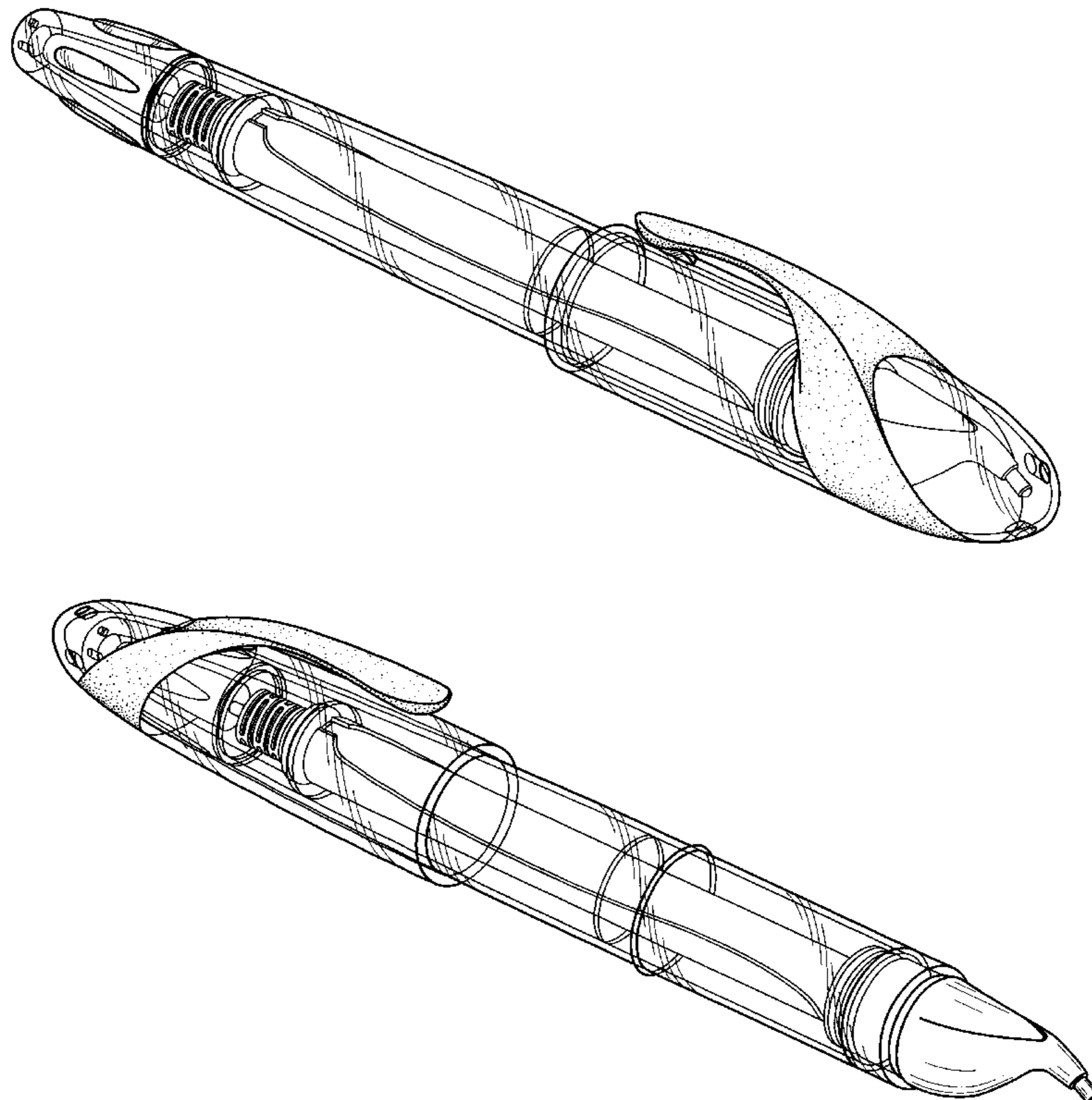
FIG. 1 is perspective view as seen from the top, front and left side of a writing instrument showing our new design; FIG. 2 is a front elevational view thereof; FIG. 3 is a left side elevational view thereof where the right side view is a mirror image; FIG. 4 is a rear elevational view thereof; FIG. 5 is a top elevational view thereof; and FIG. 6 is a bottom elevational view thereof. FIG. 7 is a perspective view of a writing instrument of FIG. 1 with the writing tip exposed and the cap positioned on the bottom of the pen barrel; FIG. 8 is a front elevational view thereof; FIG. 9 is a left side elevational view thereof where the right side view is a mirror image; FIG. 10 is a rear elevational view thereof; FIG. 11 is a top elevational view thereof; and, FIG. 12 is a bottom elevational view thereof.

(56) **References Cited**

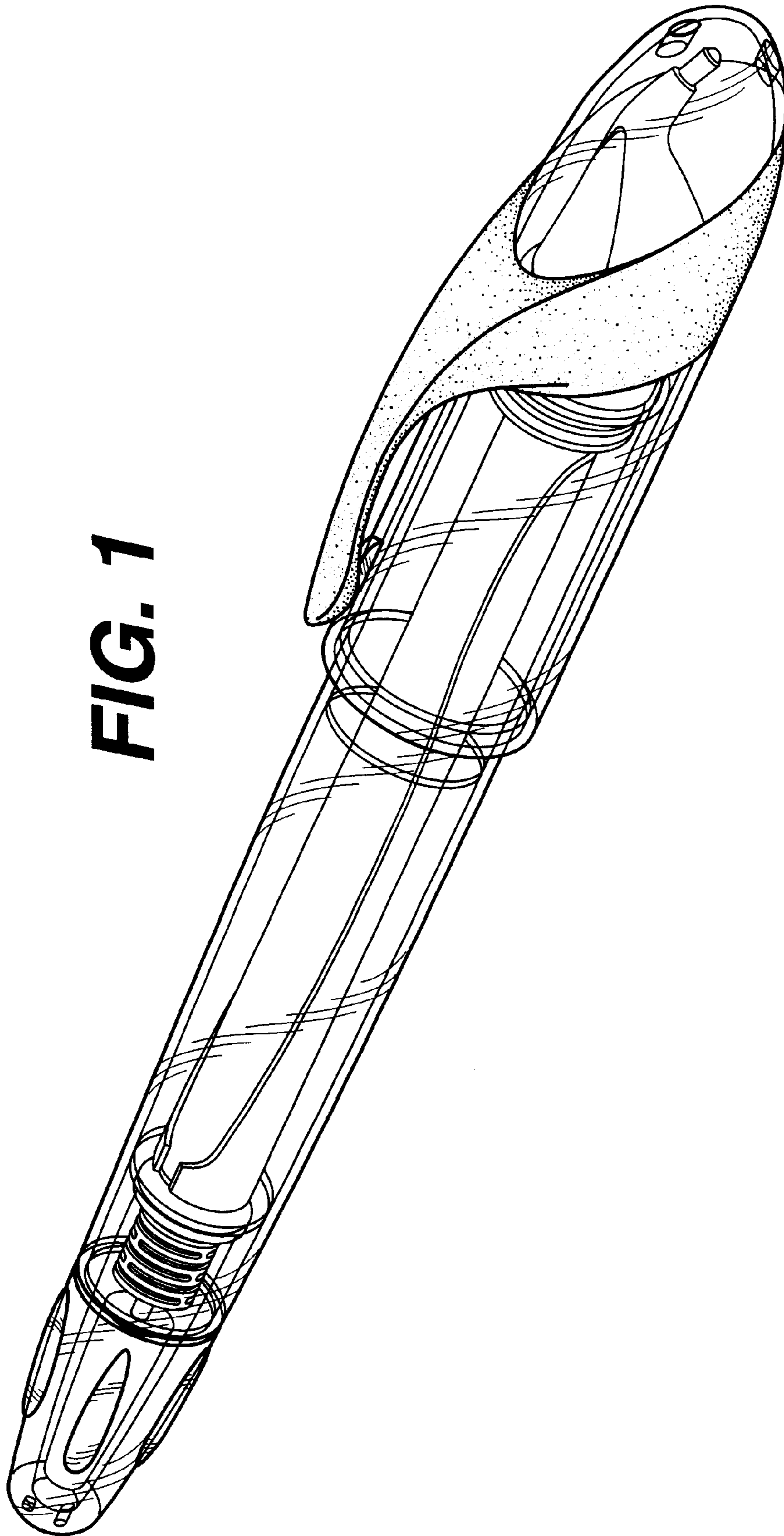
**U.S. PATENT DOCUMENTS**

D. 198,418	*	6/1964	Fehling et al. ....	D19/51
D. 366,498	*	1/1996	Abe et al. ....	D19/51
D. 407,436	*	3/1999	Chevalier et al. ....	D19/43
D. 414,205	*	9/1999	Chevalier et al. ....	D19/57
D. 416,941	*	11/1999	Chevalier et al. ....	D19/51
D. 430,212	*	8/2000	Keda ..... ..	D19/57
D. 438,246	*	2/2001	Hollington et al. ....	D19/51

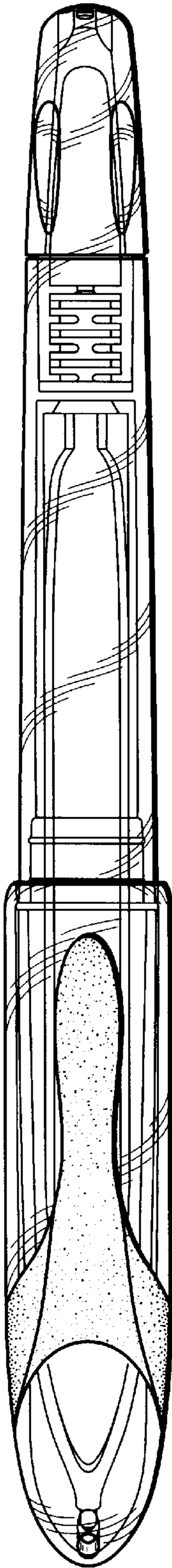
**1 Claim, 6 Drawing Sheets**



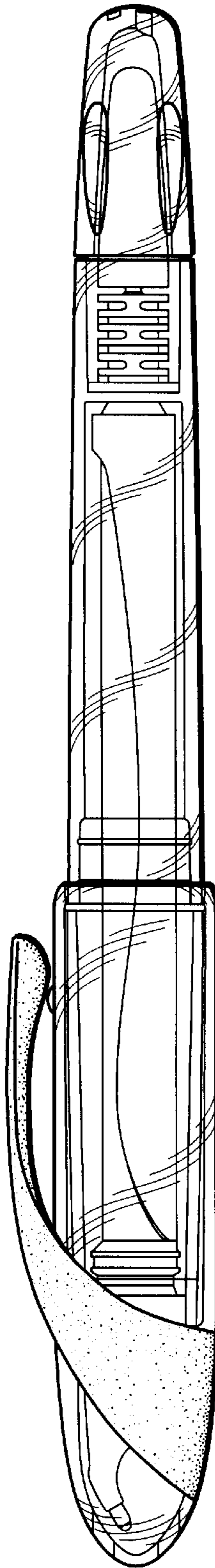
**FIG. 1**



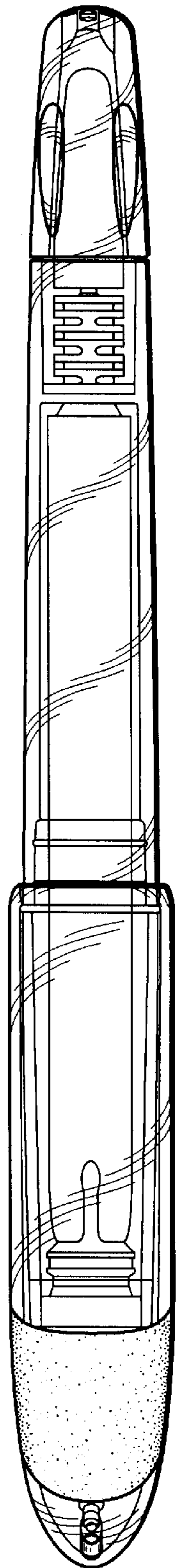
**FIG. 2**



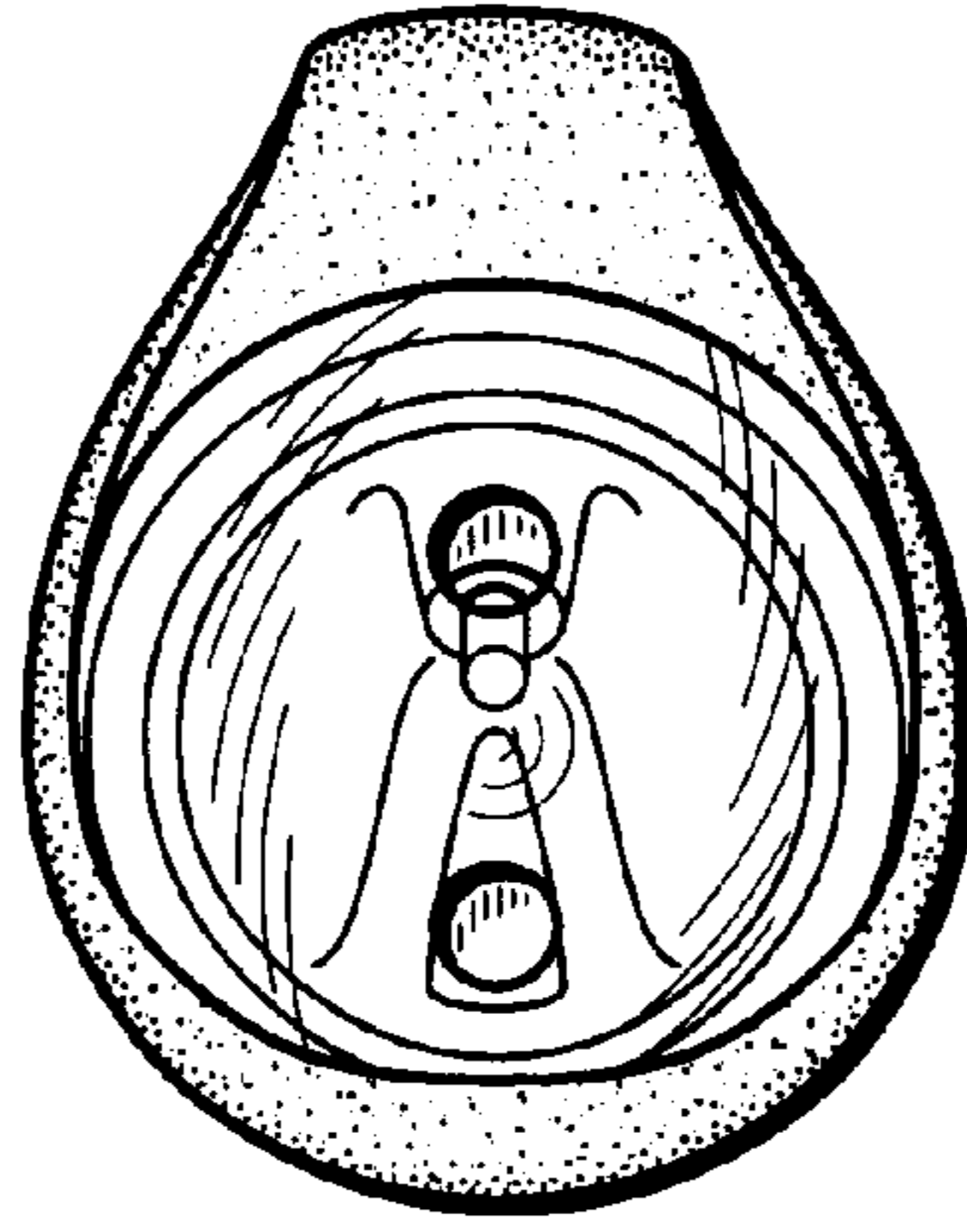
**FIG. 3**



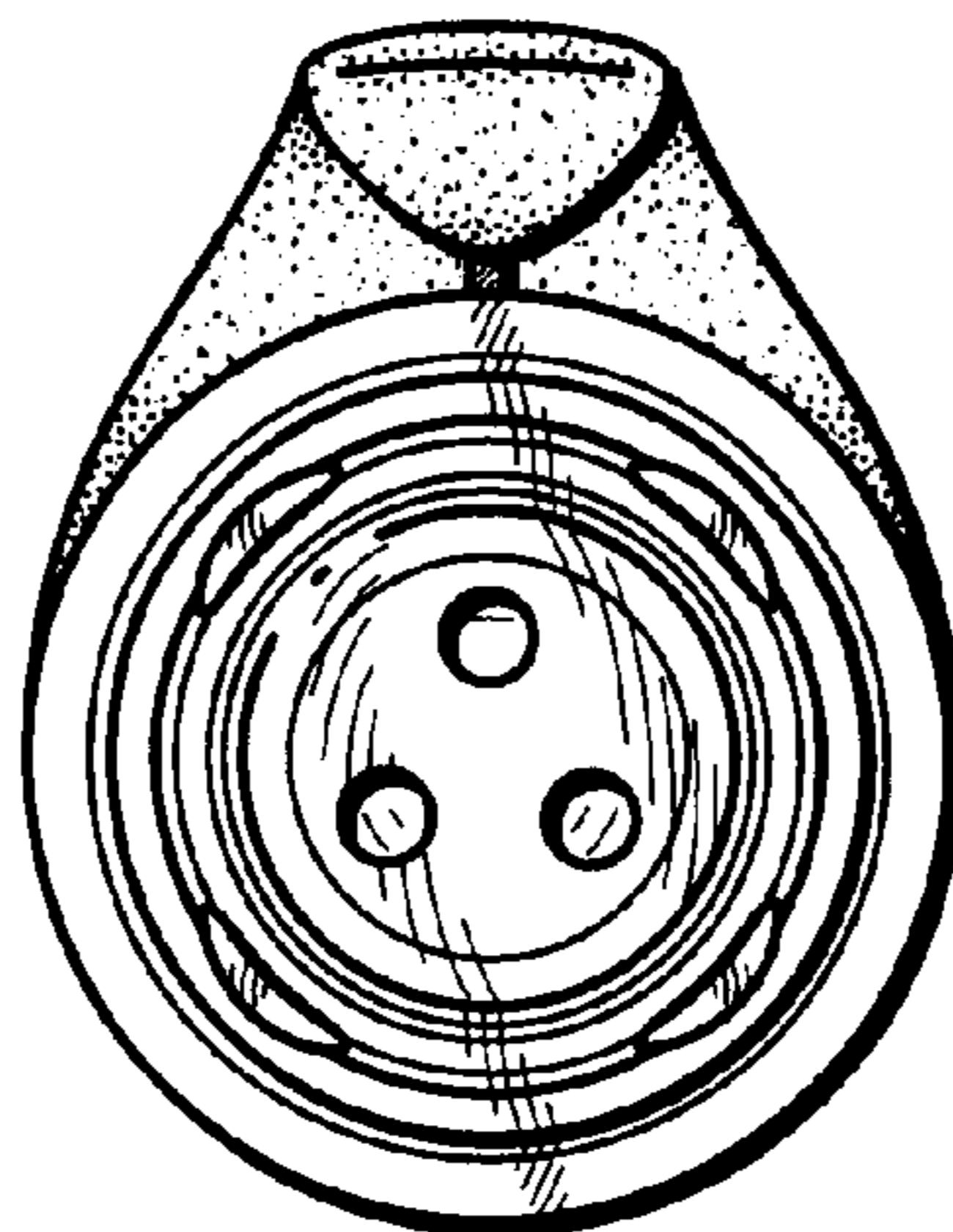
**FIG. 4**



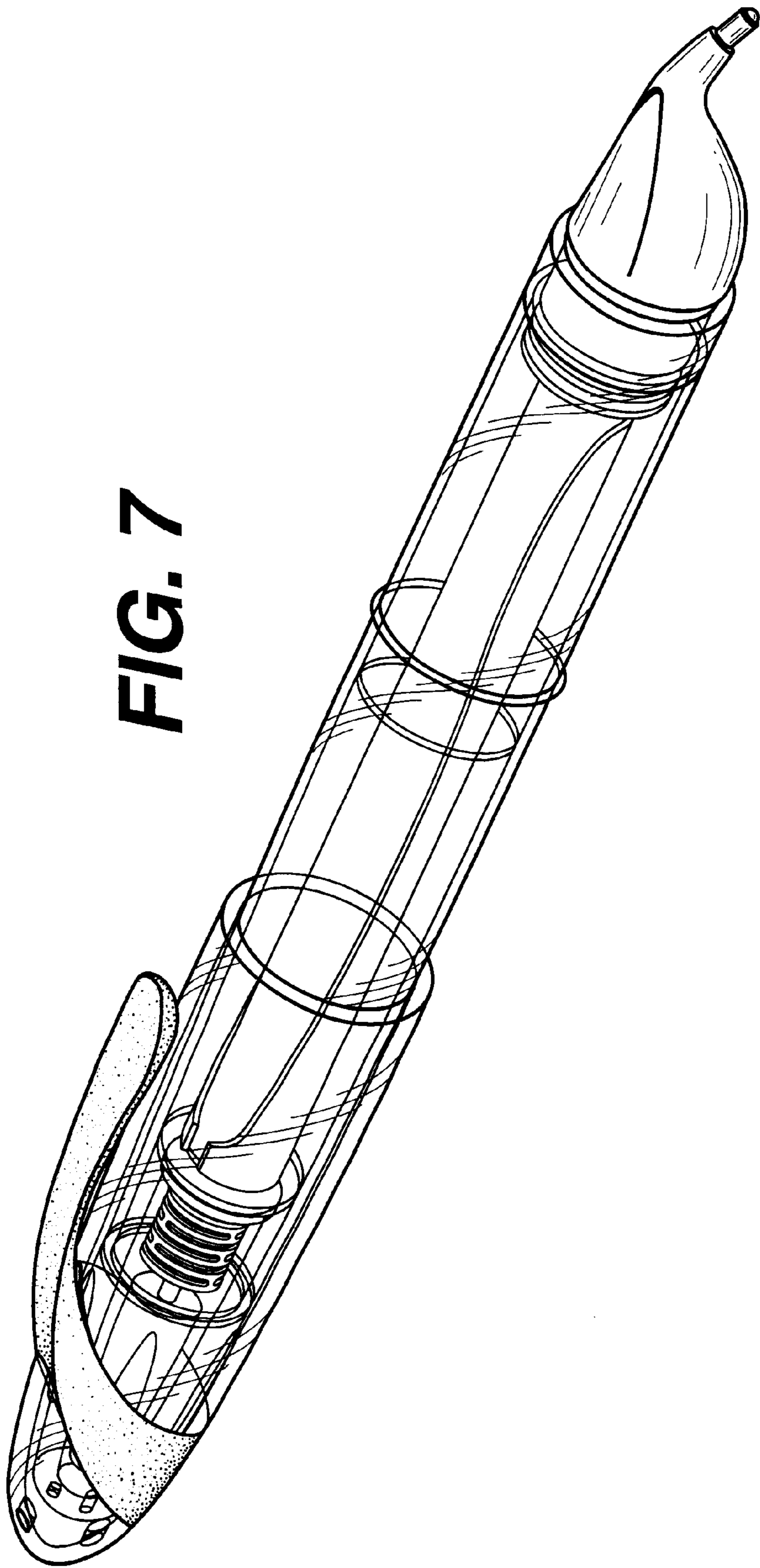
**FIG. 5**



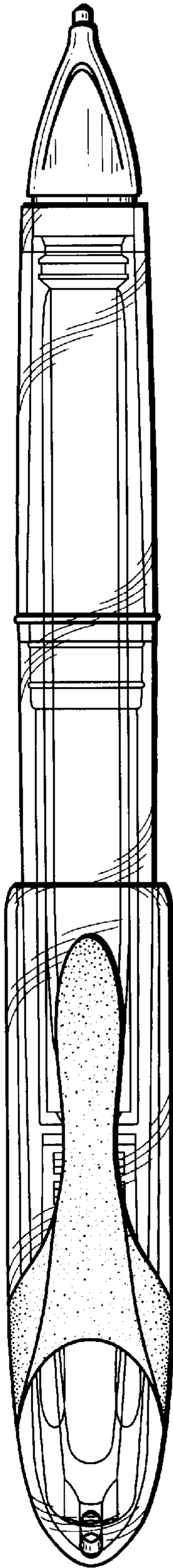
**FIG. 6**



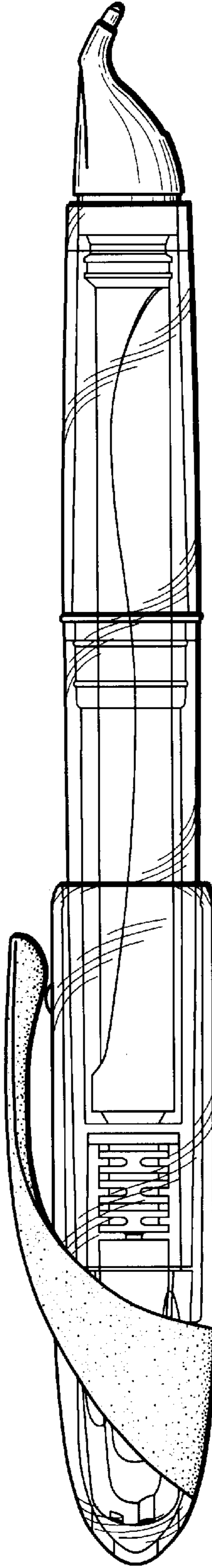
**FIG. 7**



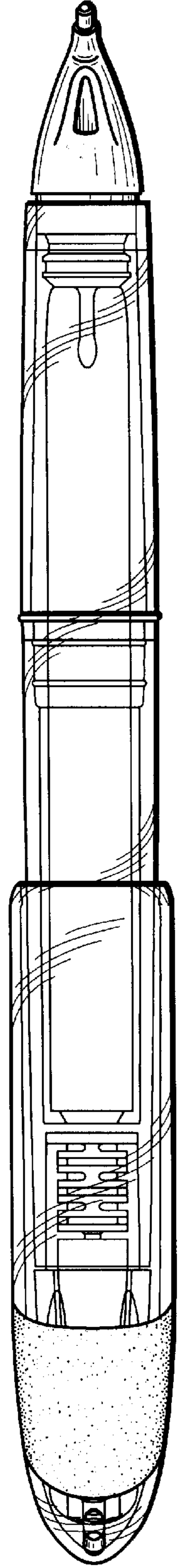
**FIG. 8**



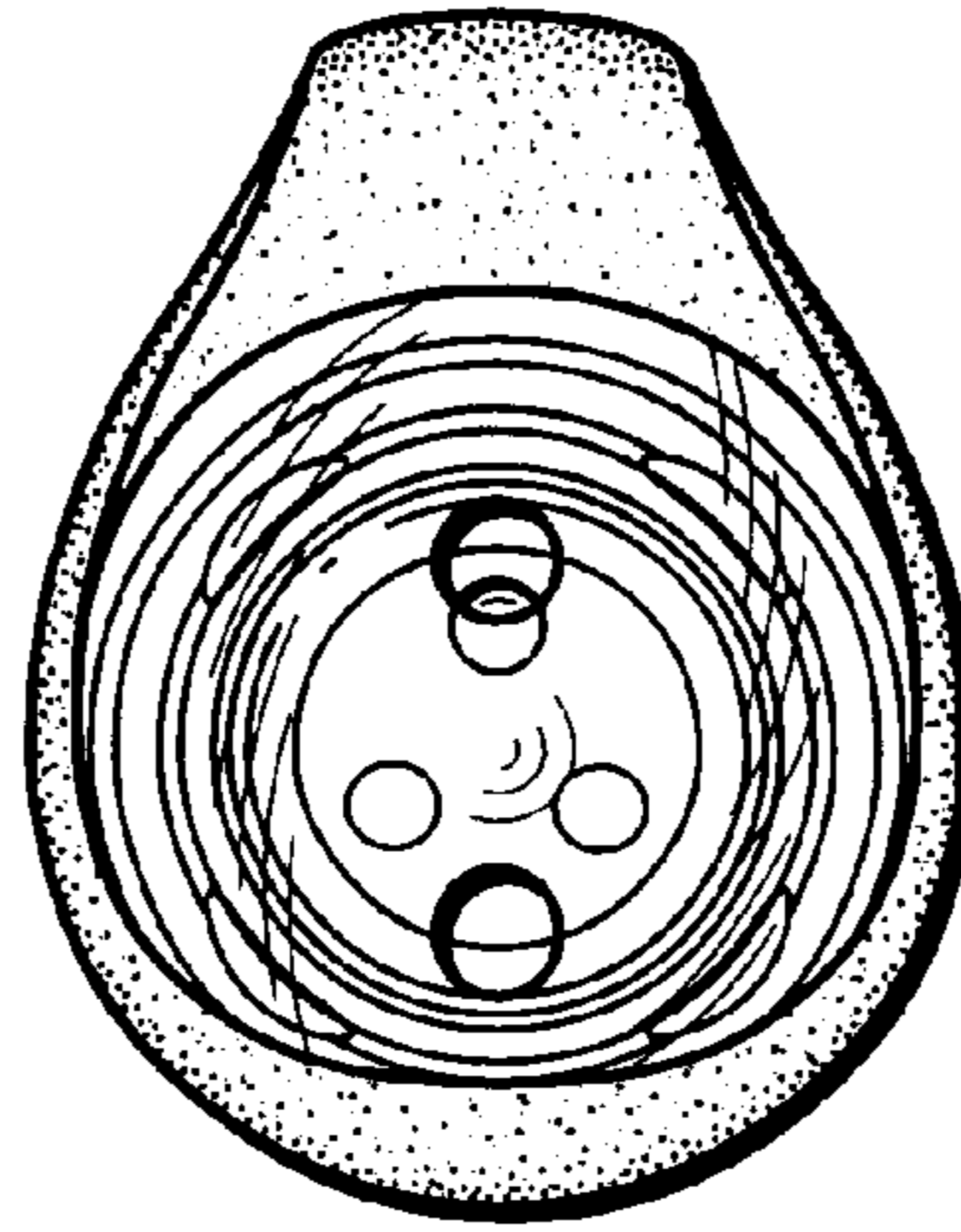
**FIG. 9**



**FIG. 10**



**FIG. 11**



**FIG. 12**

