



US00D445825S

(12) **United States Design Patent**
Chan

(10) **Patent No.:** **US D445,825 S**

(45) **Date of Patent:** **** Jul. 31, 2001**

(54) **HOLDER FOR PHOTO AND/OR CALENDAR**

(75) Inventor: **Sik-Leung Chan, Tsuen Wan (CN)**

(73) Assignee: **C. C. & L Company Limited, Tsuen Wan (CN)**

(**) Term: **14 Years**

(21) Appl. No.: **29/129,004**

(22) Filed: **Sep. 1, 2000**

(51) **LOC (7) Cl.** **19-04**

(52) **U.S. Cl.** **D19/20; D19/26; D16/250; D6/627**

(58) **Field of Search** **D3/273, 272, 218; D6/629, 630, 627, 301; 206/308.1, 309; D14/156; D16/250; D19/20, 26**

(56) **References Cited**

U.S. PATENT DOCUMENTS

- D. 336,925 * 6/1993 Foley D19/75
- D. 371,387 * 7/1996 Woock D19/20
- D. 383,936 * 9/1997 McCracken D6/627

- D. 394,874 * 6/1998 Aguilar D19/26
- 5,617,950 * 4/1997 Chung 206/308.1
- 5,715,939 * 2/1998 Yun-Ming 206/308.1
- 5,779,037 * 7/1998 D'Agaro et al. 206/308.1
- 5,931,295 * 8/1999 Kaupp 206/308.1

* cited by examiner

Primary Examiner—Philip S. Hyder

(74) *Attorney, Agent, or Firm*—Alix, Yale & Ristas, LLP

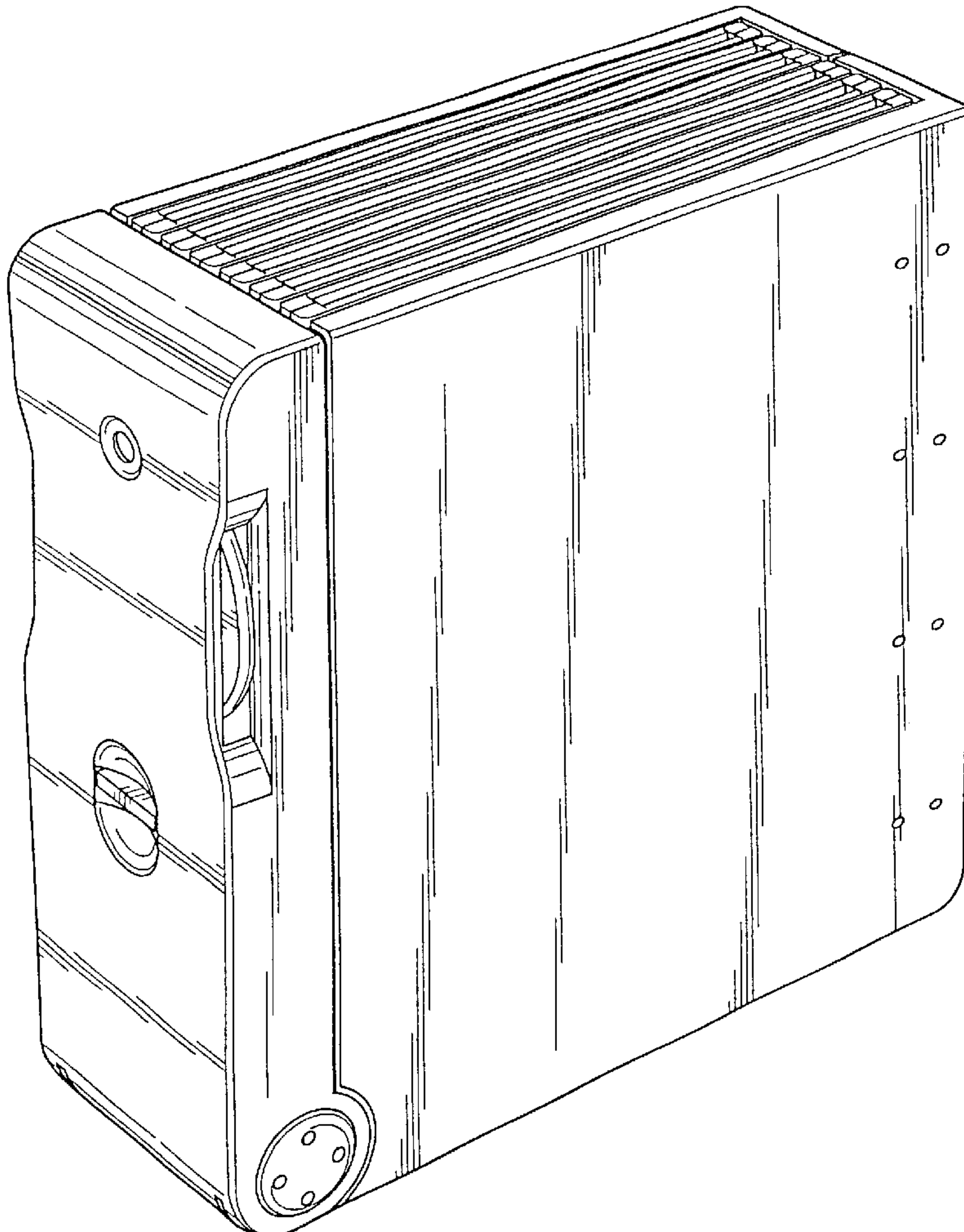
(57) **CLAIM**

The ornamental design for a holder for photo and/or calendar, as shown and described.

DESCRIPTION

FIG. 1 is a perspective view of a holder for photo and/or calendar showing my new design;
 FIG. 2 is a front elevational view thereof;
 FIG. 3 is a top plan view thereof;
 FIG. 4 is a left side elevational view thereof;
 FIG. 5 is a right side elevational view thereof;
 FIG. 6 is a rear elevational view thereof; and,
 FIG. 7 is a bottom plan view thereof.

1 Claim, 4 Drawing Sheets



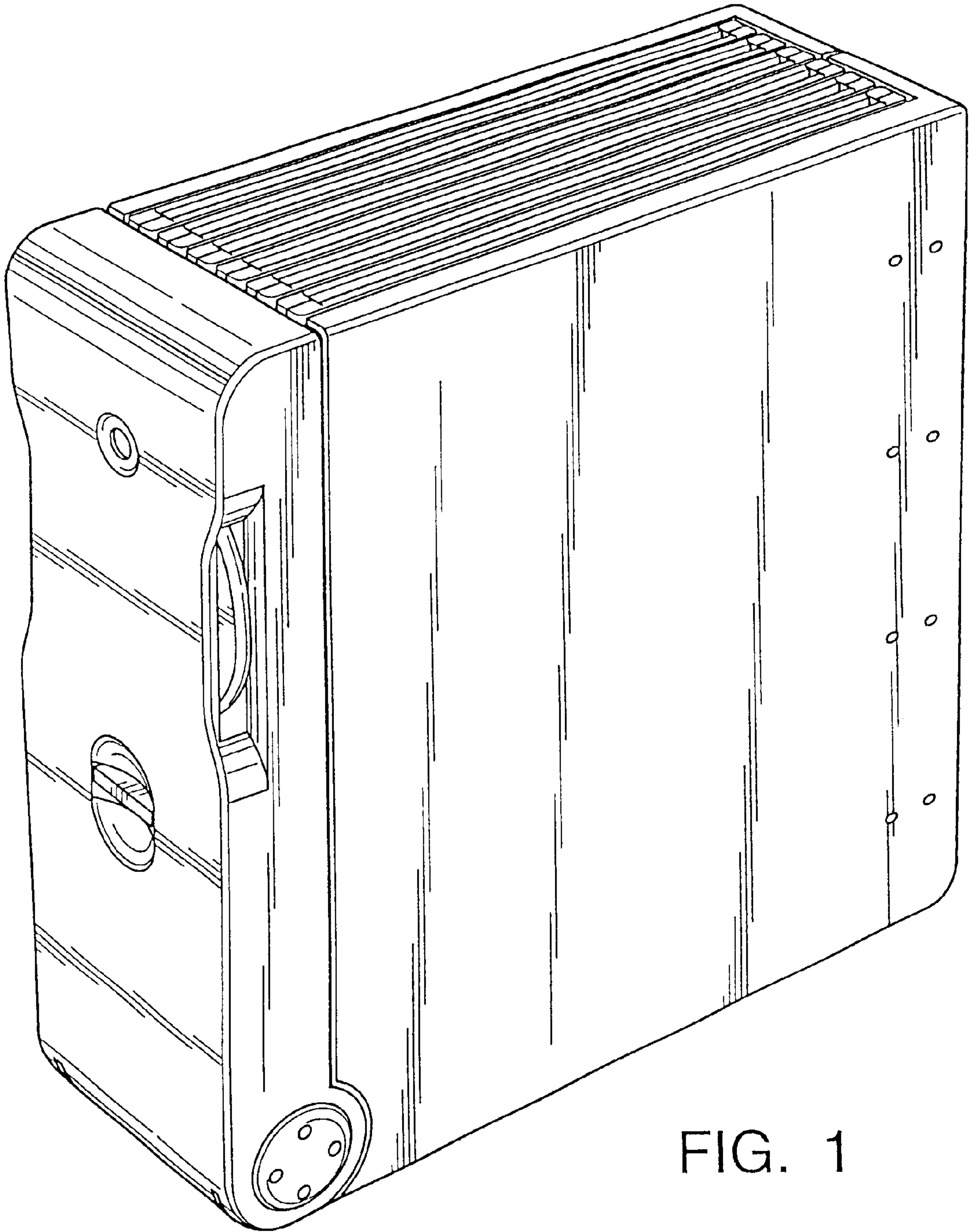


FIG. 1

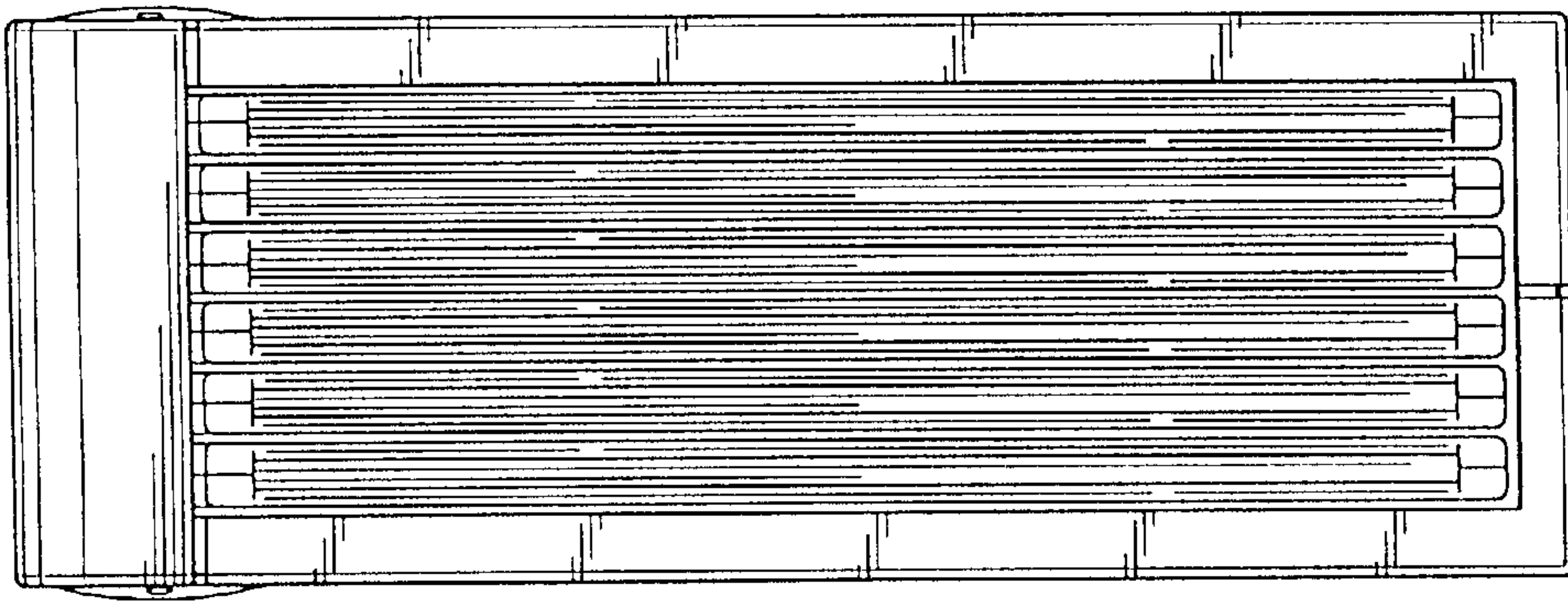


FIG. 3

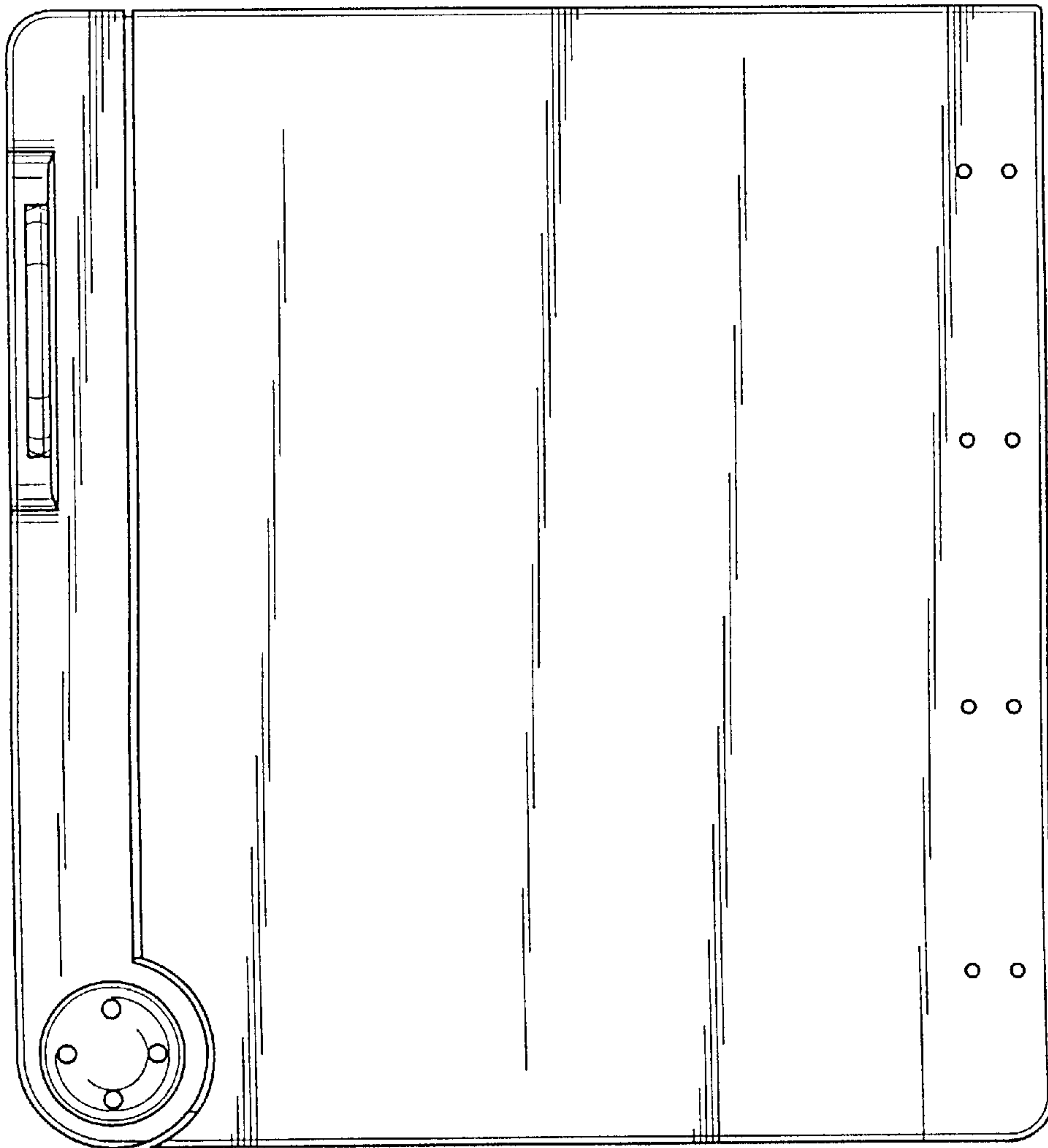


FIG. 2

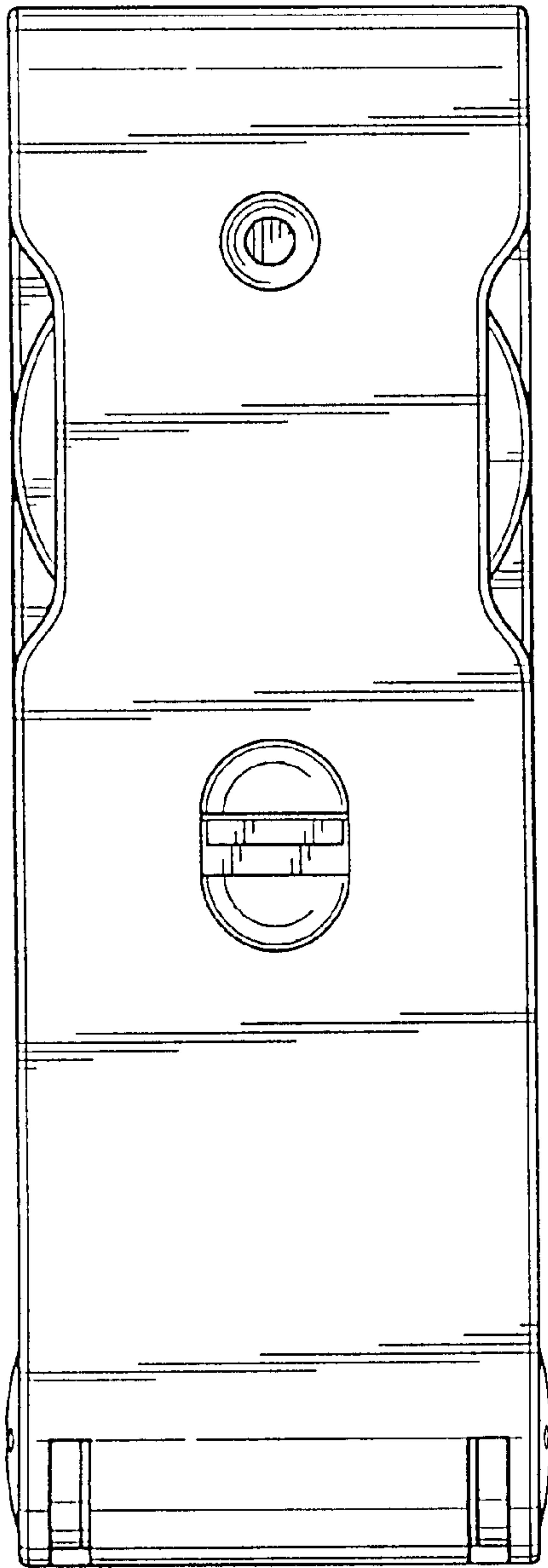


FIG. 4

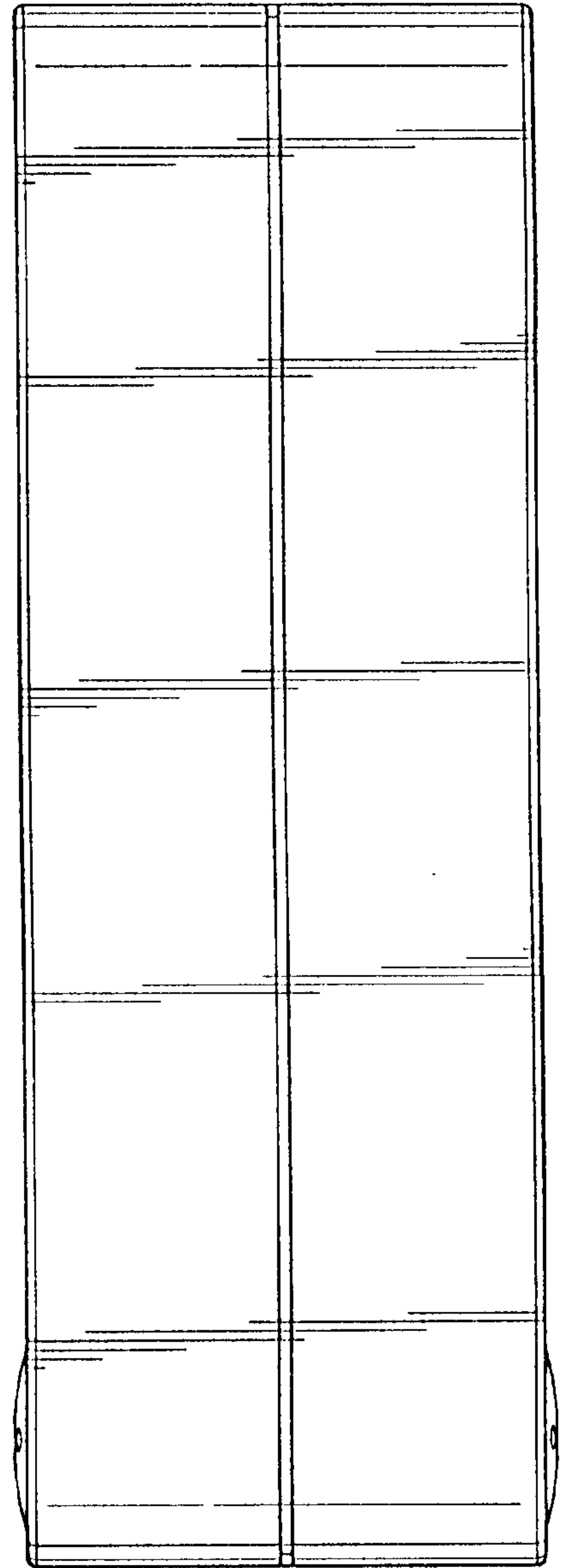


FIG. 5

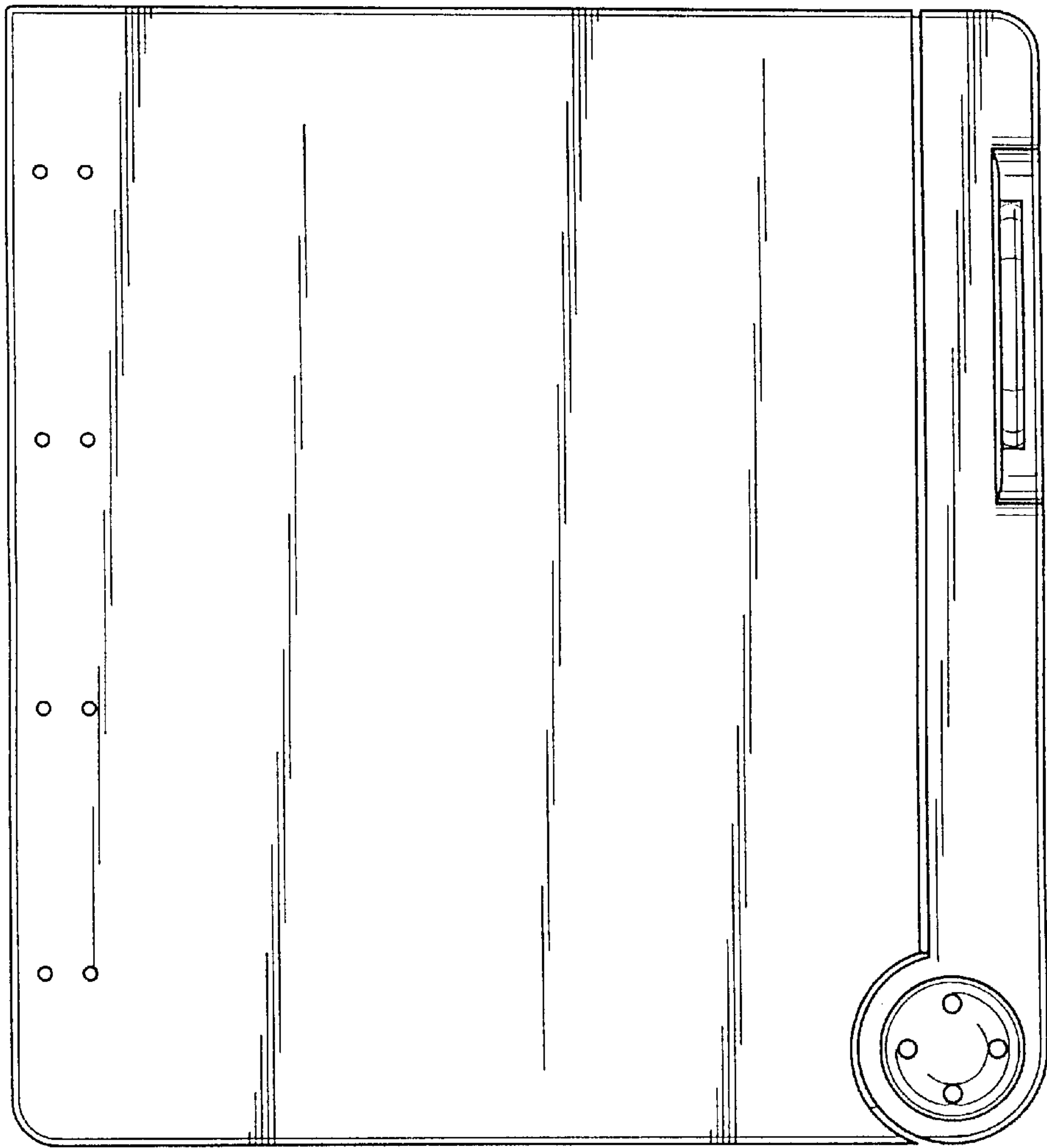


FIG. 6

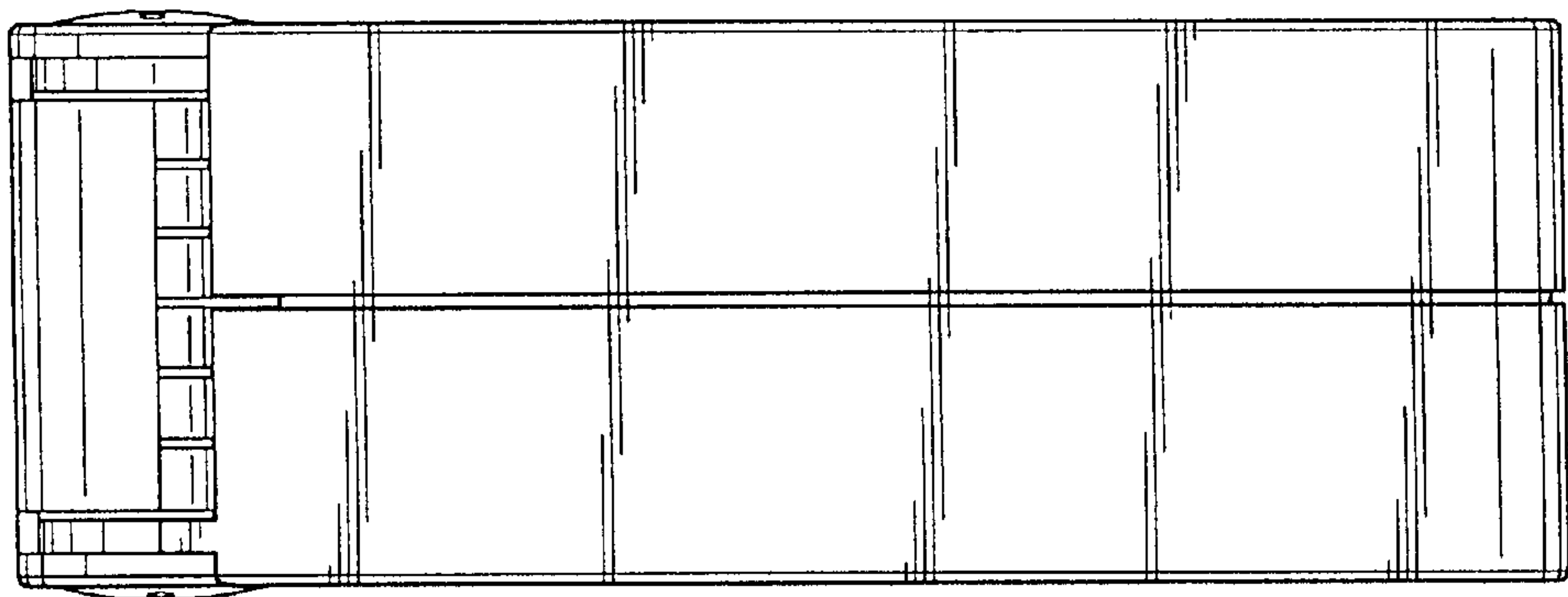


FIG. 7