



US00D445824S

(12) **United States Design Patent**
Yamano et al.

(10) **Patent No.:** **US D445,824 S**

(45) **Date of Patent:** **** Jul. 31, 2001**

(54) **PRINTER FOR A COMPUTER**

(75) Inventors: **Hirokazu Yamano; Hiroaki Sakai,**
both of Nagano-ken (JP)

(73) Assignee: **Seiko Epson Corporation, Tokyo (JP)**

(**) Term: **14 Years**

(21) Appl. No.: **29/101,116**

(22) Filed: **Feb. 23, 1999**

(30) **Foreign Application Priority Data**

Aug. 31, 1998 (JP) 10-24899

(51) **LOC (7) Cl.** **18-02**

(52) **U.S. Cl.** **D18/53**

(58) **Field of Search** D18/53, 50, 54,
D18/55, 56, 39; D10/63; 346/136, 145;
393/103

(56) **References Cited**

U.S. PATENT DOCUMENTS

D. 400,917 * 11/1998 Kajikawa et al. D18/53

D. 407,740 * 4/1999 Ina et al. D18/53

D. 408,848 * 4/1999 Flores et al. D18/53

* cited by examiner

Primary Examiner—Melody N. Brown

(74) *Attorney, Agent, or Firm*—Stroock & Stroock & Lavan
LLP

(57) **CLAIM**

The ornamental design for a printer for a computer, as
shown.

DESCRIPTION

FIG. 1 is a perspective view of the top, front and right side
of a printer for a computer in accordance with the present
invention;

FIG. 2 is a top plan view of the printer of FIG. 1;

FIG. 3 is a front elevational view of the printer of FIG. 1;

FIG. 4 is a left side elevational view of the printer of FIG.
1;

FIG. 5 is a right side elevational view of the printer of FIG.
1;

FIG. 6 is a rear elevational view of the printer of FIG. 1; and,

FIG. 7 is a bottom plan view of the printer of FIG. 1.

1 Claim, 3 Drawing Sheets

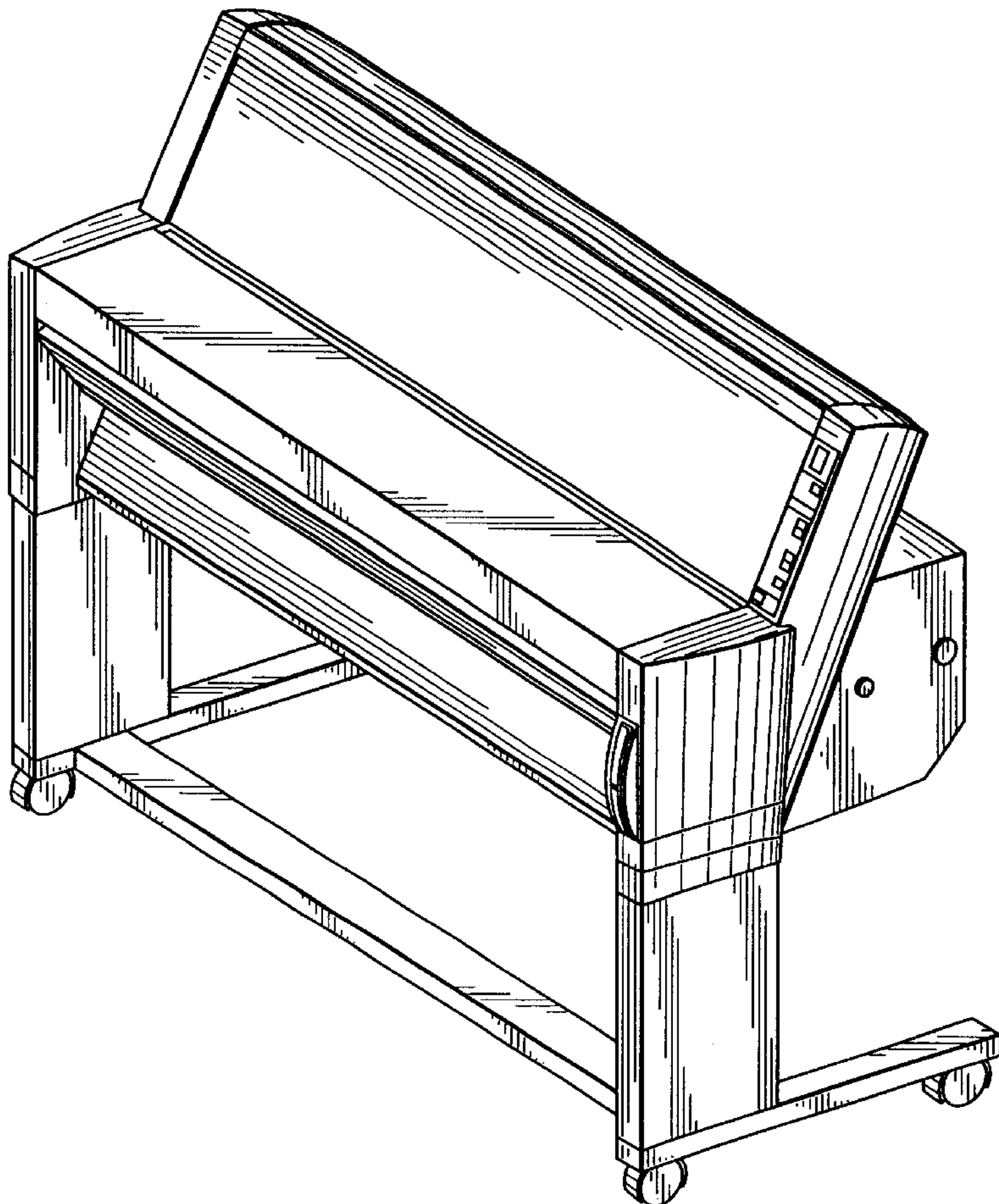


FIG. 1

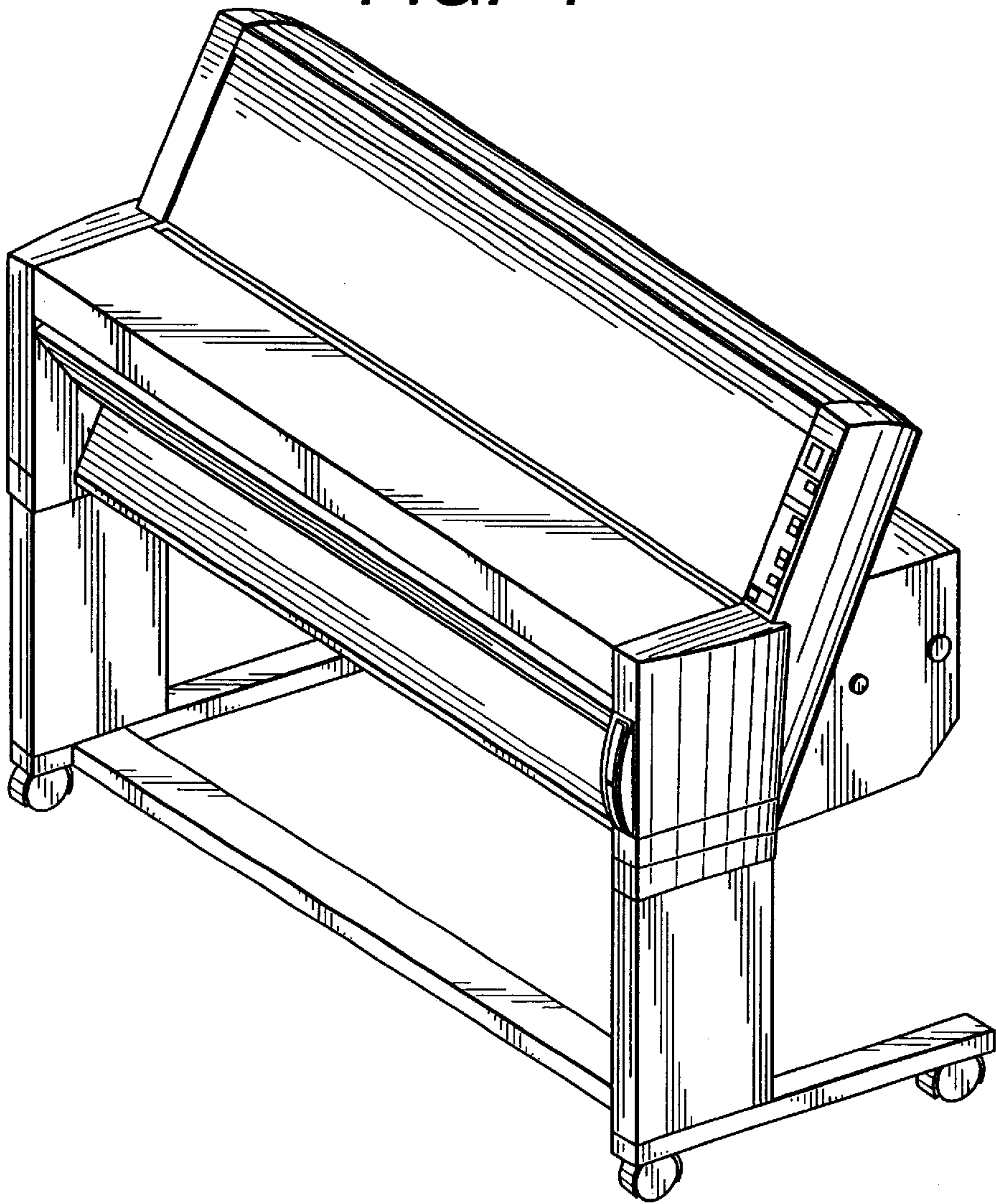


FIG. 2

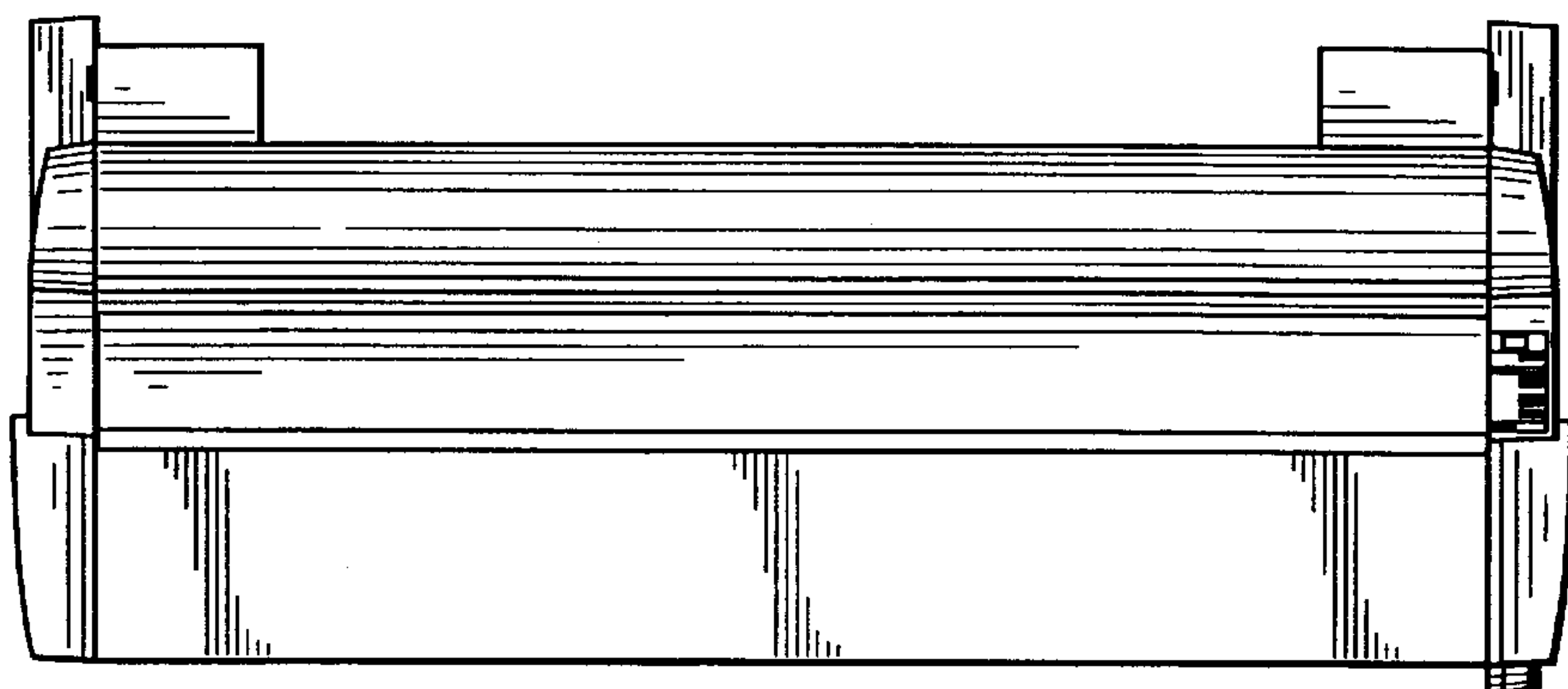


FIG. 3

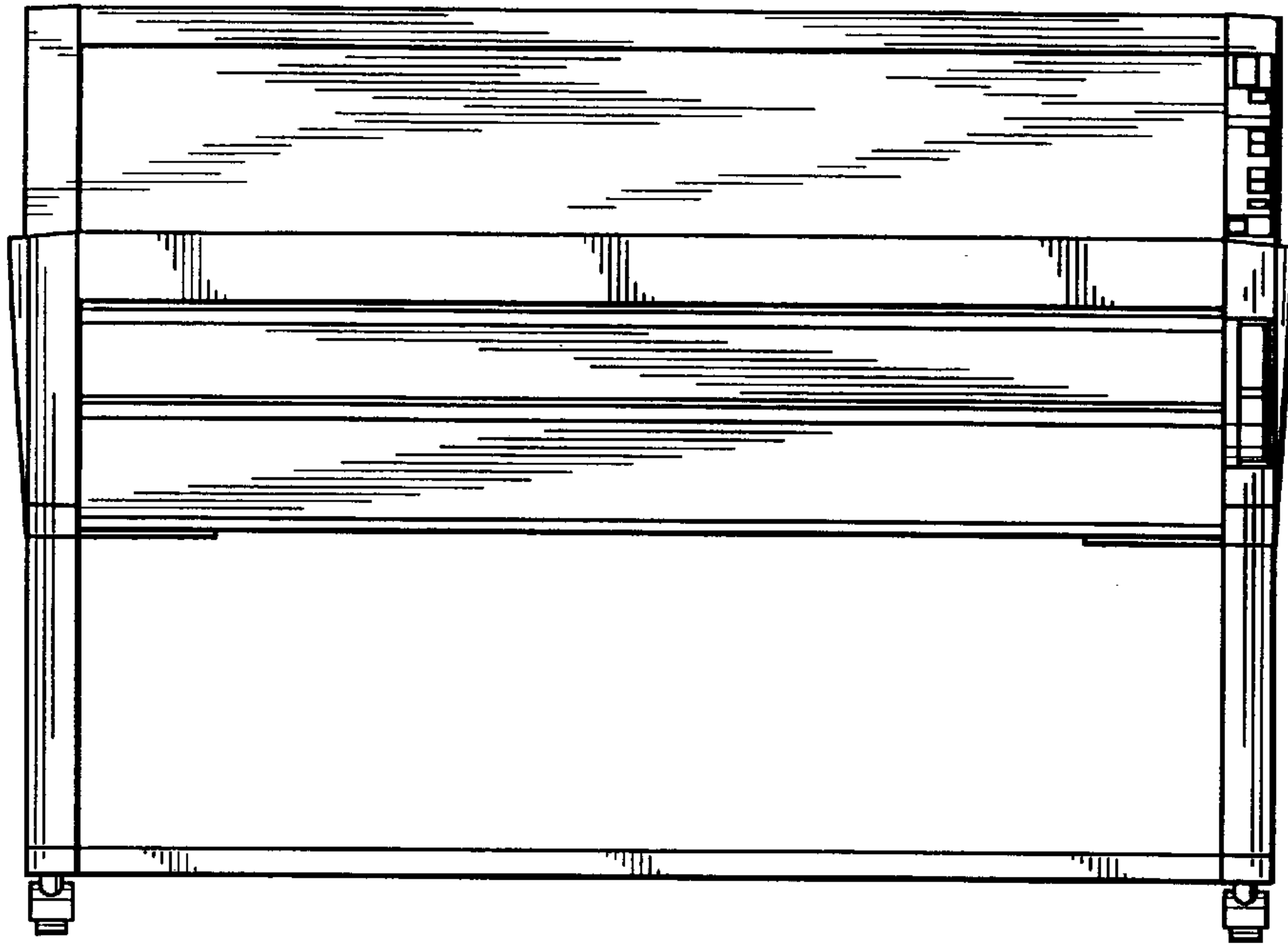


FIG. 4

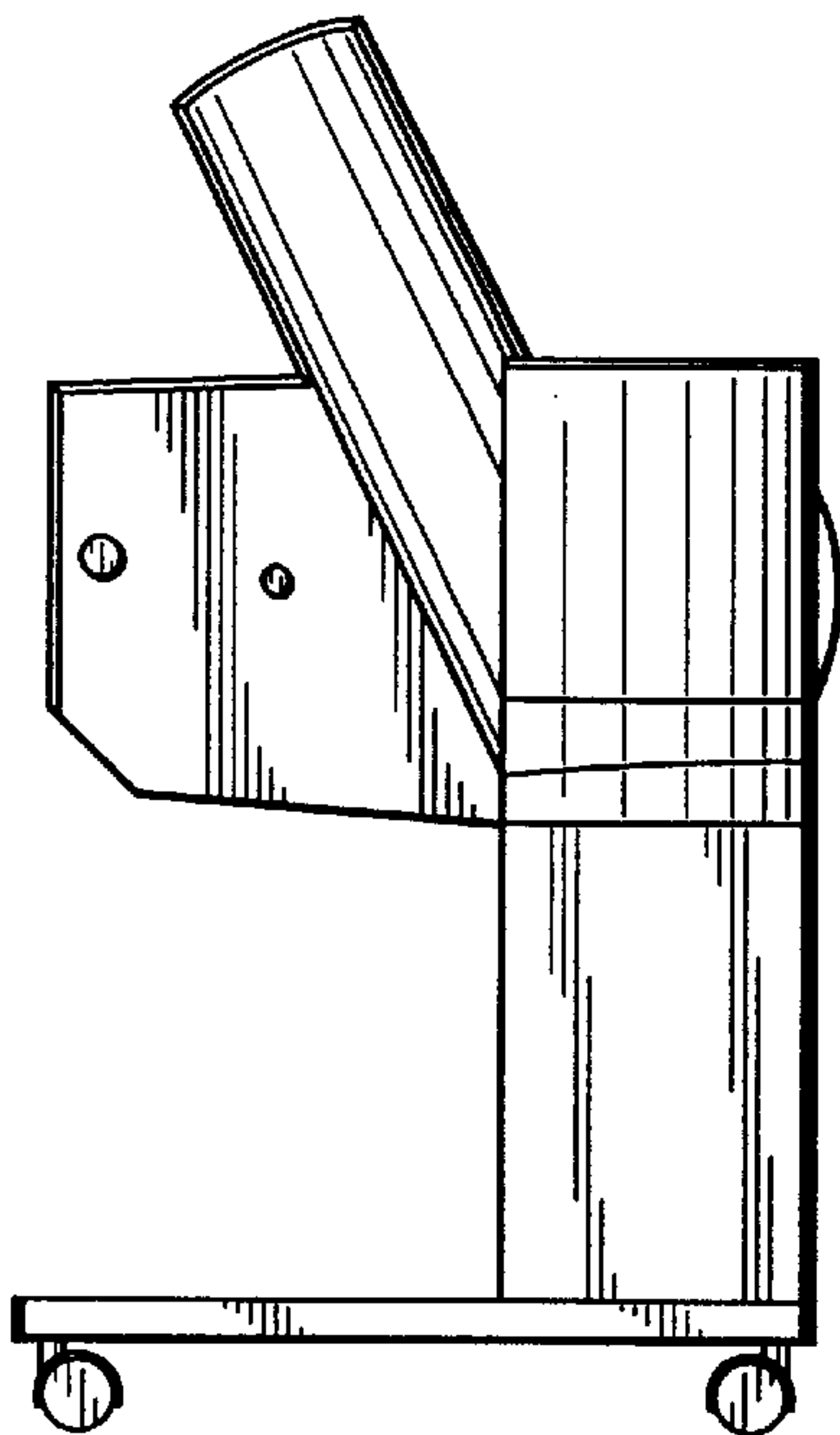


FIG. 5

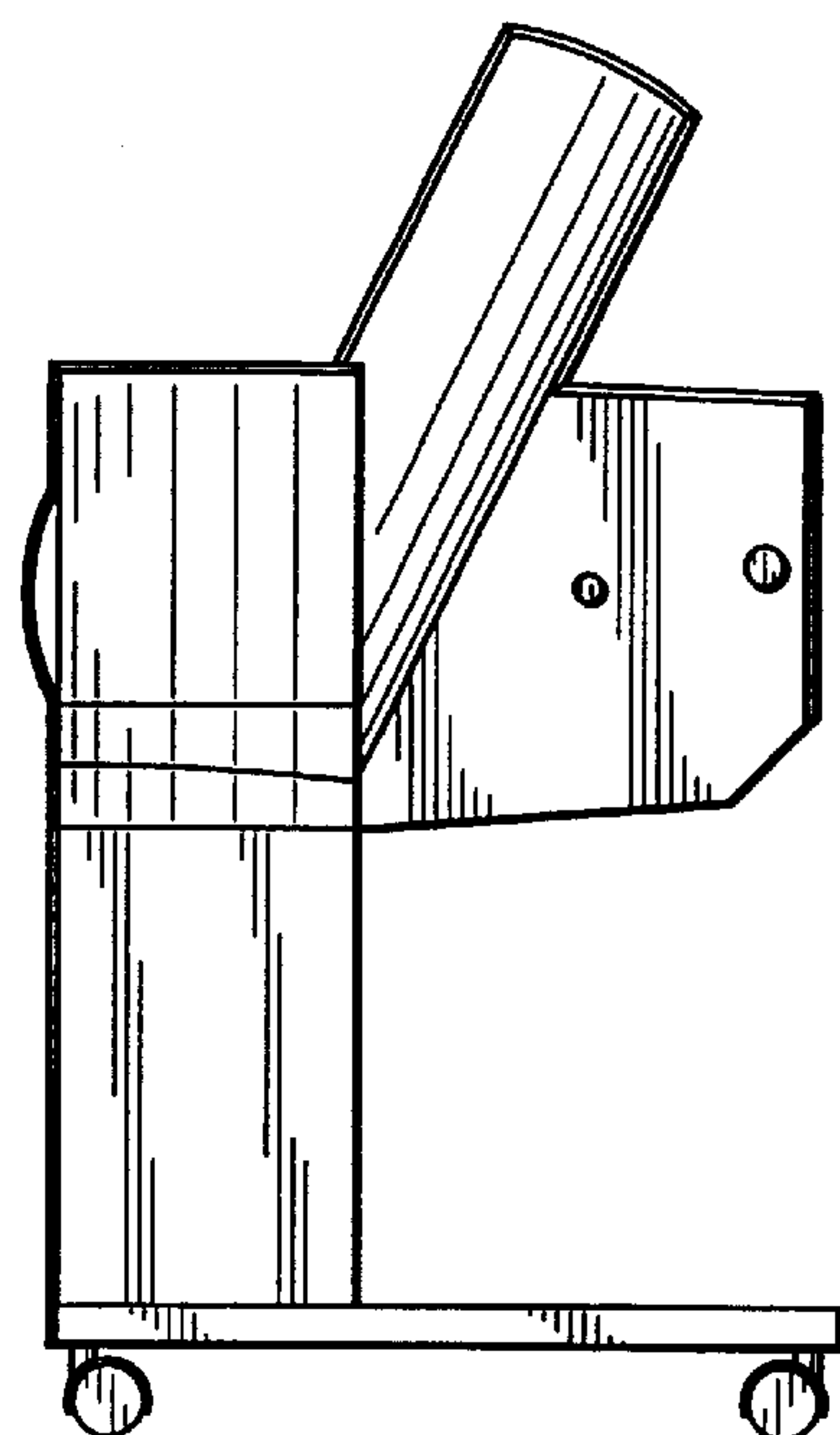


FIG. 6

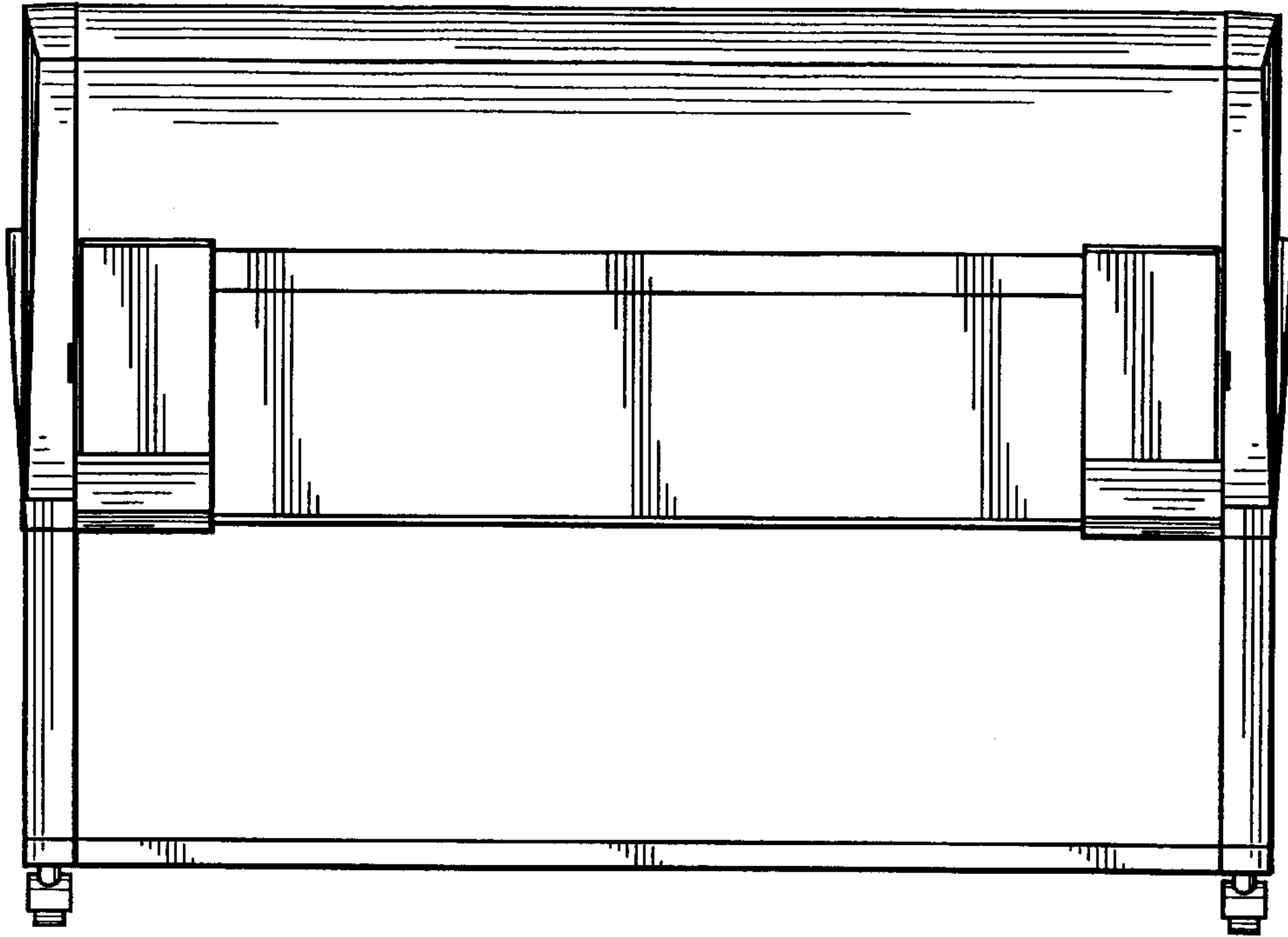


FIG. 7

