



US00D445819S

(12) **United States Design Patent**  
**Backs et al.**

(10) **Patent No.:** **US D445,819 S**

(45) **Date of Patent:** **\*\* Jul. 31, 2001**

(54) **VIDEO CAMERA SUPPORT**

(75) Inventors: **Jochen Backs; Leif Petersson**, both of San Francisco; **Bryed Billerbeck**, Mountain View; **Vance A. Prather**, Fremont, all of CA (US); **Fang Tarnng**, Taipei (TW)

(73) Assignee: **Logitech Europe S.A.**, Romanel-sur-Morges (CH)

(\*\*) Term: **14 Years**

(21) Appl. No.: **29/122,416**

(22) Filed: **Apr. 26, 2000**

(51) **LOC (7) Cl.** ..... **16-05**

(52) **U.S. Cl.** ..... **D16/243; D16/242**

(58) **Field of Search** ..... **D16/242, 243, D16/245, 219; 224/908; 248/176.1, 186.1, 278.1; 396/419, 428**

(56) **References Cited**

**U.S. PATENT DOCUMENTS**

D. 134,016 \* 10/1942 Mais ..... D16/243

D. 258,067 \* 1/1981 Bogart, Jr. .... D16/243  
D. 308,389 \* 6/1990 Horn et al. .... D16/242  
5,673,829 \* 10/1997 Hartshorn ..... 224/908

\* cited by examiner

*Primary Examiner*—Adir Aronovich  
(74) *Attorney, Agent, or Firm*—Townsend and Townsend and Crew LLP

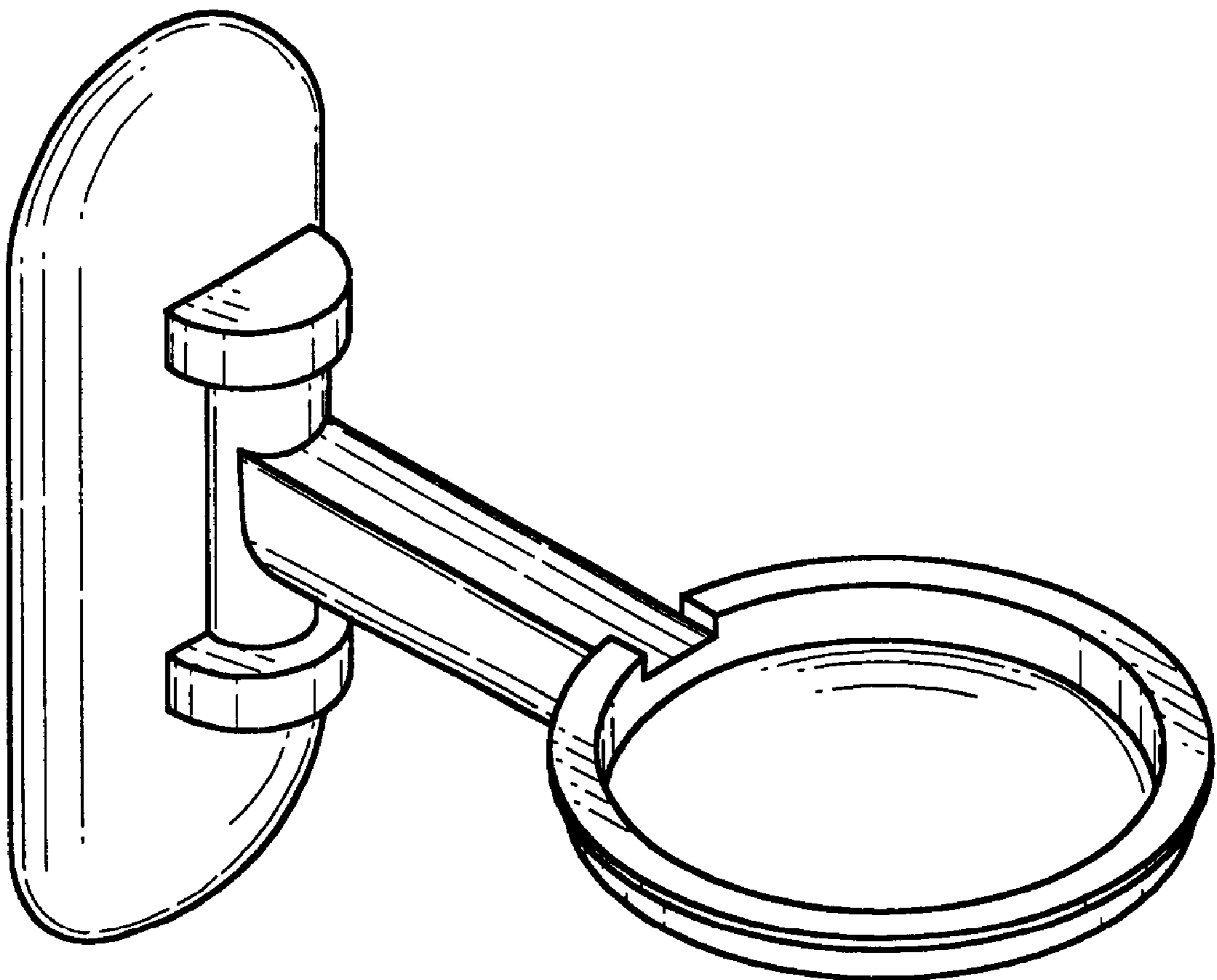
(57) **CLAIM**

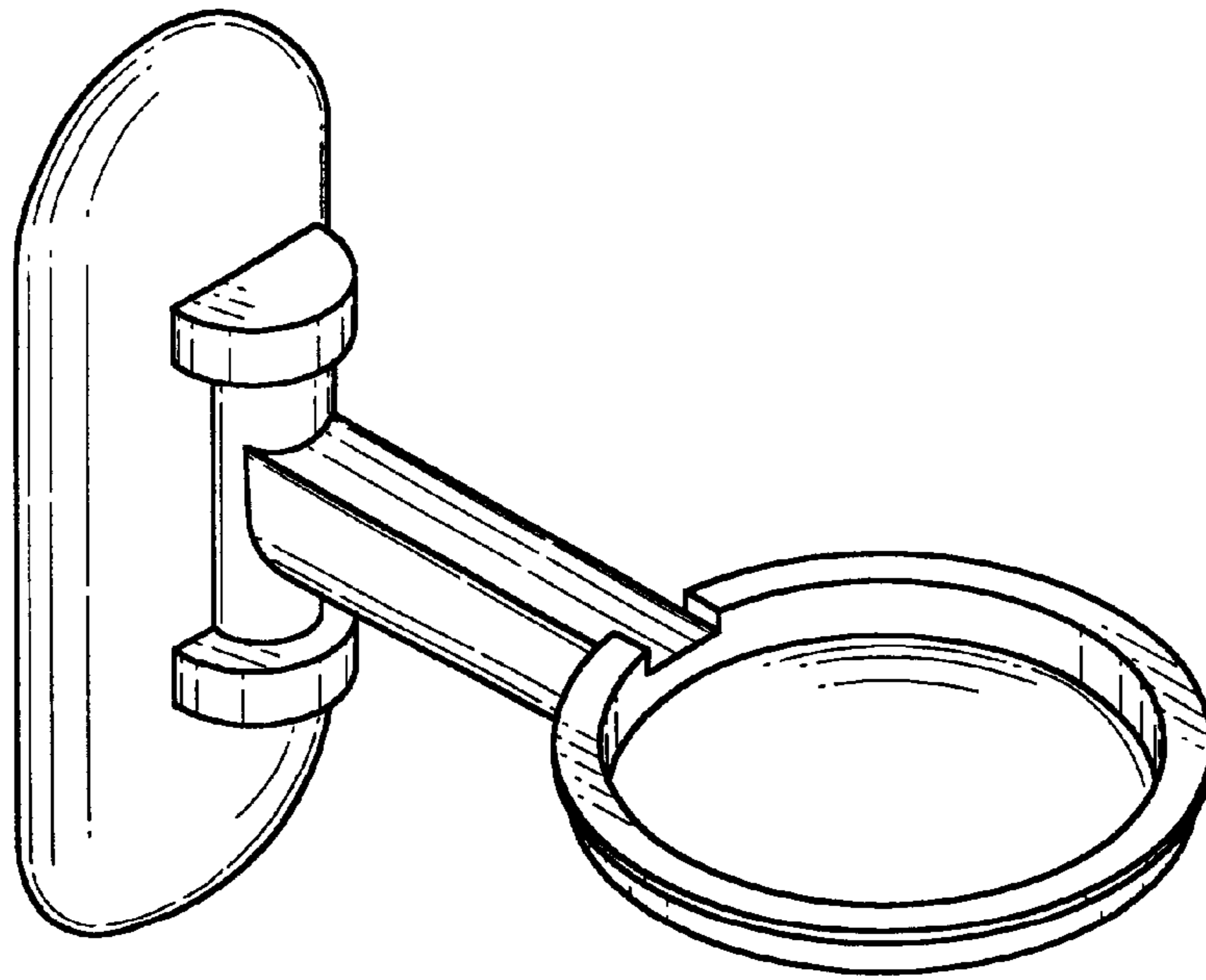
The ornamental design for video camera support, as shown and described.

**DESCRIPTION**

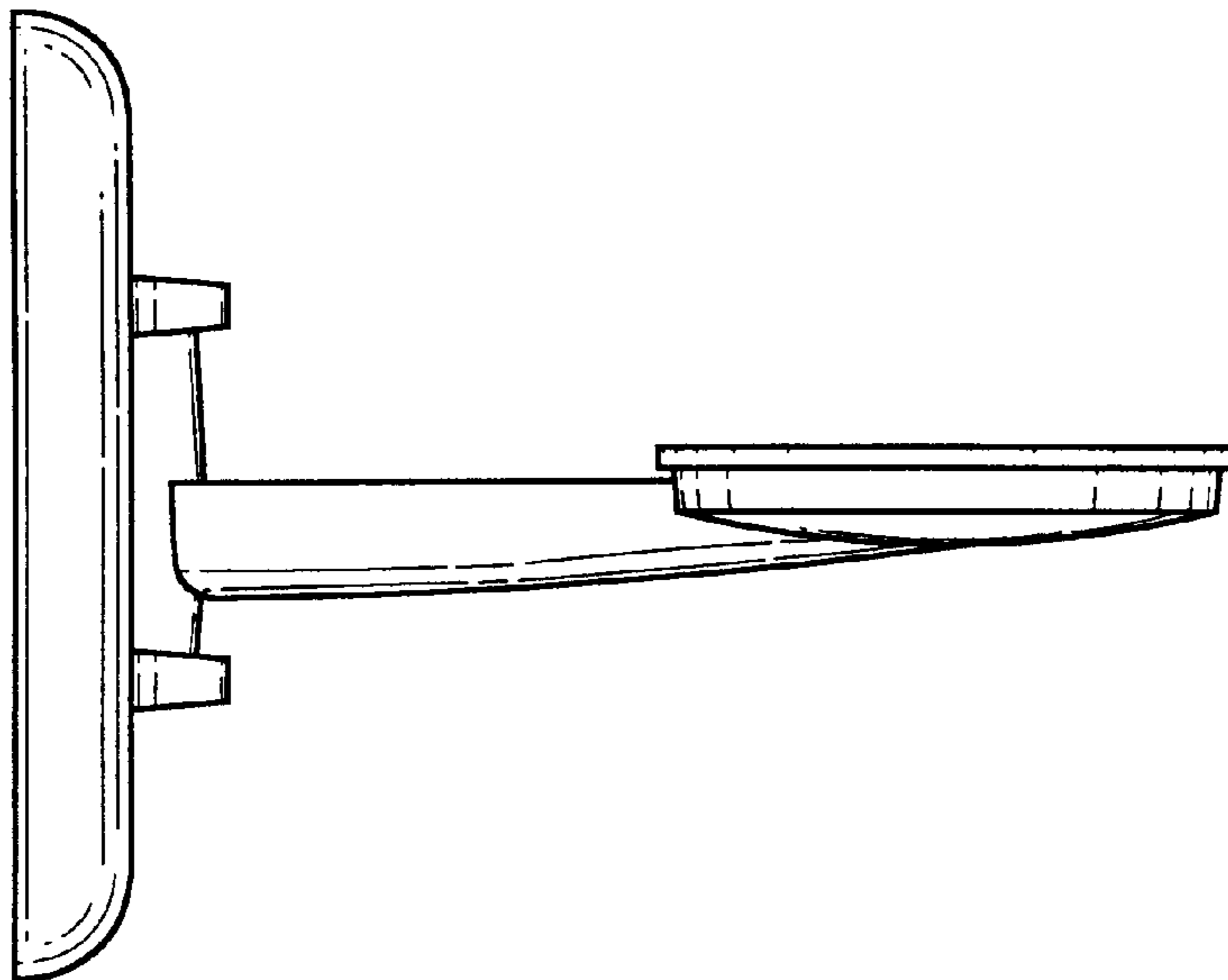
FIG. 1 is a perspective view of a video camera support showing my new design;  
FIG. 2 is a front elevational view, the rear elevational view being a mirror image thereof;  
FIG. 3 is a top plan view thereof;  
FIG. 4 is a bottom plan view thereof;  
FIG. 5 is a right side elevational view thereof; and,  
FIG. 6 is a left side elevational view thereof.

**1 Claim, 3 Drawing Sheets**

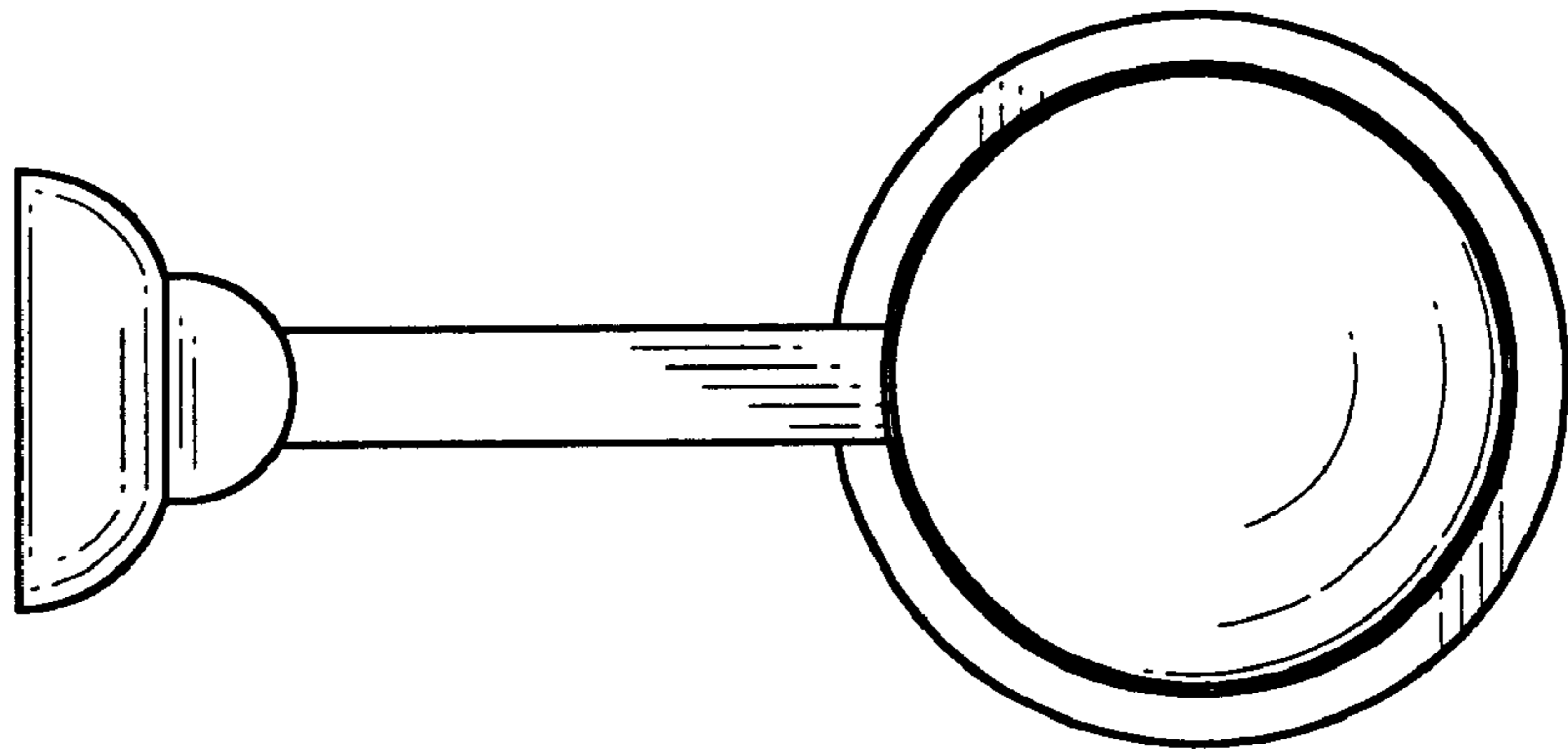




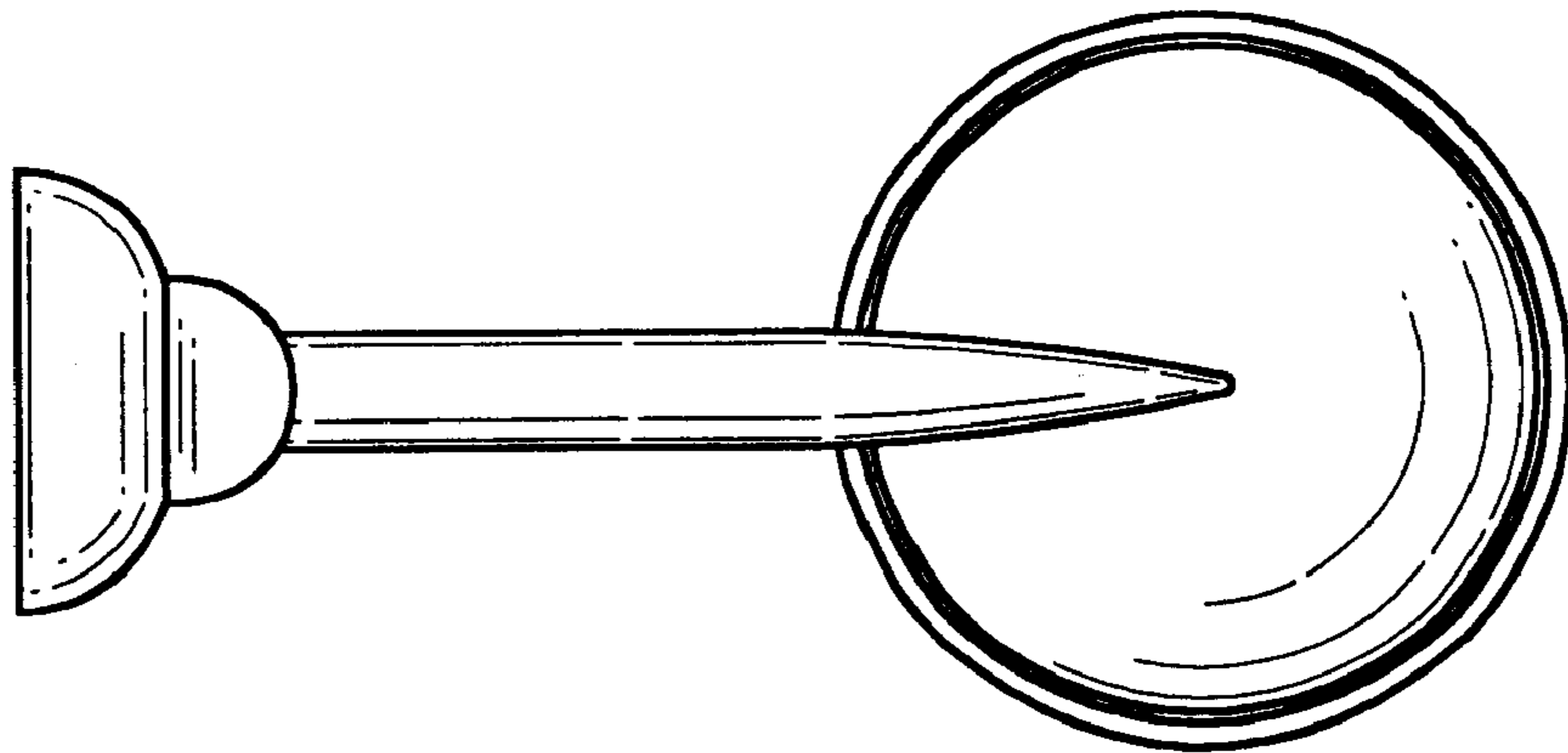
*FIG. 1*



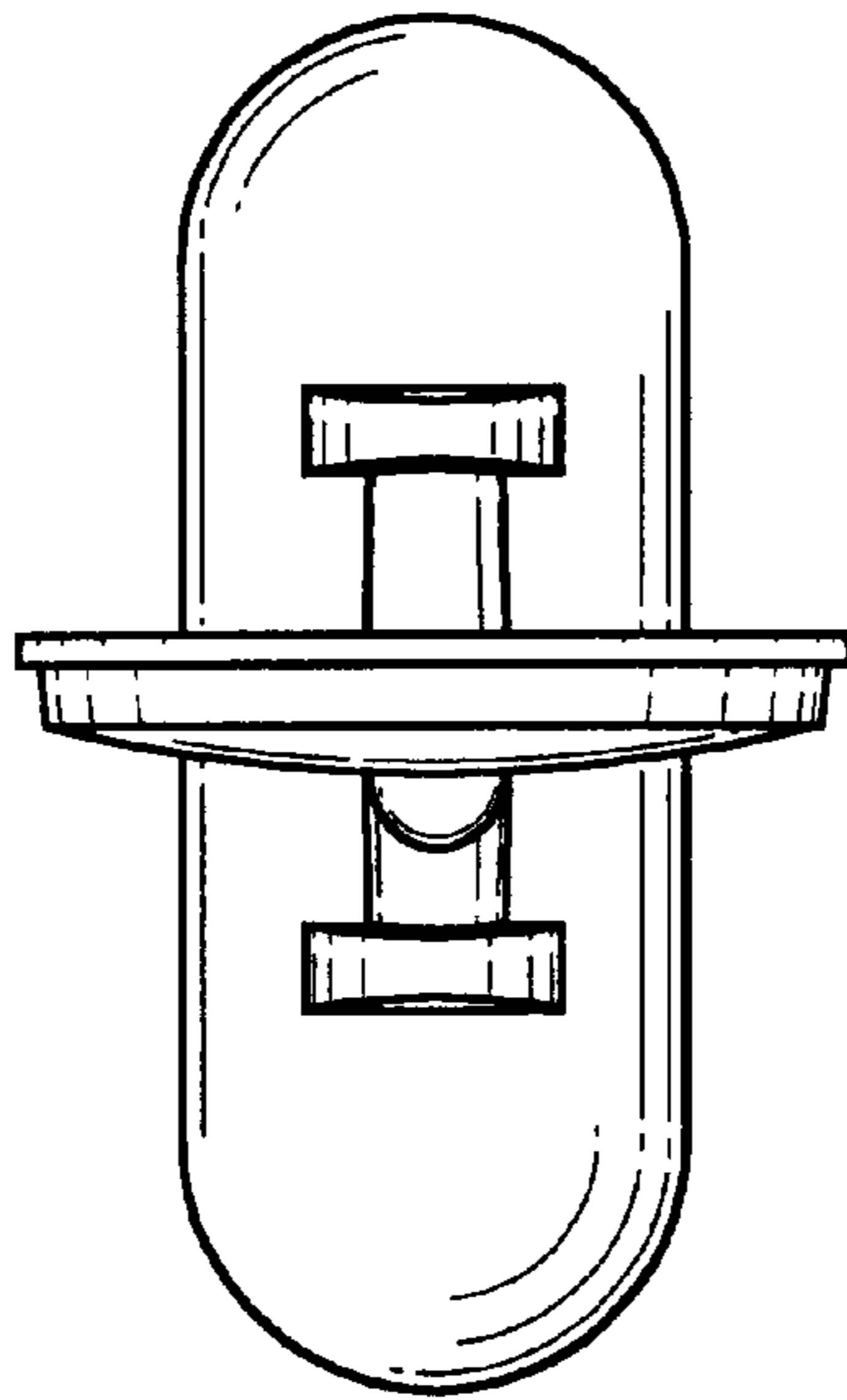
*FIG. 2*



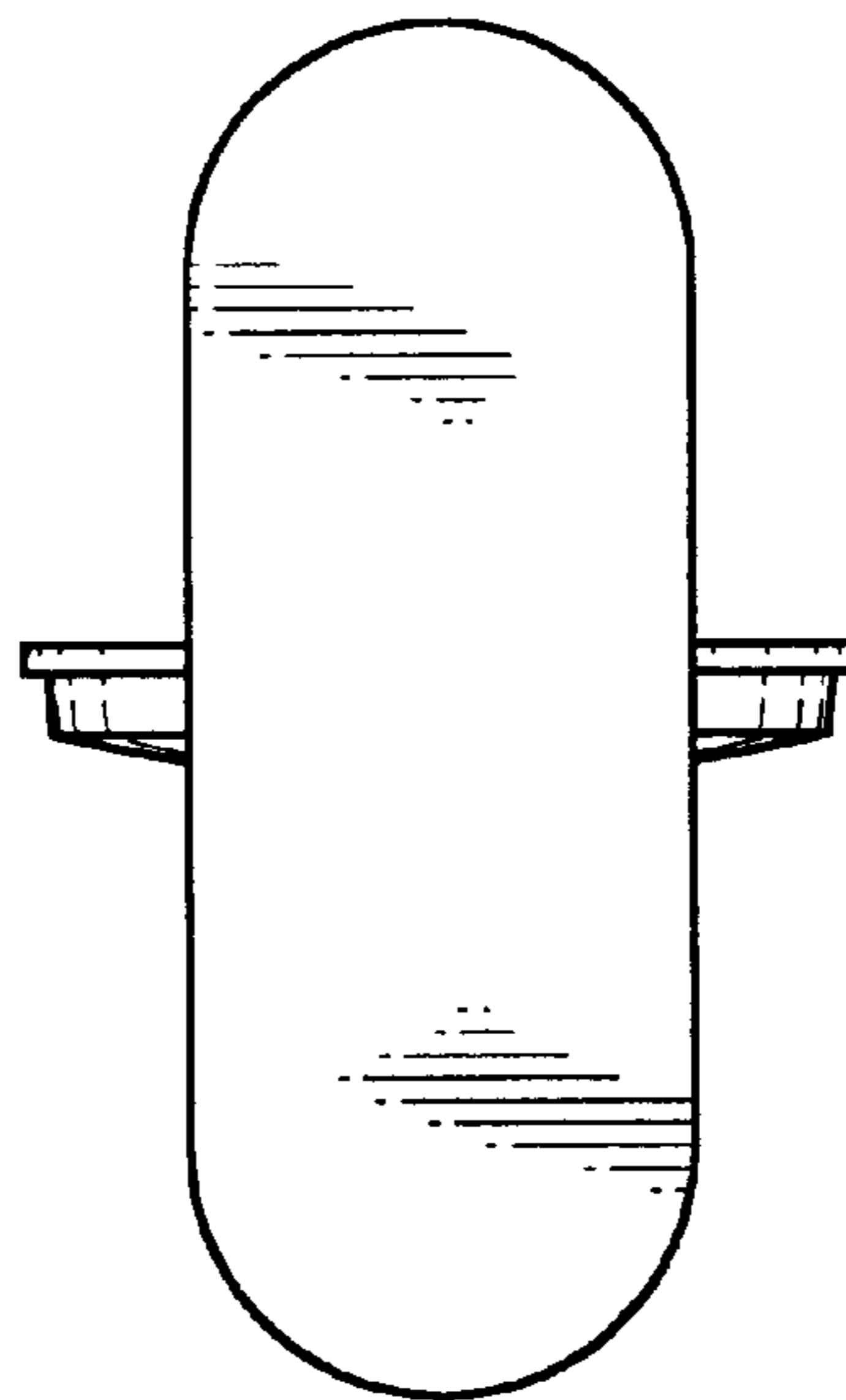
*FIG. 3*



*FIG. 4*



*FIG. 5*



*FIG. 6*