



US00D445817S

(12) **United States Design Patent**
Okuley

(10) **Patent No.:** **US D445,817 S**

(45) **Date of Patent:** **** Jul. 31, 2001**

(54) **HANDHELD STILL/VIDEO CAMERA**

3,242,840 * 3/1966 Kremp et al. 352/243

(75) Inventor: **James M. Okuley**, Portland, OR (US)

* cited by examiner

(73) Assignee: **Intel Corporation**, Santa Clara, CA (US)

Primary Examiner—Adir Aronovich

(74) *Attorney, Agent, or Firm*—Marger Johnson & McCollom, P.C.

(**) Term: **14 Years**

(57) **CLAIM**

(21) Appl. No.: **29/135,170**

The ornamental design for a handheld still/video camera, as shown and described.

(22) Filed: **Jan. 5, 2001**

DESCRIPTION

(51) **LOC (7) Cl.** **16-01**

(52) **U.S. Cl.** **D16/206; D16/202**

(58) **Field of Search** D16/200–206,
D16/208, 218; 348/373–376; 352/242, 243;
396/535–541

FIG. 1 is a perspective view of a handheld still/video camera;

FIG. 2 is a left side elevation view thereof;

FIG. 3 is a right side elevation view thereof;

FIG. 4 is front elevation view thereof;

FIG. 5 is a back elevation view thereof;

FIG. 6 is a top plan view thereof; and,

FIG. 7 is a bottom plan view.

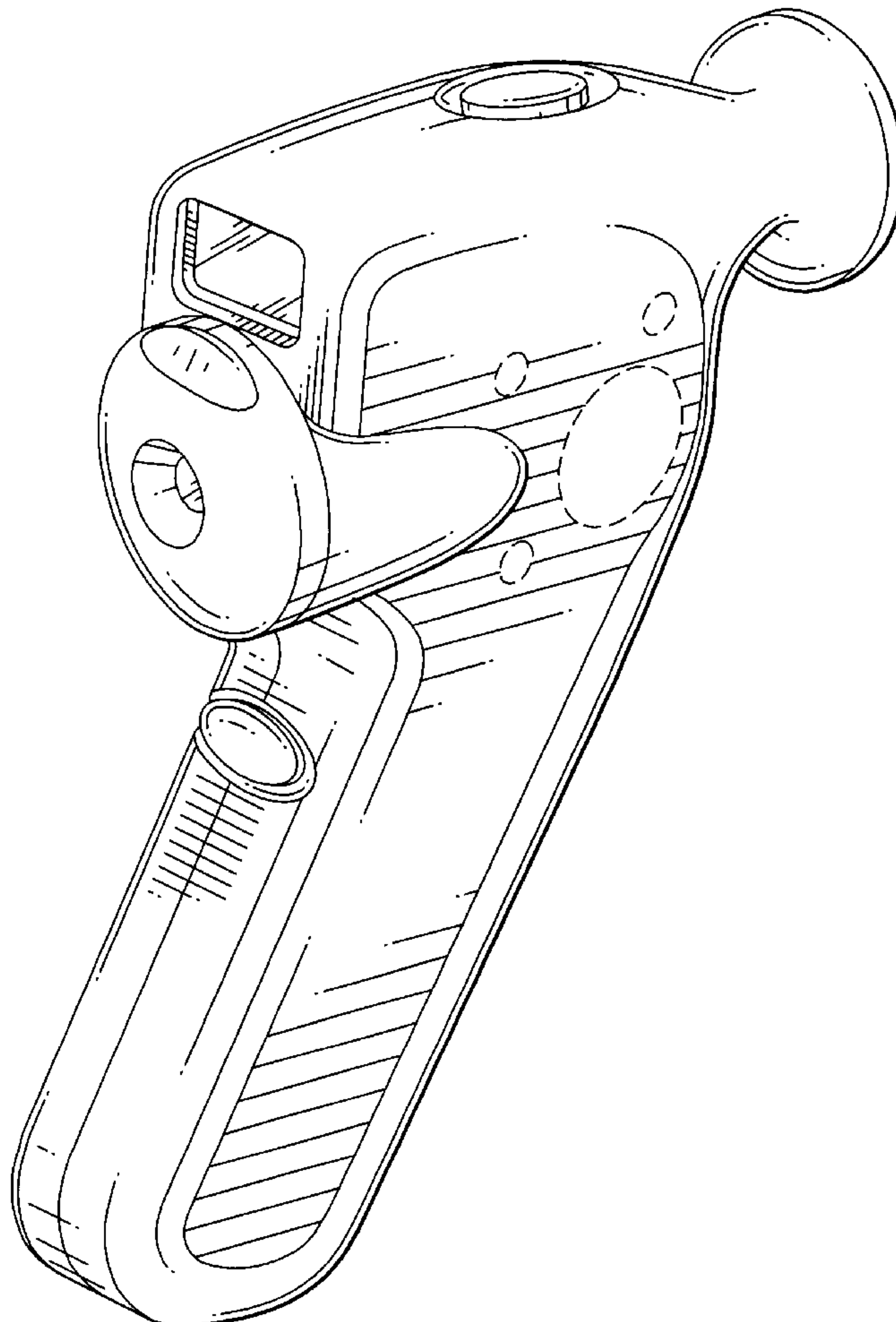
The broken lines in the figures are for illustrative purposes only and form no part of the claimed design.

(56) **References Cited**

U.S. PATENT DOCUMENTS

| | | | | | |
|------------|---|--------|-----------------|-------|---------|
| D. 210,628 | * | 3/1968 | Karpf | | D16/206 |
| D. 217,837 | * | 6/1970 | Masuyama | | D16/206 |
| D. 224,163 | * | 7/1972 | Mizukawa et al. | | D16/206 |
| D. 247,568 | * | 3/1978 | Miller et al. | | D16/206 |
| 3,240,143 | * | 3/1966 | Koeber | | 352/243 |

1 Claim, 5 Drawing Sheets



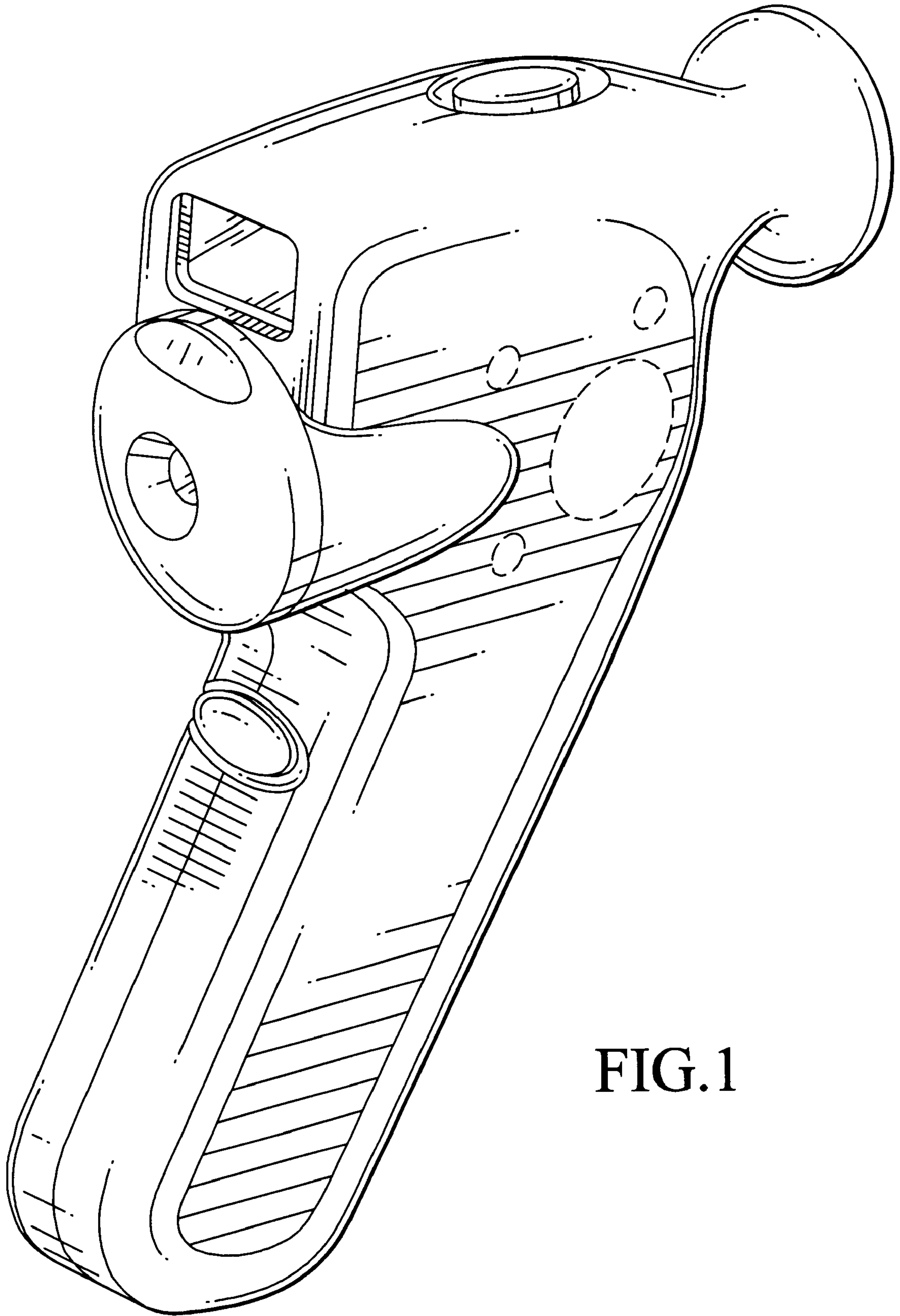


FIG. 1

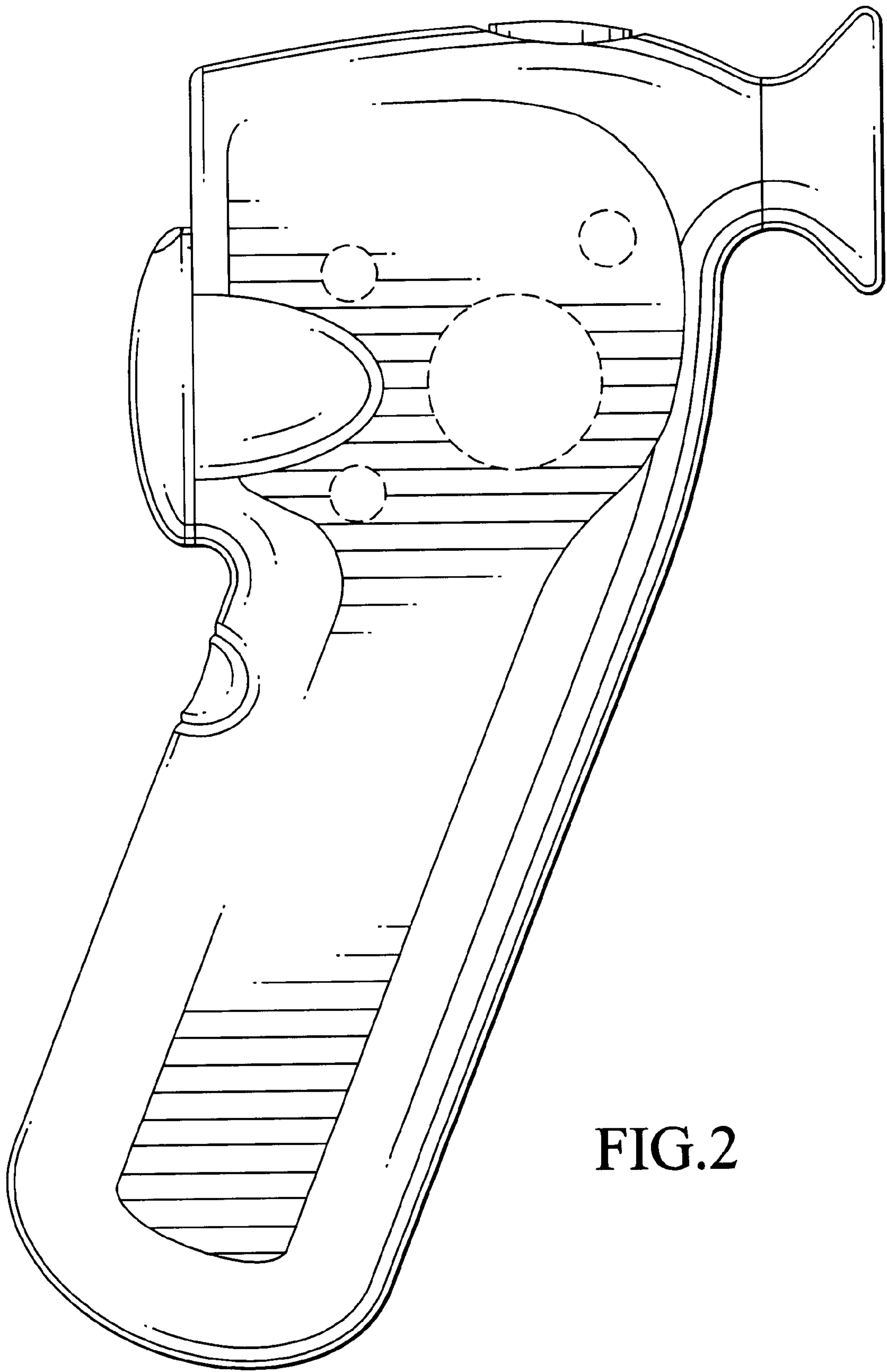


FIG.2

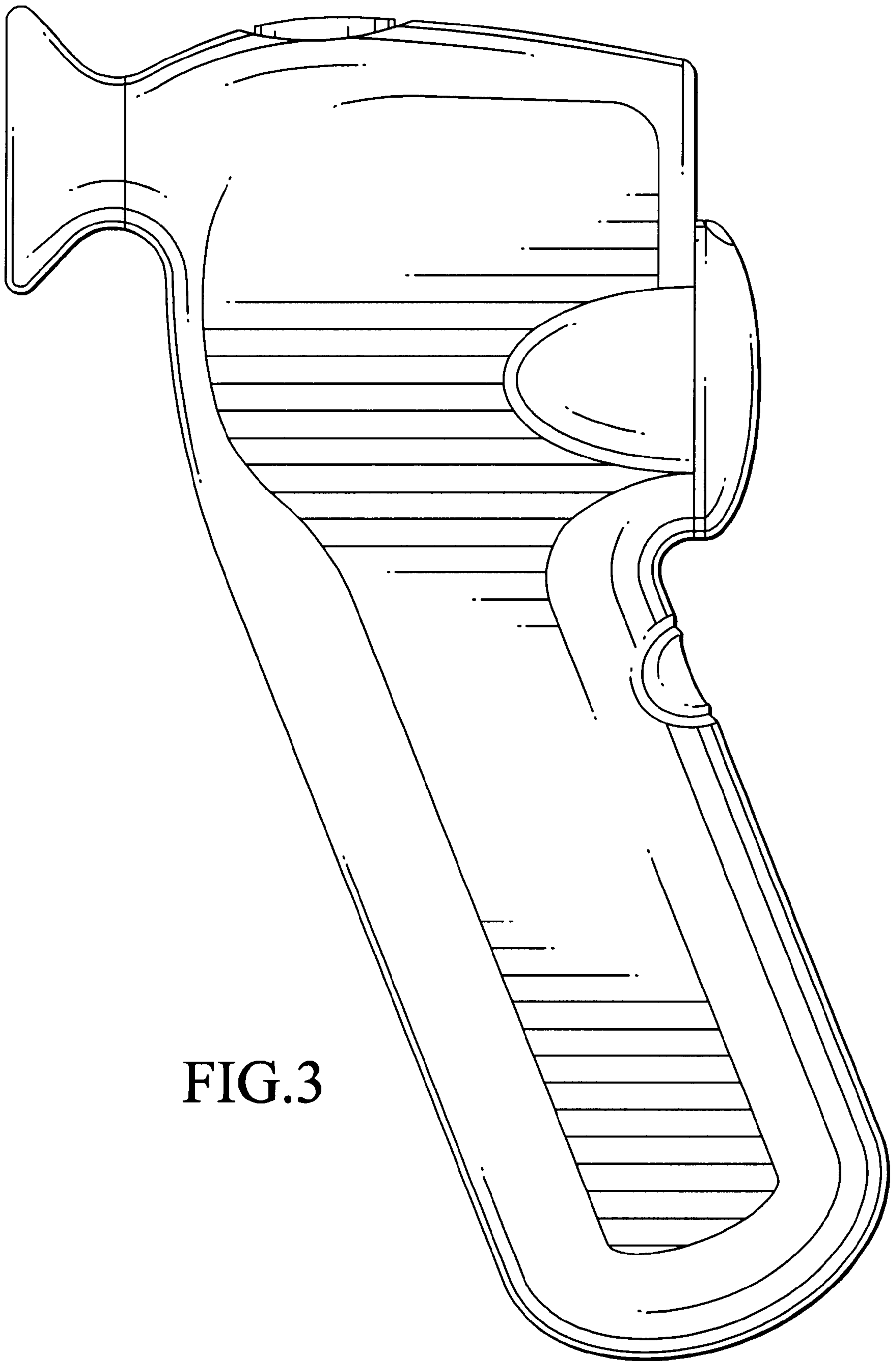


FIG.3

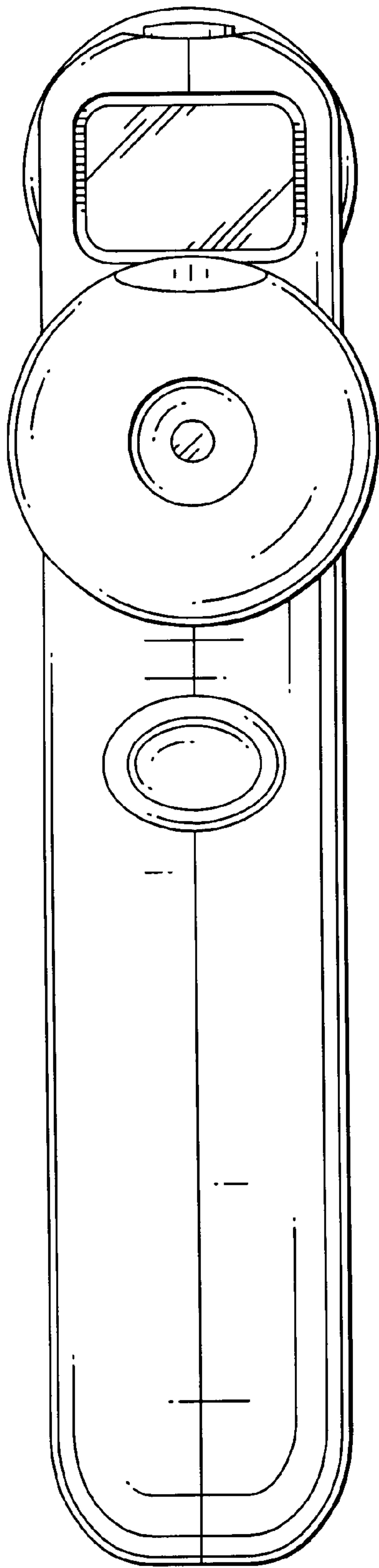


FIG. 4

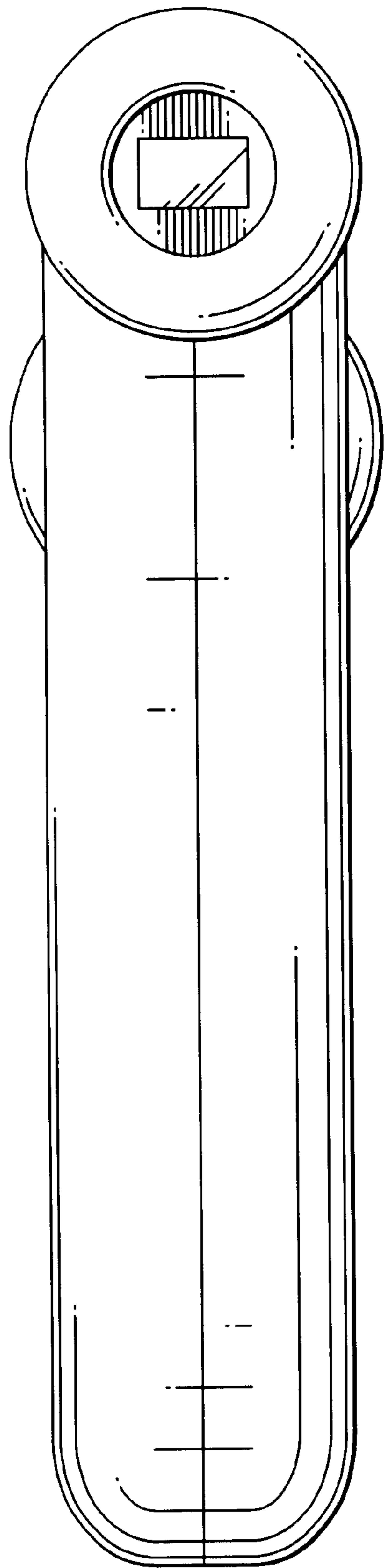


FIG. 5

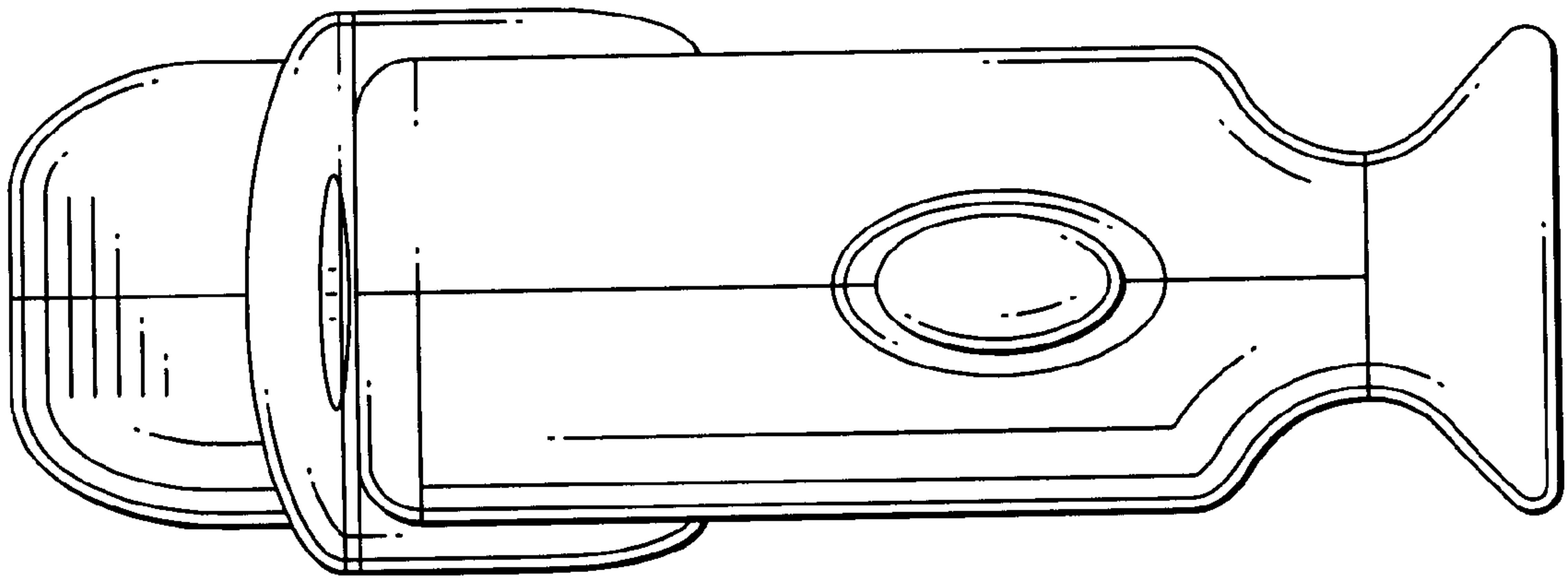


FIG. 6

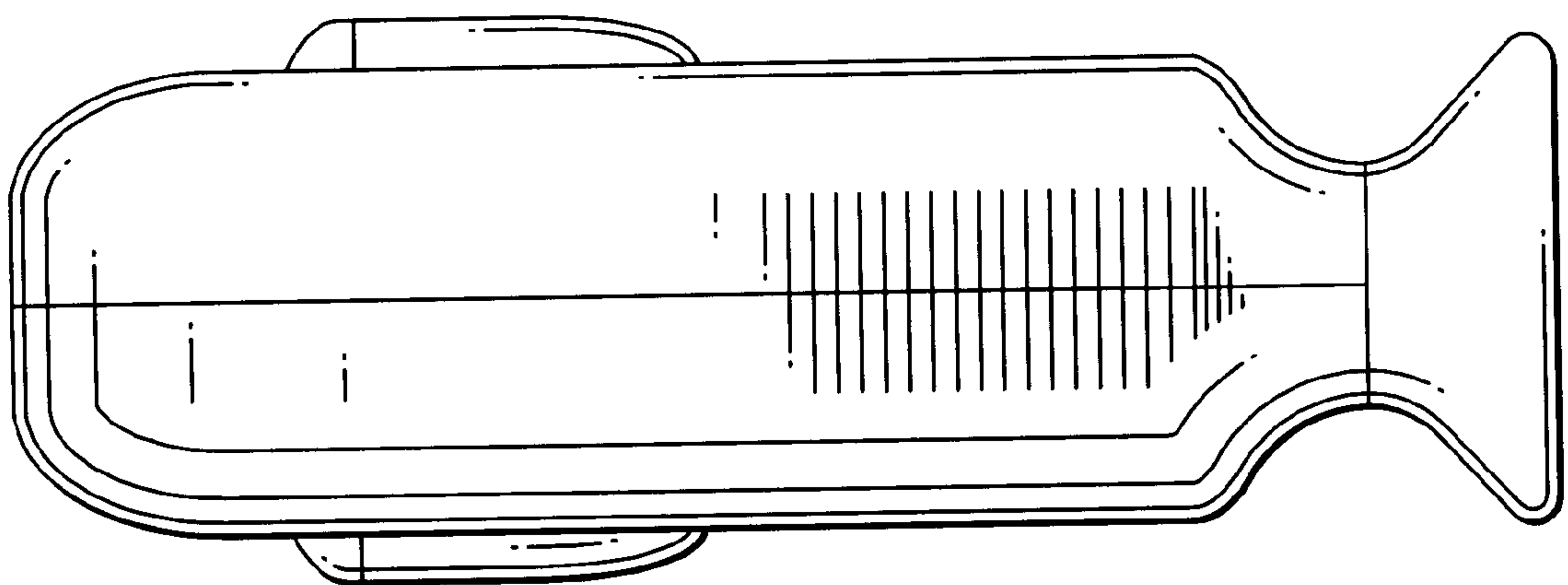


FIG. 7