



US00D445816S

(12) **United States Design Patent**
Tanaka

(10) **Patent No.:** **US D445,816 S**
(45) **Date of Patent:** **** Jul. 31, 2001**

(54) **BODY OF A TELEVISION CAMERA**

5,966,176 * 10/1999 Chow et al. 348/373

(75) Inventor: **Toshiyuki Tanaka**, Tokyo (JP)

FOREIGN PATENT DOCUMENTS

(73) Assignee: **Kabushiki Kaisha Toshiba**, Kawasaki (JP)

892280 3/1994 (JP) .

(**) Term: **14 Years**

* cited by examiner

(21) Appl. No.: **29/127,539**

Primary Examiner—Adir Aronovich

(22) Filed: **Aug. 9, 2000**

(74) *Attorney, Agent, or Firm*—Oblon, Spivak, McClelland, Maier & Neustadt, P.C.

(30) **Foreign Application Priority Data**

(57) **CLAIM**

Feb. 10, 2000 (JP) 12-002238

The ornamental design for a body of a television camera, as shown and described.

(51) **LOC (7) Cl.** **16-01**

DESCRIPTION

(52) **U.S. Cl.** **D16/203; D16/202**

FIG. 1 is a front, top and right side perspective view of a body of a television camera, showing my new design; FIG. 2 is a front elevational view thereof; FIG. 3 is a rear elevational view thereof; FIG. 4 is a right side elevational view thereof; FIG. 5 is a left side elevational view thereof; FIG. 6 is a top plan view thereof; FIG. 7 is a bottom plan view thereof; FIG. 8 is a rear elevational view thereof, with a cover of an auxiliary operating section being opened; and, FIG. 9 is a right side elevational view thereof, with the cover of the auxiliary operating section in the open state.

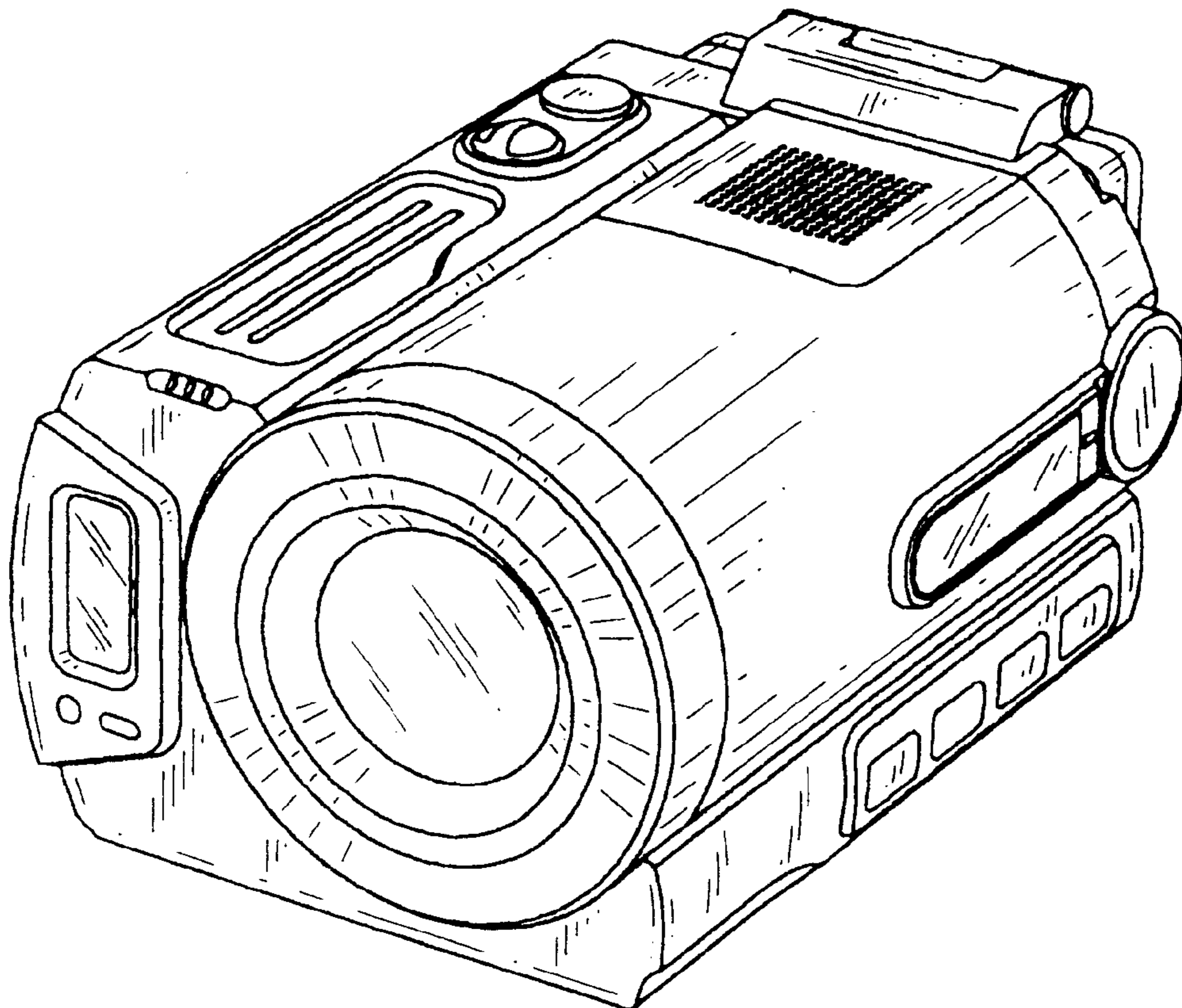
(58) **Field of Search** D16/200–205, D16/208; 348/373–376, 143; 358/906; 396/25–29, 427, 535–541

(56) **References Cited**

U.S. PATENT DOCUMENTS

- D. 409,213 * 5/1999 Bae D16/202
- D. 409,641 * 5/1999 Uehara D16/203
- D. 410,936 * 6/1999 Isono D16/202
- D. 418,853 * 1/2000 Kubota D16/203
- D. 426,844 * 6/2000 Fujii D16/203
- 4,485,407 * 11/1984 Bohm et al. 348/374

1 Claim, 3 Drawing Sheets



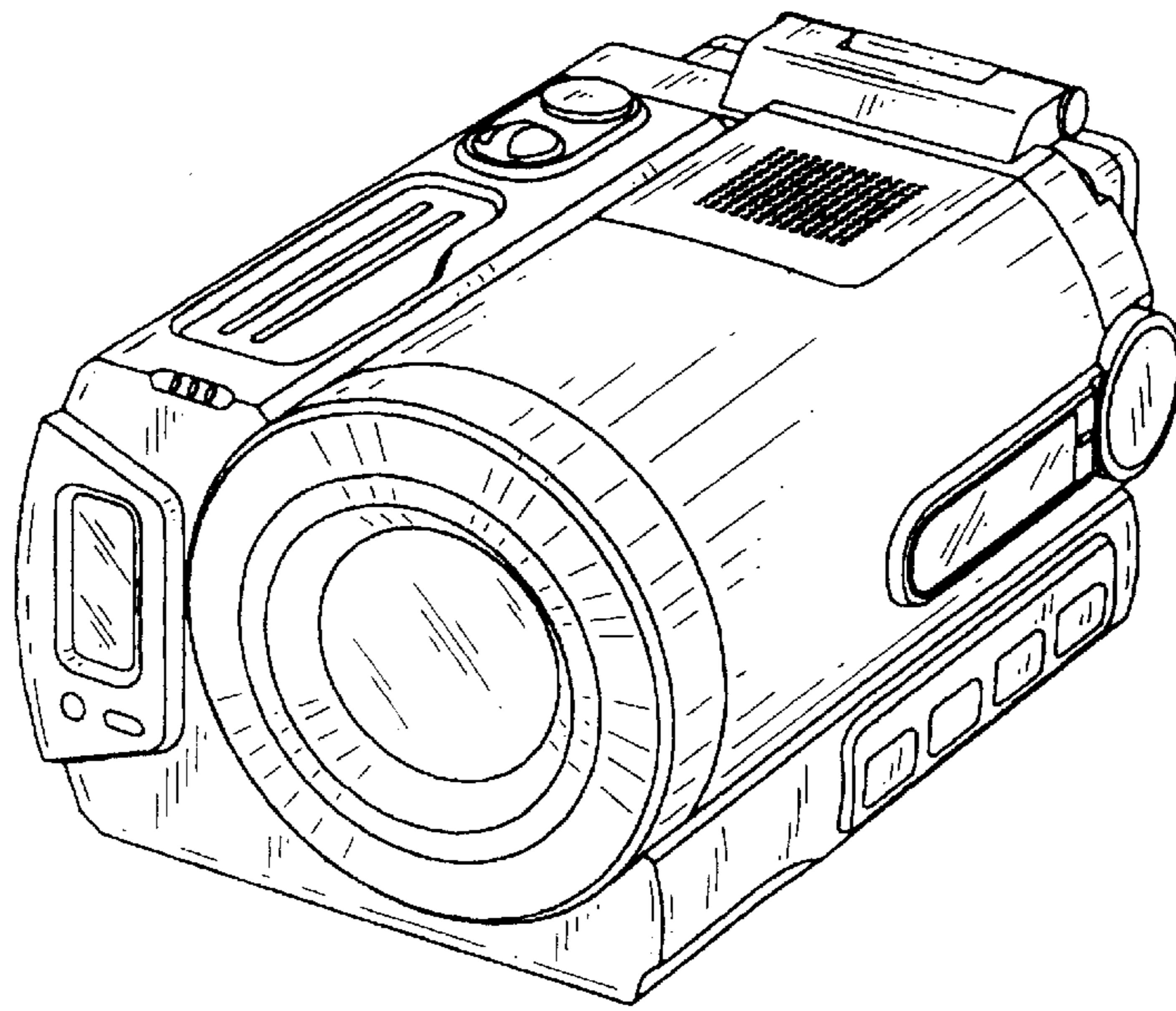


Fig. 1

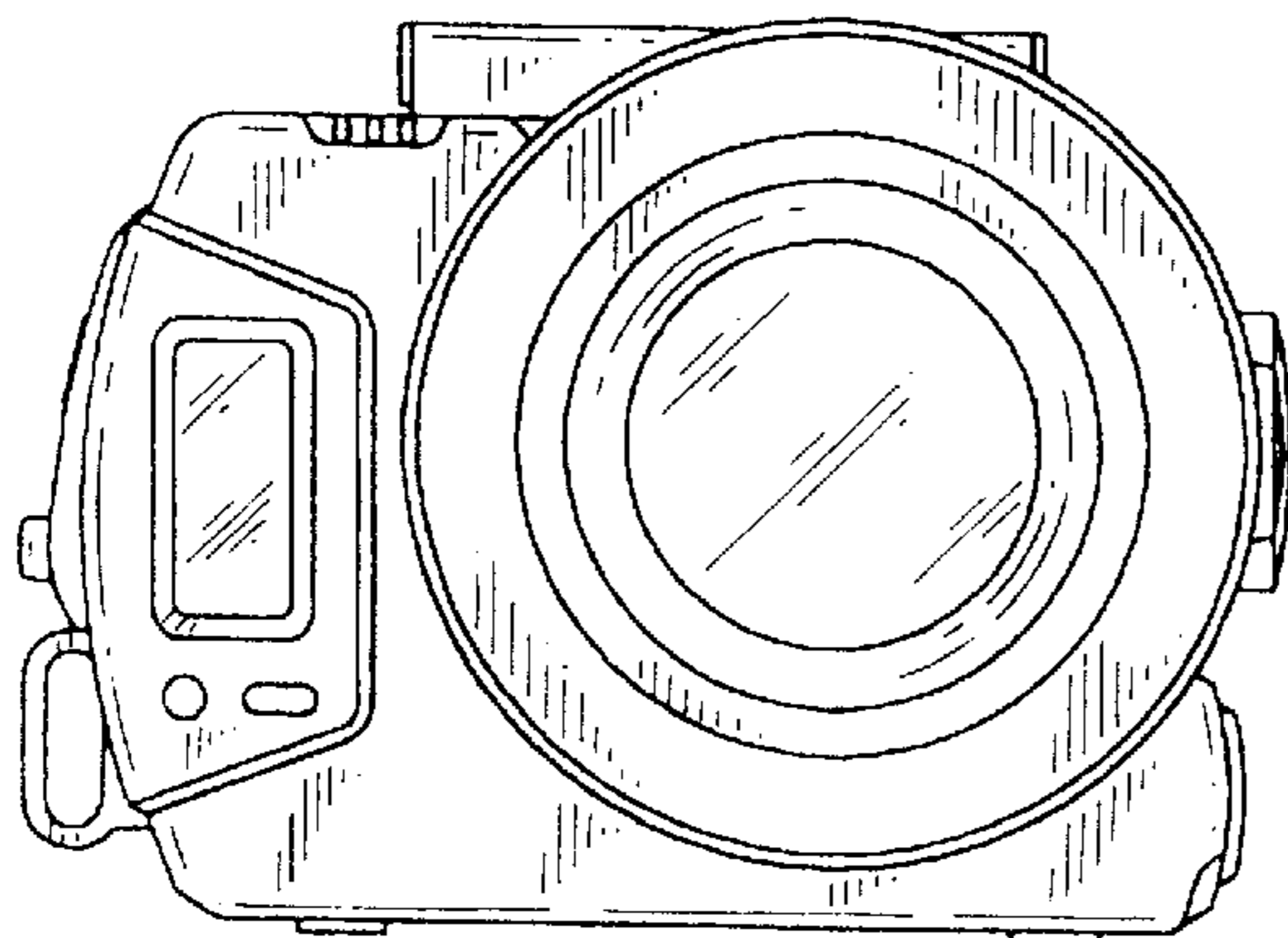


Fig. 2

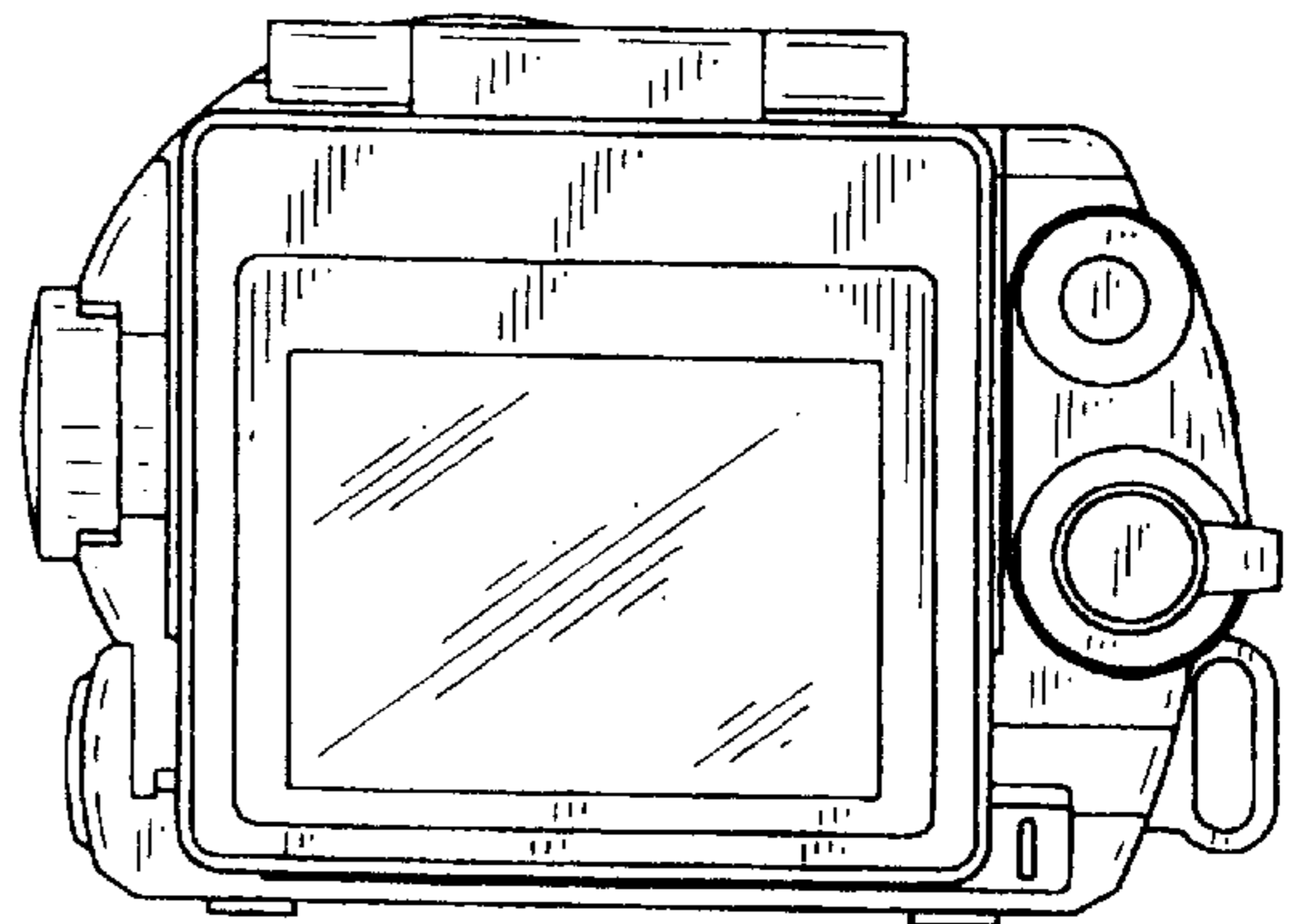


Fig. 3

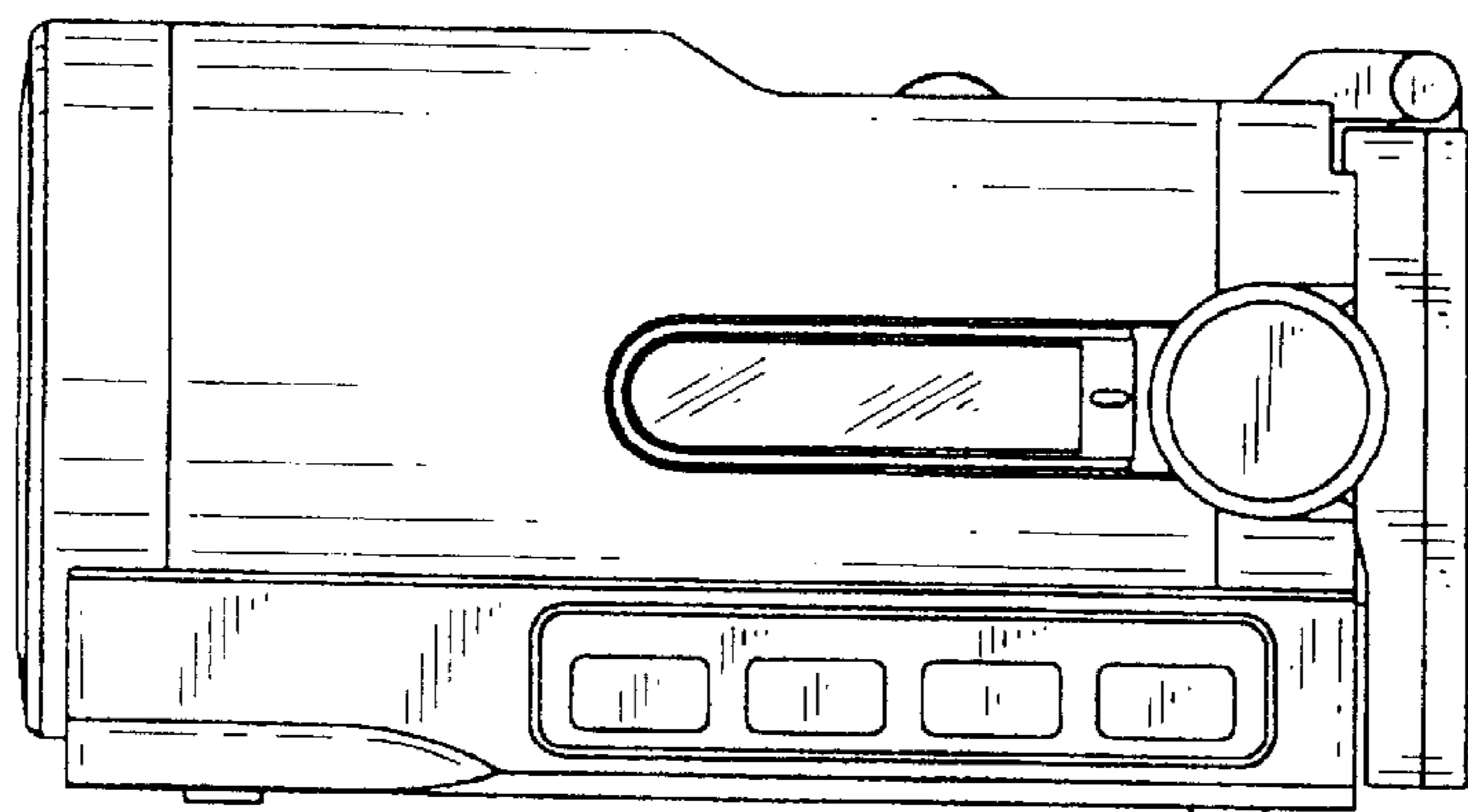


Fig. 4

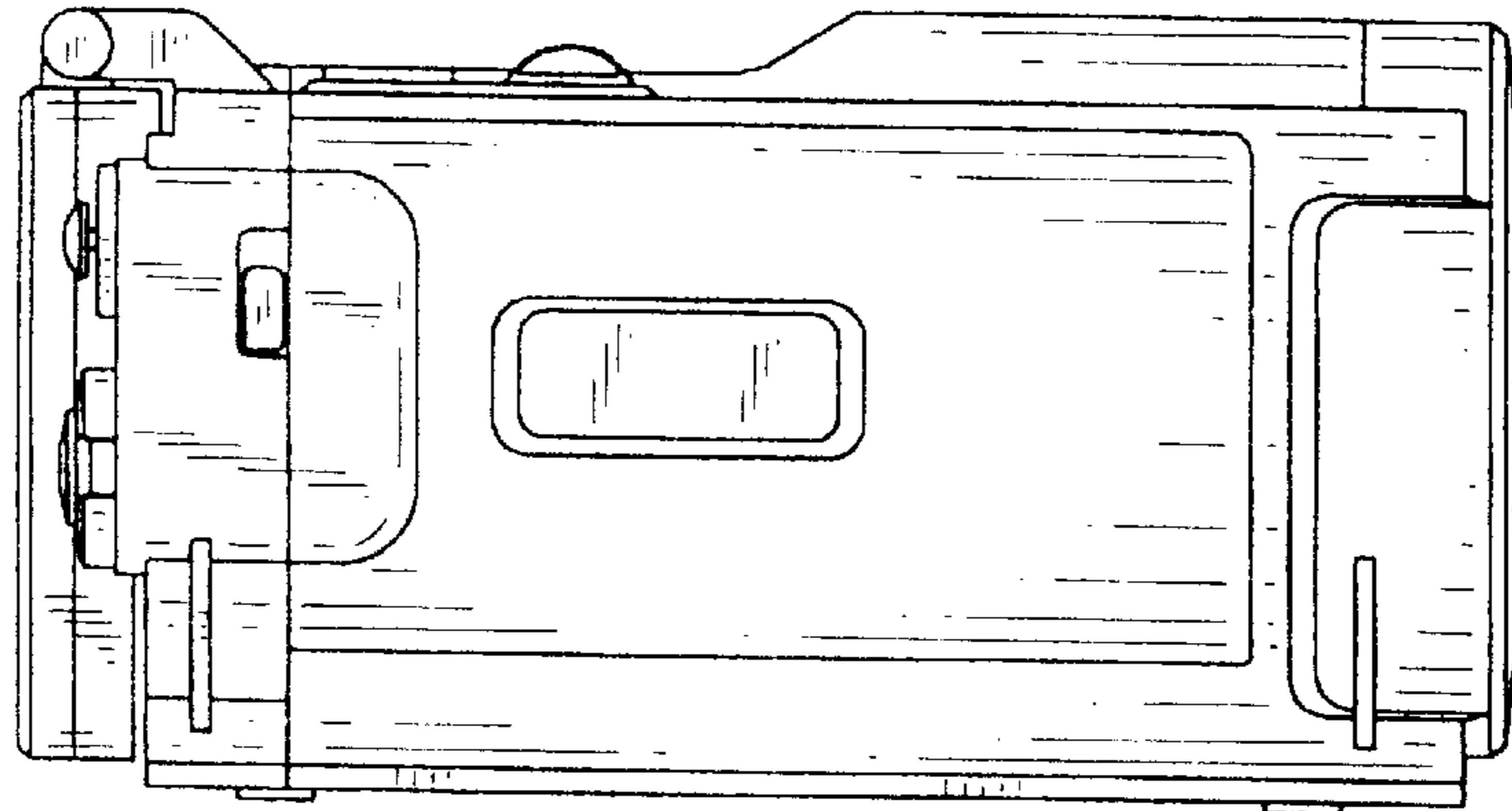


Fig. 5

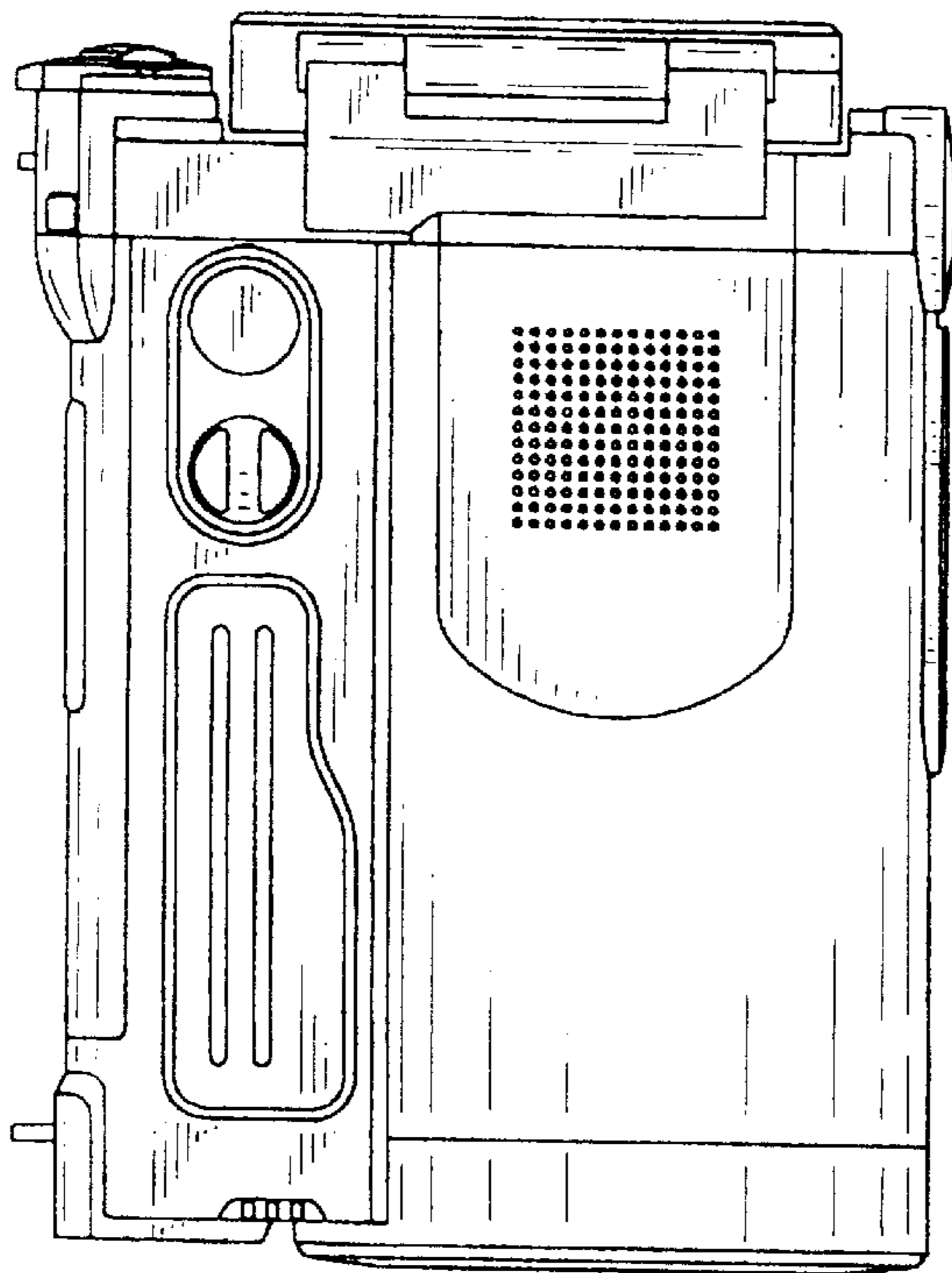


Fig. 6

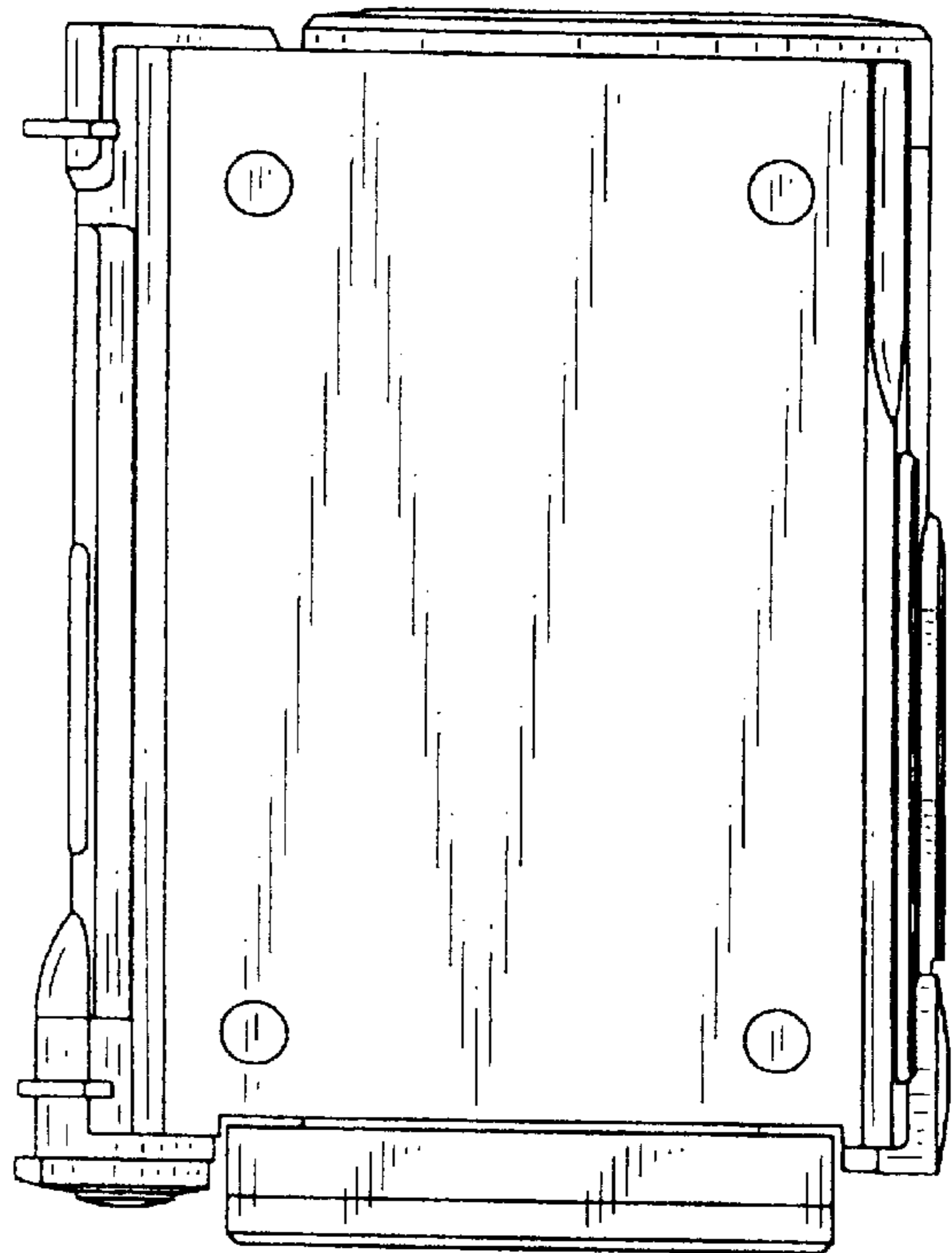


Fig. 7

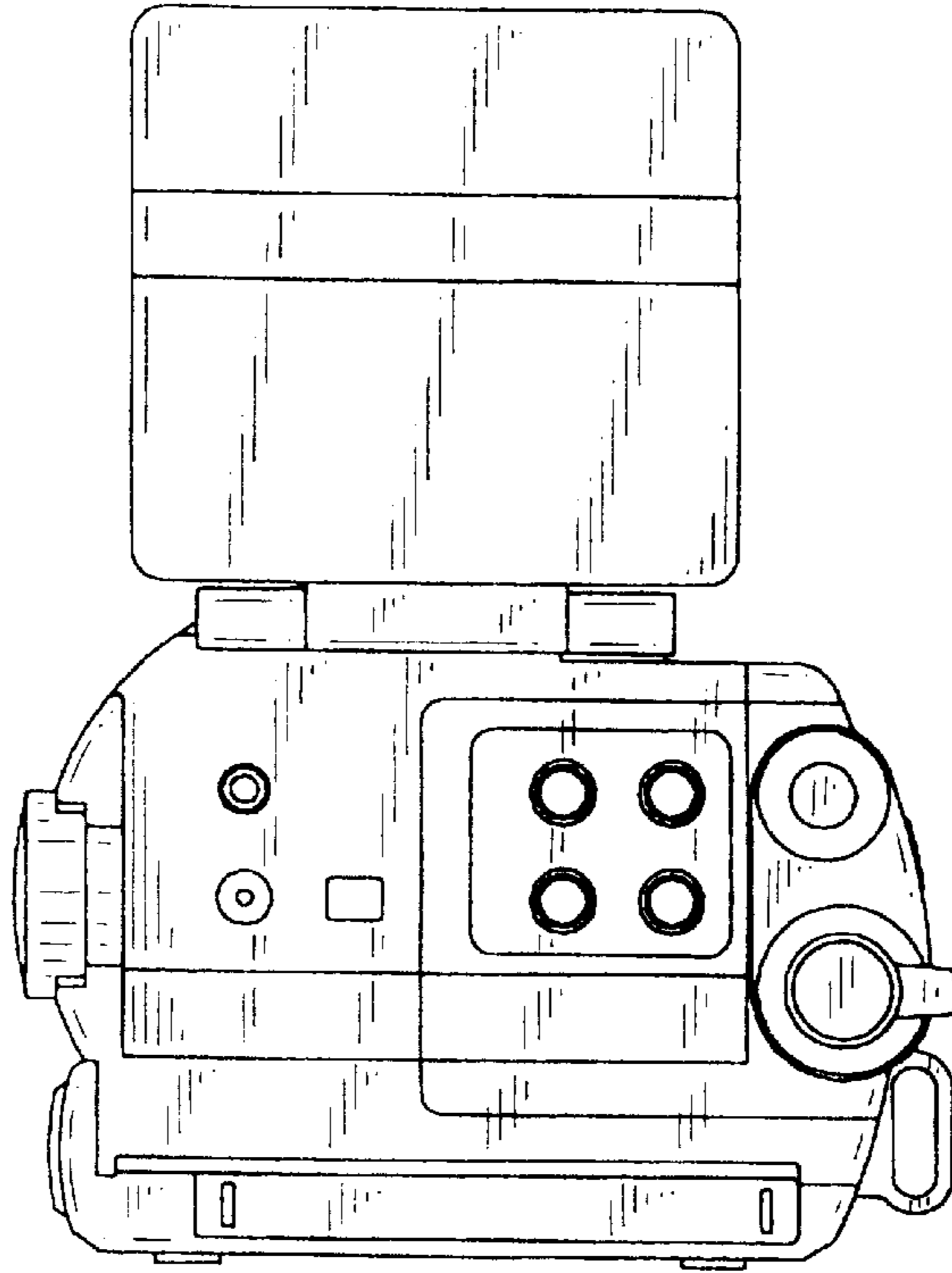


Fig. 8

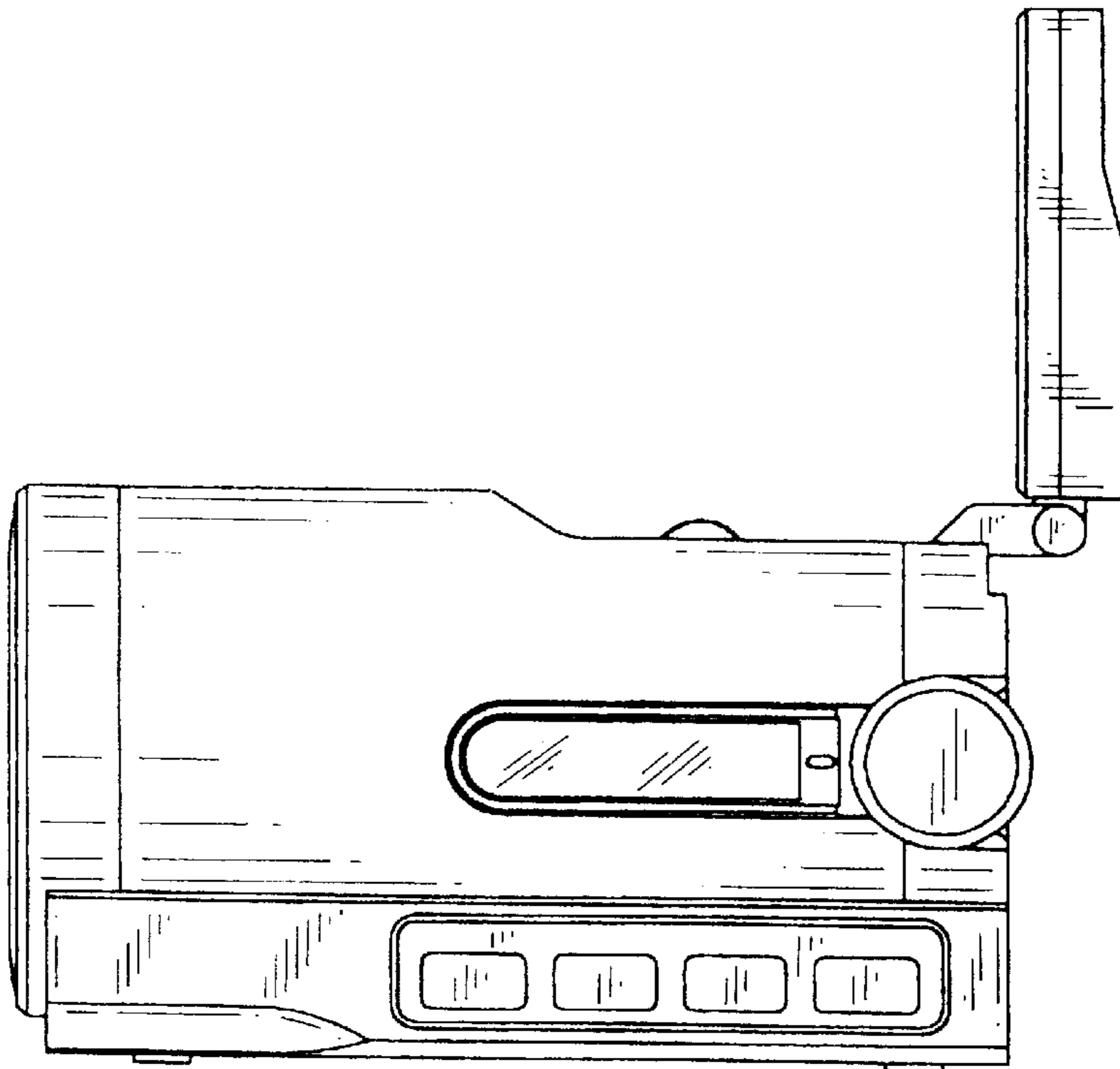


Fig. 9