



US00D445815S

(12) **United States Design Patent**
Gatto

(10) **Patent No.:** **US D445,815 S**

(45) **Date of Patent:** **** Jul. 31, 2001**

(54) **SET-TOP BOX WITH EMBEDDED TRACKING VIDEO CAMERA**

Primary Examiner—Adir Aronovich
(74) *Attorney, Agent, or Firm*—Young Law Firm, P.C.

(75) **Inventor:** **Jean-Marie Gatto**, London (GB)

(57) **CLAIM**

(73) **Assignee:** **Webemage Corp.**, Palo Alto, CA (US)

The ornamental design for a set-top box with embedded tracking video camera, as shown.

(**) **Term:** **14 Years**

DESCRIPTION

(21) **Appl. No.:** **29/132,949**

FIG. 1 is a perspective view of the set-top box with embedded tracking video camera according to the present invention;

(22) **Filed:** **Nov. 16, 2000**

FIG. 2 is a front view of the set-top box with embedded tracking video camera according to the present invention;

(51) **LOC (7) Cl.** **16-01**

(52) **U.S. Cl.** **D16/202**

(58) **Field of Search** D16/200–205,
D16/221, 225, 230; D14/130; 348/14–20,
373–376; 396/535–541

FIG. 3 is back view of the set-top box with embedded tracking video camera according to the present invention;

FIG. 4 is right side view of the set-top box with embedded tracking video camera according to the present invention;

FIG. 5 is a left side view of the set-top box with embedded tracking video camera according to the present invention;

FIG. 6 is a plan view of the set-top box with embedded tracking video camera according to the present invention, as seen from above; and,

FIG. 7 is a plan view of the set-top box with embedded tracking video camera according to the present invention, as seen from below.

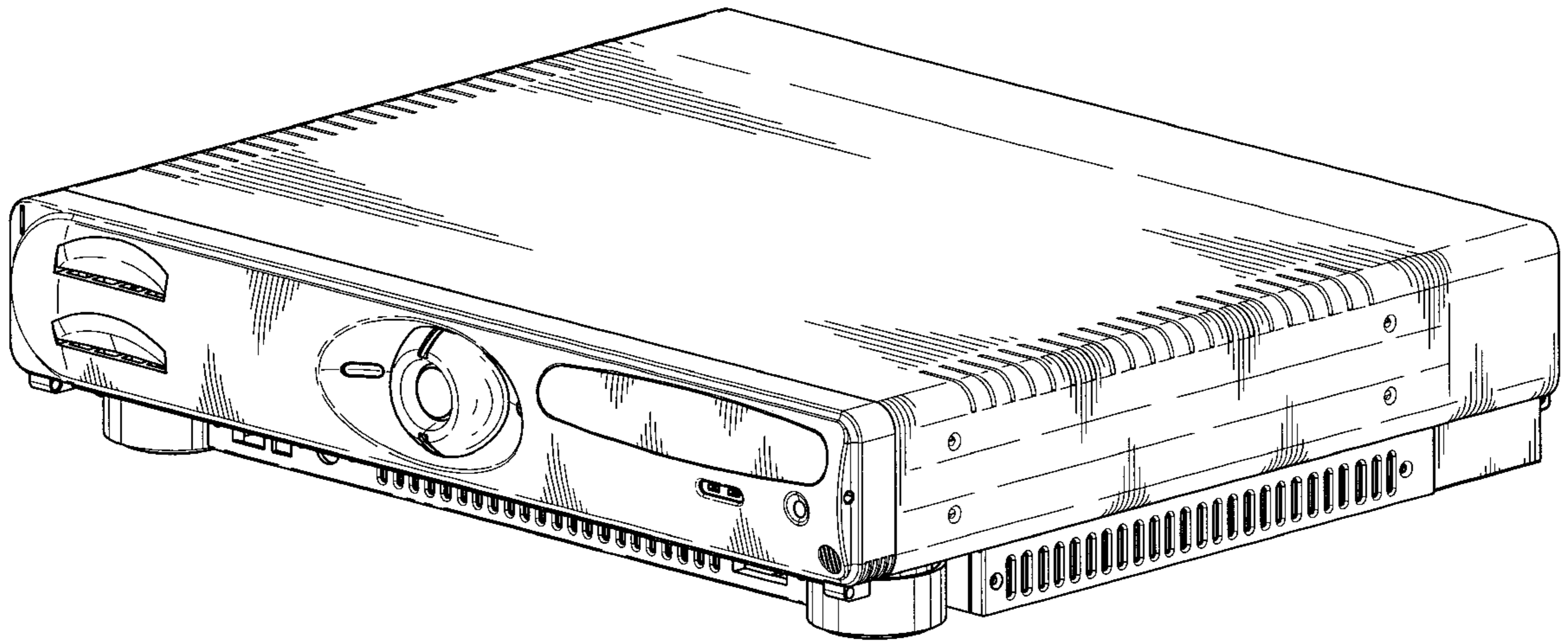
(56) **References Cited**

U.S. PATENT DOCUMENTS

D. 390,858	*	2/1998	Wen	D16/202
D. 391,940	*	3/1998	Sakata	D16/213
D. 416,930	*	11/1999	Choi	D16/203
5,760,824	*	6/1998	Hicks III	348/14
6,128,033	*	10/2000	Friedel et al.	348/15

* cited by examiner

1 Claim, 4 Drawing Sheets



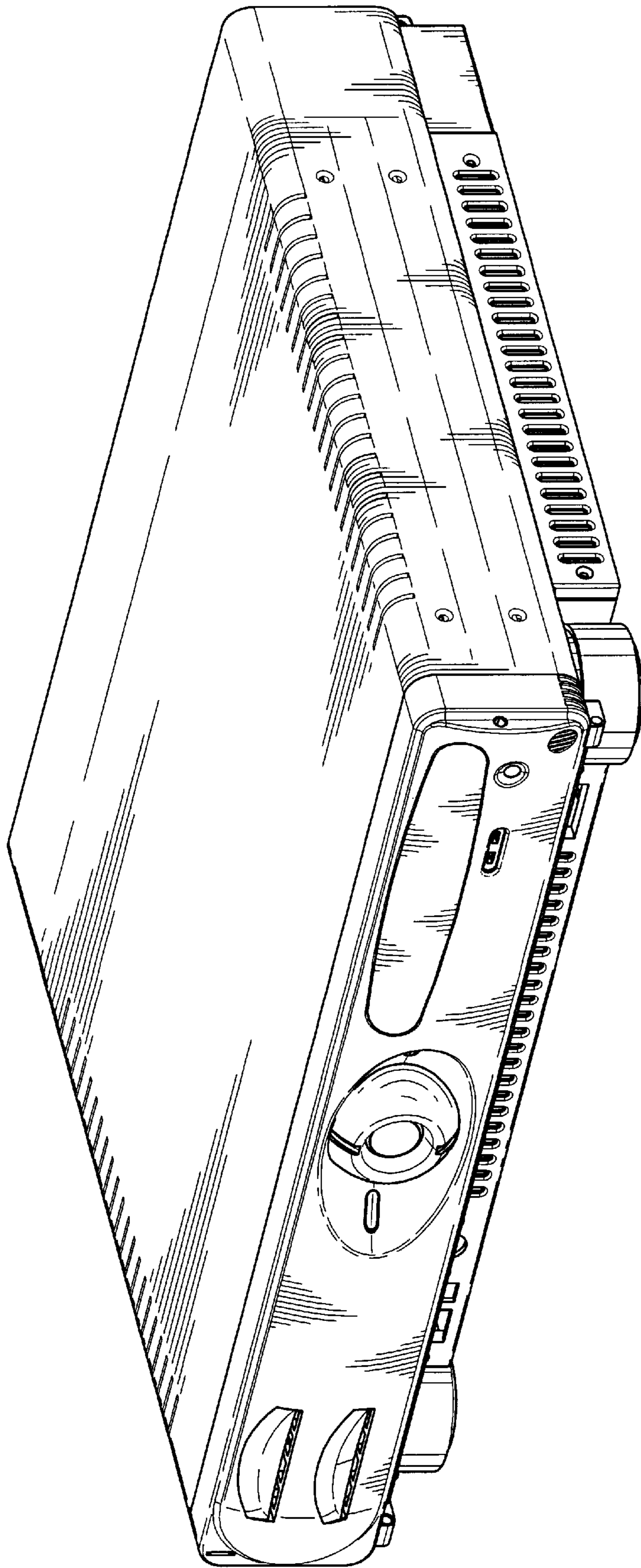


FIG. - 1

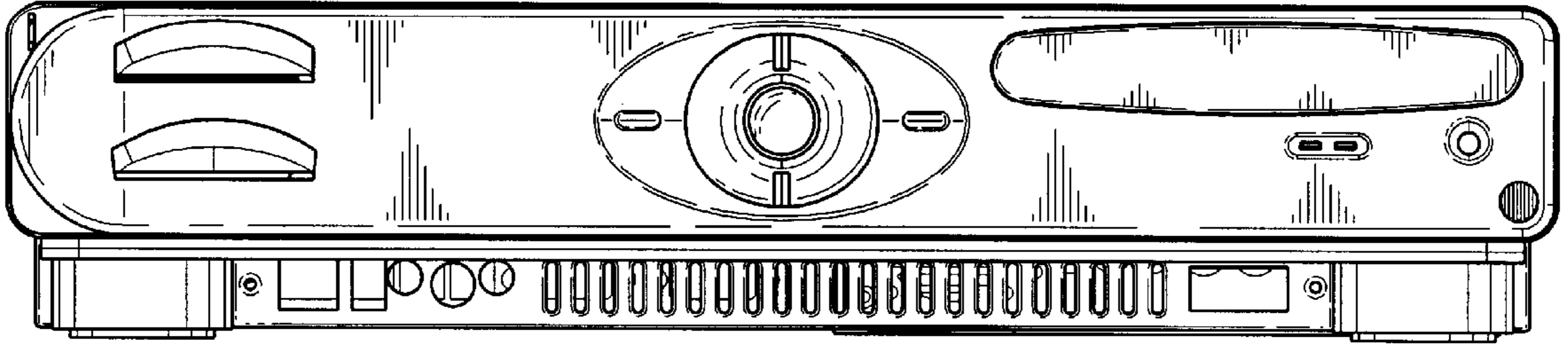


FIG. - 2

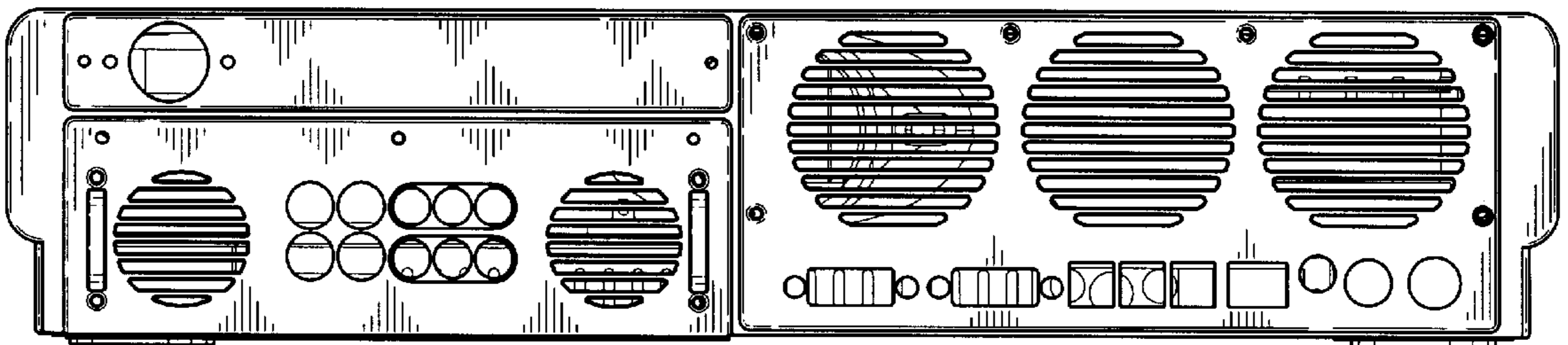


FIG. - 3

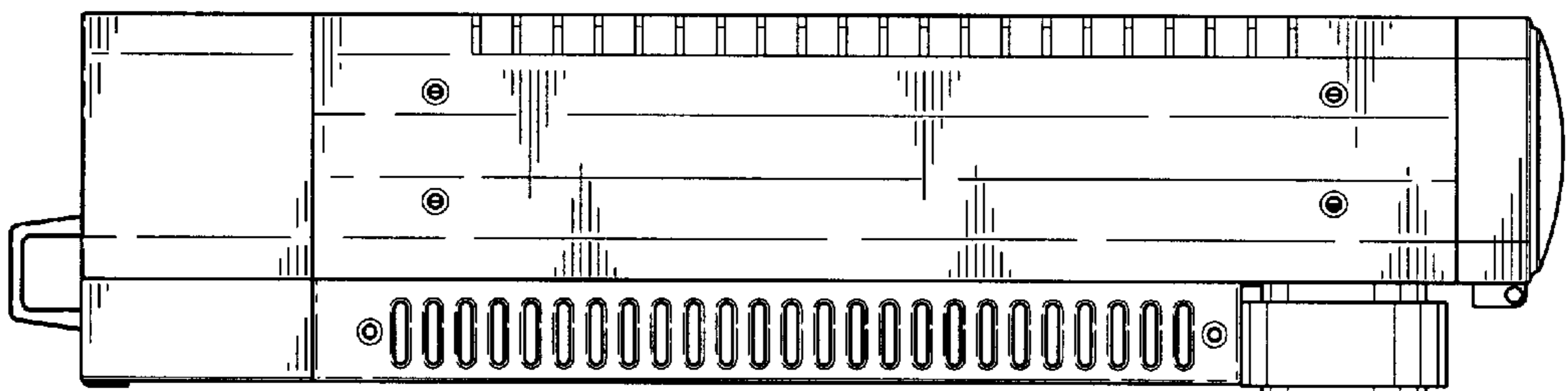


FIG. - 4

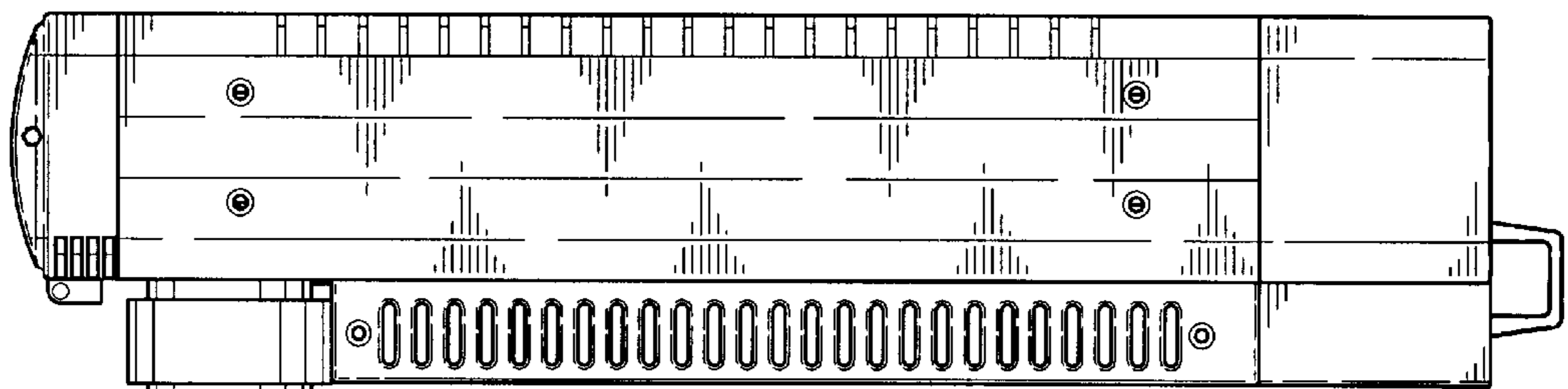


FIG. - 5

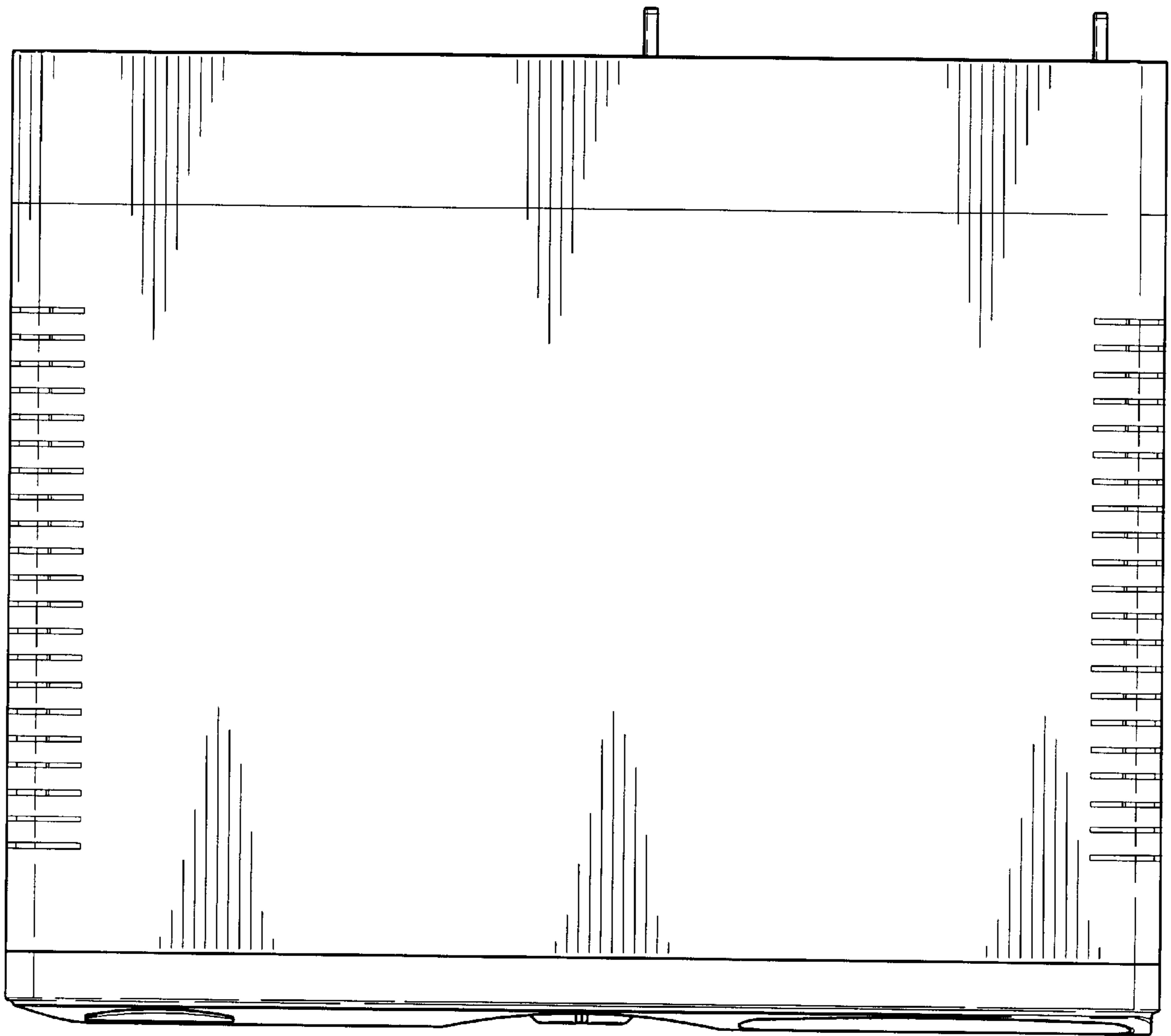


FIG. - 6

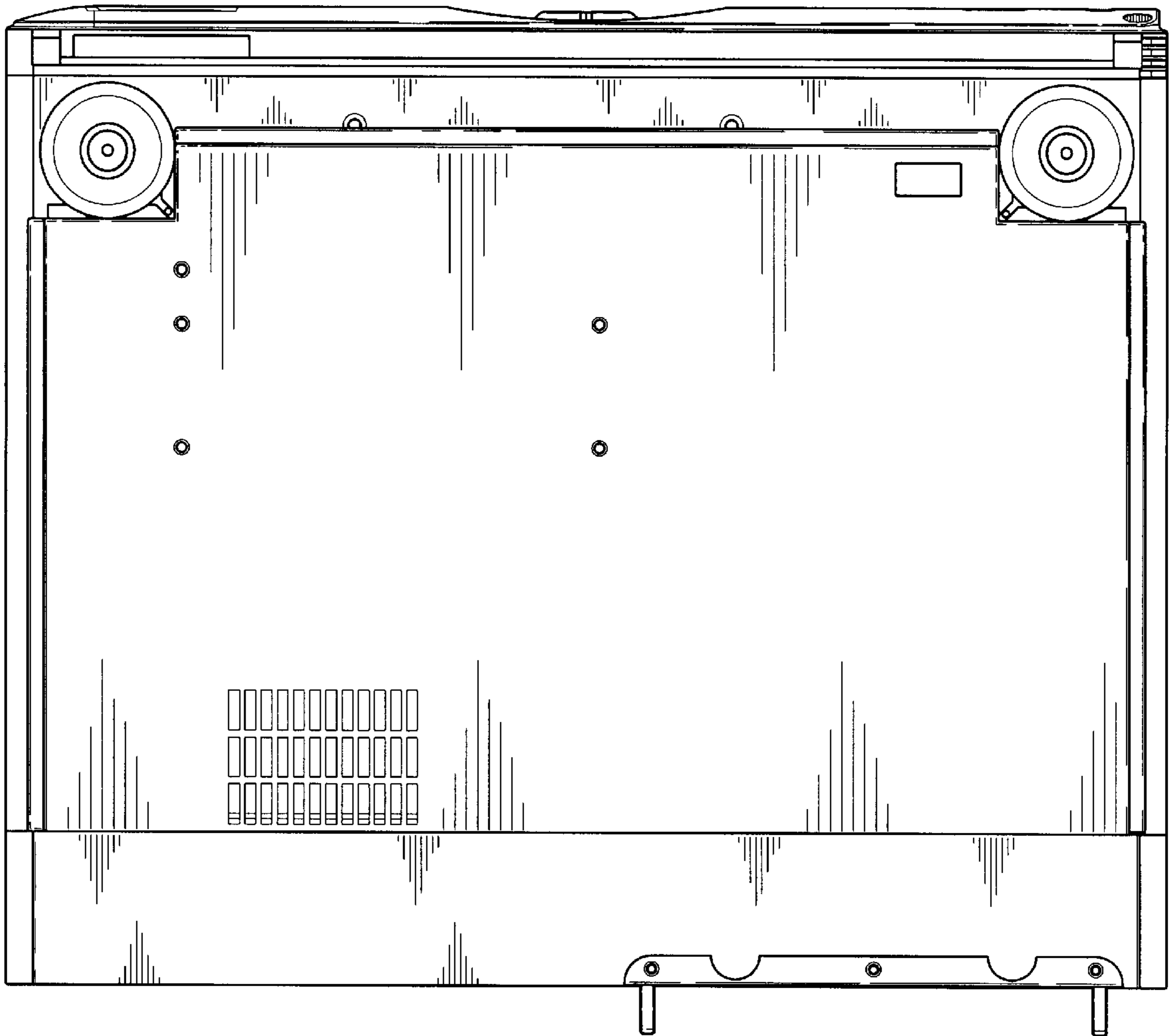


FIG.-7