



US00D445814S

(12) **United States Design Patent**
Oki et al.

(10) **Patent No.:** **US D445,814 S**

(45) **Date of Patent:** **** Jul. 31, 2001**

(54) **VIDEO CAMERA WITH COMBINED
DIGITAL VIDEO DISC RECORDER**

(75) Inventors: **Masayuki Oki**, Kodaira; **Atsuhiko
Urushihara**, Higashiyamoto; **Atsutoshi
Sato**, Fuchu; **Koji Suso**, Kokubunji;
Michiaki Ezure, Mito, all of (JP)

(73) Assignee: **Hitachi, Ltd.**, Tokyo (JP)

(**) Term: **14 Years**

(21) Appl. No.: **29/118,100**

(22) Filed: **Feb. 4, 2000**

(30) **Foreign Application Priority Data**

Oct. 4, 1999 (JP) 11-26568

(51) **LOC (7) Cl.** **16-01**

(52) **U.S. Cl.** **D16/202**

(58) **Field of Search** D16/200-205,
D16/208; 348/373-376; 358/906; 353/242,
243

(56) **References Cited**

U.S. PATENT DOCUMENTS

D. 401,256 * 11/1998 Harata D16/202

D. 412,178 * 7/1999 Kobayashi D16/202

D. 413,911 * 9/1999 Goto et al. D16/202

D. 423,541 * 4/2000 Ohwada D16/202

D. 435,575 * 12/2000 Kanatani D16/202

5,499,052 * 3/1996 Nakanishi et al. 348/373

* cited by examiner

Primary Examiner—Adir Aronovich

(74) *Attorney, Agent, or Firm*—Antonelli, Terry, Stout &
Kraus, LLP

(57) **CLAIM**

The ornamental design for a video camera with combined
digital video disc recorder, as shown.

DESCRIPTION

FIG. 1 is a front, top and right side perspective view of a
video camera with combined digital video disc recorder
showing our new design;

FIG. 2 is a front elevational view thereof;

FIG. 3 is a rear elevational view thereof;

FIG. 4 is a top plan view thereof;

FIG. 5 is a bottom plan view thereof;

FIG. 6 is a right side elevational view thereof;

FIG. 7 is a left side elevational view thereof; and,

FIG. 8 is a right side, rear and top perspective view thereof,
with the monitoring display in an open position.

1 Claim, 4 Drawing Sheets

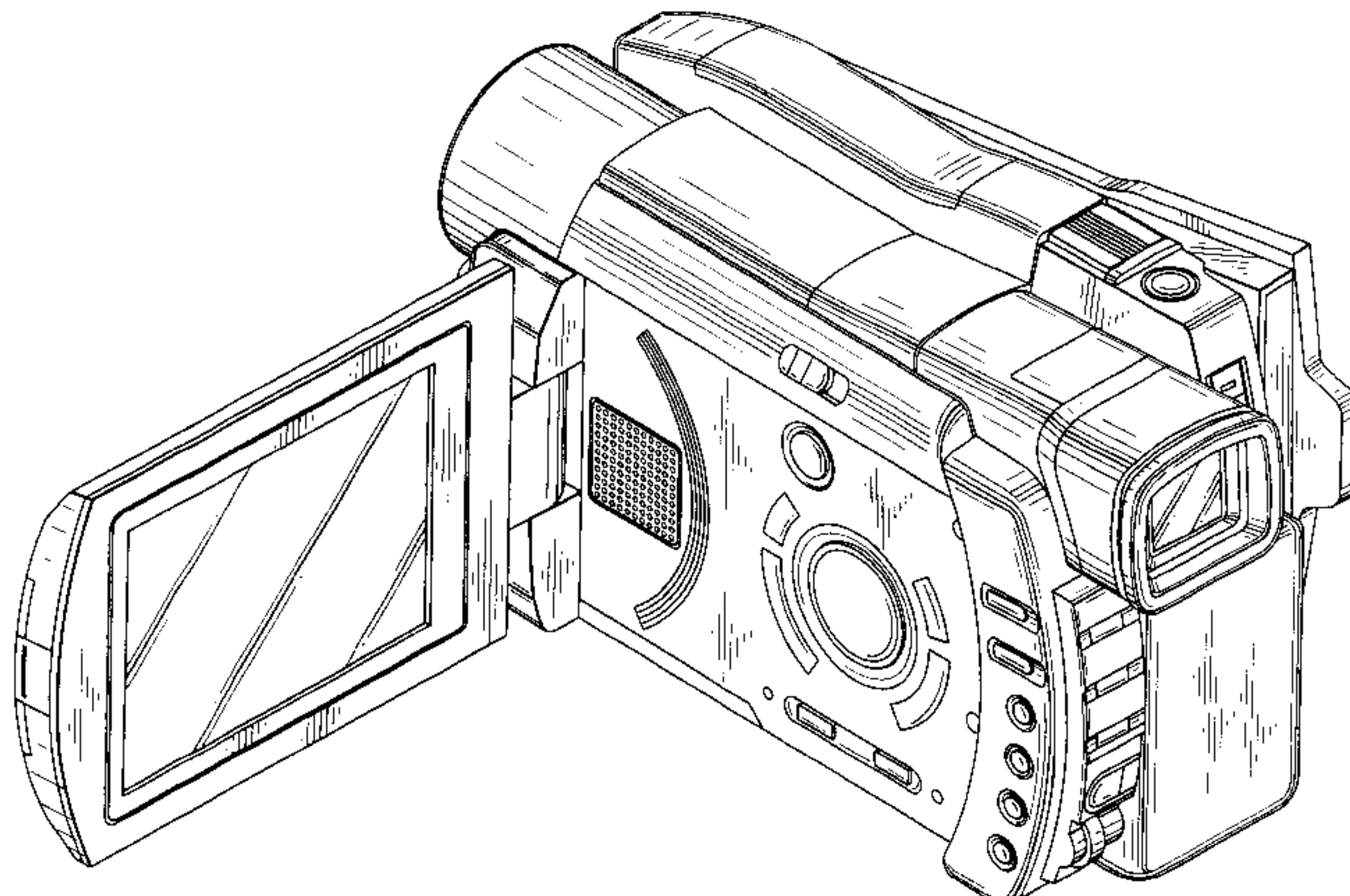
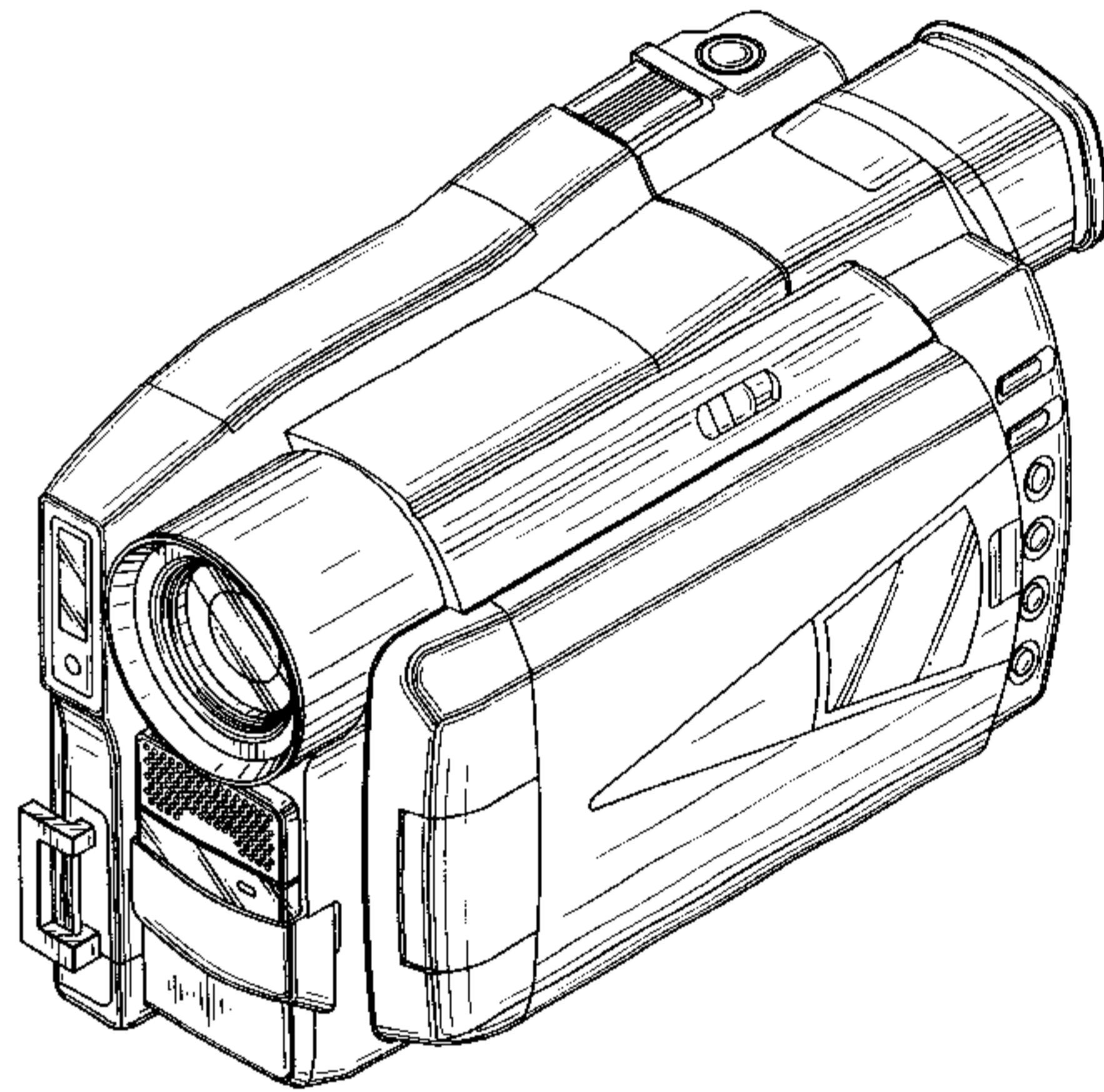


FIG. 1

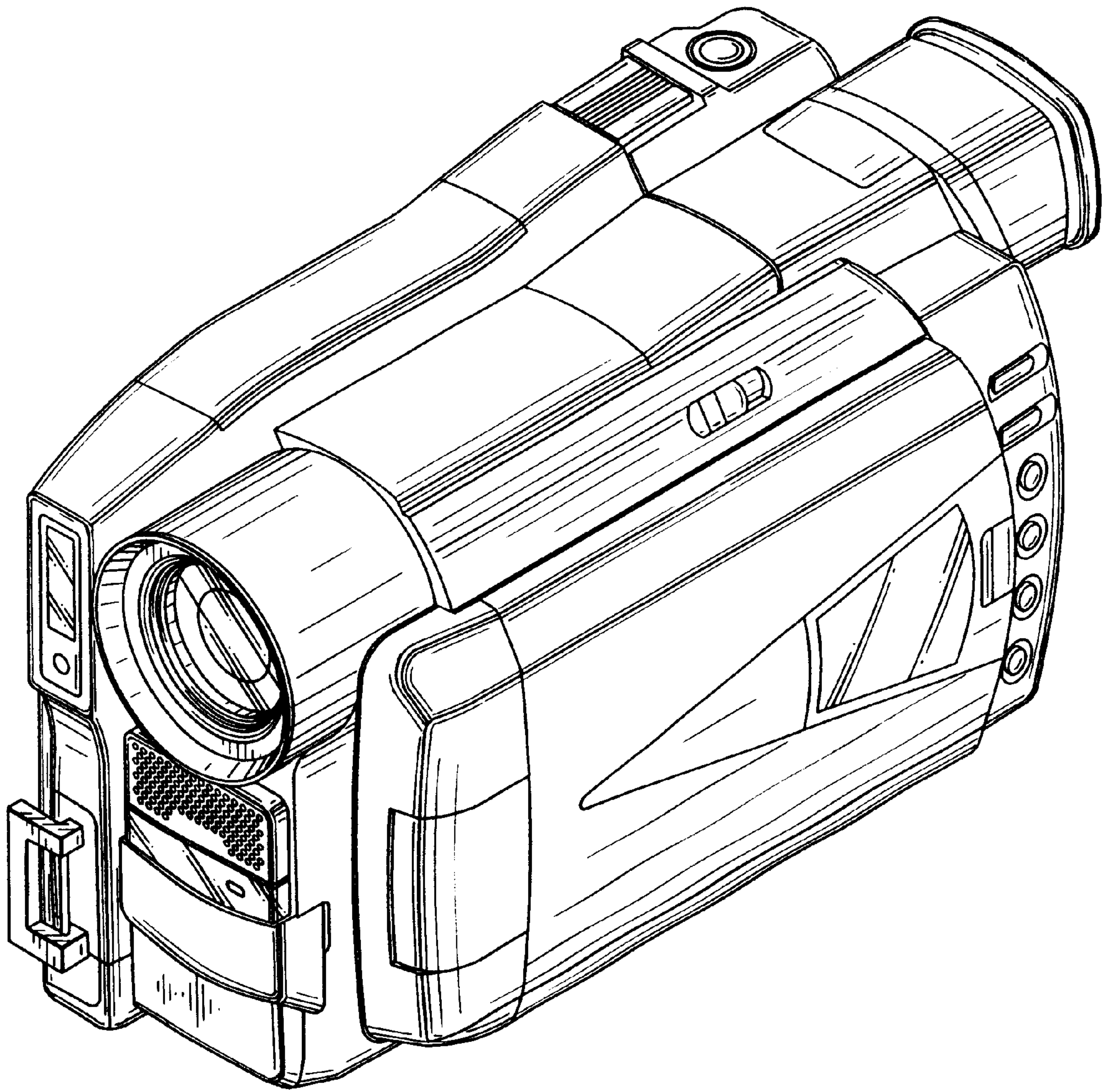


FIG. 2

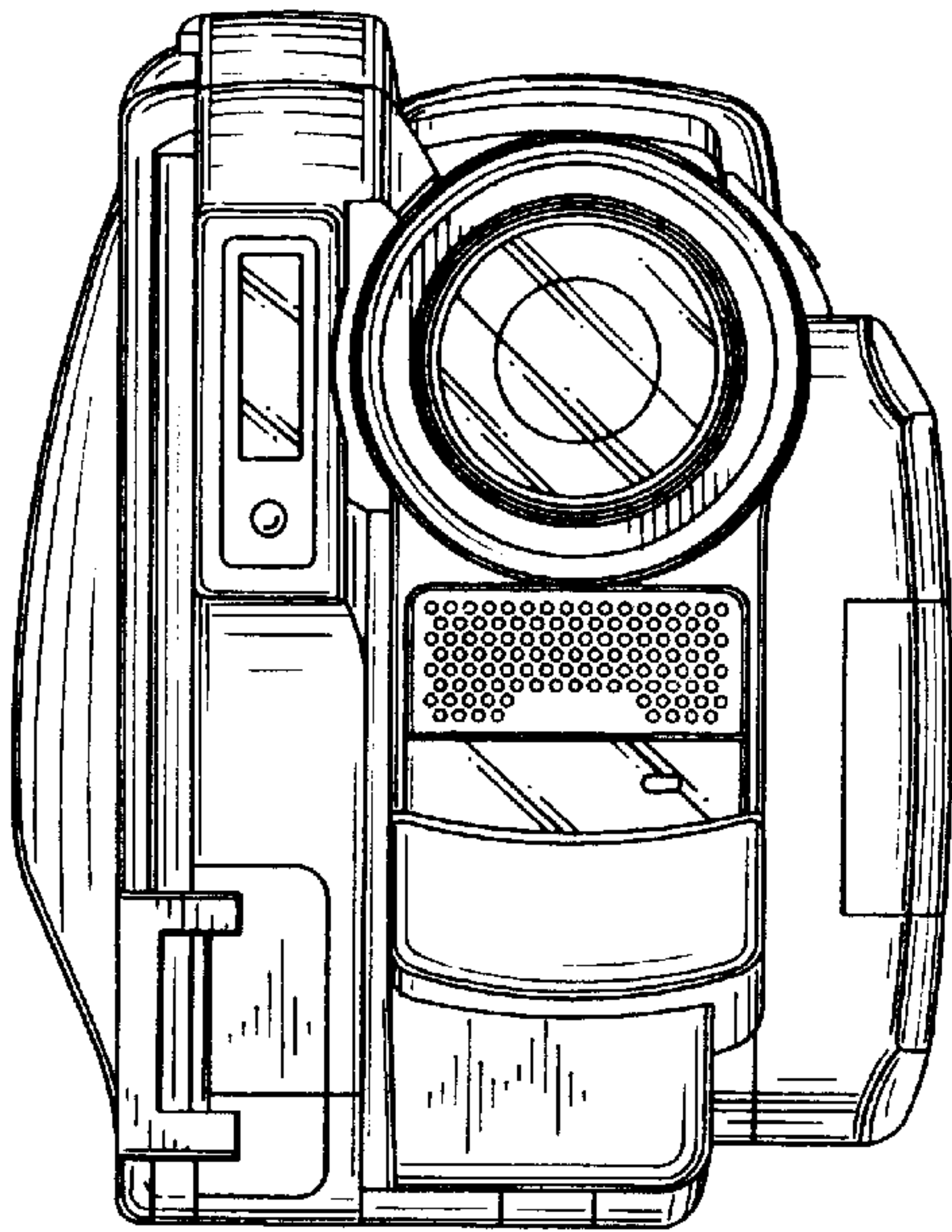


FIG. 3

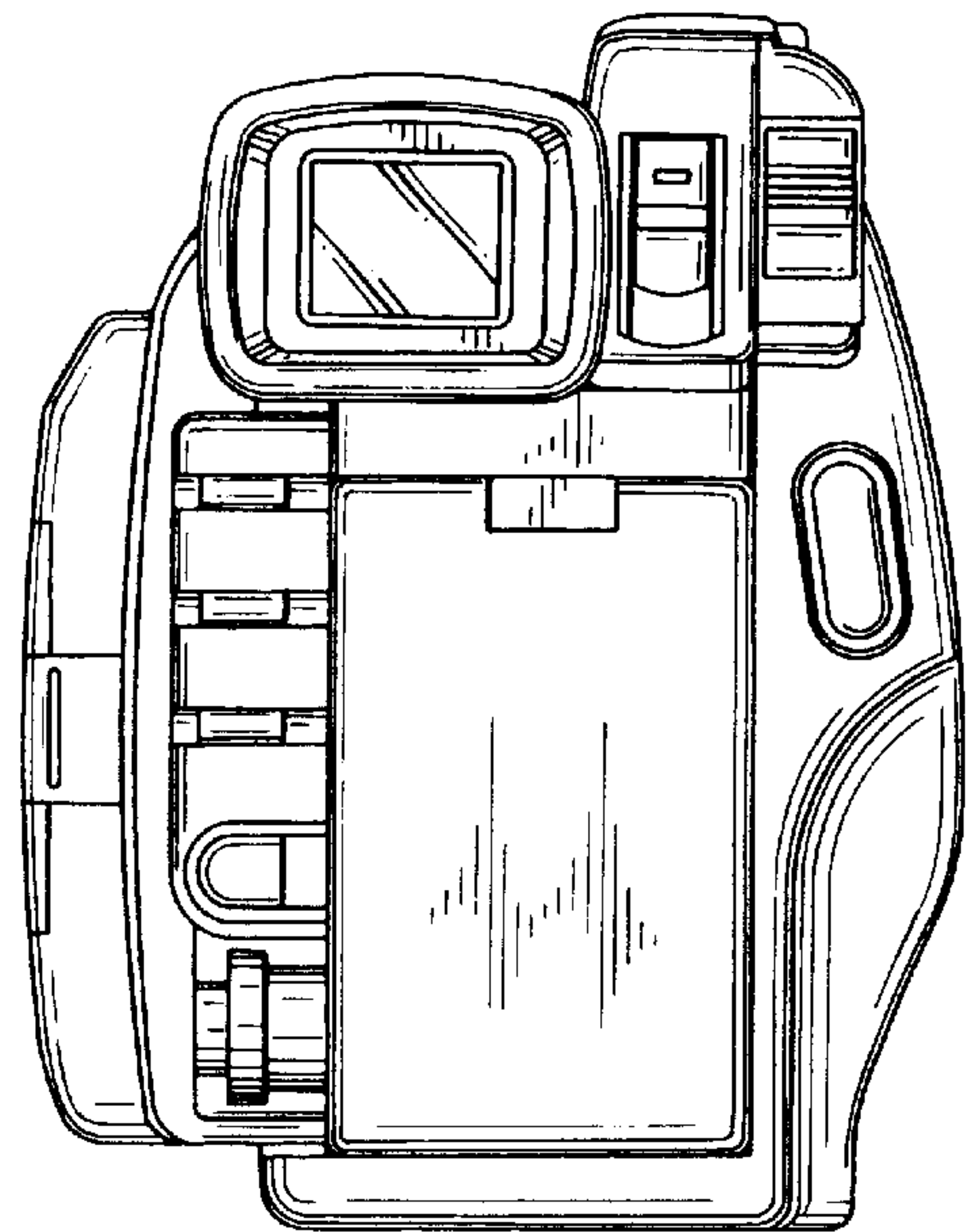


FIG. 4

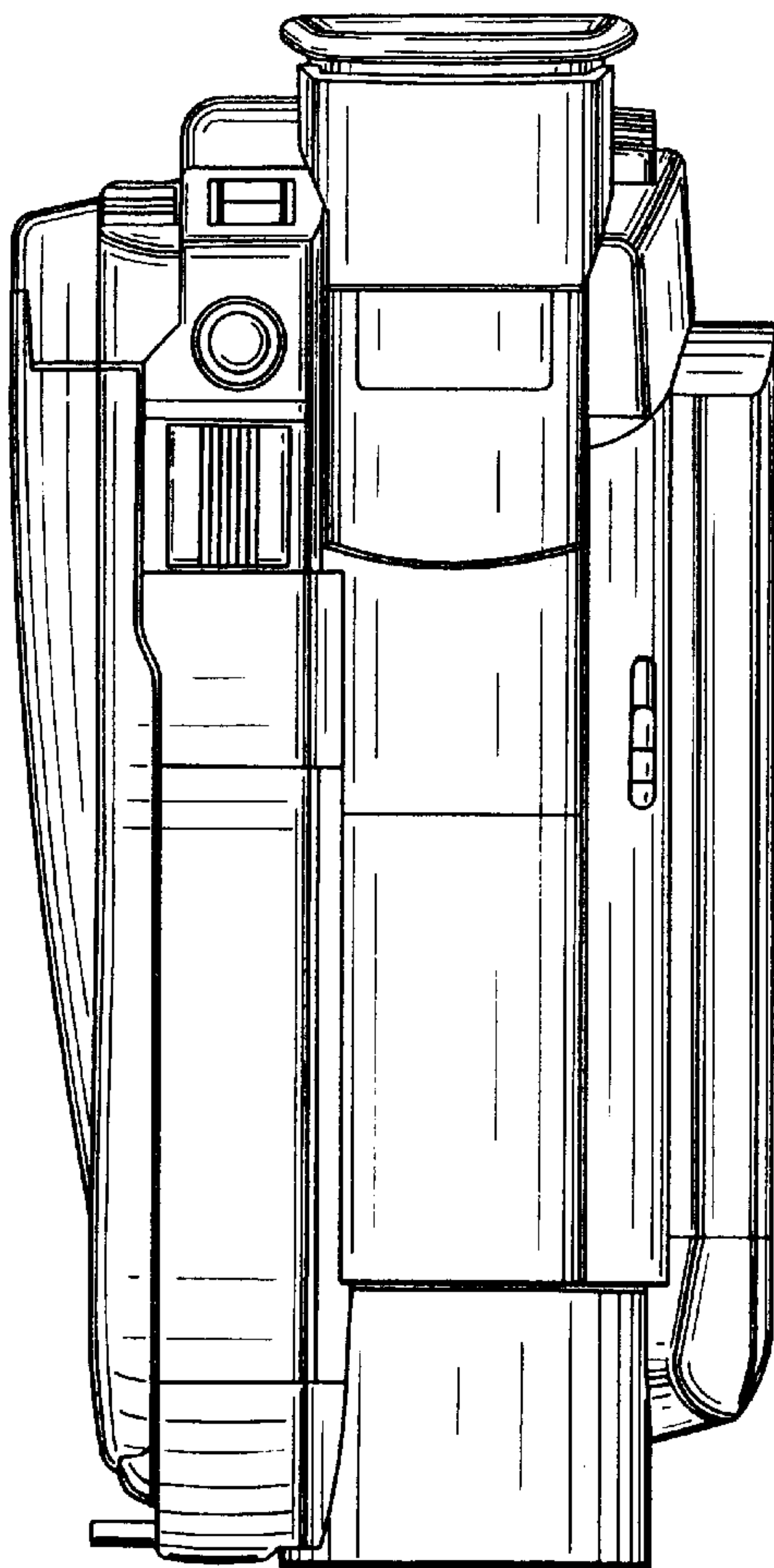


FIG. 5

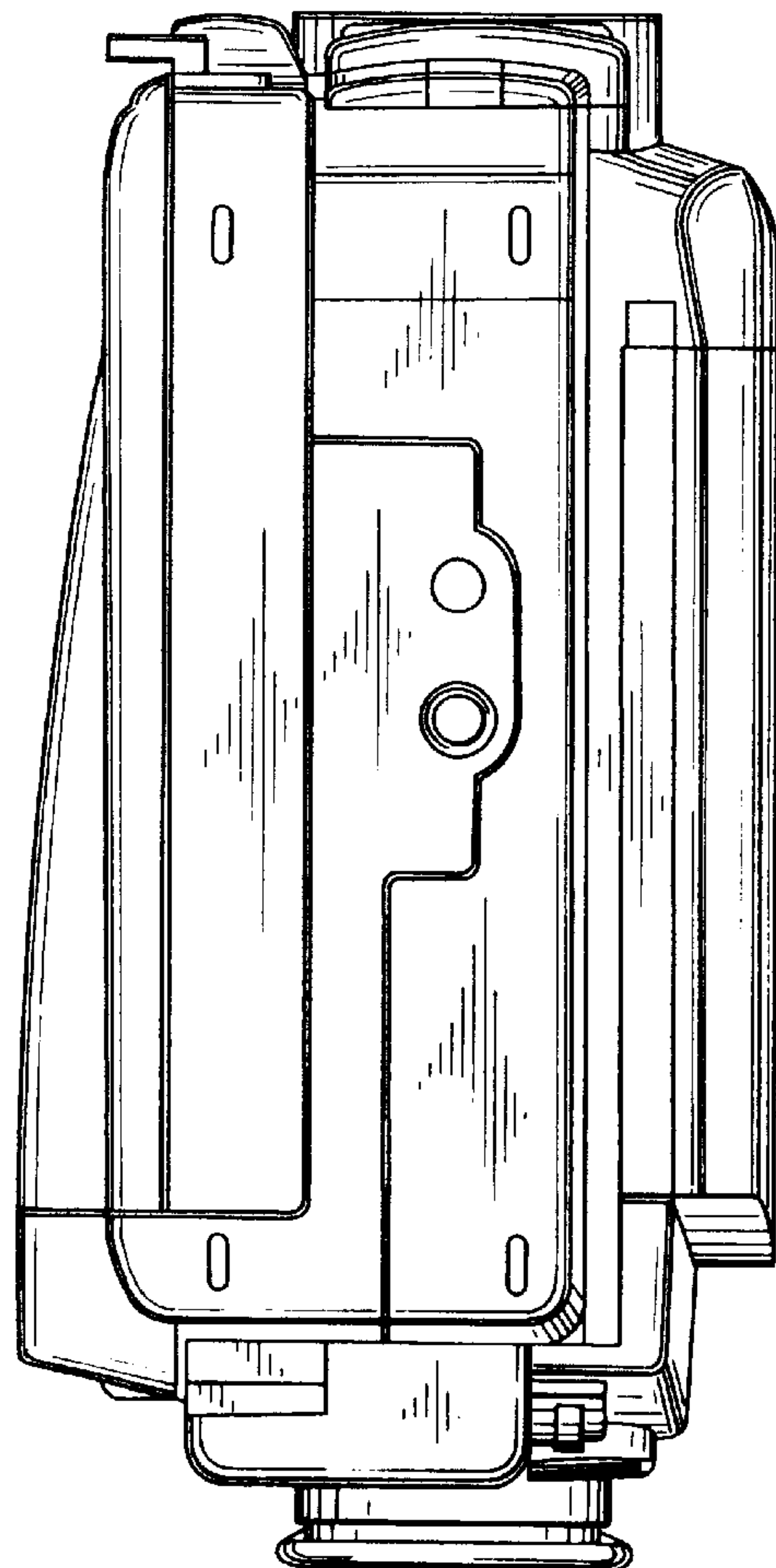


FIG. 6

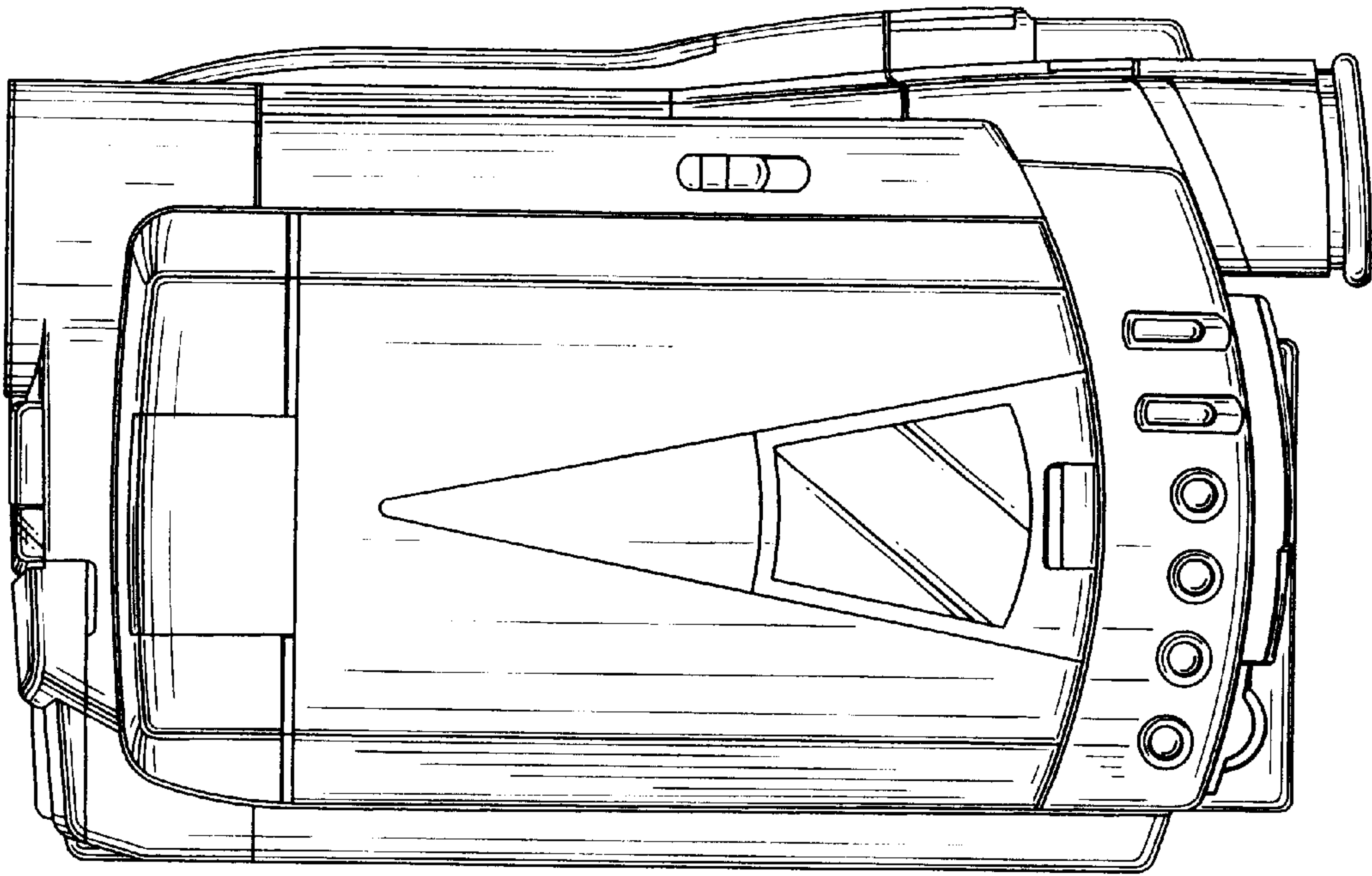


FIG. 7

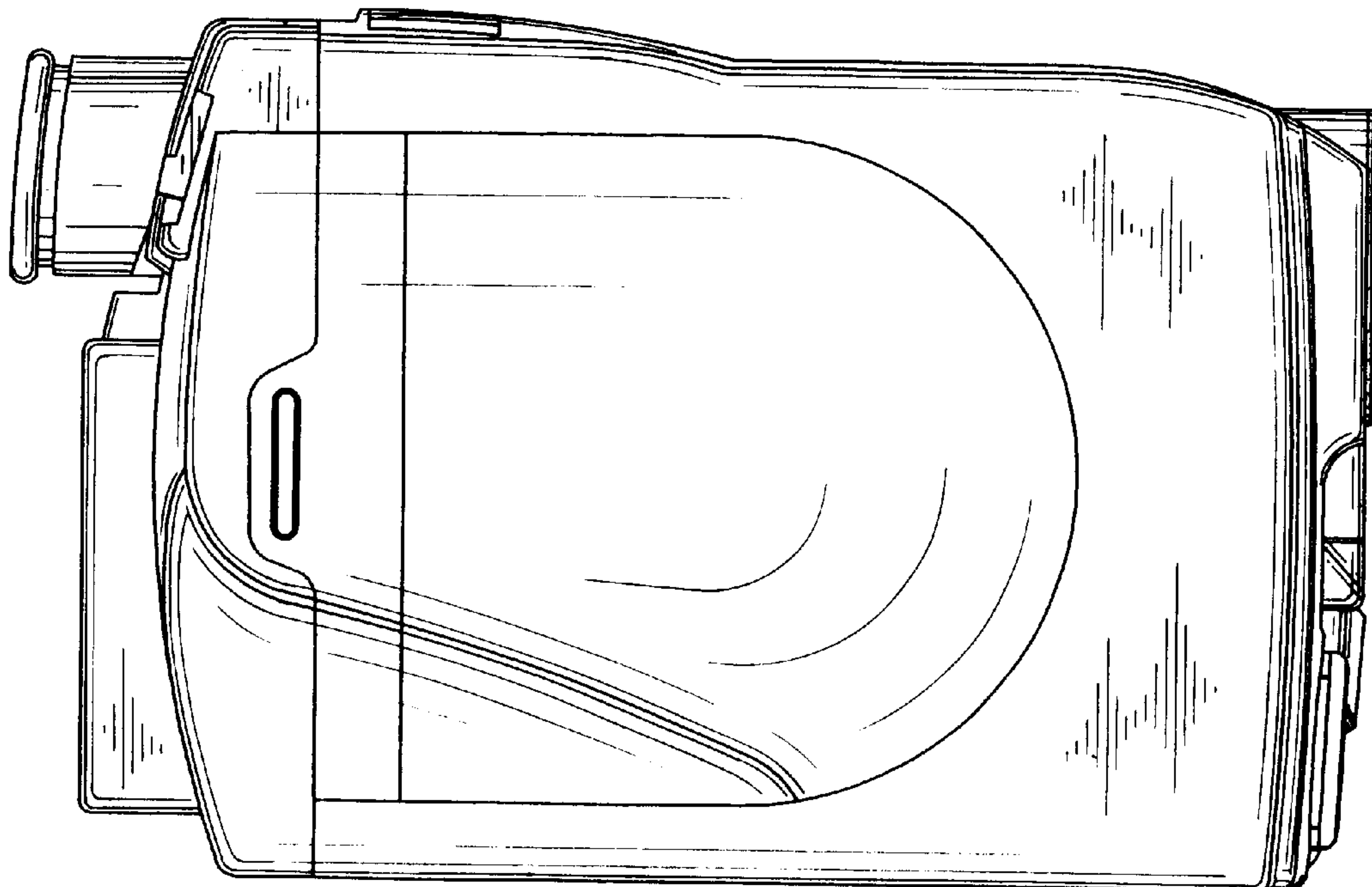


FIG. 8

