



US00D445813S

(12) **United States Design Patent**
Asaka et al.

(10) **Patent No.:** **US D445,813 S**
(45) **Date of Patent:** **** Jul. 31, 2001**

(54) **BODY OF MICROSCOPE**

5,450,233 * 9/1995 Yamamoto et al. 359/368

(75) Inventors: **Takeshi Asaka**, Tokyo; **Kouji Suzuki**,
Hino; **Kazuhiko Osa**, Hachioji, all of
(JP)

FOREIGN PATENT DOCUMENTS

9-22010 3/1995 (JP) .

(73) Assignee: **Olympus Optical Co., Ltd.**, Tokyo (JP)

* cited by examiner

(**) Term: **14 Years**

Primary Examiner—Paula A. Mortimer

(21) Appl. No.: **29/129,507**

(74) *Attorney, Agent, or Firm*—Hogan & Hartson, LLP

(22) Filed: **Sep. 15, 2000**

(57) **CLAIM**

(30) **Foreign Application Priority Data**

The ornamental design for a body of microscope, as shown and described.

Mar. 16, 2000 (JP) 12-005881

DESCRIPTION

(51) **LOC (7) Cl.** **16-06**

FIG. 1 is a front, top and right side perspective view of a body of microscope, showing our new design;

(52) **U.S. Cl.** **D16/131; D16/136**

FIG. 2 is a front elevational view thereof;

(58) **Field of Search** D16/130, 131,

FIG. 3 is a top plan view thereof;

D16/134, 136; 359/368, 381, 382, 383,
384, 385, 388, 393

FIG. 4 is a right side elevational view thereof;

FIG. 5 is a rear elevational view thereof;

(56) **References Cited**

U.S. PATENT DOCUMENTS

D. 195,998 * 8/1963 Auböck D16/131

FIG. 6 is a left side elevational view thereof;

D. 252,276 * 7/1979 Griffith D16/131

FIG. 7 is a bottom plan view thereof; and,

D. 253,059 * 10/1979 Speaker D16/131

FIG. 8 is a reference perspective view thereof, showing the state of use.

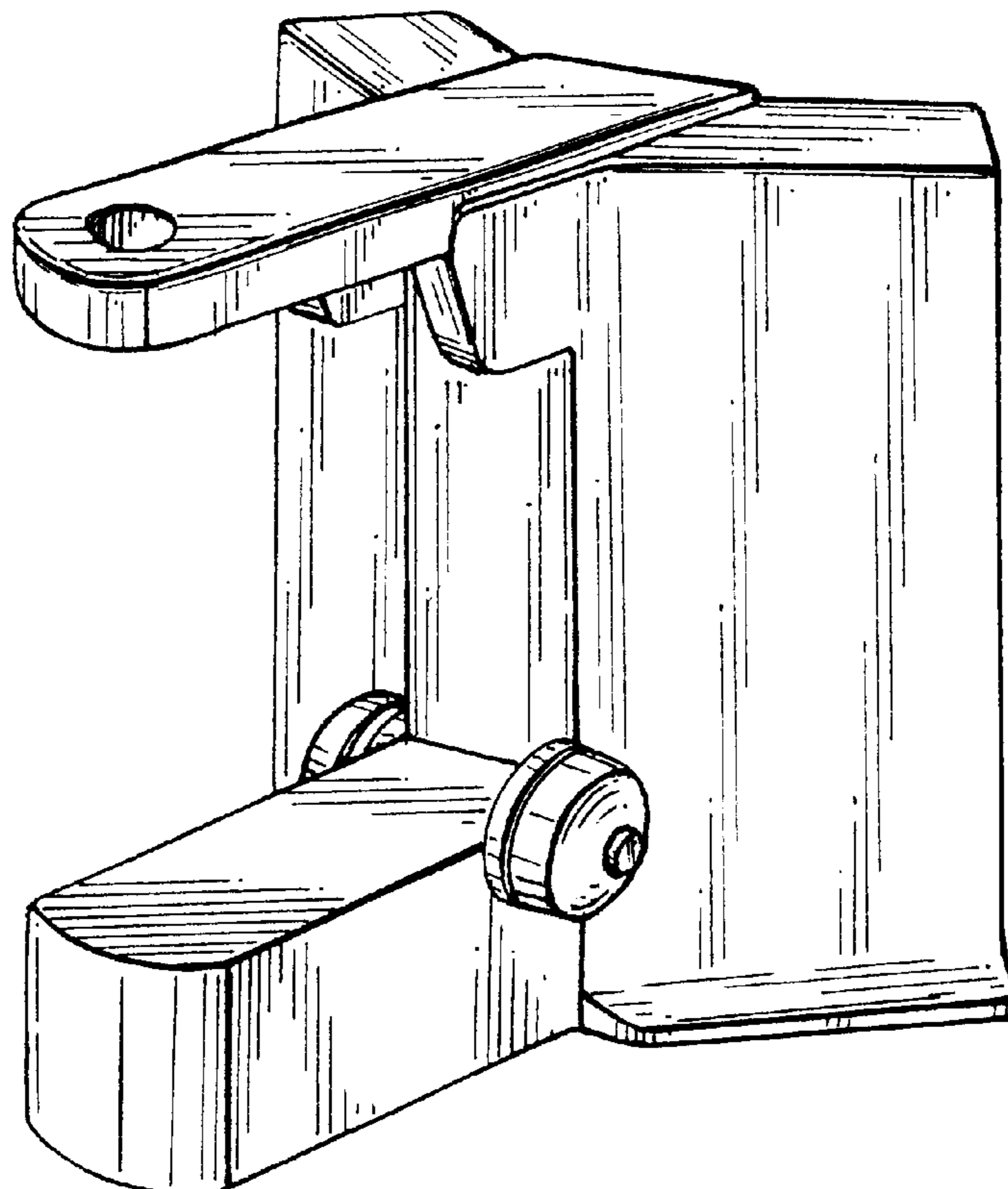
D. 291,702 * 9/1987 Kahute D16/131

The broken line showing of the microscope in FIG. 8 is for illustrative purposes only and forms no part of the claimed design.

D. 417,682 * 12/1999 Goff et al. D16/136

D. 419,168 * 1/2000 Franks et al. D16/131

1 Claim, 3 Drawing Sheets



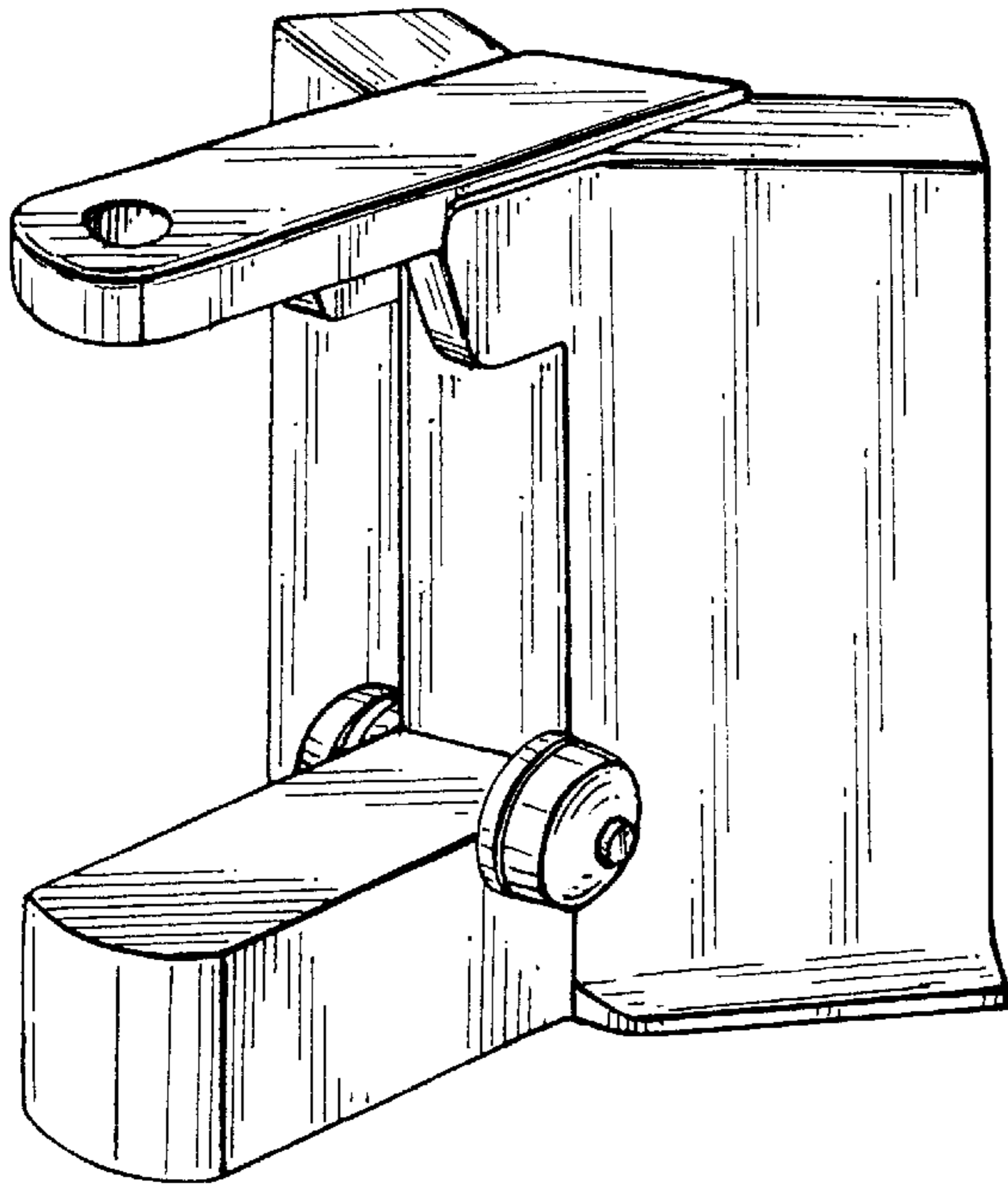


FIG. 1

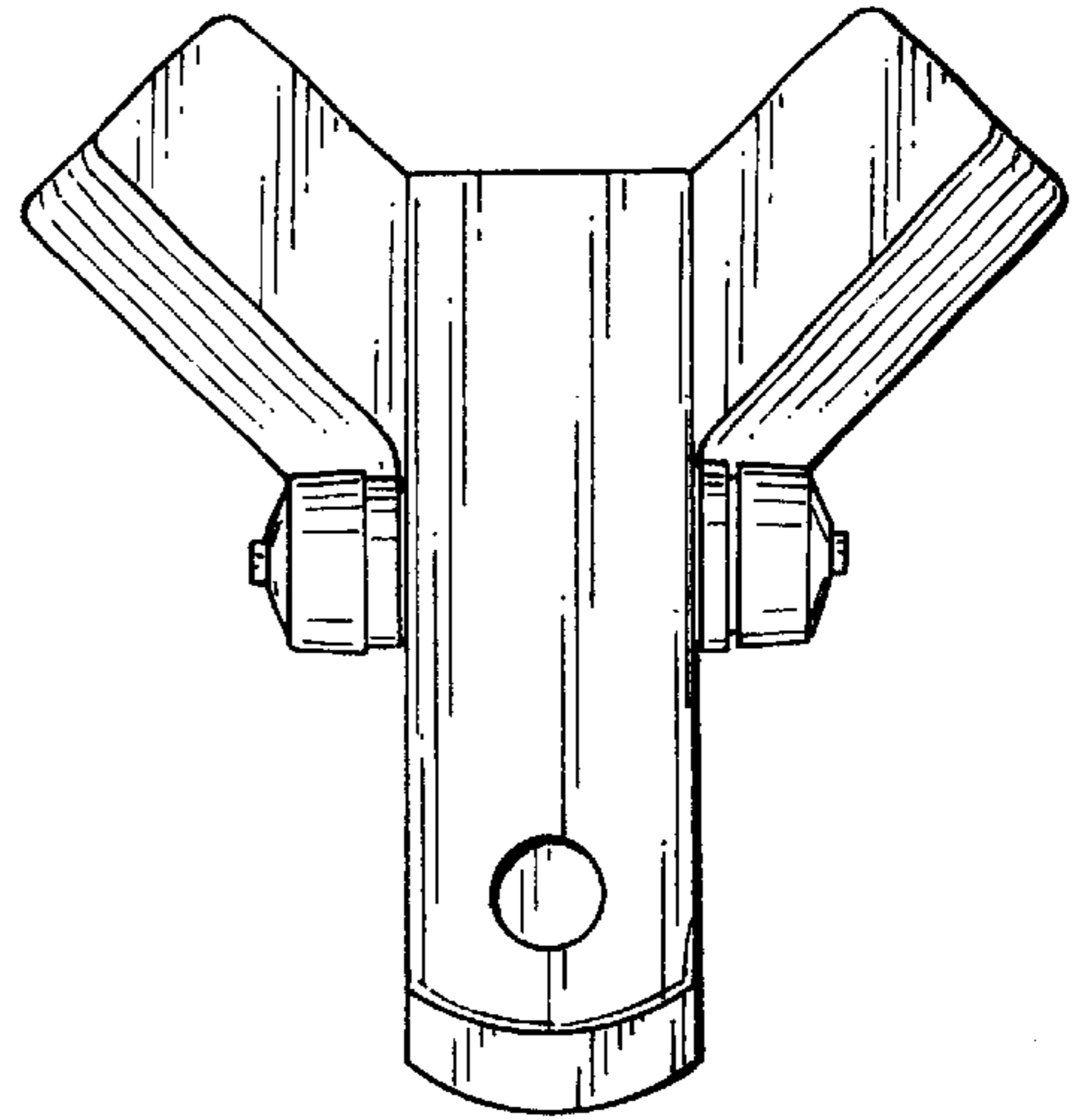


FIG. 3

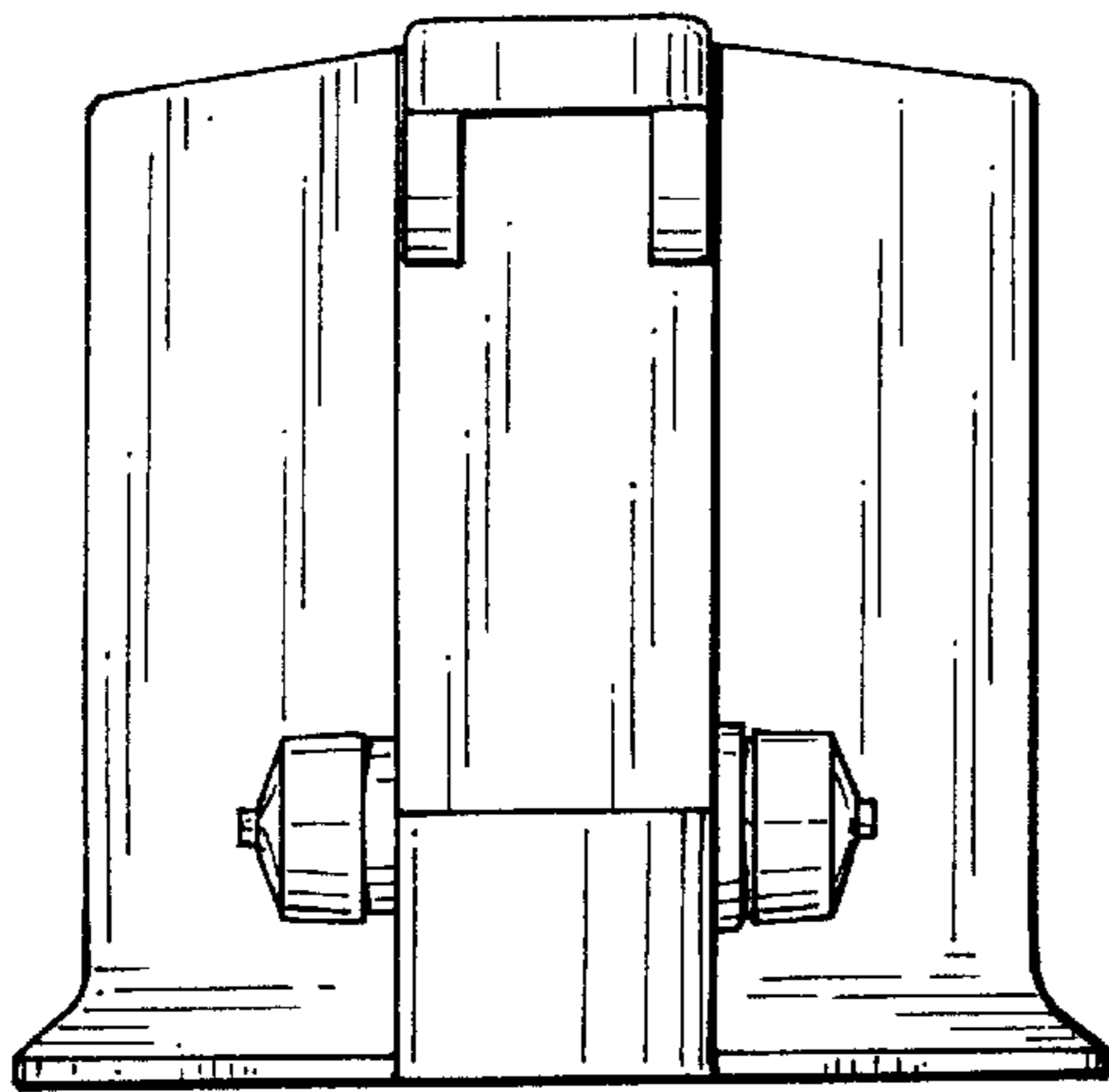


FIG. 2

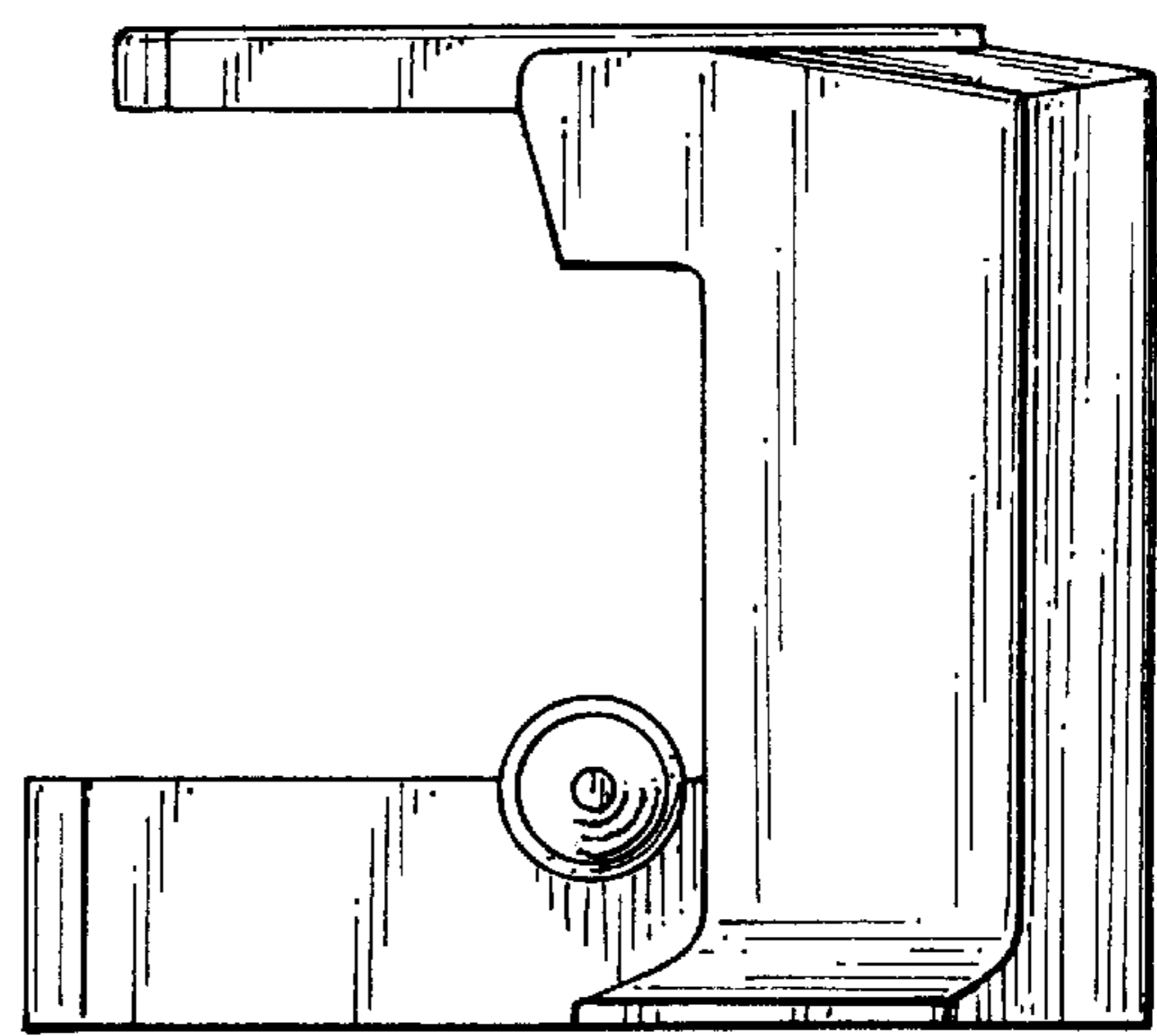


FIG. 4

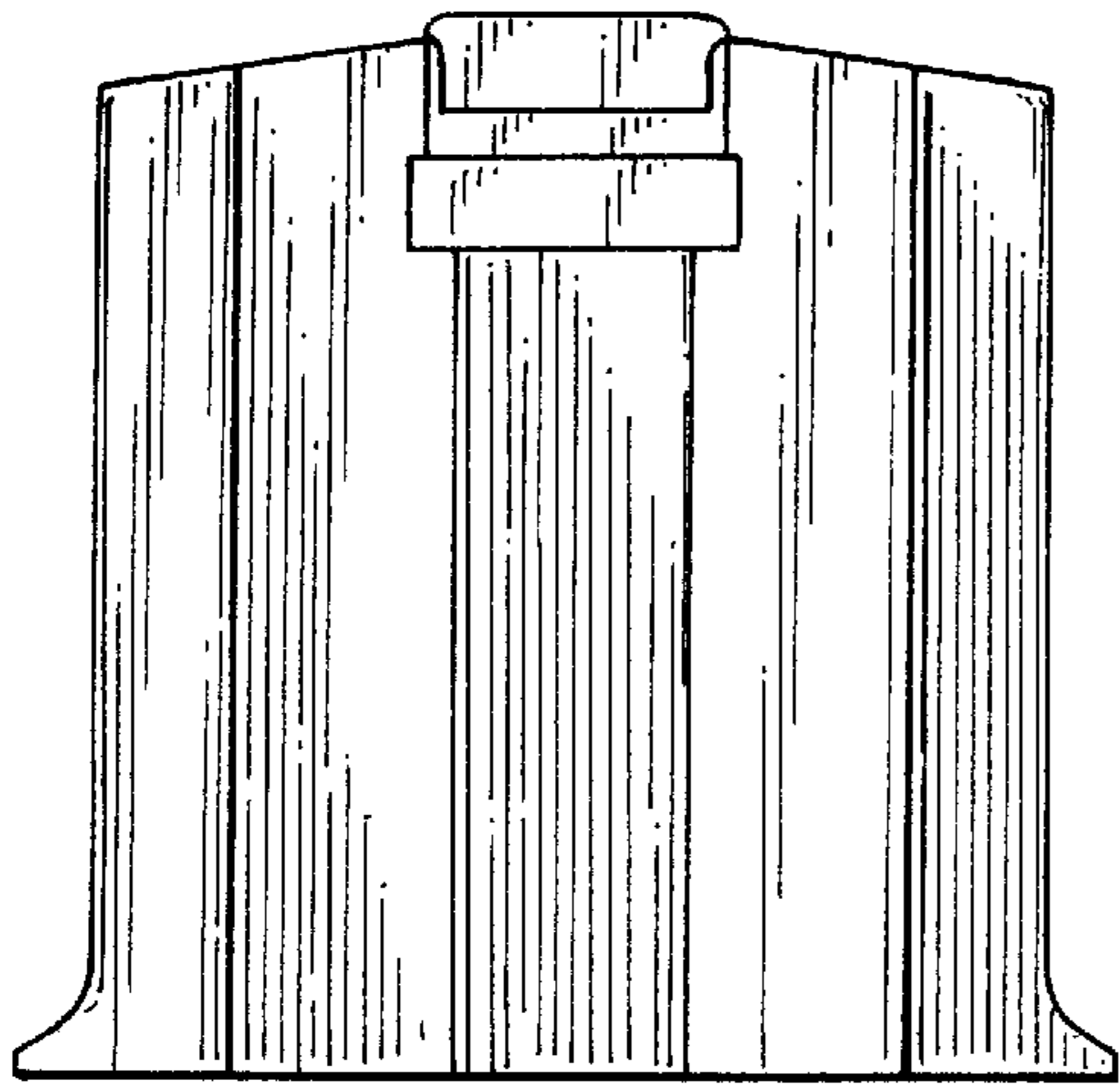


FIG. 5

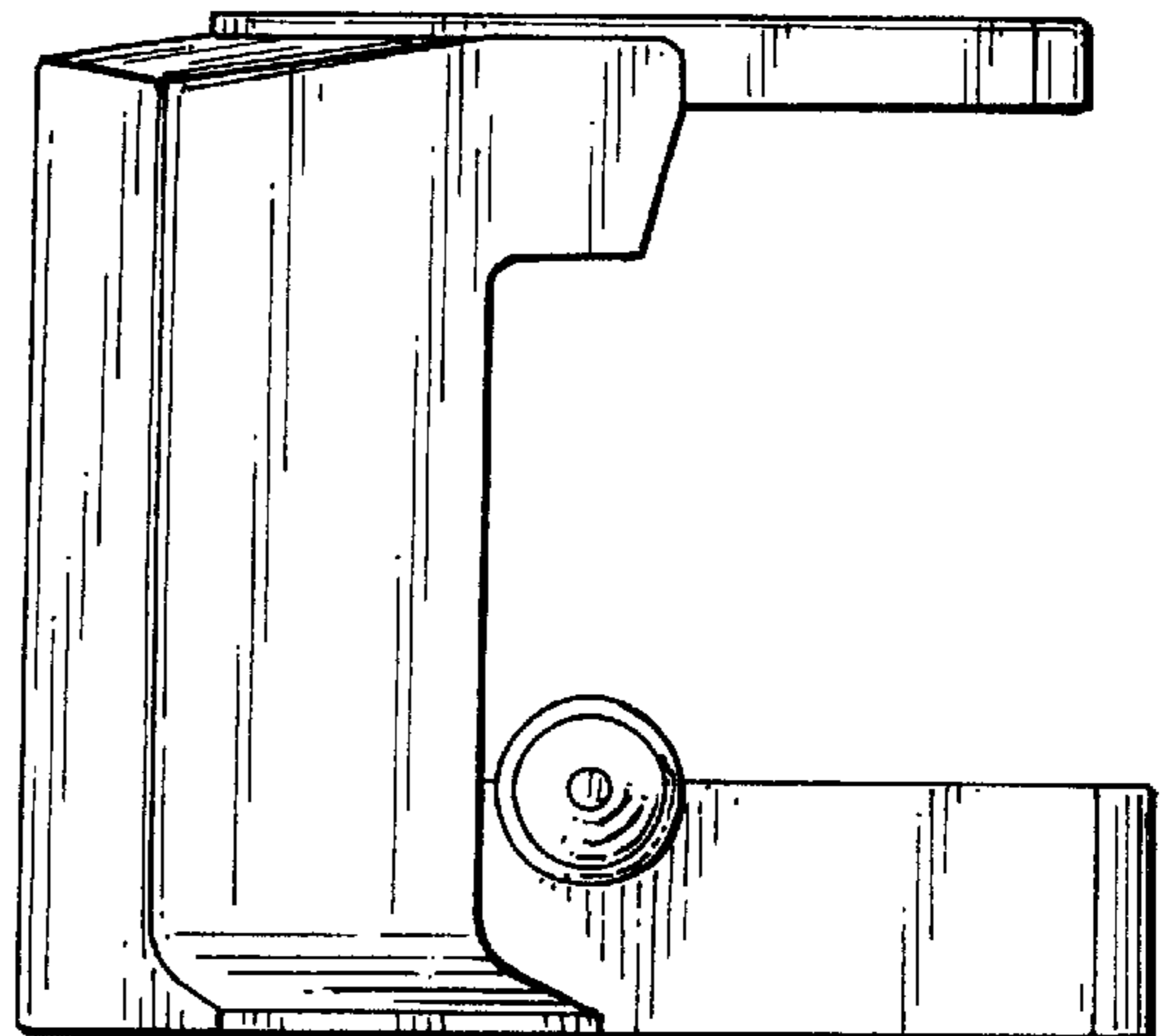


FIG. 6

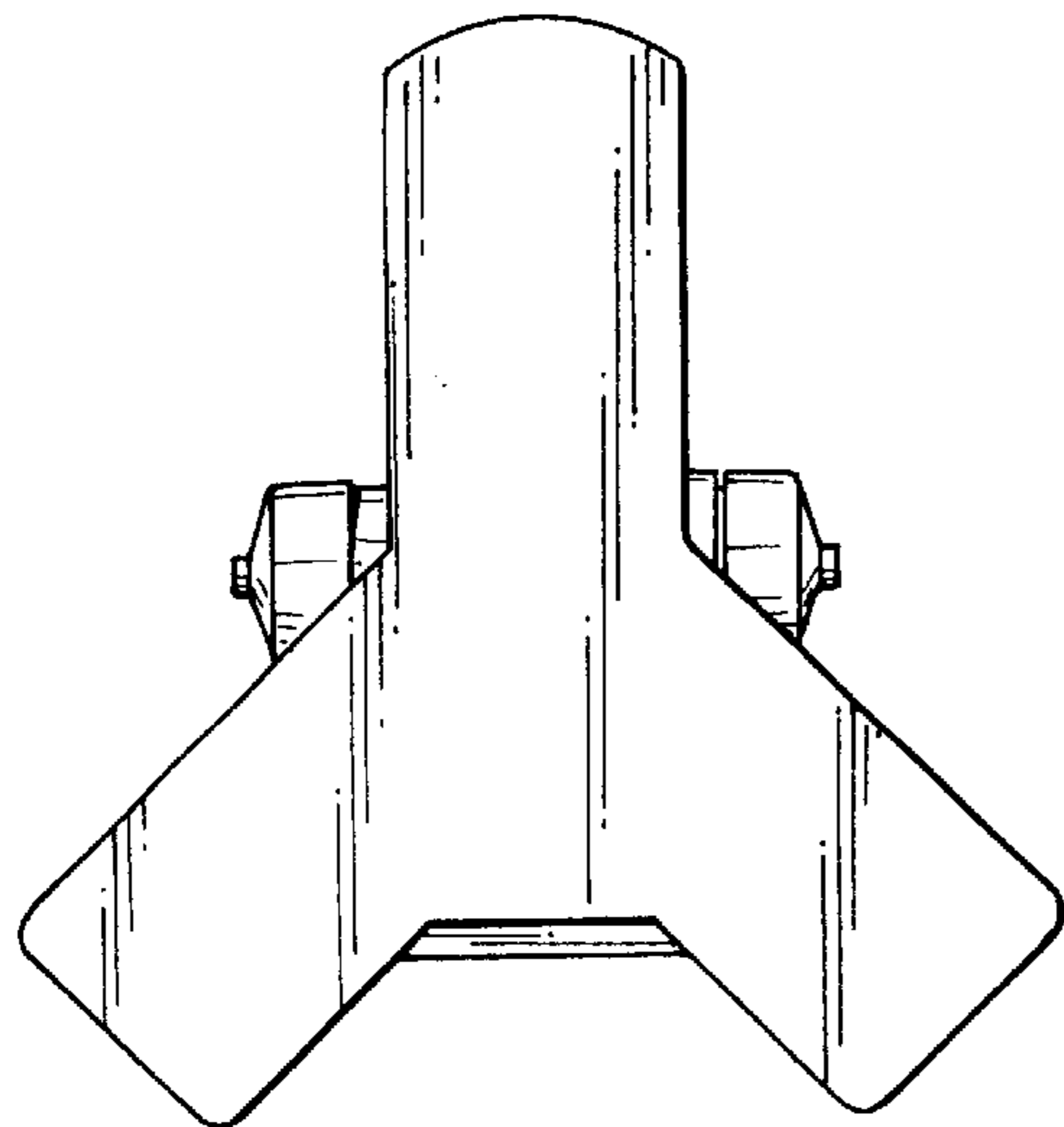


FIG. 7

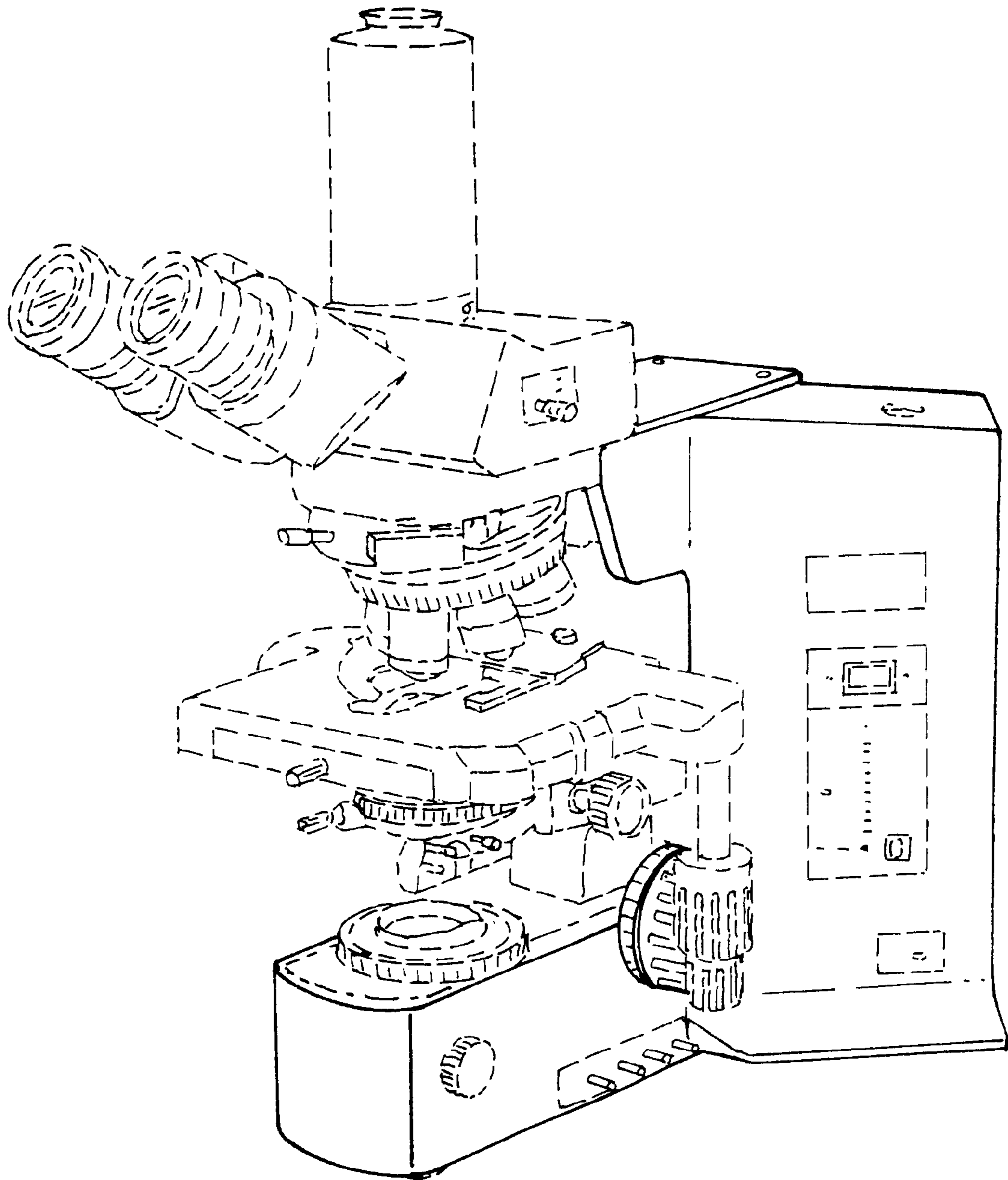


FIG. 8