



US00D445812S

(12) **United States Design Patent**
Shimizu et al.

(10) **Patent No.:** **US D445,812 S**

(45) **Date of Patent:** **** Jul. 31, 2001**

(54) **WELDING MACHINE**

D. 416,030 11/1999 Weller .
4,628,176 * 12/1986 Kojima et al. 219/110

(75) Inventors: **Masaki Shimizu**, Osaka; **Akihiko Kitajima**, Hyogo; **Norikazu Osaki**, Nara; **Koji Hamamoto**, Hyogo; **Yoshiyuki Tabata**, Hyogo; **Tsutomu Naito**, Hyogo, all of (JP)

FOREIGN PATENT DOCUMENTS

519738 1/1981 (JP) .
638870 11/1984 (JP) .
847609 9/1992 (JP) .

(73) Assignee: **Matsushita Electric Industrial Co., Ltd.**, Osaka (JP)

* cited by examiner

Primary Examiner—Antoine Duval Davis
(74) *Attorney, Agent, or Firm*—Christensen O'Connor Johnson Kindness PLLC

(**) Term: **14 Years**

(21) Appl. No.: **29/130,582**

(57) **CLAIM**

(22) Filed: **Oct. 2, 2000**

The ornamental design for a welding machine, as shown and described.

(30) **Foreign Application Priority Data**

Apr. 6, 2000 (JP) 12-008919

DESCRIPTION

(51) **LOC (7) Cl.** **15-09**

FIG. 1 is a perspective view of the top, front and right side of a welding machine showing our new design;
FIG. 2 is a top plan view thereof;
FIG. 3 is a front view thereof;
FIG. 4 is a right side view thereof;
FIG. 5 is a left side view thereof;
FIG. 6 is a rear view thereof; and,
FIG. 7 is a bottom view thereof.

(52) **U.S. Cl.** **D15/144**

(58) **Field of Search** D15/144, 144.1,
D15/144.2; 219/69.11, 69.14, 69.16, 130.1-136;
228/1.1, 44.7, 56.5

(56) **References Cited**

U.S. PATENT DOCUMENTS

D. 212,536 * 10/1968 Diamond D15/144.1

1 Claim, 4 Drawing Sheets

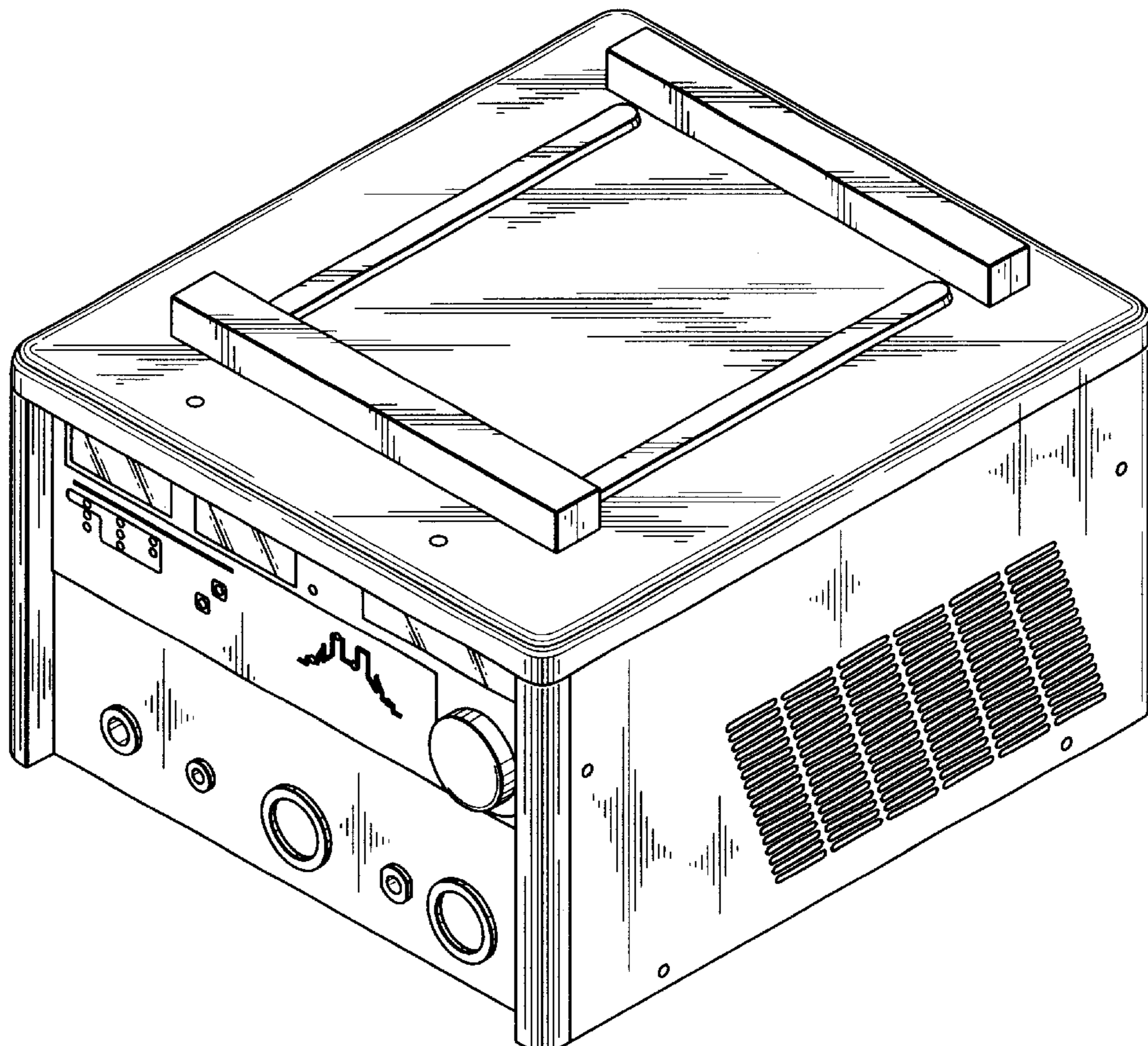


FIG. 1

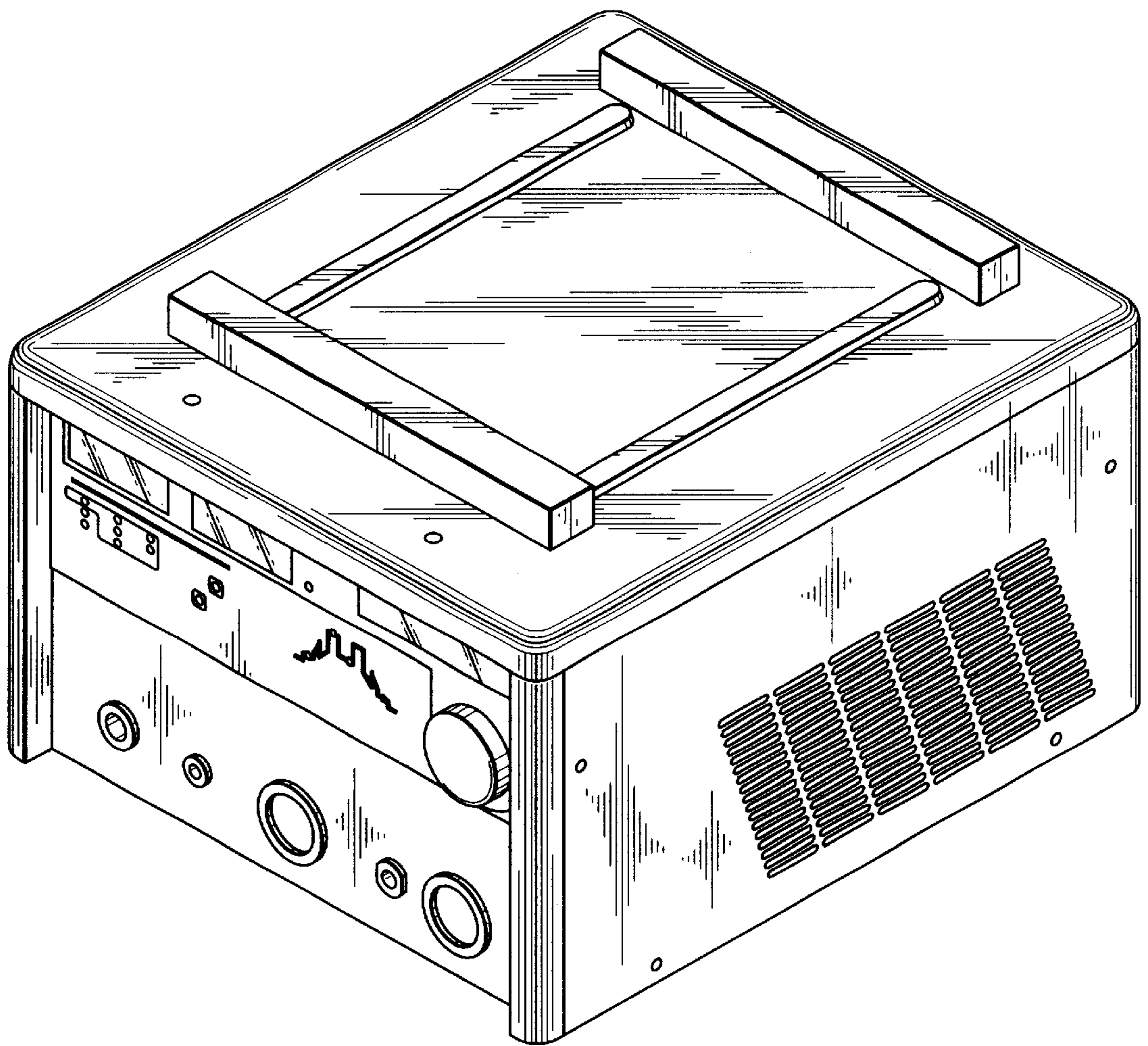


FIG. 2

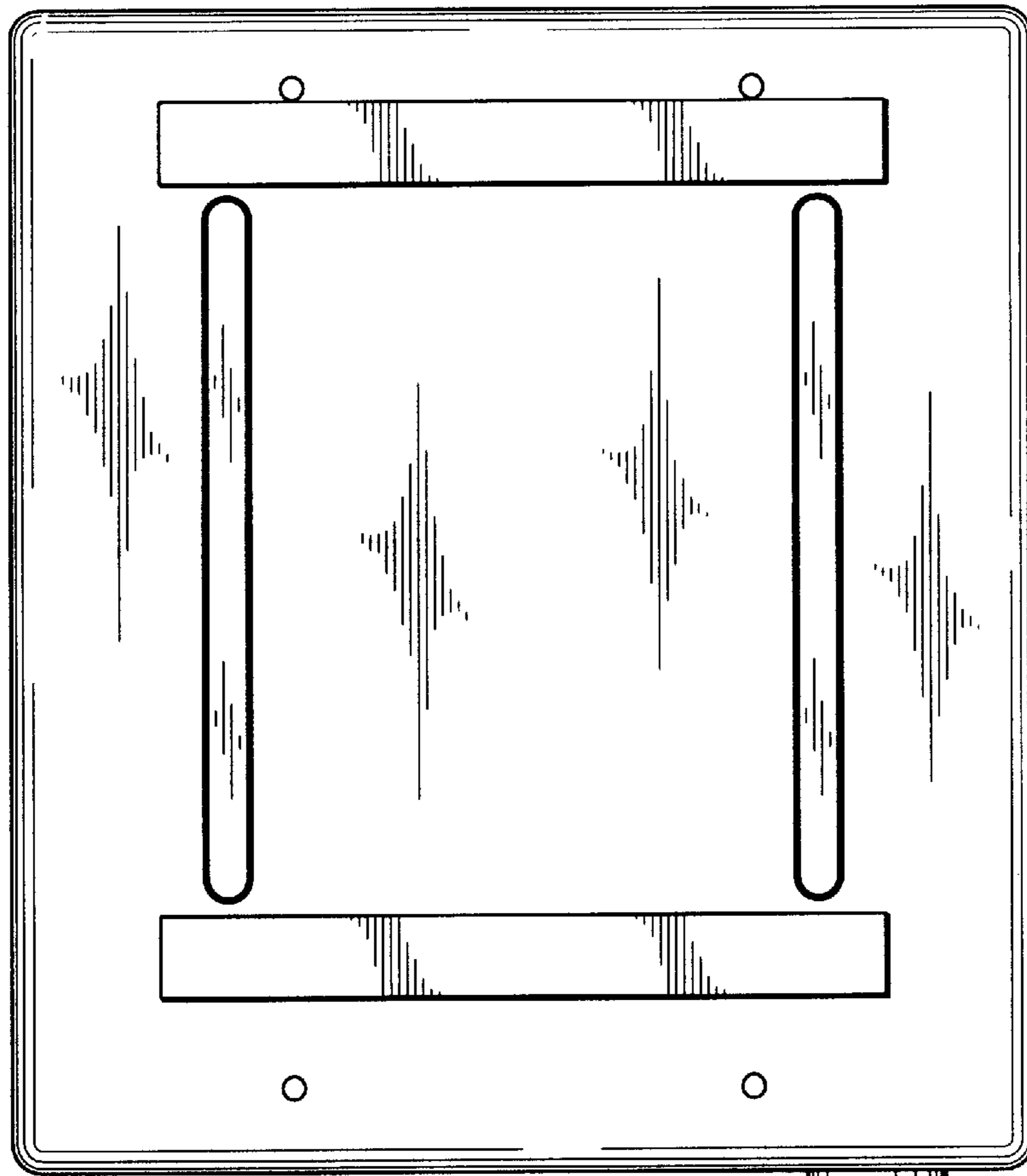


FIG. 3

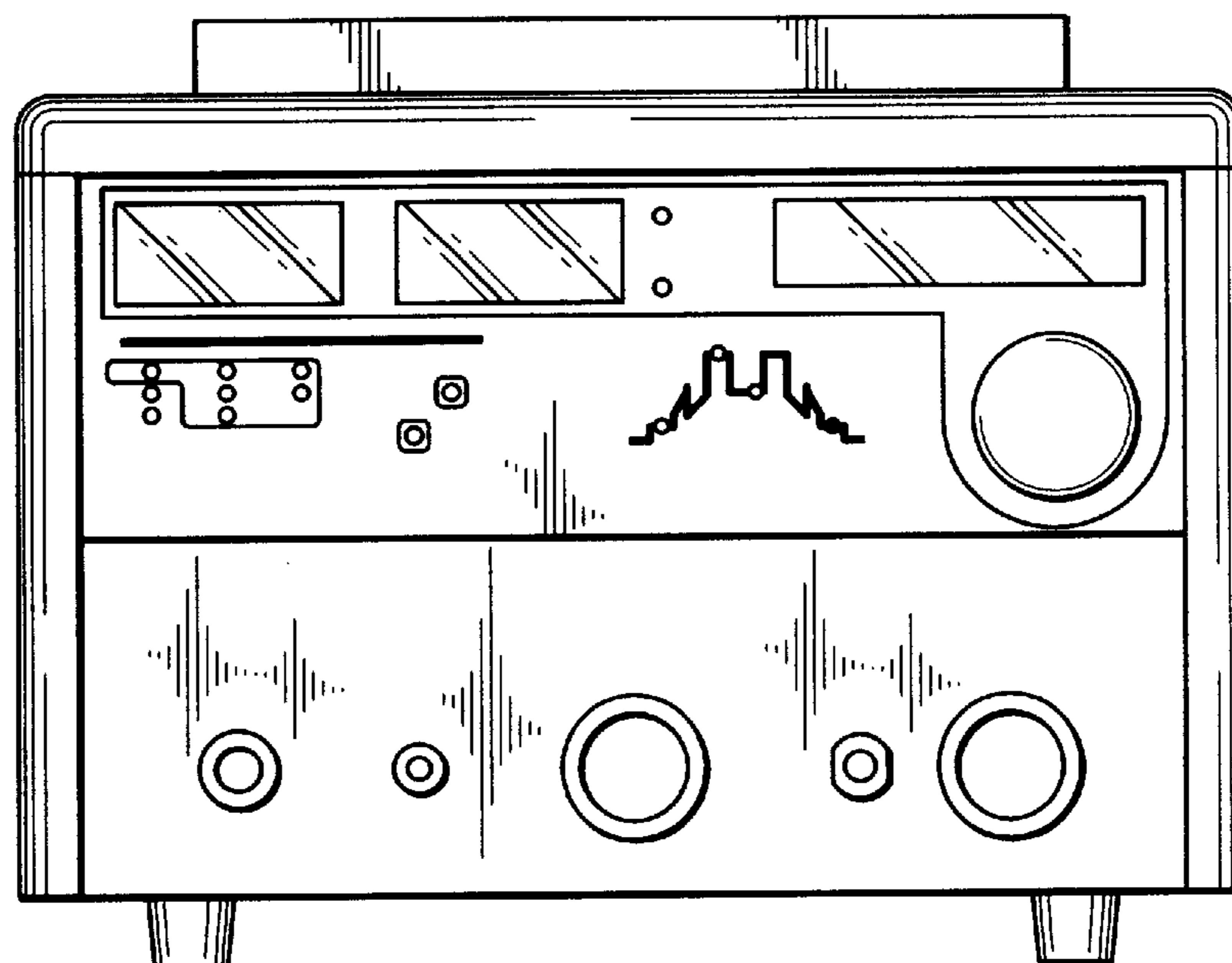


FIG. 4

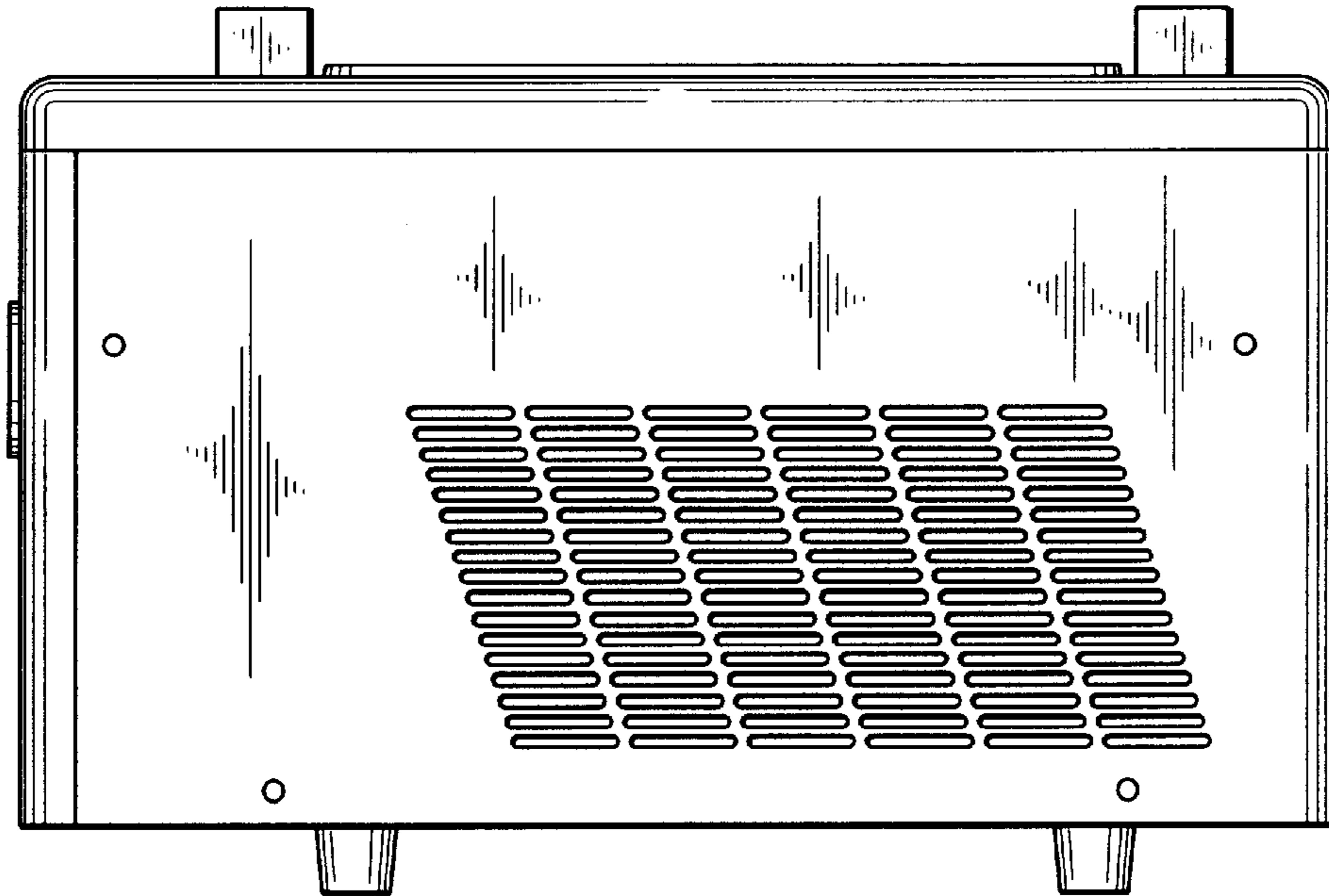


FIG. 5

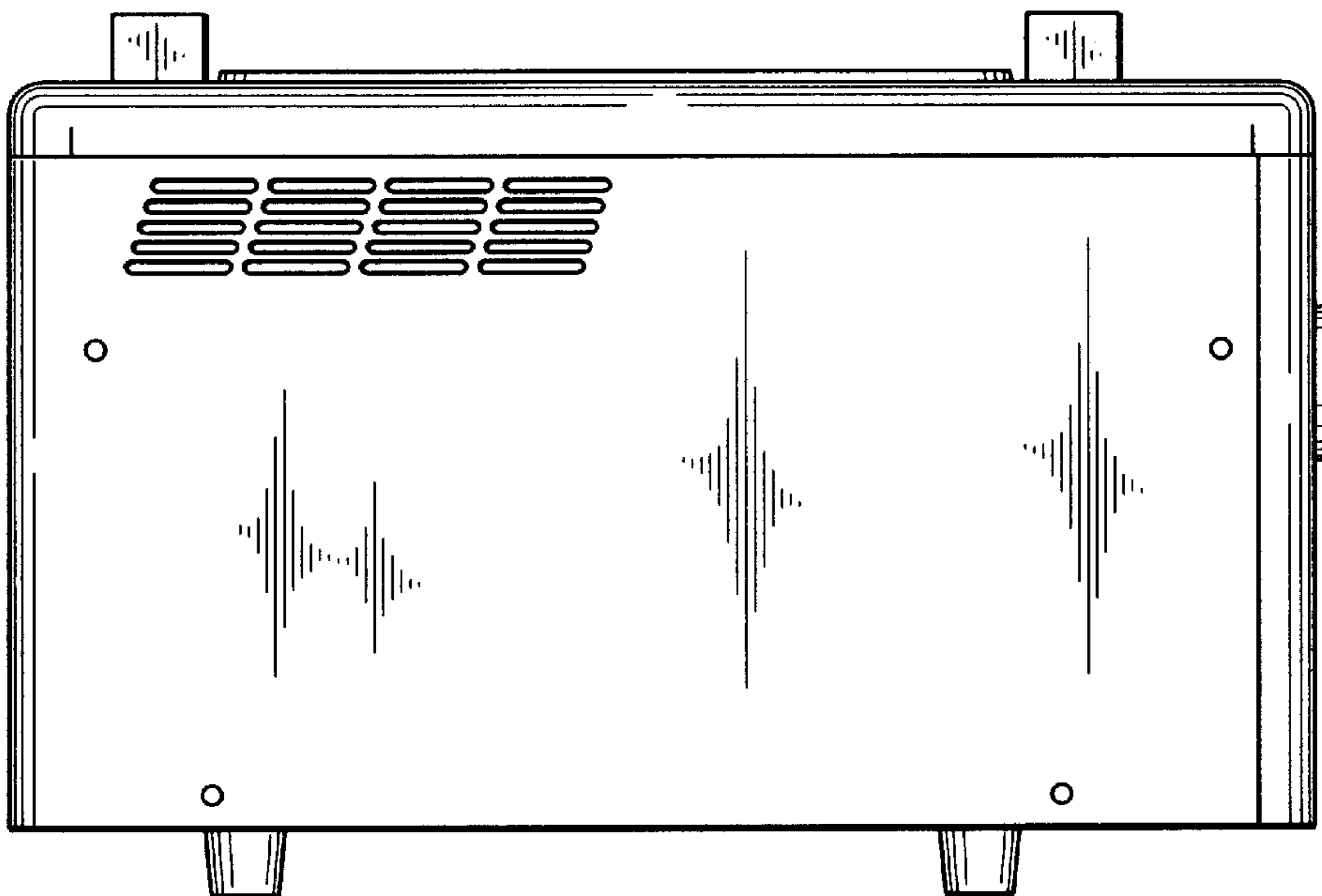


FIG. 6

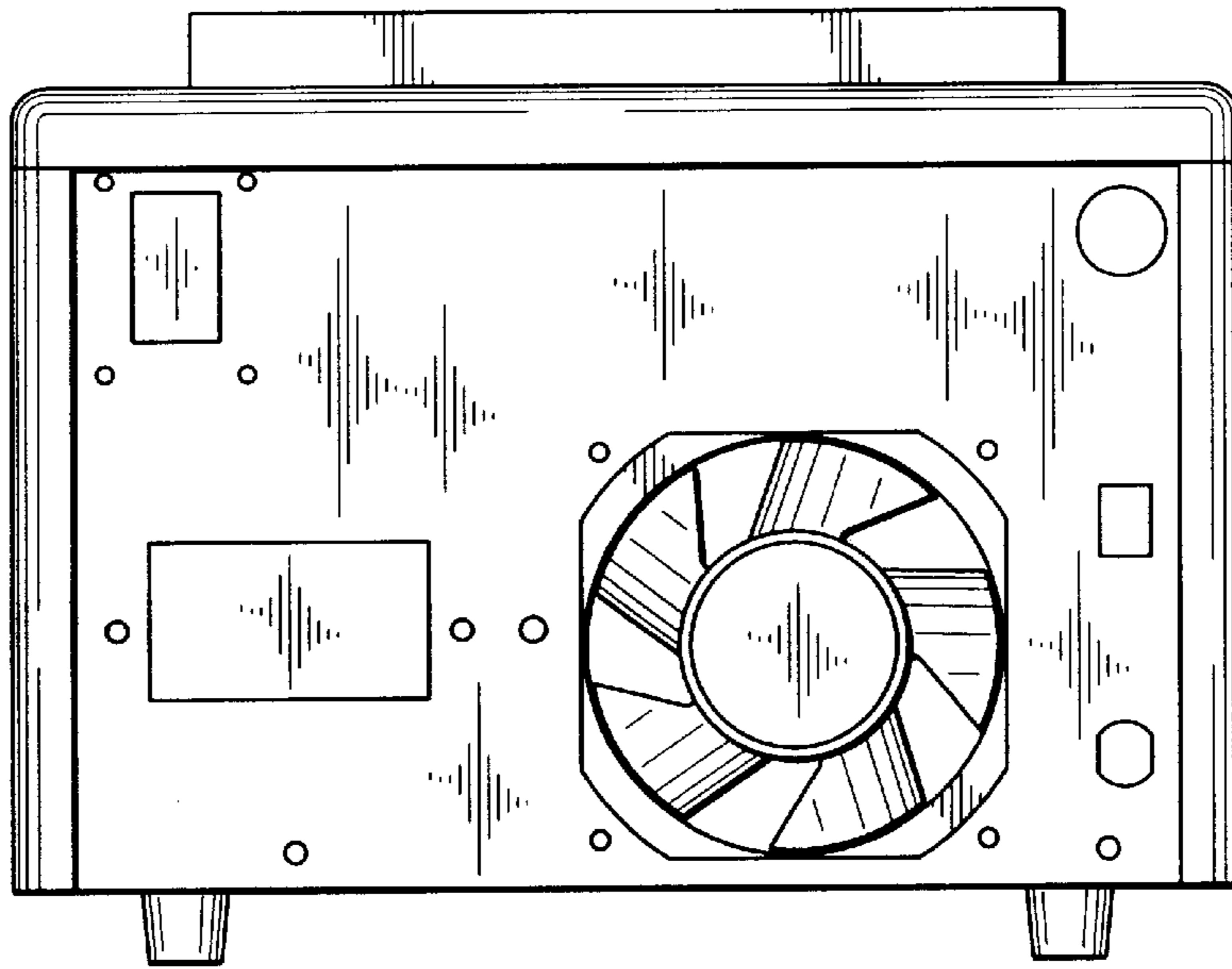


FIG. 7

