



US00D445811S

(12) **United States Design Patent**  
**Alexander, IV**

(10) **Patent No.:** **US D445,811 S**

(45) **Date of Patent:** **\*\* Jul. 31, 2001**

(54) **CUTTING TOOL INSERT**

**FOREIGN PATENT DOCUMENTS**

(75) Inventor: **William M. Alexander, IV**, North  
Huntingdon, PA (US)

19703848 2/1998 (DE) .

(73) Assignee: **Kennametal Inc.**, Latrobe, PA (US)

**OTHER PUBLICATIONS**

(\*\*) Term: **14 Years**

Patent Cooperation Treaty (PCT) International Search  
Report, International Application No. PCT/US 00/19806,  
dated Oct. 10, 2000 (3 pp.).

(21) Appl. No.: **29/131,104**

Kennametal brochure, "Top Notch® Turning System," Cata-  
log 9004, 16 pages (1999).

(22) Filed: **Oct. 13, 2000**

Kennametal Brochure, "KennaMAX KennaPERFECT  
Turning System"©(1999) A99-141.

**Related U.S. Application Data**

\* cited by examiner

(62) Division of application No. 29/118,290, filed on Feb. 7,  
2000.

*Primary Examiner*—Antoine Duval Davis

(51) **LOC (7) Cl.** ..... **15-09**

(74) *Attorney, Agent, or Firm*—John J. Prizzi

(52) **U.S. Cl.** ..... **D15/139**

(57) **CLAIM**

(58) **Field of Search** ..... D15/139; 407/113-118

The ornamental design for a cutting tool insert, as shown and  
described.

(56) **References Cited**

**DESCRIPTION**

**U.S. PATENT DOCUMENTS**

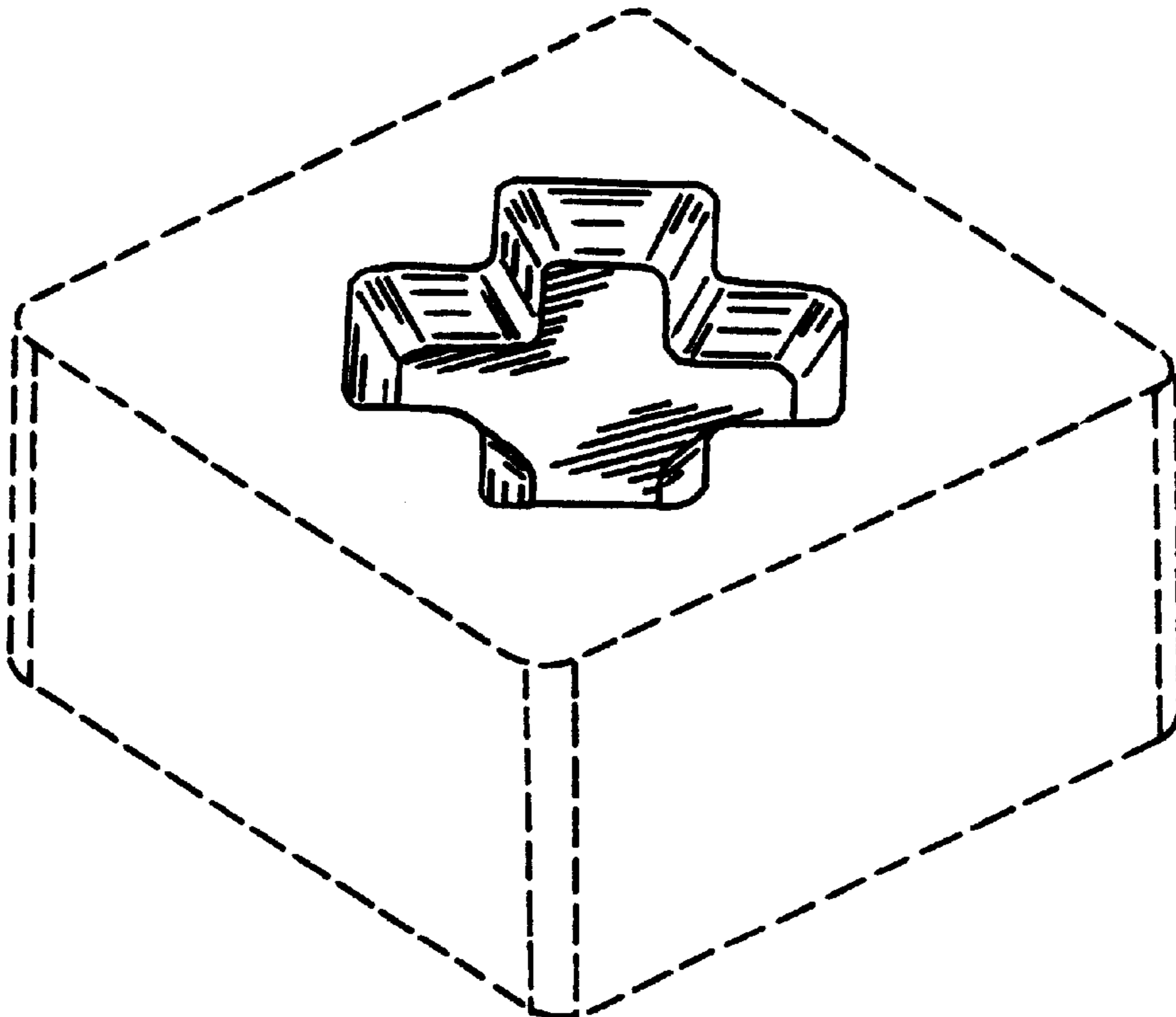
D. 324,690	3/1992	Takahashi et al. ....	D15/139
D. 347,012	5/1994	Huston et al. ....	D15/139
D. 377,801	2/1997	Kress et al. ....	D15/139
4,477,212	10/1984	Kraft .....	407/104
4,480,950	11/1984	Kraft et al. ....	407/103
4,934,880	6/1990	Stashko .....	407/43
5,611,649	3/1997	Matthias .....	407/118
5,658,100	8/1997	Deiss et al. ....	407/35
5,915,889	6/1999	Kress et al. ....	407/114
6,053,672 *	4/2000	Satran et al. ....	407/113 X

FIG. 1 is an isometric view of a cutting tool insert in  
accordance with a first embodiment of the subject invention;  
and,

FIG. 2 is a top plan view of FIG. 1, wherein the bottom plan  
view is identical.

Broken line illustrations in the drawings are not part of the  
subject matter sought to be patented.

**1 Claim, 1 Drawing Sheet**



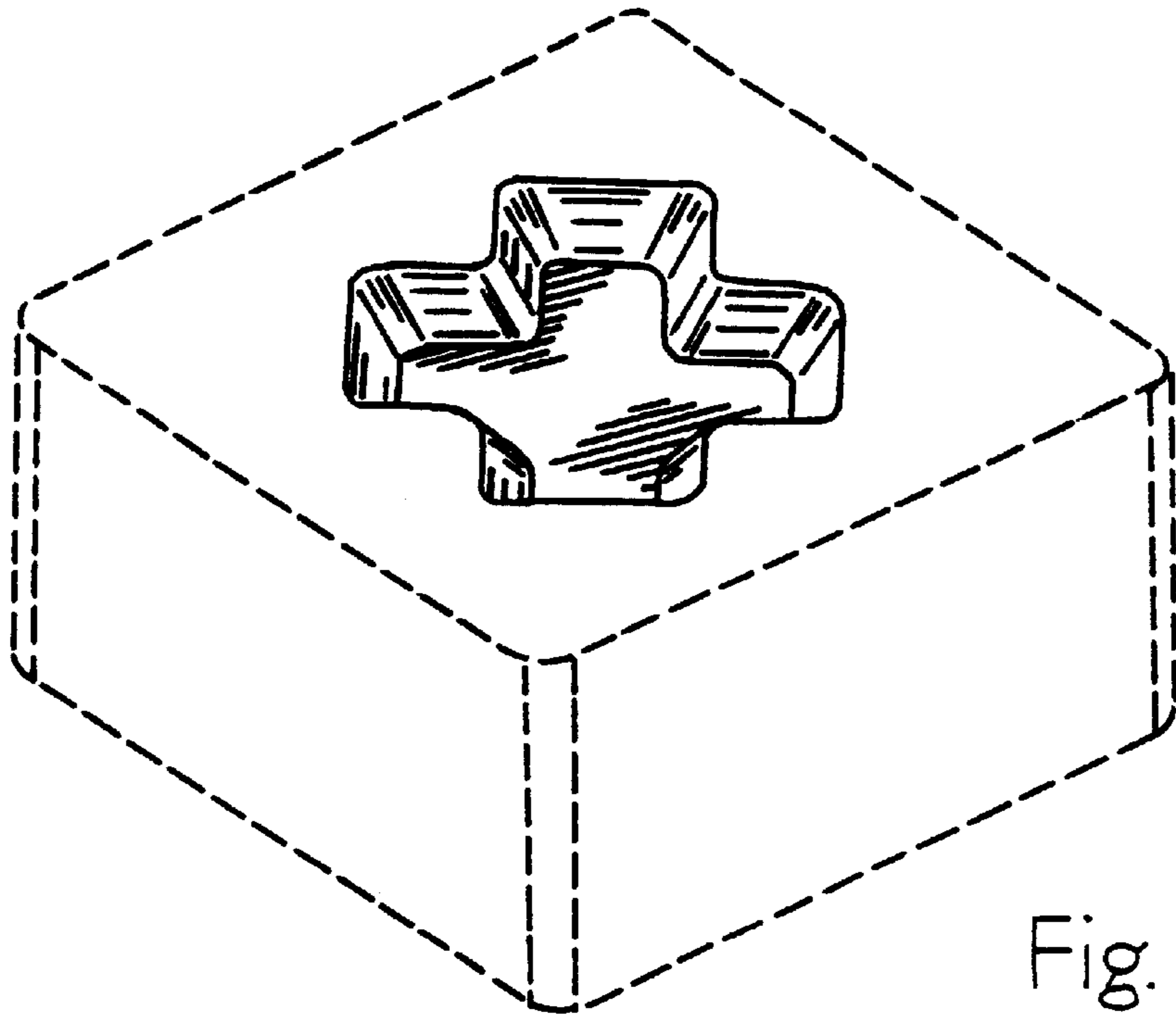


Fig. 1

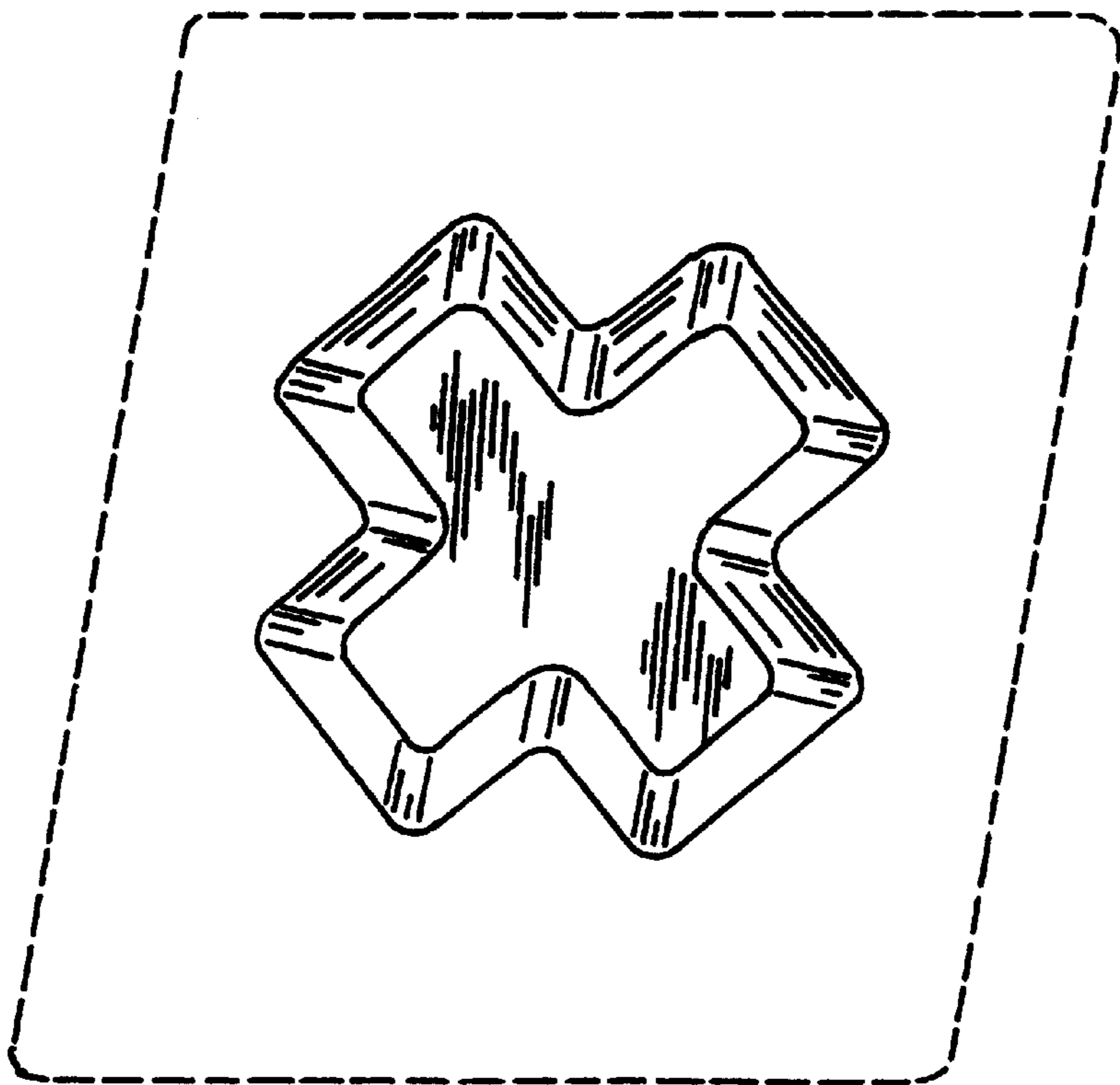


Fig. 2