



US00D445808S

(12) **United States Design Patent**  
**Gill**

(10) **Patent No.:** **US D445,808 S**

(45) **Date of Patent:** **\*\* Jul. 31, 2001**

(54) **SELF-ADHERING DRILL**

(75) Inventor: **Jeffrey Steven Gill**, Davison, MI (US)

(73) Assignee: **Hougen Manufacturing, Inc.**, Swartz Creek, MI (US)

(\*\*) Term: **14 Years**

(21) Appl. No.: **29/131,540**

(22) Filed: **Oct. 24, 2000**

(51) **LOC (7) Cl.** ..... **15-09**

(52) **U.S. Cl.** ..... **D15/132**

(58) **Field of Search** ..... D15/132, 140,  
D15/141; 408/76, 6, 11, 56, 110, 115 R,  
135, 141

(56) **References Cited**

**U.S. PATENT DOCUMENTS**

5,415,503 \* 5/1995 Strange et al. .... 408/76  
5,902,076 \* 5/1999 Miller et al. .... 408/76 X

\* cited by examiner

*Primary Examiner*—Antoine Duval Davis  
(74) *Attorney, Agent, or Firm*—Howard & Howard

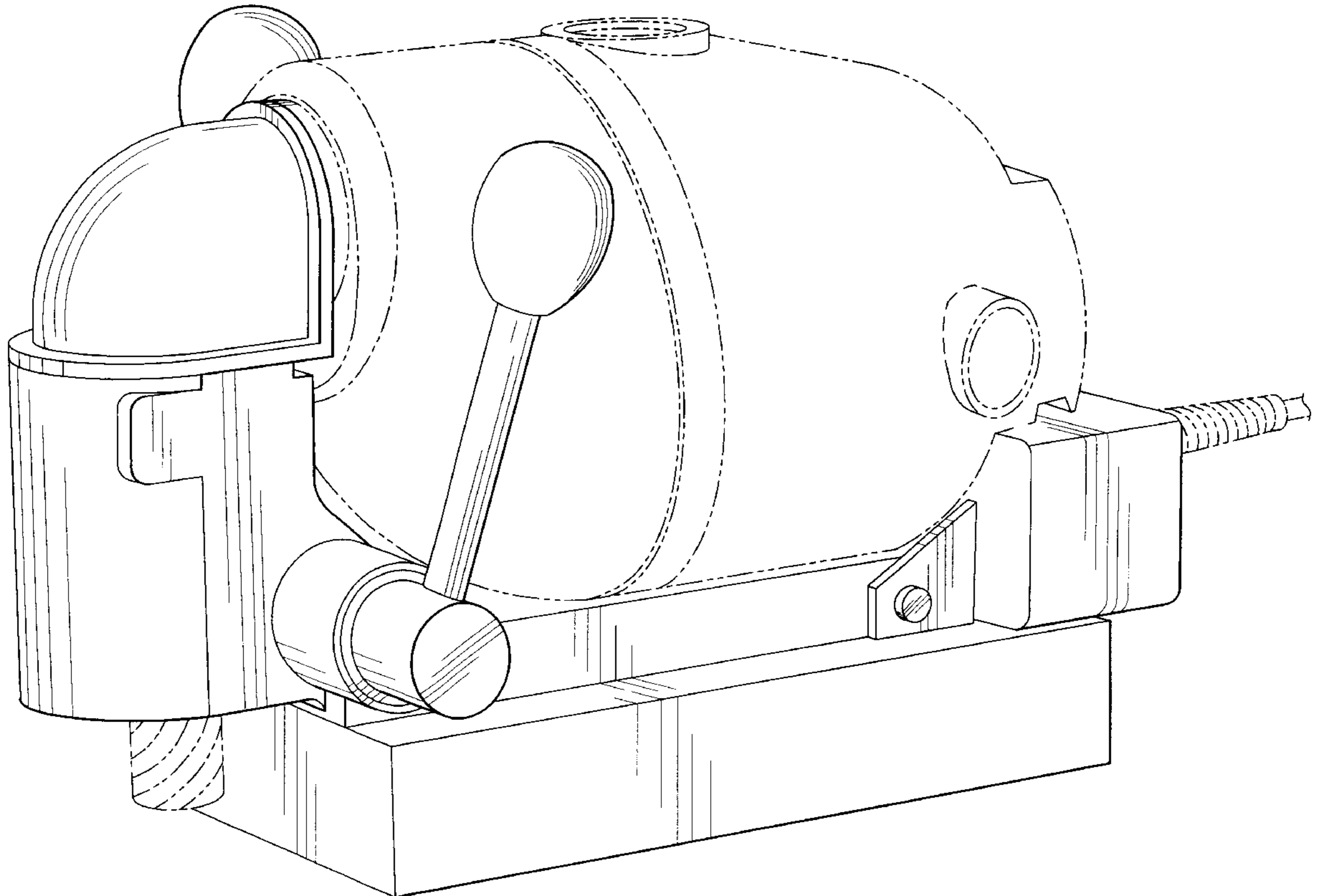
(57) **CLAIM**

We claim the ornamental design for a self-adhering drill, as shown and described.

**DESCRIPTION**

FIG. 1 is a perspective view of the inventive drill.  
FIG. 2 is a side elevation view of the inventive drill as seen from the right side of FIG. 1.  
FIG. 3 is a side elevation view of the inventive drill as seen from the left side of FIG. 1.  
FIG. 4 is a front end view of the inventive drill as seen in FIG. 1.  
FIG. 5 is a rear end view of the inventive drill as seen in FIG. 1.  
FIG. 6 is a top plan view of the inventive drill; and,  
FIG. 7 is a bottom plan view of the inventive drill.  
The broken line showing is for illustrative purposes only and forms no part of the claimed design.

**1 Claim, 6 Drawing Sheets**



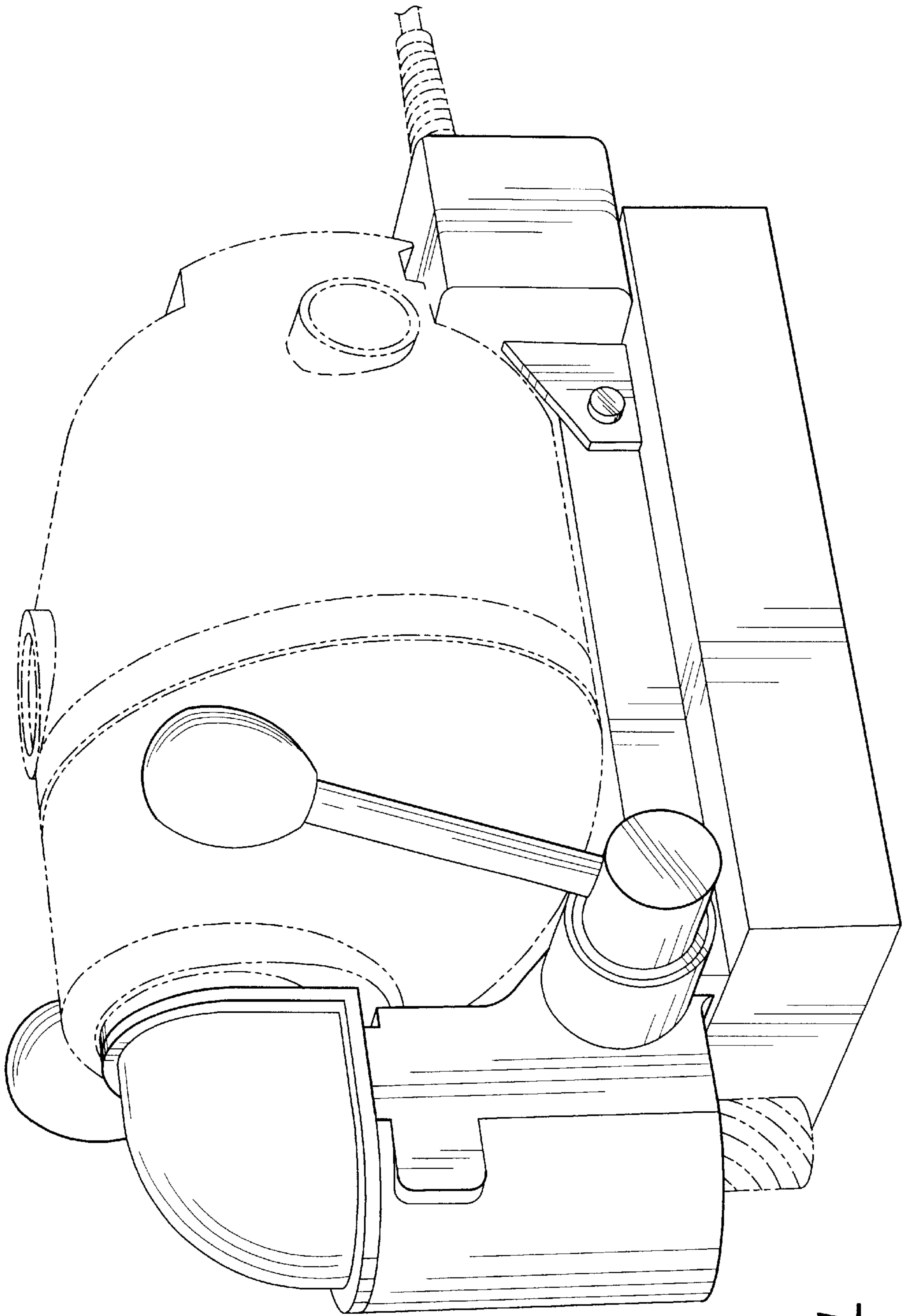


Fig-1

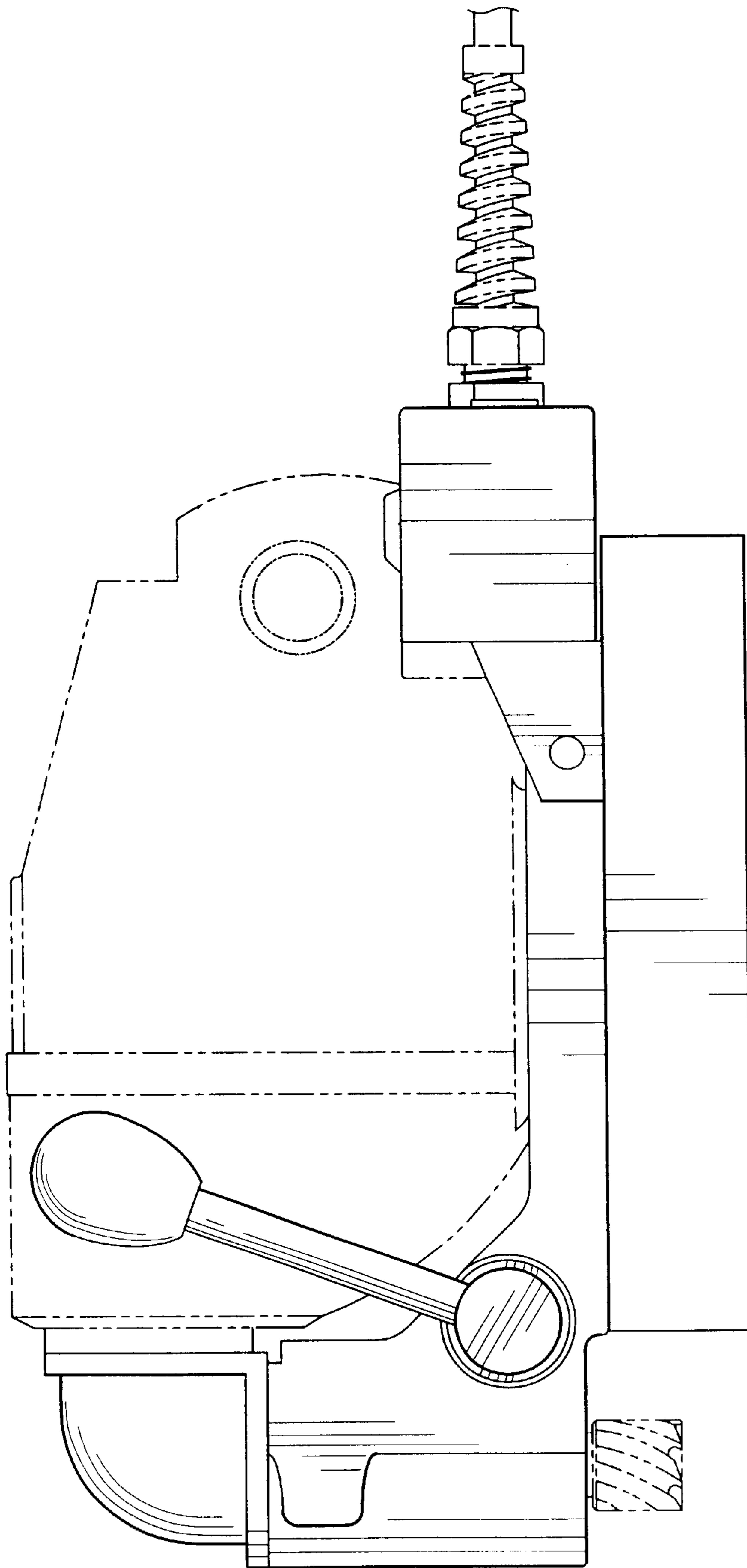


Fig-2

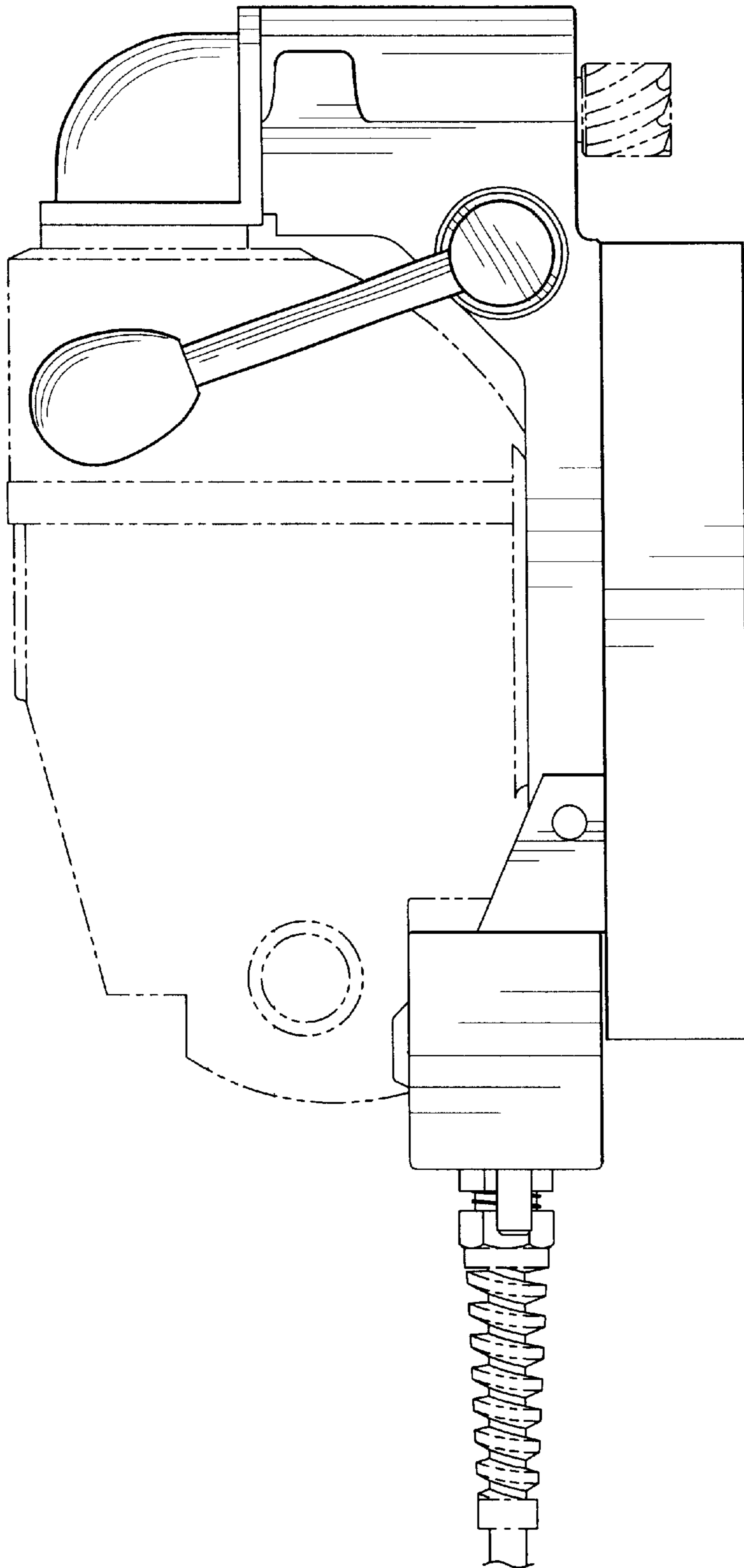


Fig-3

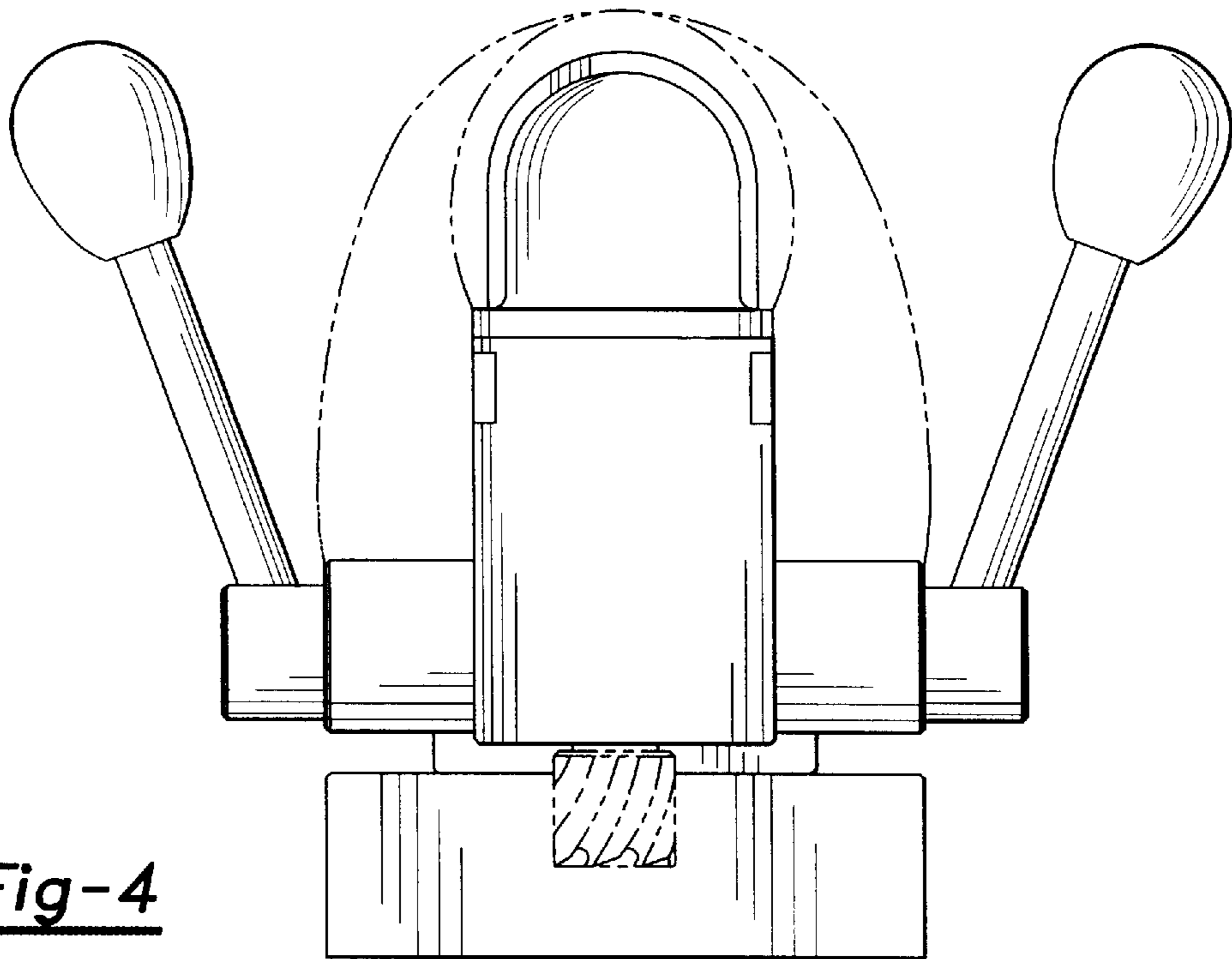


Fig-4

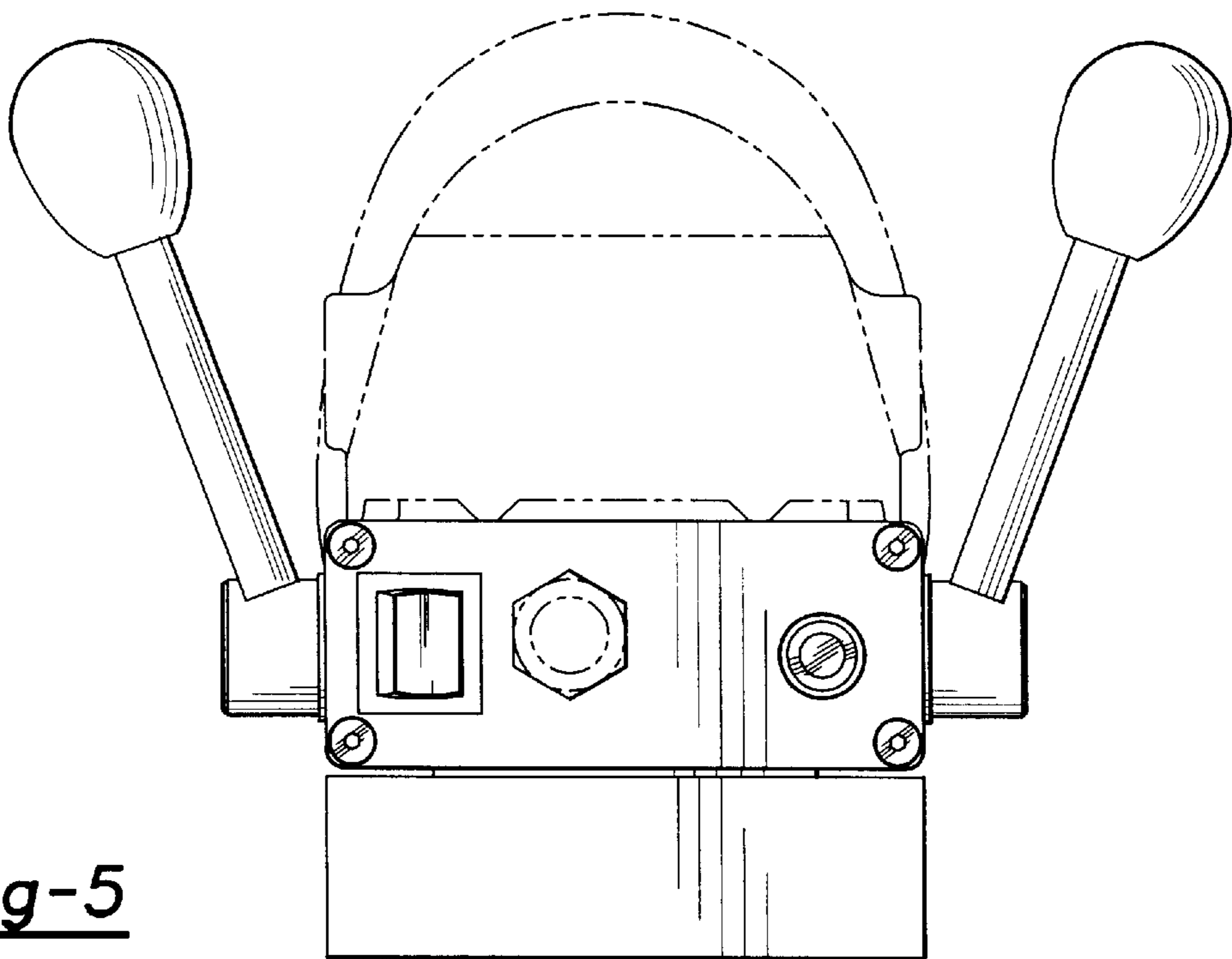


Fig-5

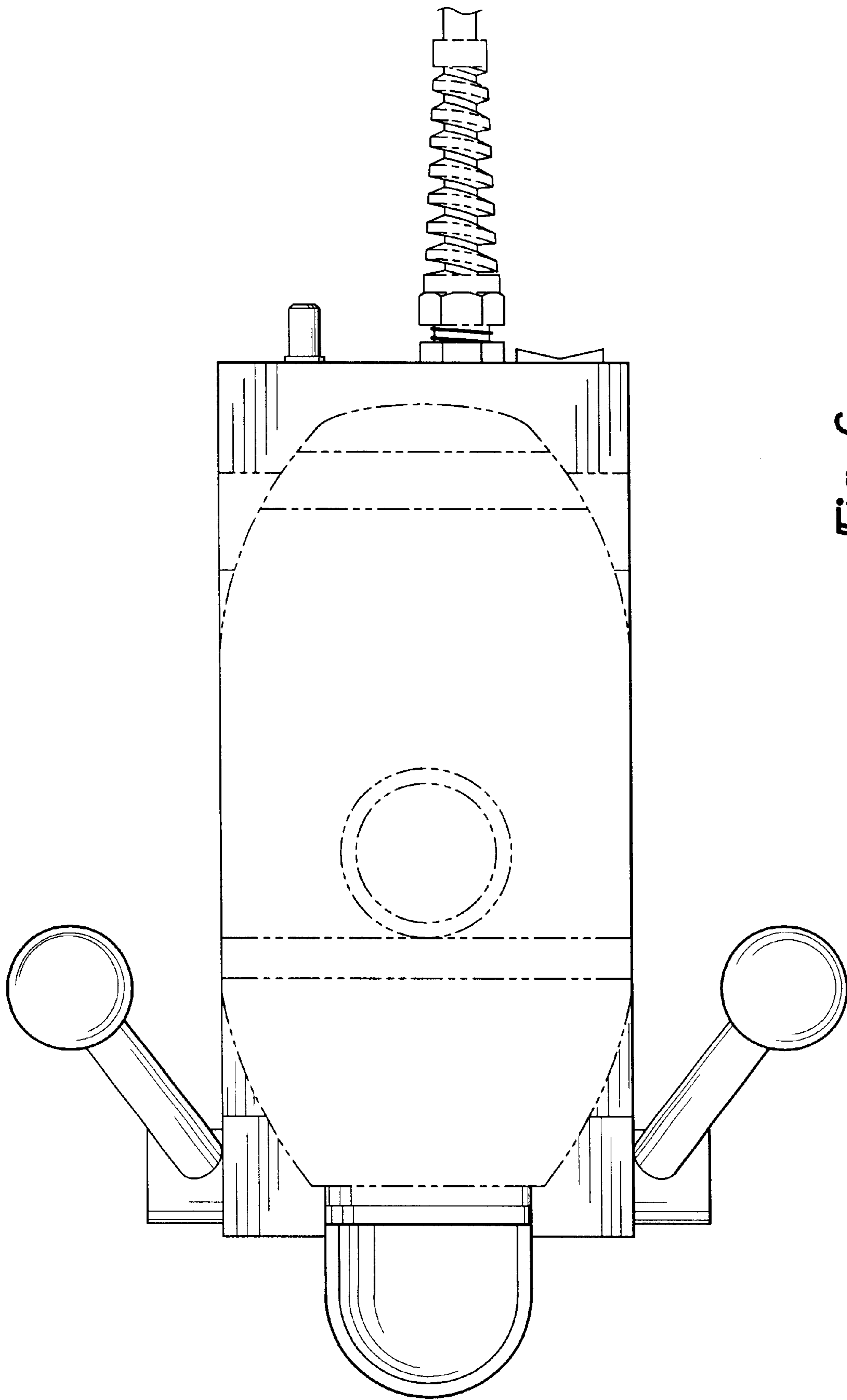


Fig-6



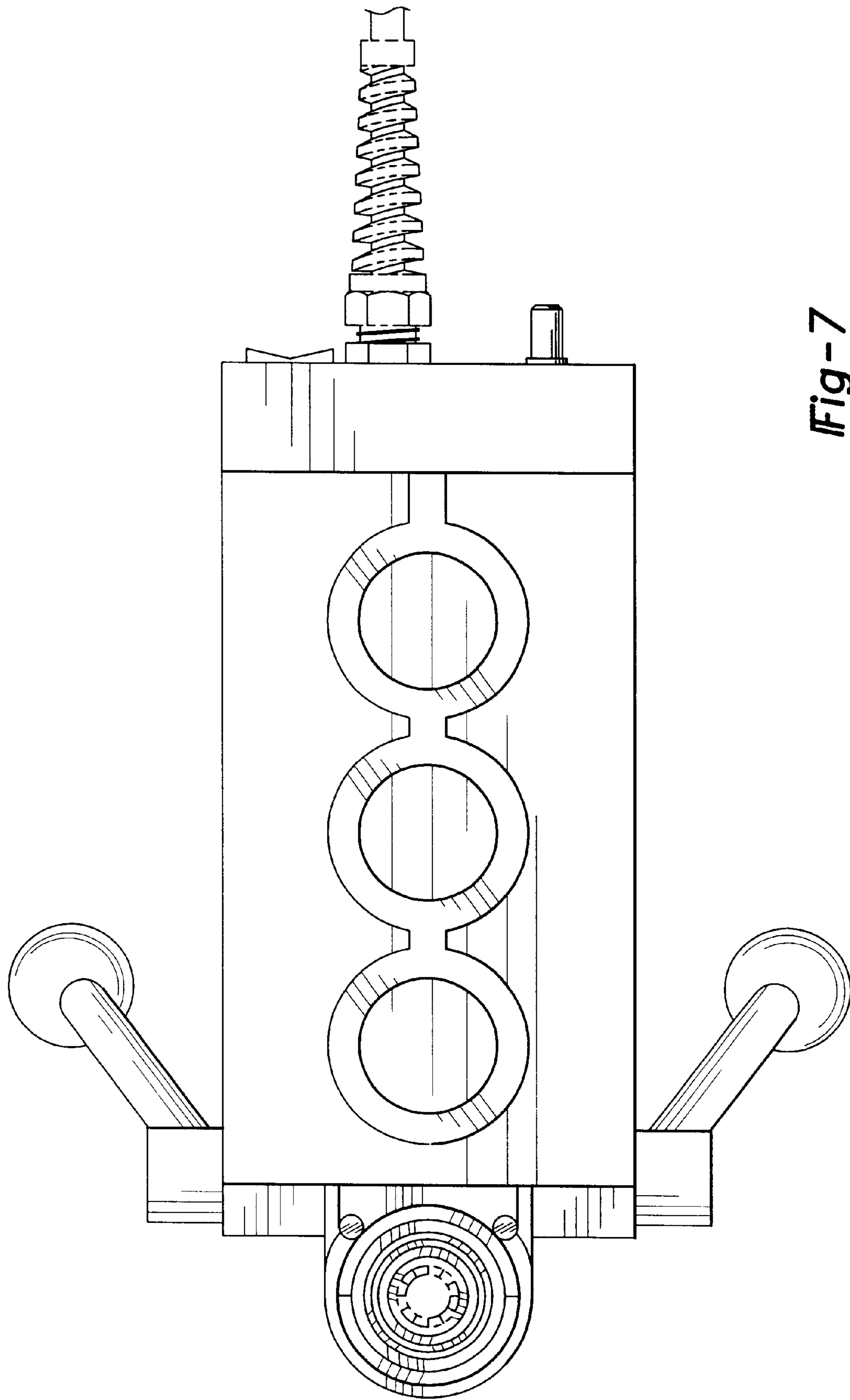


Fig-7