



US00D445807S

(12) **United States Design Patent**
Baulk

(10) **Patent No.:** **US D445,807 S**

(45) **Date of Patent:** **** Jul. 31, 2001**

(54) **MACHINE TOOL**

6,134,763 * 10/2000 Shoji 29/27 C

(75) Inventor: **Ian Baulk**, Liversedge (GB)

* cited by examiner

(73) Assignee: **600 UK Limited**, Leeds (GB)

Primary Examiner—Antoine Duval Davis

(**) Term: **14 Years**

(74) *Attorney, Agent, or Firm*—Workman, Nydegger & Seeley

(21) Appl. No.: **29/133,388**

(57) **CLAIM**

(22) Filed: **Nov. 29, 2000**

The ornamental design for a machine tool, as shown and described.

(30) **Foreign Application Priority Data**

DESCRIPTION

May 31, 2000 (GB) 2093195

(51) **LOC (7) Cl.** **15-09**

(52) **U.S. Cl.** **D15/127; D15/130**

(58) **Field of Search** D15/127, 130,
D15/131; 29/27 C, 27 R, 33; 74/813 L,
826; 82/117, 120, 121, 134, 143; 408/35,
234

FIG. 1 is an oblique perspective view from the front of the machine tool;
FIG. 2 is an elevated front view of the machine tool shown in FIG. 1;
FIG. 3 is an elevated back view of the machine tool shown in FIG. 1;
FIG. 4 is an elevated left side view of the machine tool shown in FIG. 1;
FIG. 5 is an elevated right side view of the machine tool shown in FIG. 1; and,
FIG. 6 is a bottom plan view of the machine tool shown in FIG. 1.

(56) **References Cited**

U.S. PATENT DOCUMENTS

- D. 326,100 * 5/1992 Marriott D15/130
- D. 368,917 * 4/1996 Isshiki et al. D15/130
- 5,439,431 * 8/1995 Hessbruggen et al. 29/27 C

1 Claim, 5 Drawing Sheets

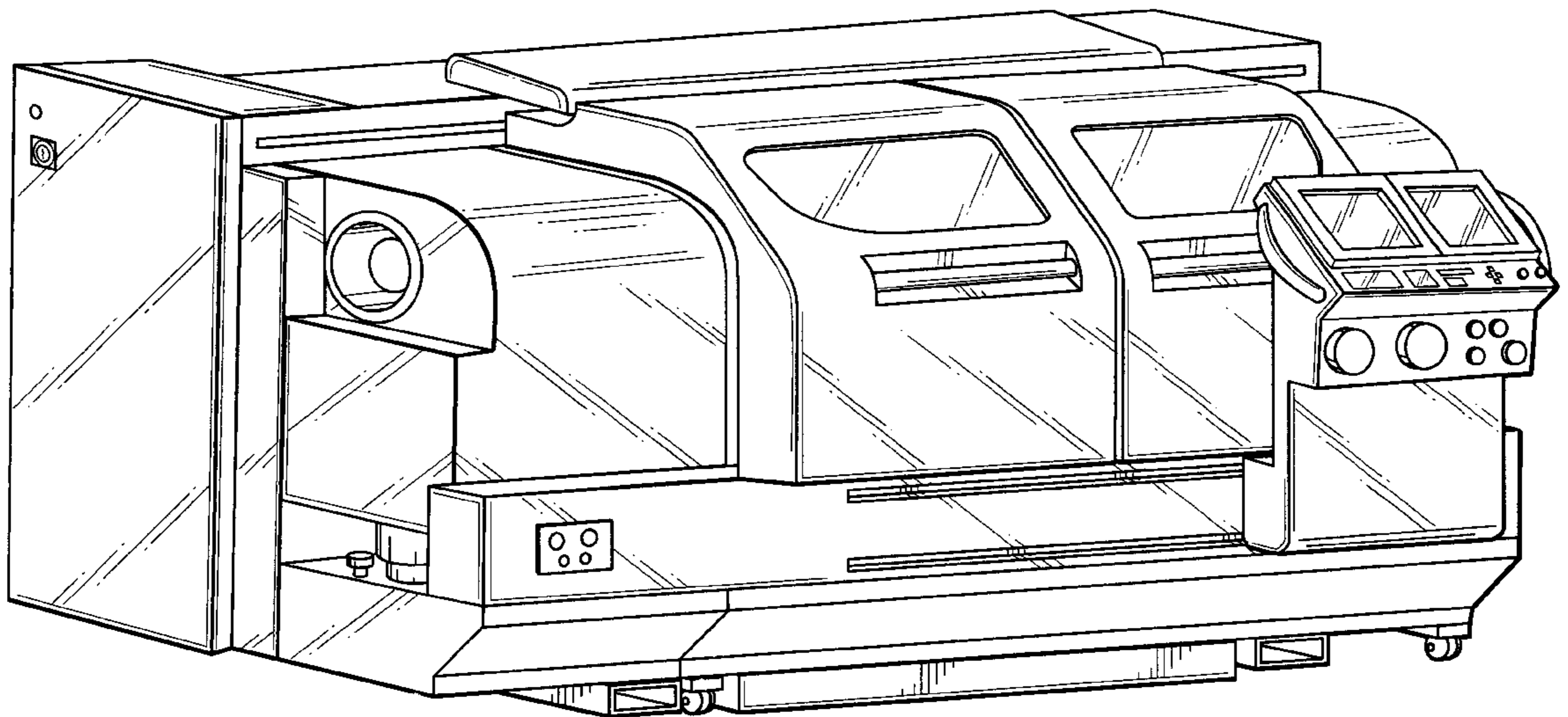




Fig. 1

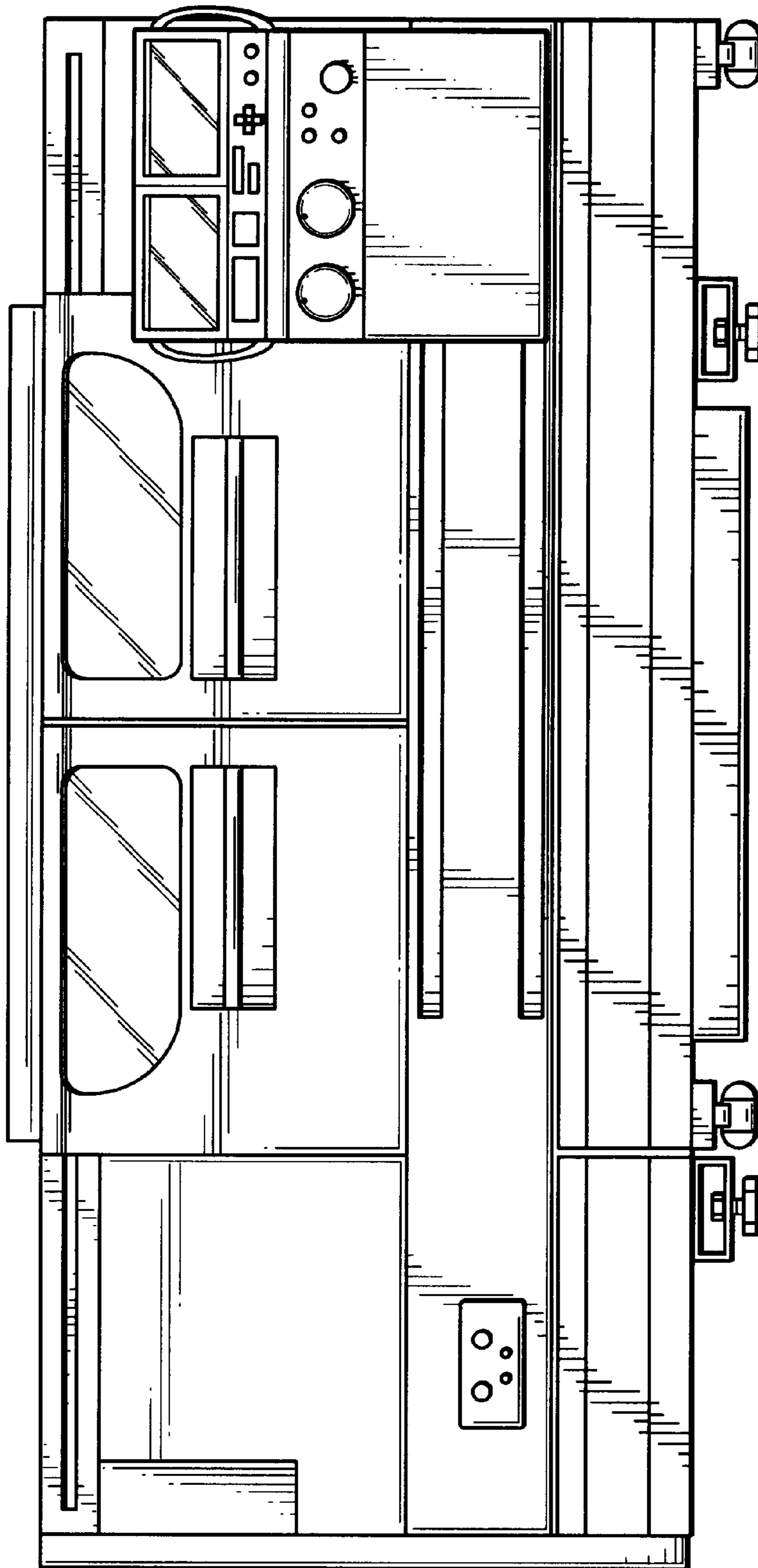


Fig. 2

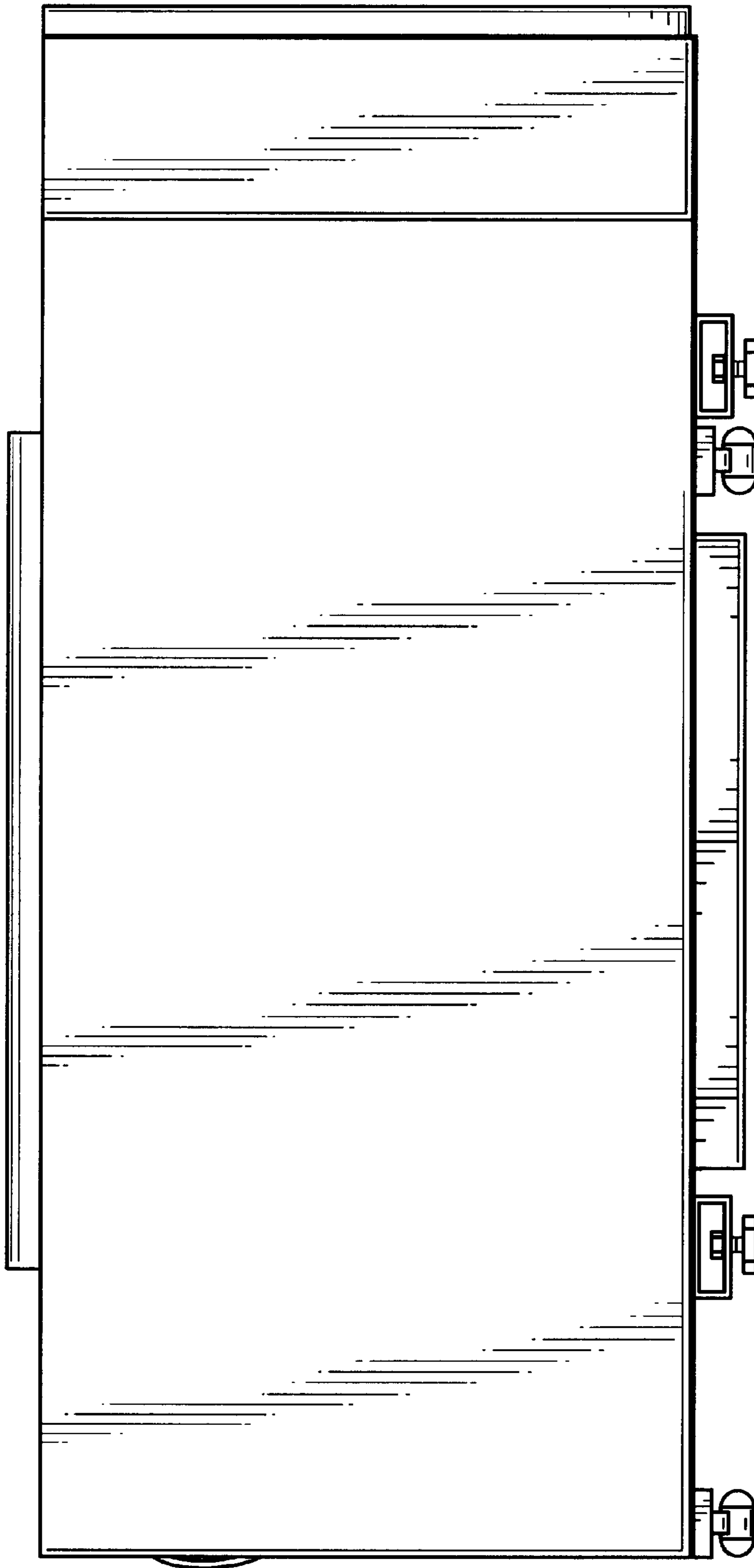


Fig. 3

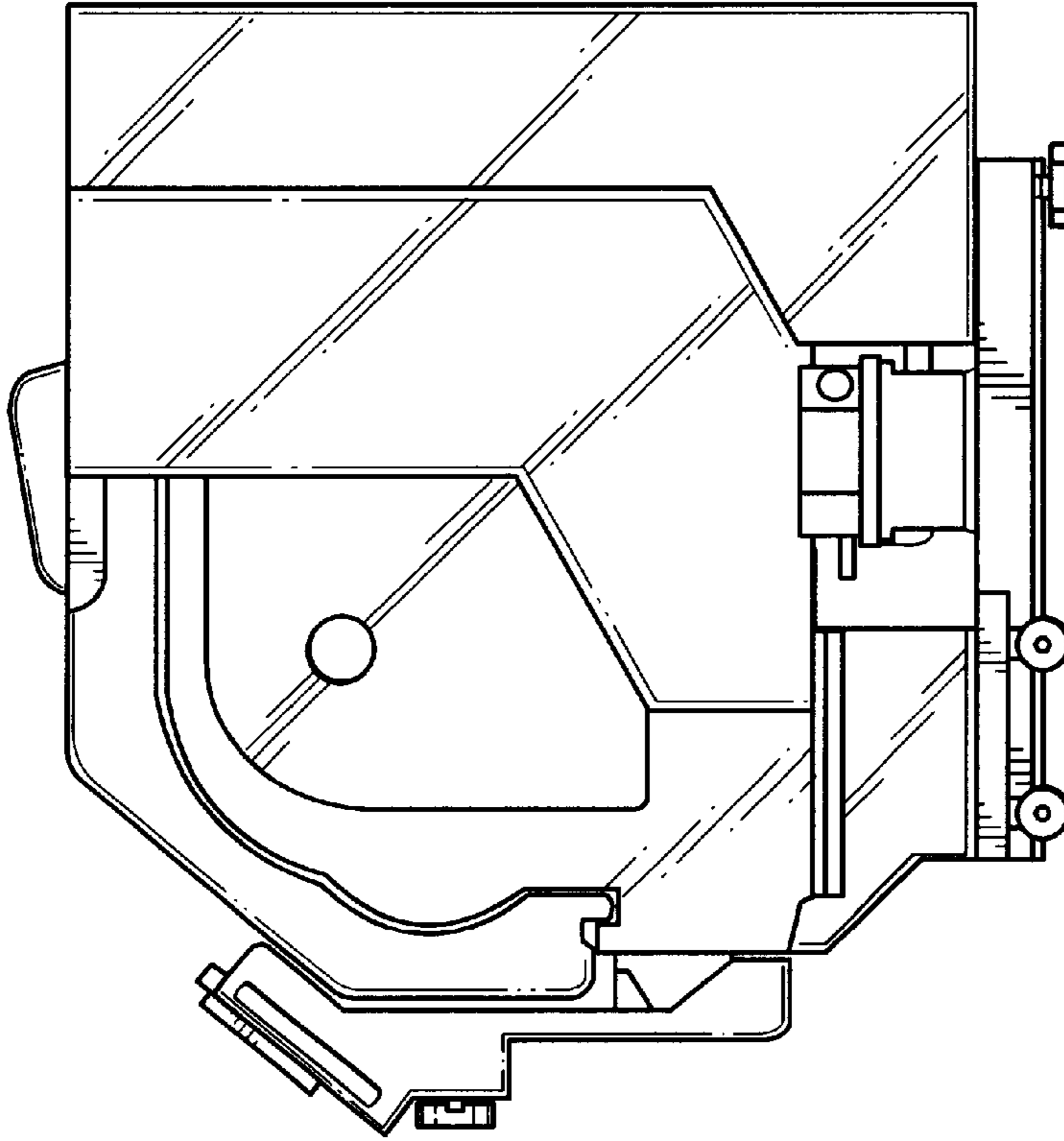


Fig. 5

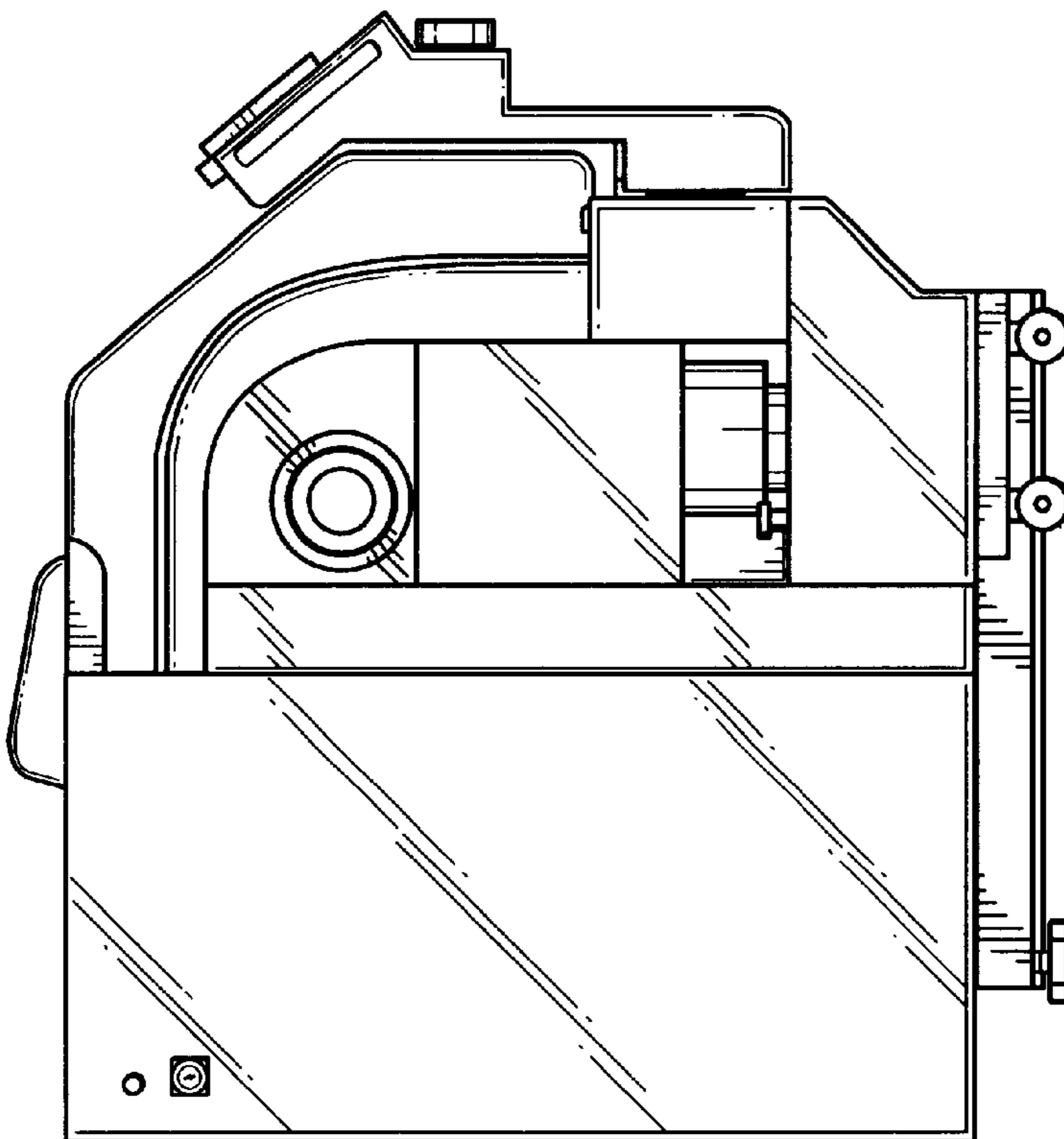


Fig. 4

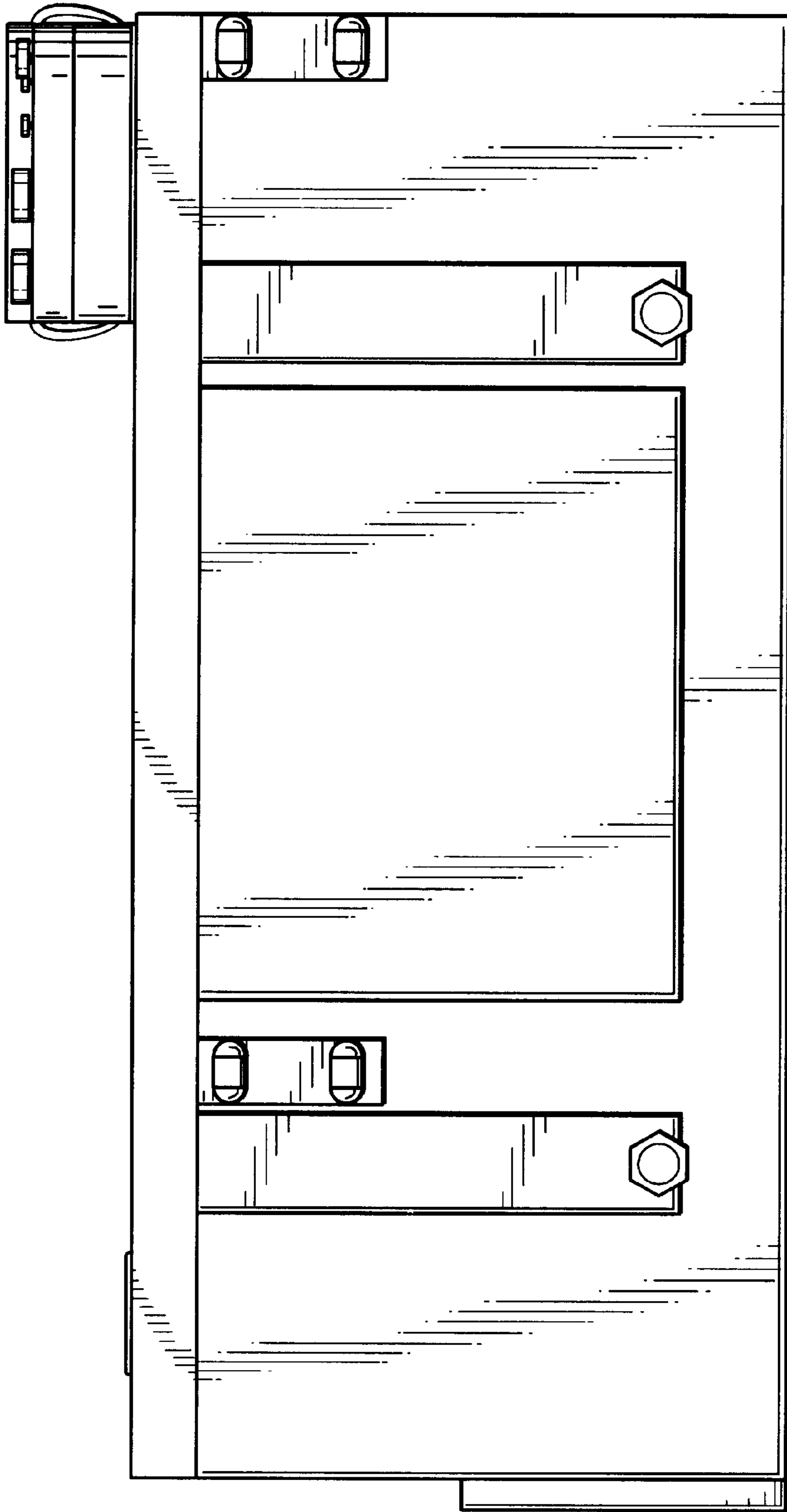


Fig. 6