



US00D445804S

(12) **United States Design Patent**
Tsai

(10) **Patent No.:** **US D445,804 S**

(45) **Date of Patent:** **** Jul. 31, 2001**

(54) **PUMP**

(76) **Inventor:** **Long-Po Tsai**, 4Fl., No. 46, Lane 50,
Ming-Tsu Rd., Chu-Wei Li, Tan-Shui
Chen, Taipei Hsien (TW)

(**) **Term:** **14 Years**

(21) **Appl. No.:** **29/127,273**

(22) **Filed:** **Aug. 2, 2000**

(51) **LOC (7) Cl.** **15-02**

(52) **U.S. Cl.** **D15/7**

(58) **Field of Search** D15/7-9; 417/234,
417/449, 360, 362, 375, 376, 423.3, 909;
132/899.4, 565.18; 92/58.1; 119/76

(56) **References Cited**

U.S. PATENT DOCUMENTS

D. 339,143	*	9/1993	Whitley, II	D15/7
D. 376,370	*	12/1996	Davis et al.	D15/7
D. 403,329	*	12/1998	Walker et al.	D15/7
D. 404,400	*	1/1999	Wang	D15/7
D. 420,011	*	2/2000	Tsai	D15/7
D. 435,049	*	12/2000	Tsai	D15/7
D. 435,562	*	12/2000	Clivio	D15/7

* cited by examiner

Primary Examiner—Ralf Seifert

(74) *Attorney, Agent, or Firm*—Alan D. Kamrath; Rider,
Bennett, Egan & Arundel, LLP

(57) **CLAIM**

The ornamental design for a pump, as shown and described.

DESCRIPTION

FIG. 1 is a perspective view of a pump, showing my new design;

FIG. 2 is a front elevational view thereof;

FIG. 3 is a rear elevational view thereof;

FIG. 4 is a left elevational view thereof;

FIG. 5 is a right elevational view thereof;

FIG. 6 is a top plan view thereof;

FIG. 7 is a bottom plan view thereof;

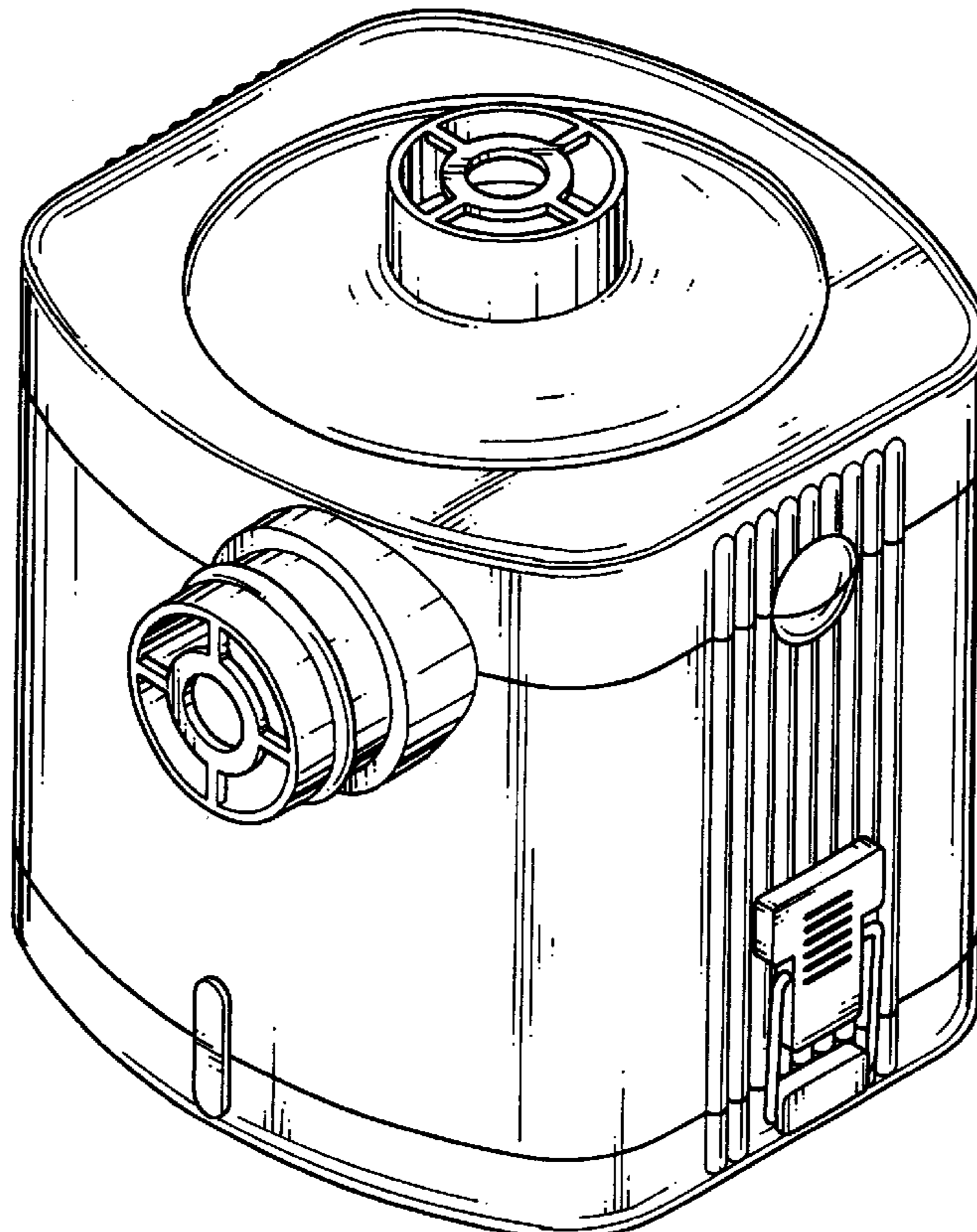
FIG. 8 is a perspective view thereof showing the application of the pump with nozzles, wherein the elements shown in broken lines are for illustrative purpose only and form no part of the claimed design;

FIG. 9 is a perspective view thereof showing the application of the pump with nozzles, wherein the elements shown in broken lines are for illustrative purpose only and form no part of the claimed design;

FIG. 10 is a perspective view thereof showing the application of the pump with nozzles, wherein the elements shown in broken lines are for illustrative purpose only and form no part of the claimed design; and,

FIG. 11 is a perspective view thereof showing the application of the pump with nozzles, wherein the elements shown in broken lines are for illustrative purpose only and form no part of the claimed design.

1 Claim, 8 Drawing Sheets



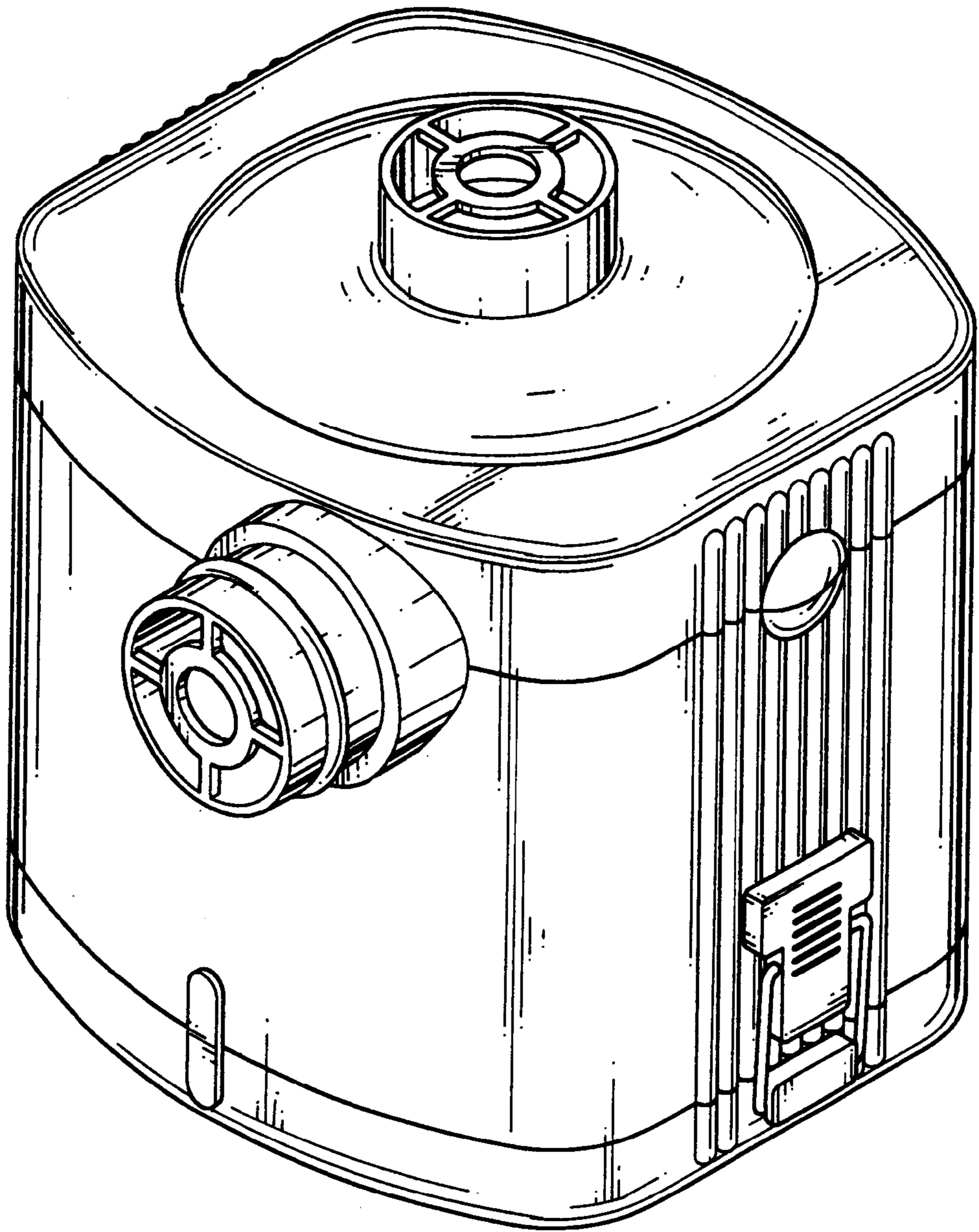


FIG. 1

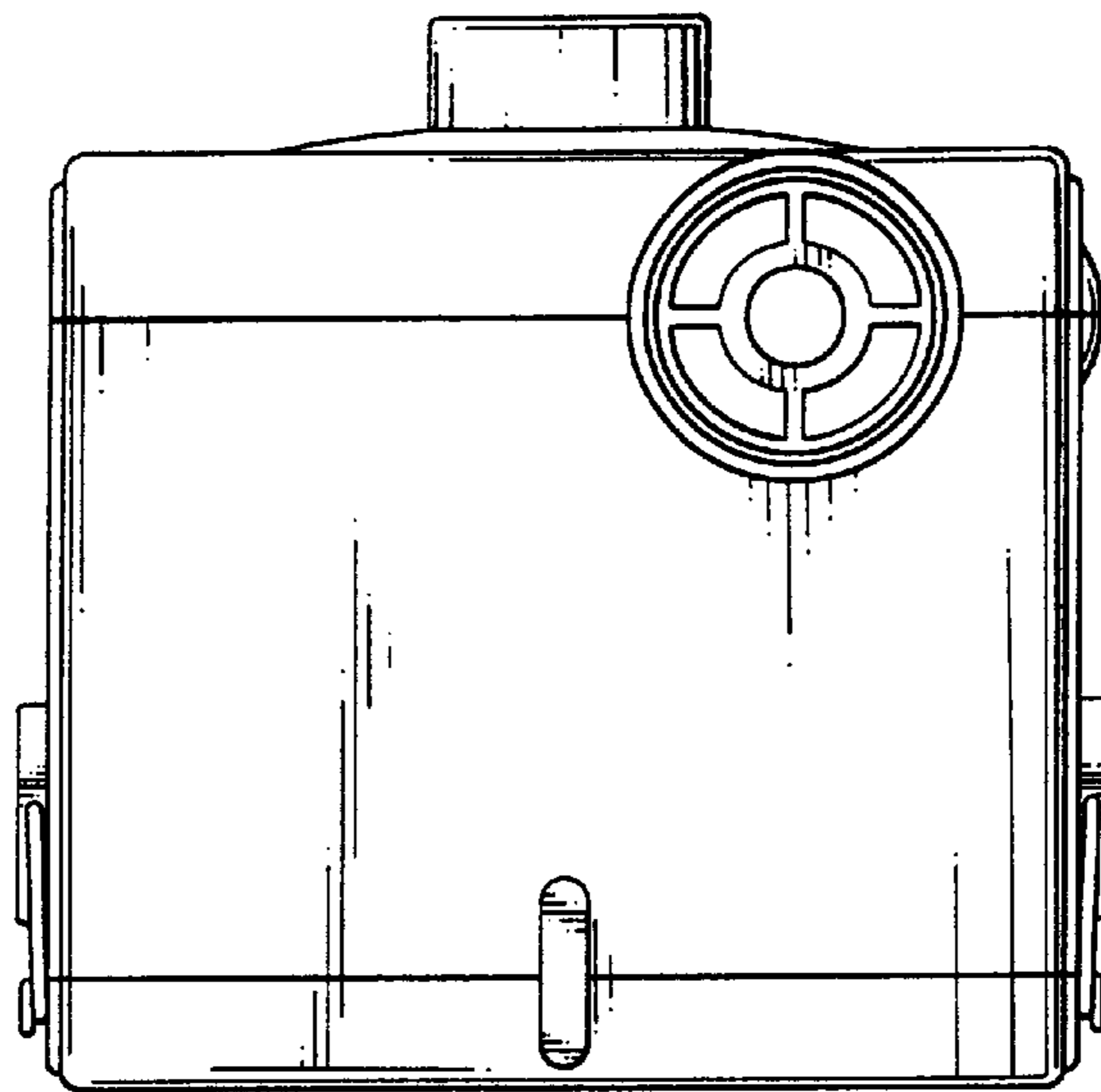


FIG. 2

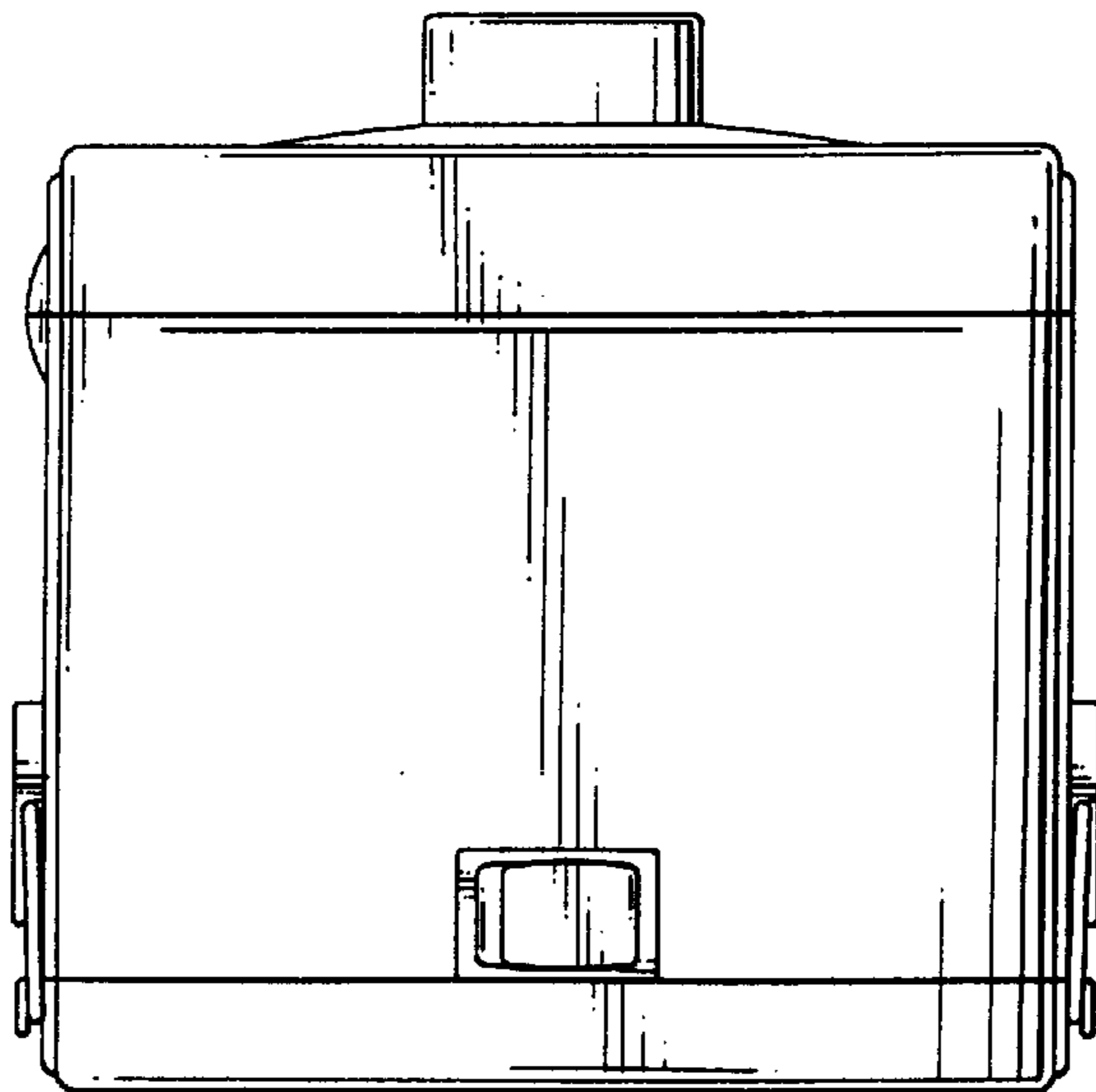


FIG. 3

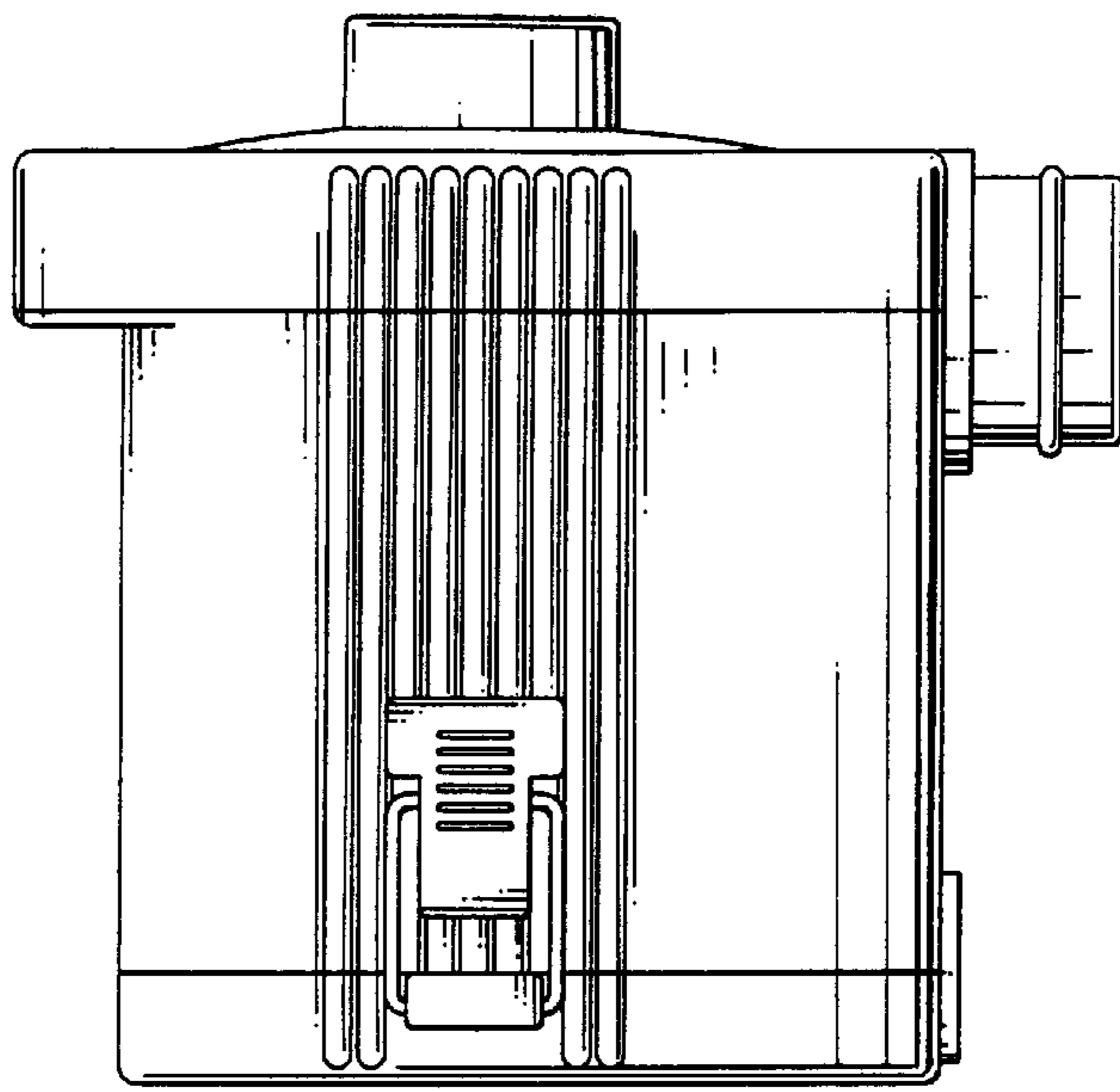


FIG. 4

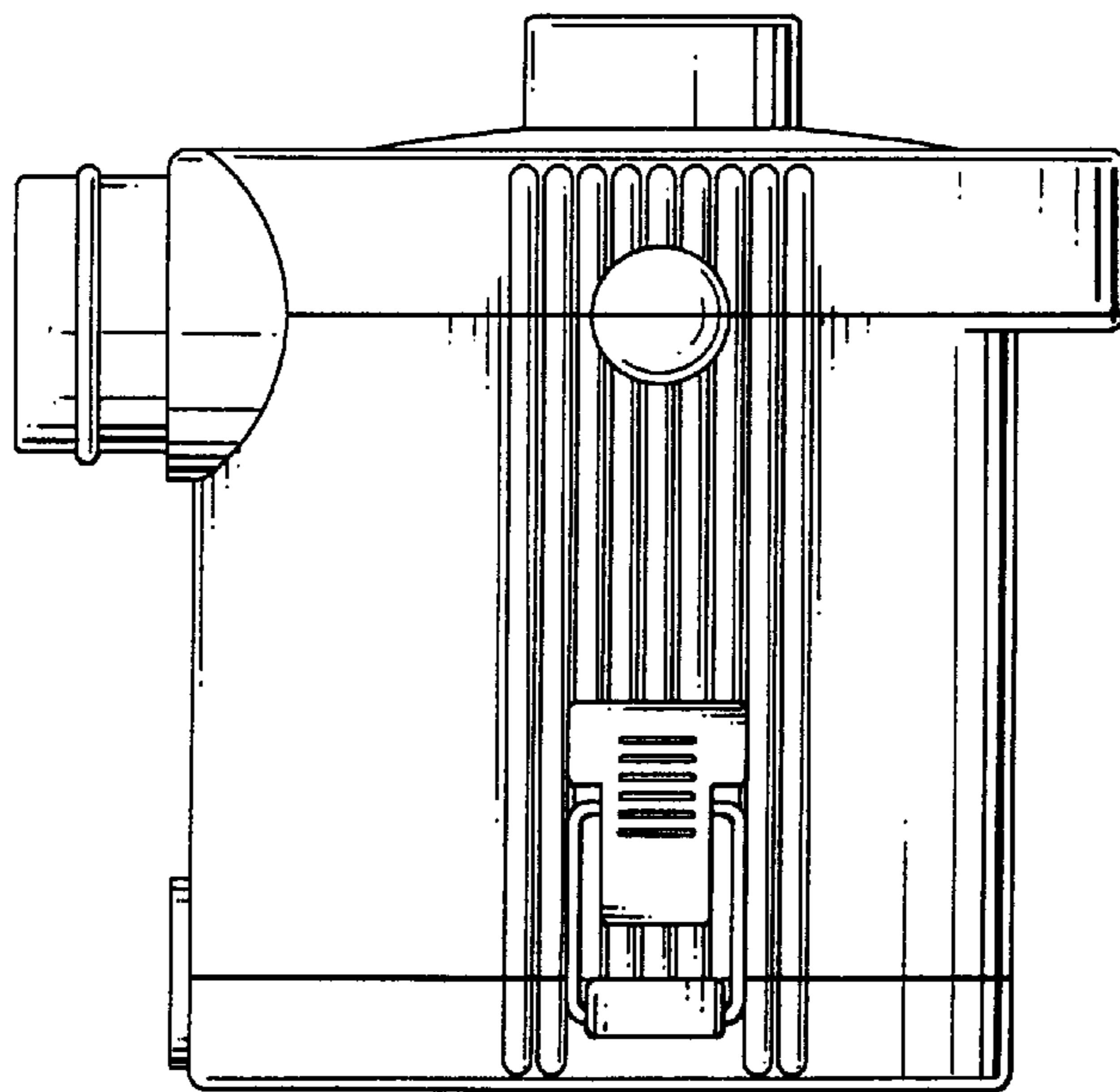


FIG. 5

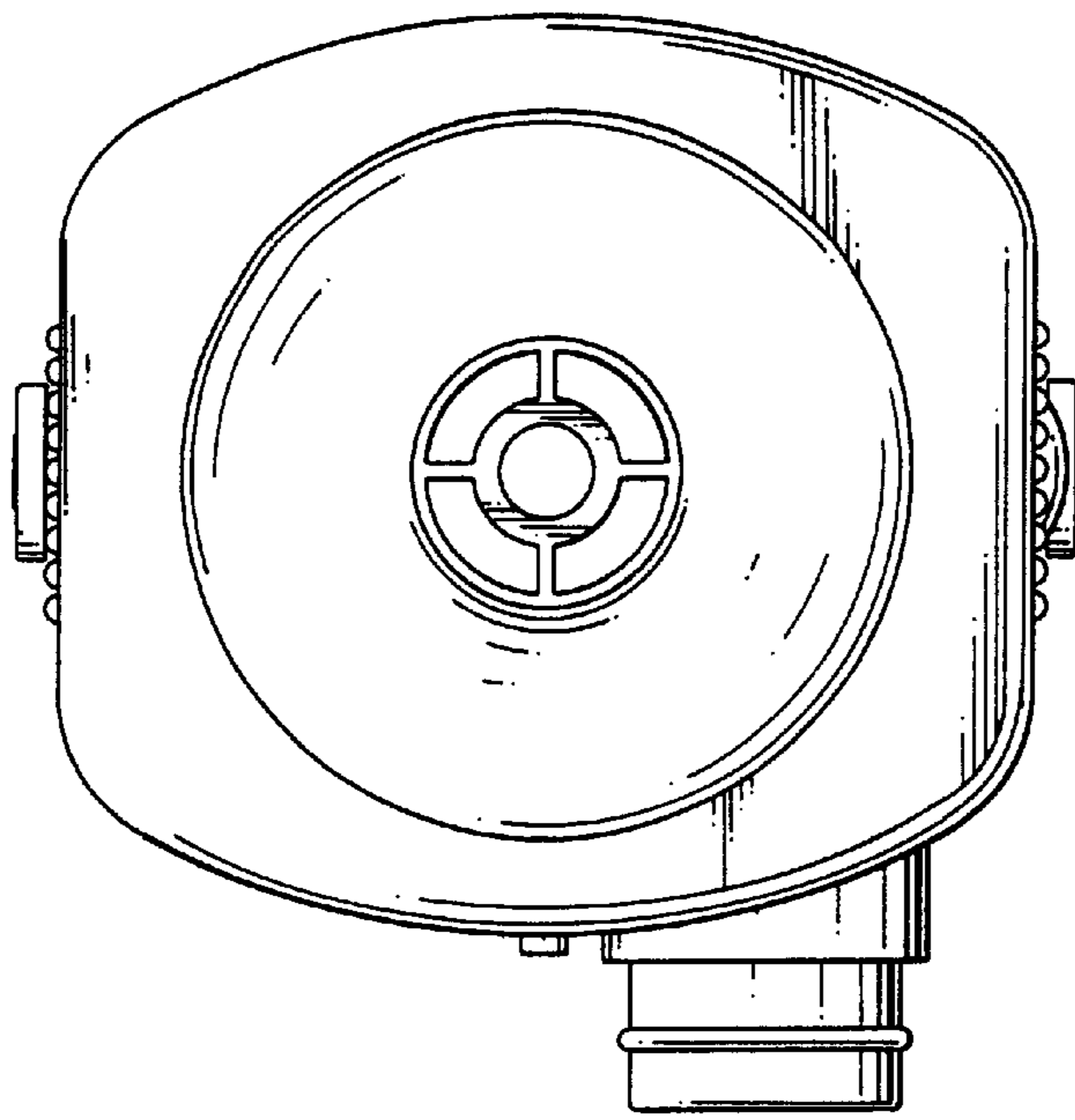


FIG. 6

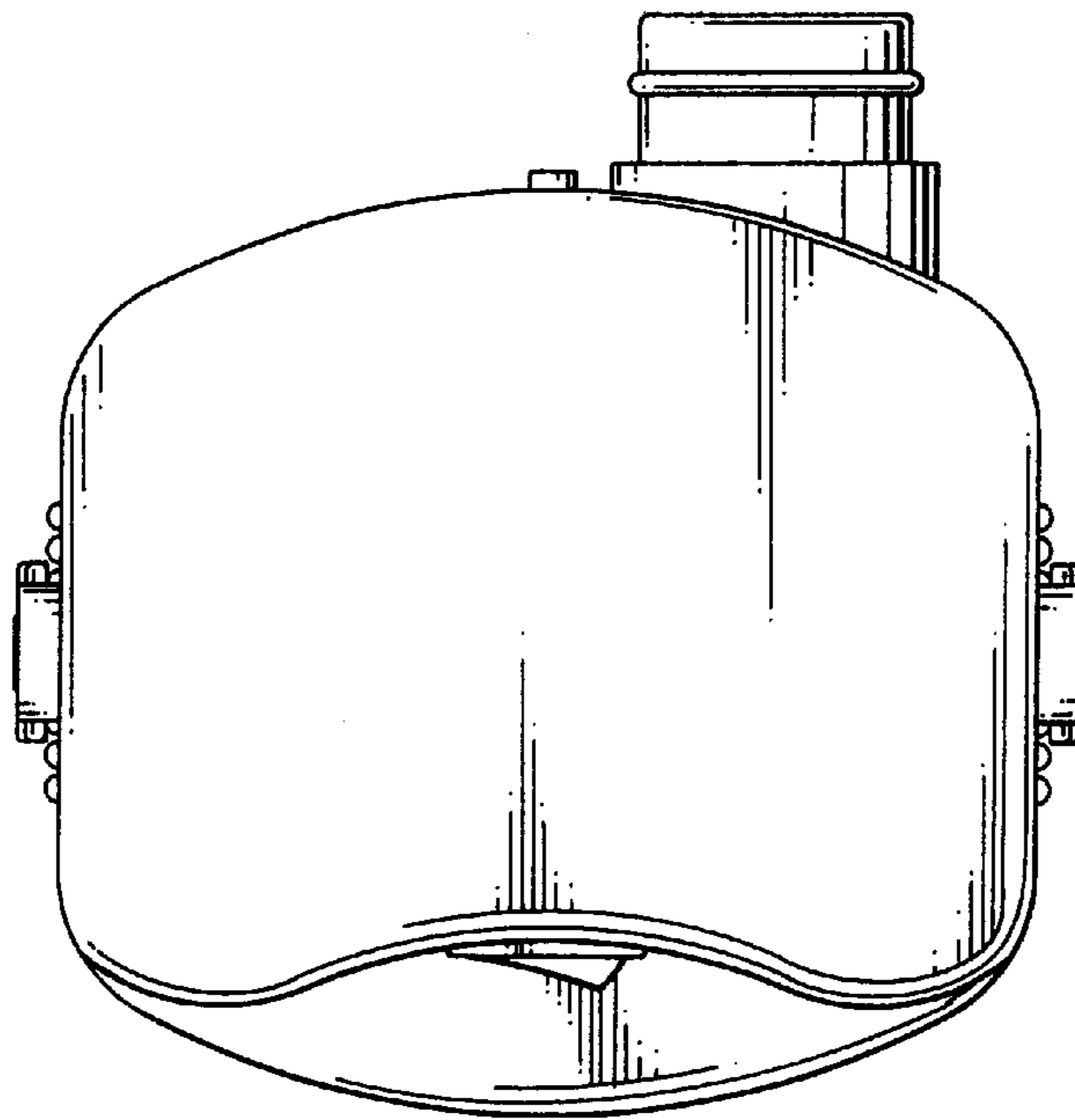


FIG. 7

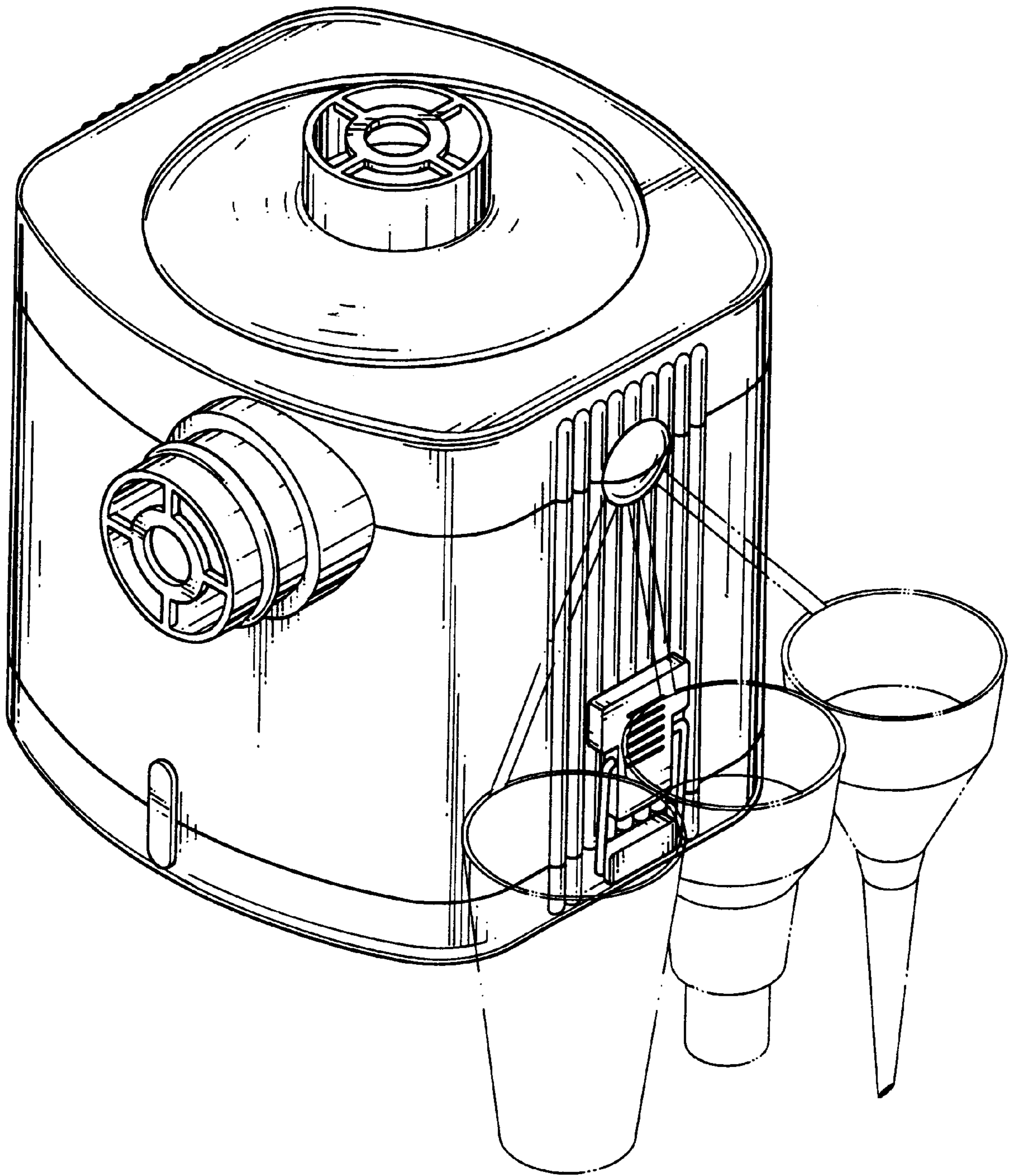


FIG. 8

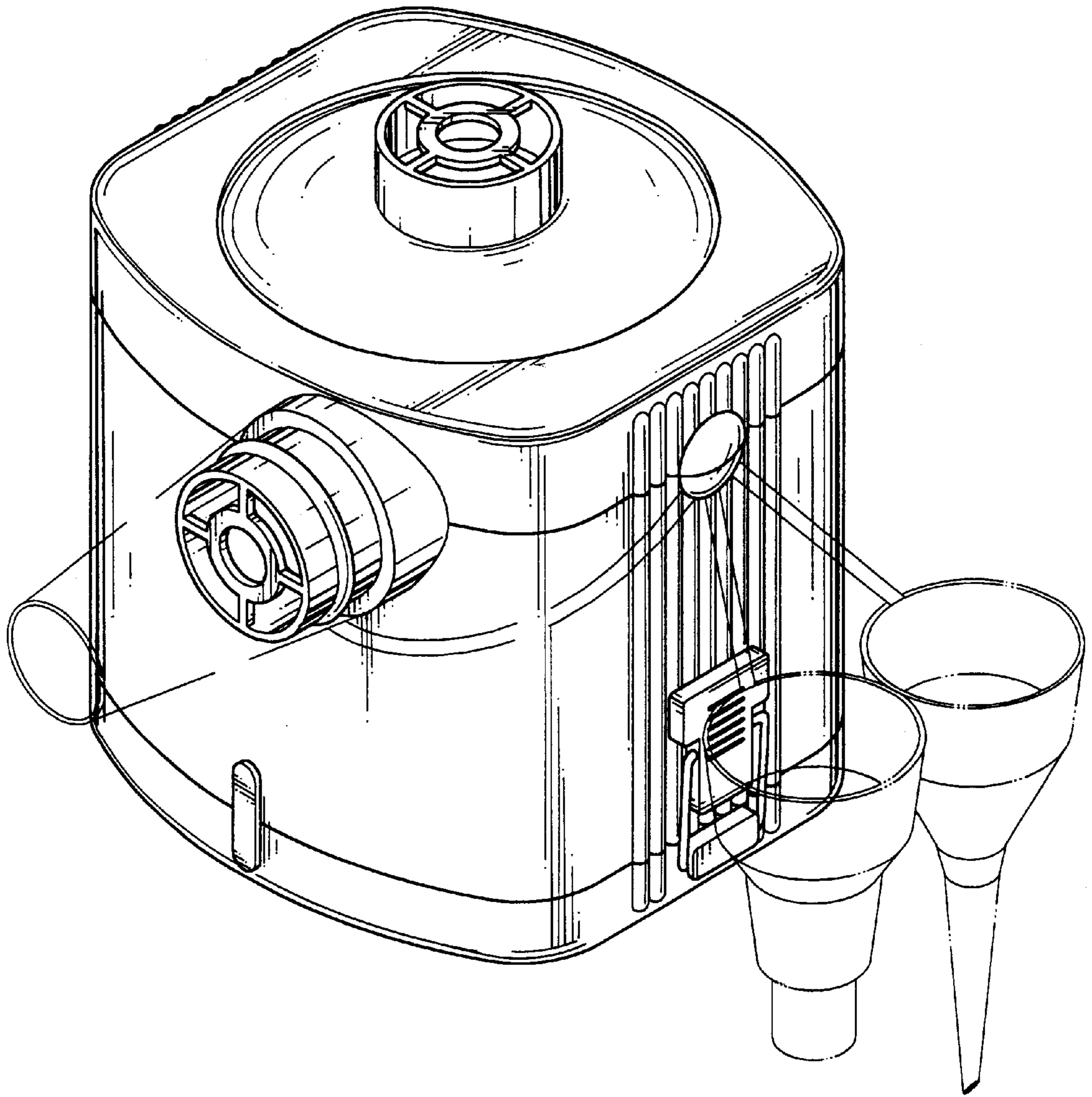


FIG. 9

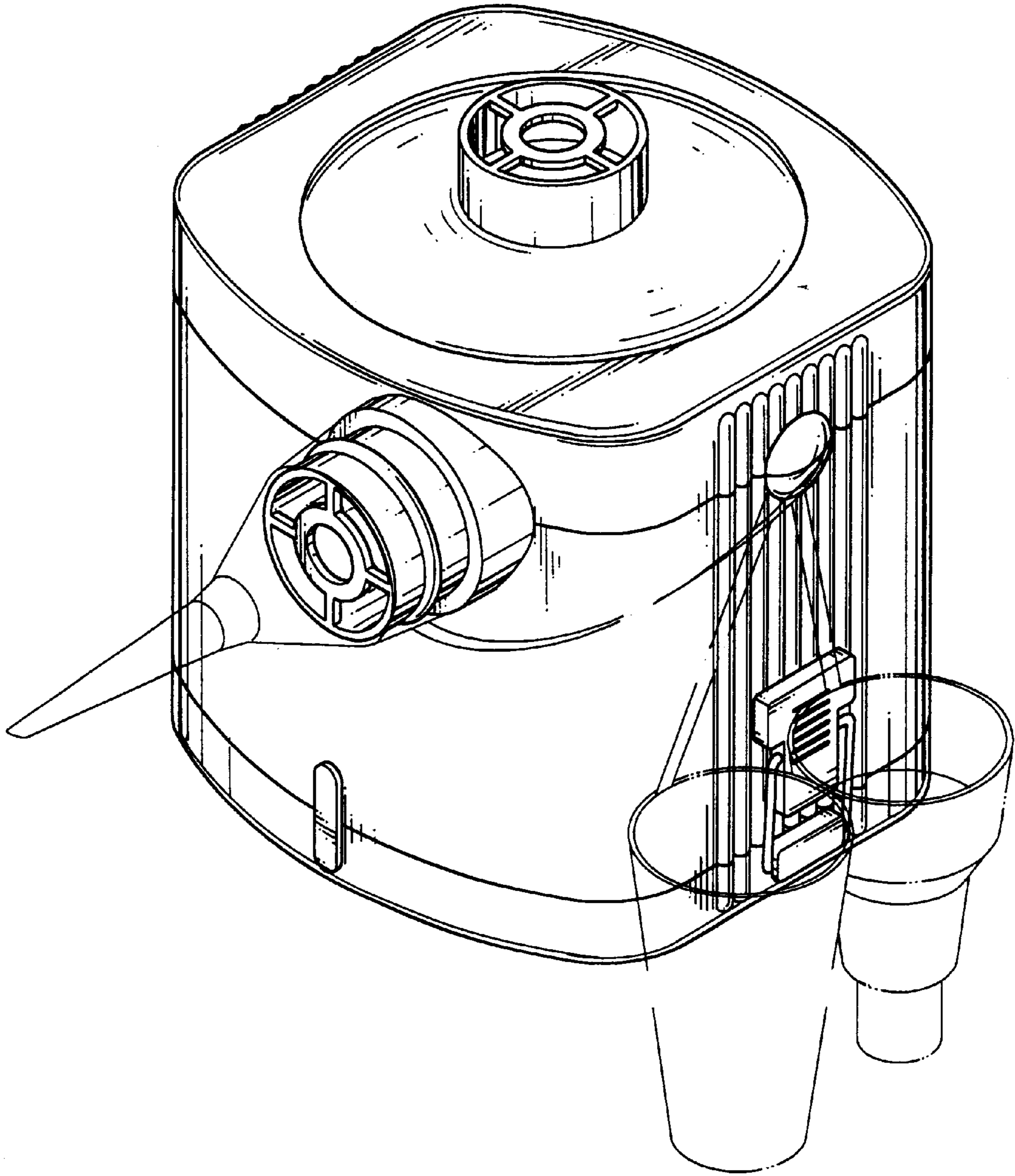


FIG. 10

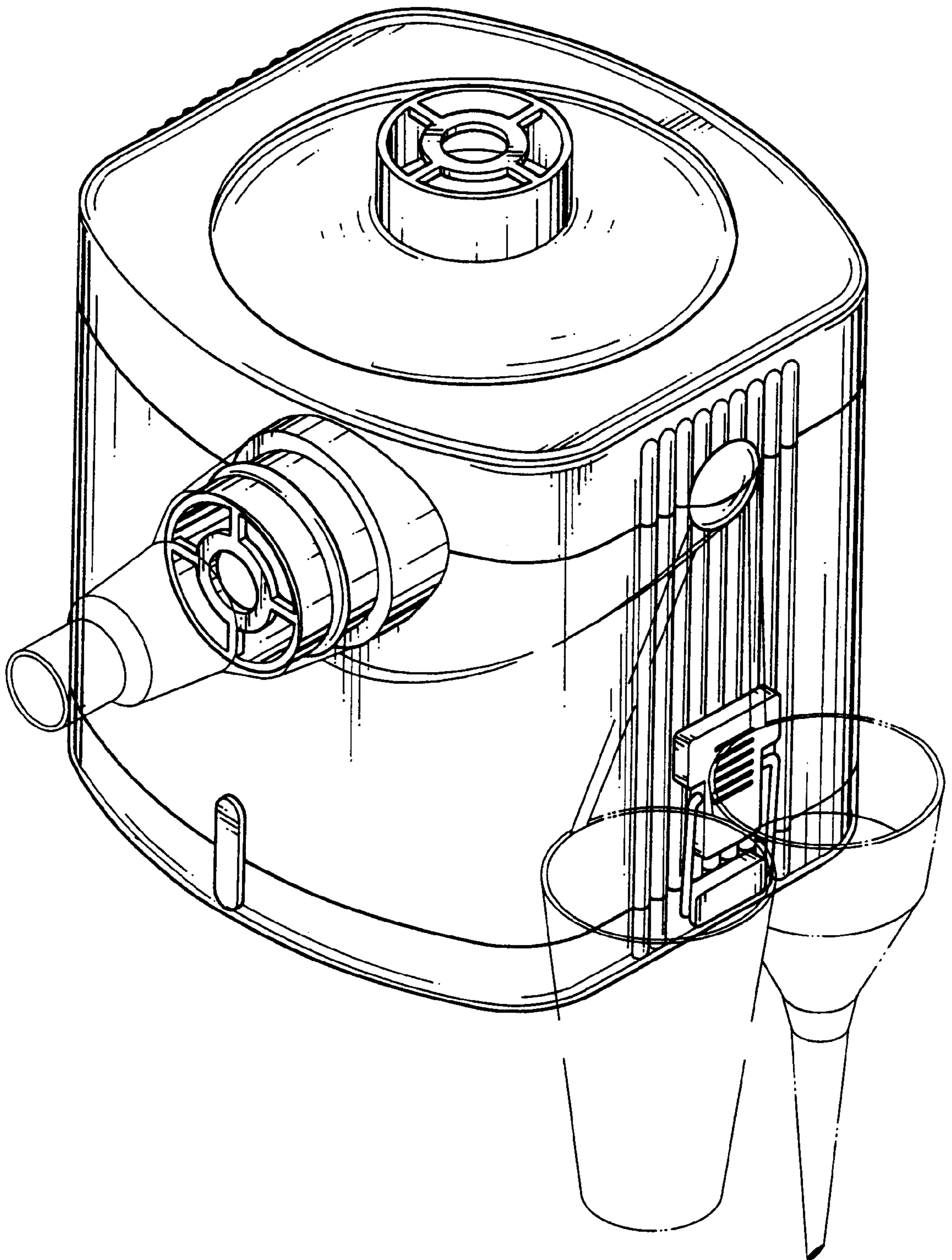


FIG.11