



US00D445800S

(12) **United States Design Patent**
Goetz

(10) **Patent No.:** **US D445,800 S**

(45) **Date of Patent:** **** Jul. 31, 2001**

(54) **TOP HOUSING FOR AN ELECTRONIC DEVICE**

(75) **Inventor:** **David Goetz**, Los Angeles, CA (US)

(73) **Assignee:** **Next Planet, Inc.**, Los Angeles, CA (US)

(**) **Term:** **14 Years**

(21) **Appl. No.:** **29/129,003**

(22) **Filed:** **Sep. 1, 2000**

(51) **LOC (7) Cl.** **14-99**

(52) **U.S. Cl.** **D14/483**

(58) **Field of Search** D21/332, 333, D21/324; D14/400, 401, 432-435, 496, 474-484; 273/148 B; 463/1, 30, 43-47; 242/345; 360/131-137, 900; 369/272, 275.1-275.5, 292, 283; 206/307, 308.1, 308.2, 308.3

(56) **References Cited**

U.S. PATENT DOCUMENTS

- D. 370,480 * 6/1996 Bailey et al. D14/483
- D. 412,160 * 7/1999 Nelson D14/435
- D. 435,871 * 1/2001 Yu D21/333

- D. 438,544 * 3/2001 Pearce et al. D14/483
- D. 440,574 * 4/2001 Pearce et al. D14/483
- 5,151,894 * 9/1992 Fujita 360/133
- 5,192,082 * 3/1993 Inoue et al. 463/44
- 5,694,278 * 12/1997 Summer 360/133

* cited by examiner

Primary Examiner—Prabhakar Deshmukh

(74) *Attorney, Agent, or Firm*—George Gin-Chong Tseng

(57) **CLAIM**

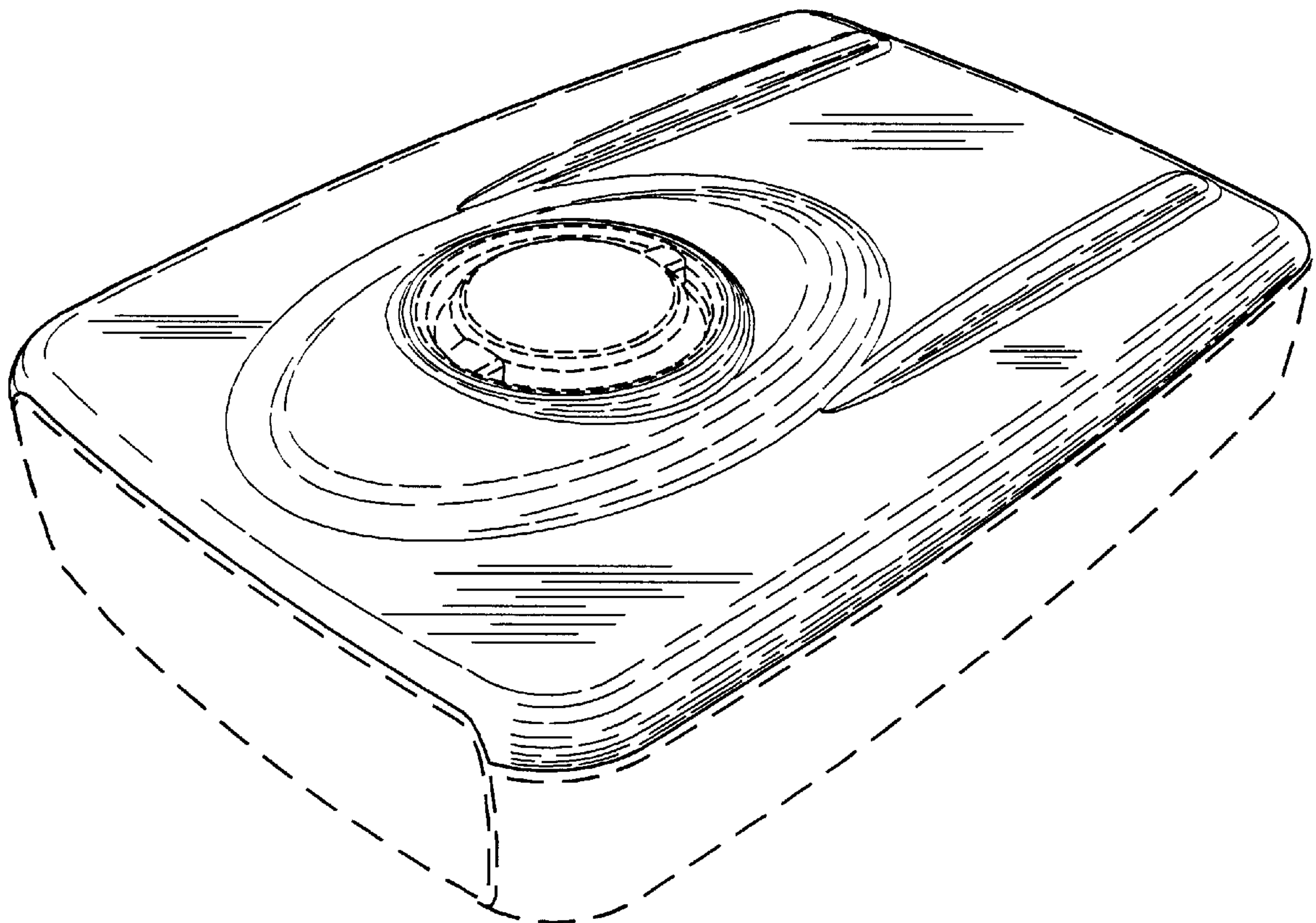
The ornamental design for a top housing for an electronic device, as shown and described.

DESCRIPTION

FIG. 1 is a front, top, right side perspective view of a top housing for an electronic device, showing my new design; FIG. 2 is a top plan view thereof; FIG. 3 is a left side elevation view thereof; FIG. 4 is a right side elevation view thereof; FIG. 5 is a front side elevation view thereof; and, FIG. 6 is a back side elevation view thereof.

The broken lines are for illustrative purpose only and forms no part of the claimed design.

1 Claim, 6 Drawing Sheets



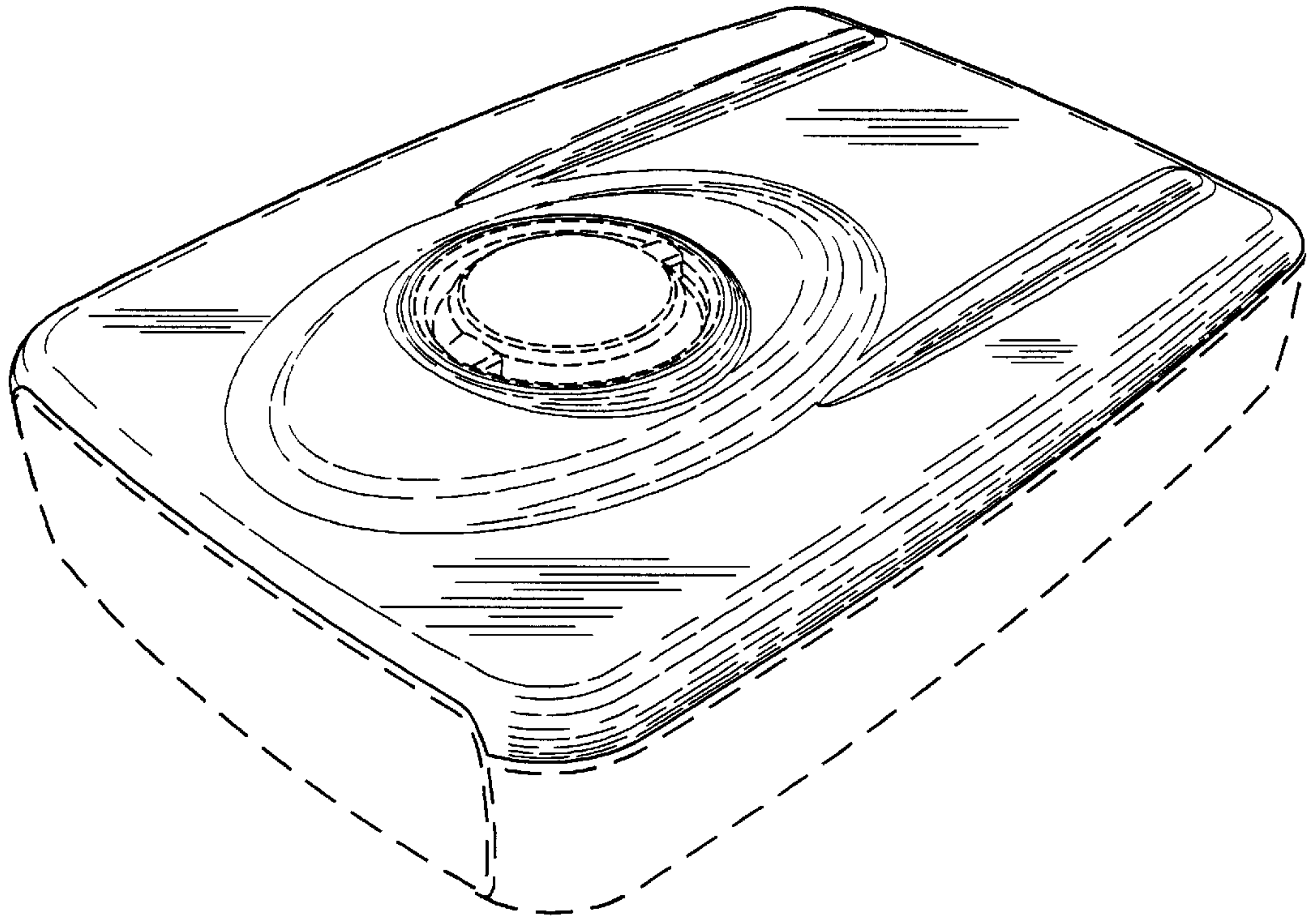


Fig. 1

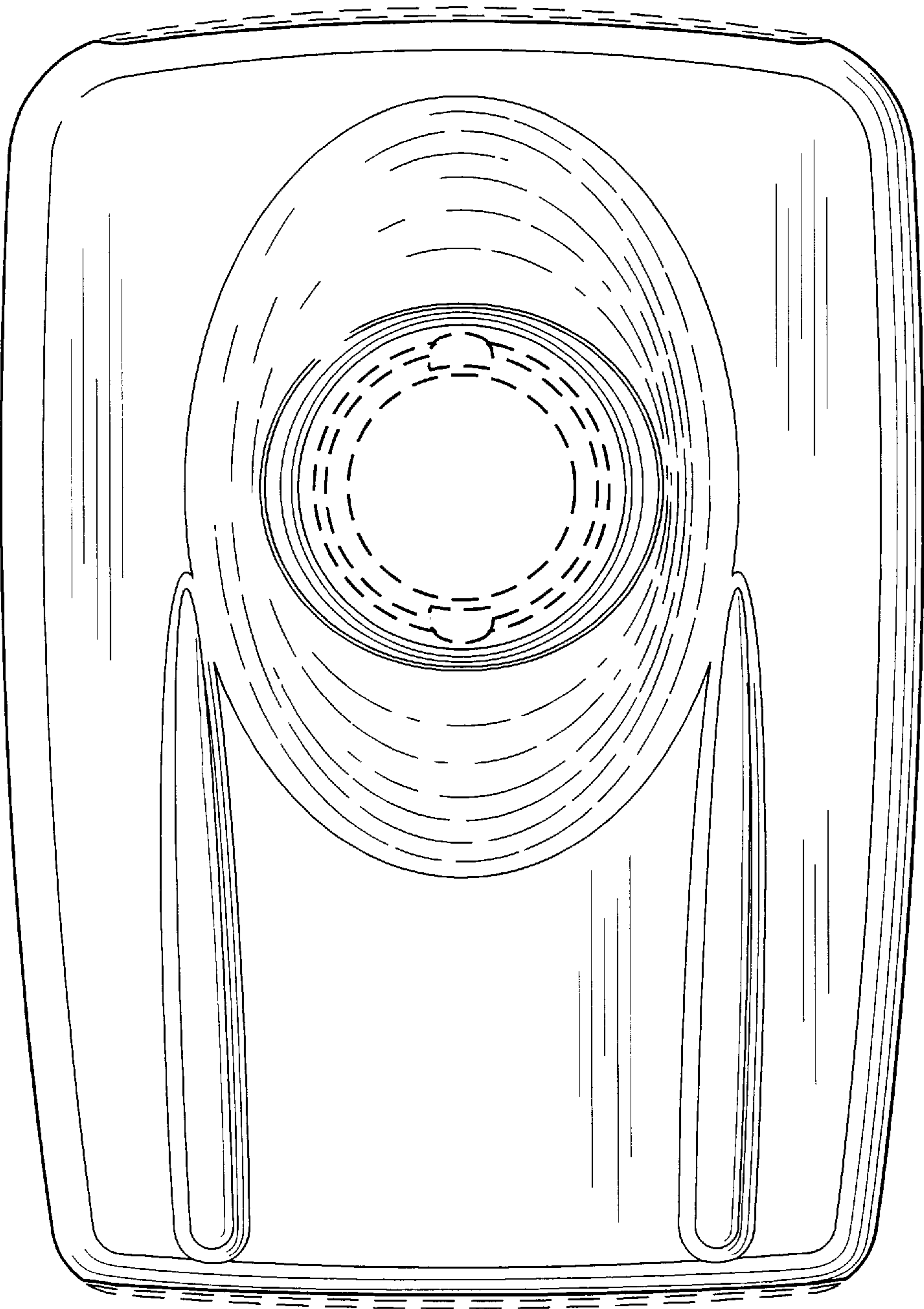


Fig. 2

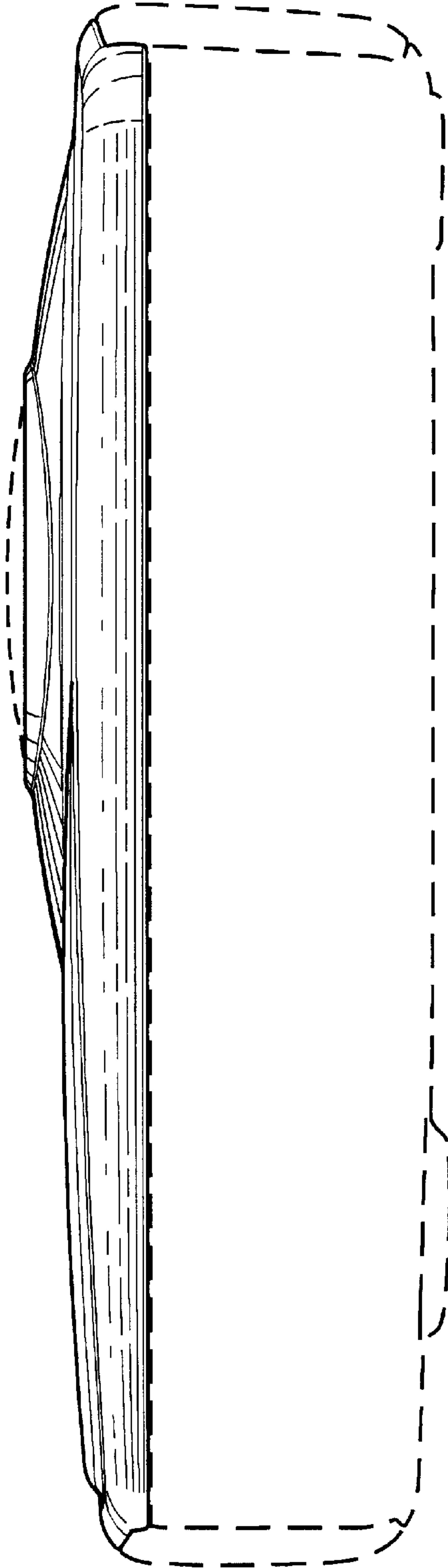


Fig. 3

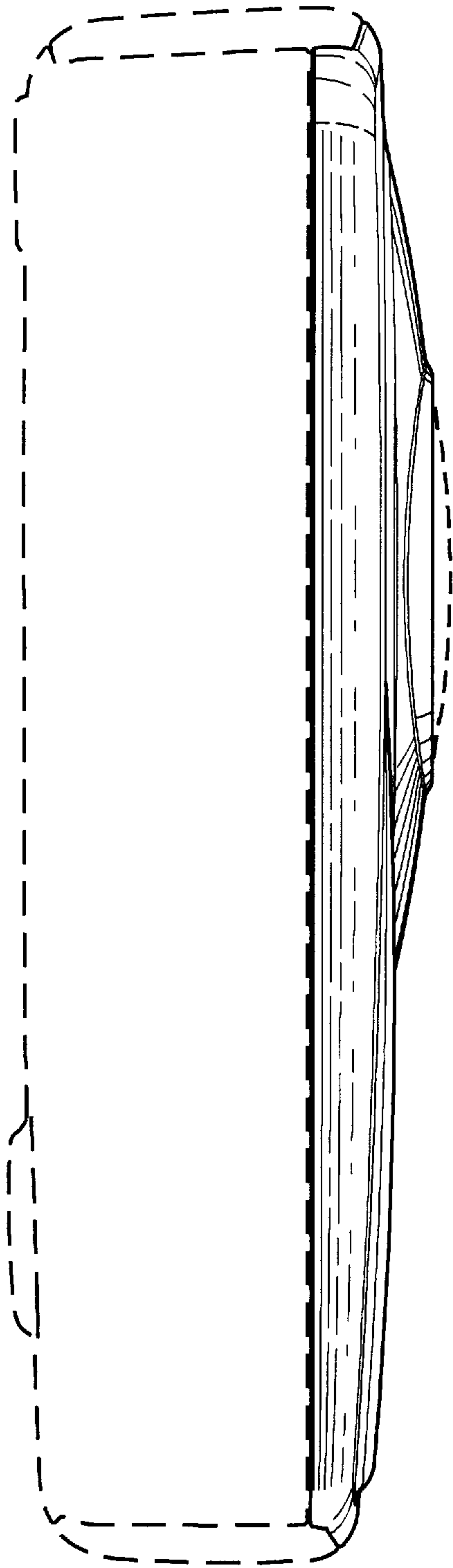


Fig. 4

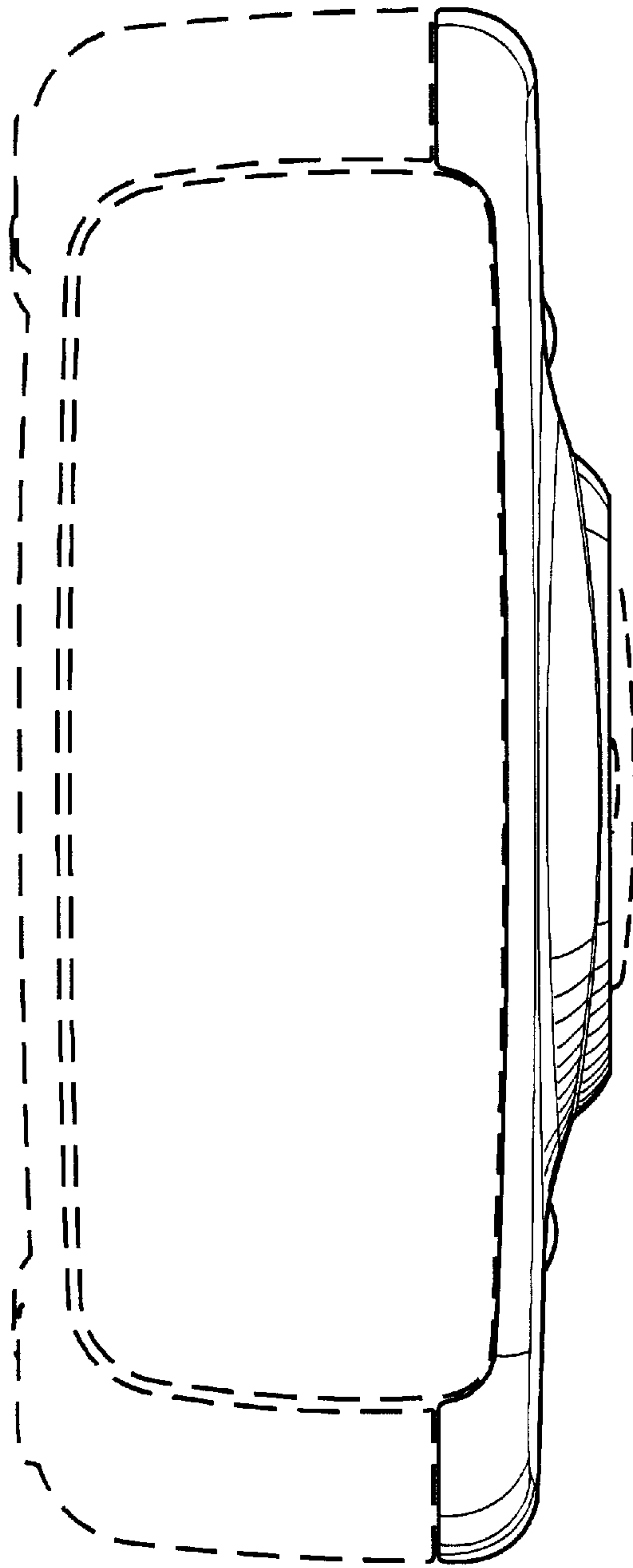


Fig. 5

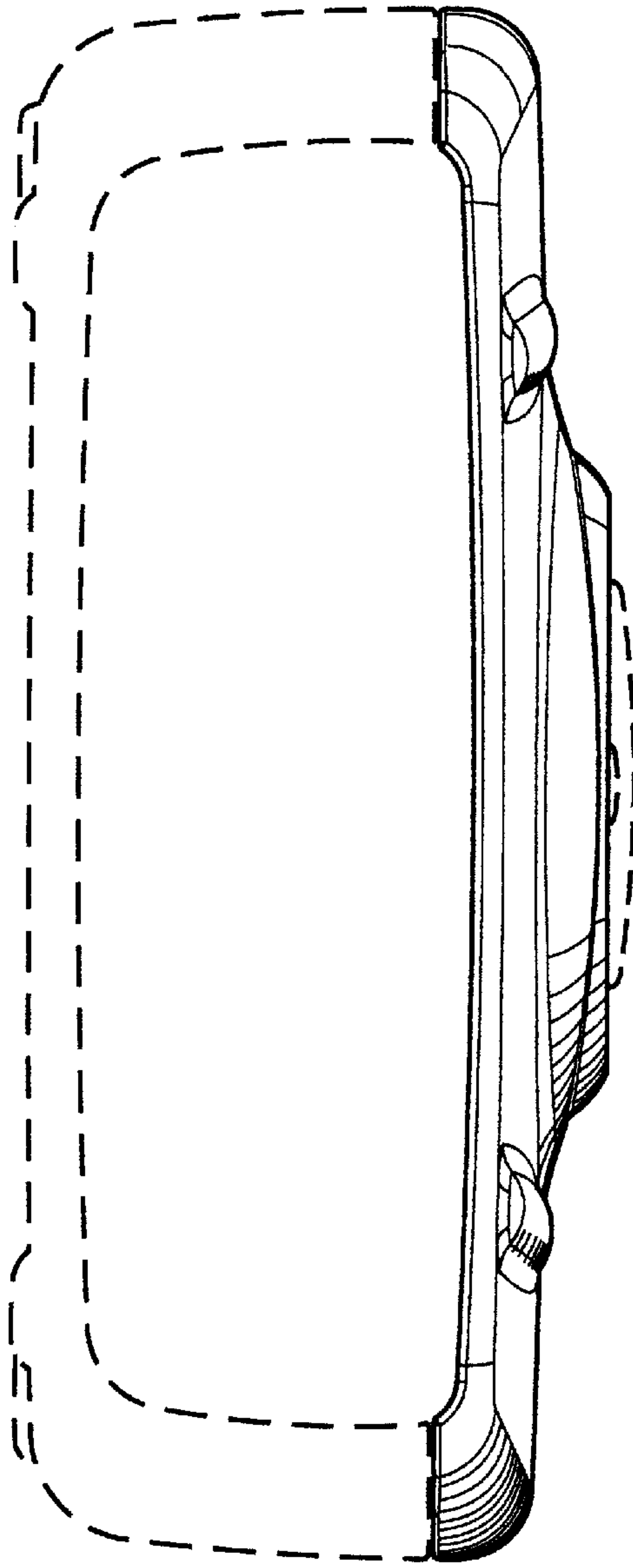


Fig. 6