



US00D445797S

(12) **United States Design Patent**
Lee et al.

(10) **Patent No.:** **US D445,797 S**

(45) **Date of Patent:** **** Jul. 31, 2001**

(54) **MEMORY CARD**

(75) Inventors: **Joon-Ki Lee**, Seoul; **Ki-Won Choi**, Suwon; **Young-Shin Kwon**, Chunan, all of (KR)

(73) Assignee: **Samsung Electronics Co., Ltd.**, Suwon (KR)

(**) Term: **14 Years**

(21) Appl. No.: **29/122,561**

(22) Filed: **Apr. 28, 2000**

(30) **Foreign Application Priority Data**

Dec. 2, 1999 (KR) 99-29079

(51) **LOC (7) Cl.** **14-02**

(52) **U.S. Cl.** **D14/436**

(58) **Field of Search** D14/435-38, 478-80; 361/737, 686, 736, 752; 257/678-9; 40/124.01; 283/75-6, 901; 235/487-95, 441-3, 375; 174/52.1; 439/135, 140, 76.1

(56) **References Cited**

U.S. PATENT DOCUMENTS

D. 320,225 * 9/1991 Ido et al. .

D. 370,904 * 6/1996 Nakata et al. .

D. 375,941 * 11/1996 Kerklaan .

D. 415,132 * 10/1999 Homma et al. .

D. 416,886 * 11/1999 Hirai et al. .

* cited by examiner

Primary Examiner—M. H. Tung

(74) *Attorney, Agent, or Firm*—Ladas & Parry

(57) **CLAIM**

The ornamental design for a memory card, as shown.

DESCRIPTION

FIG. 1 is a perspective view showing our design;

FIG. 2 is a front view thereof;

FIG. 3 is a rear view thereof;

FIG. 4 is a left-side view thereof;

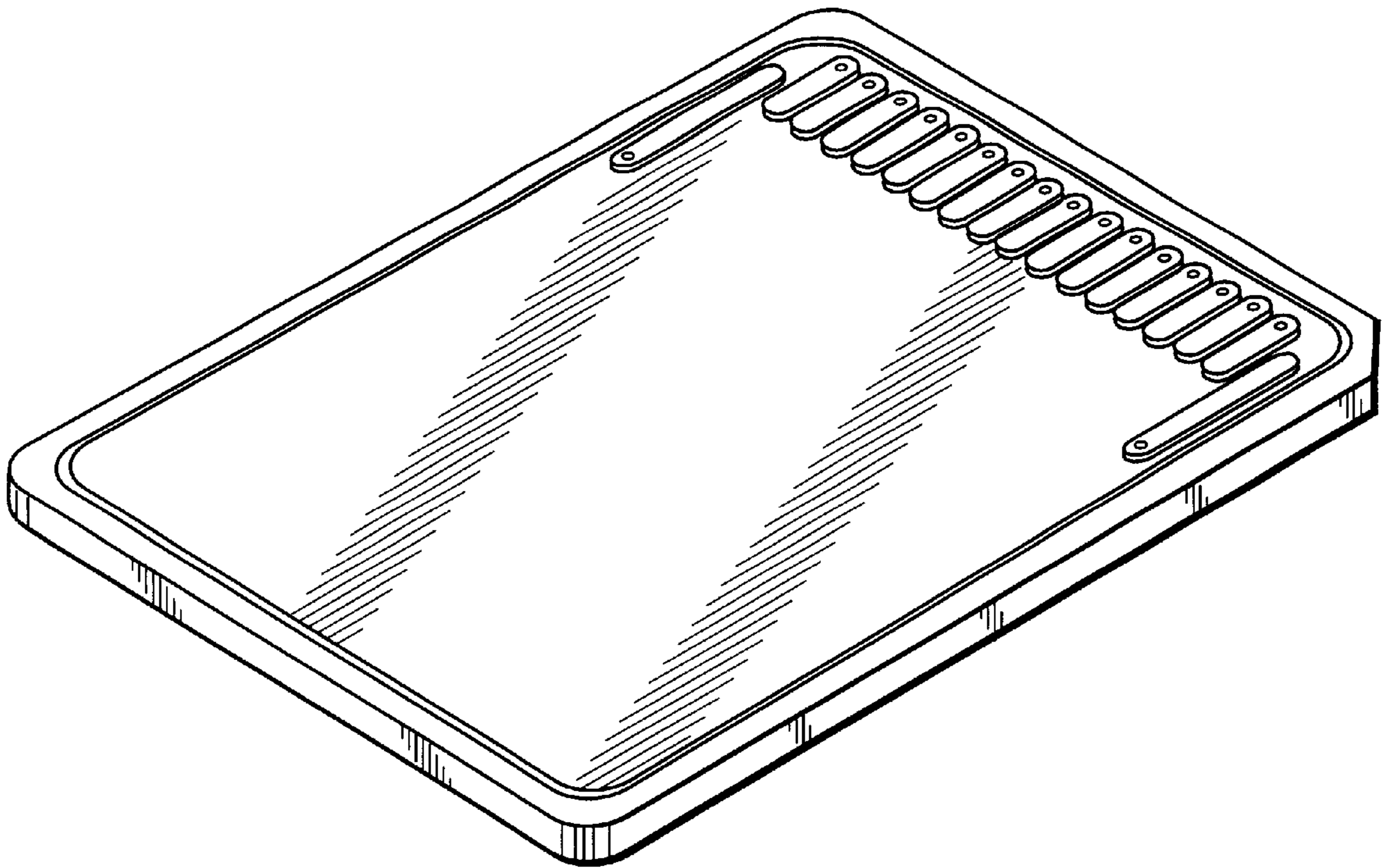
FIG. 5 is a right-side view thereof;

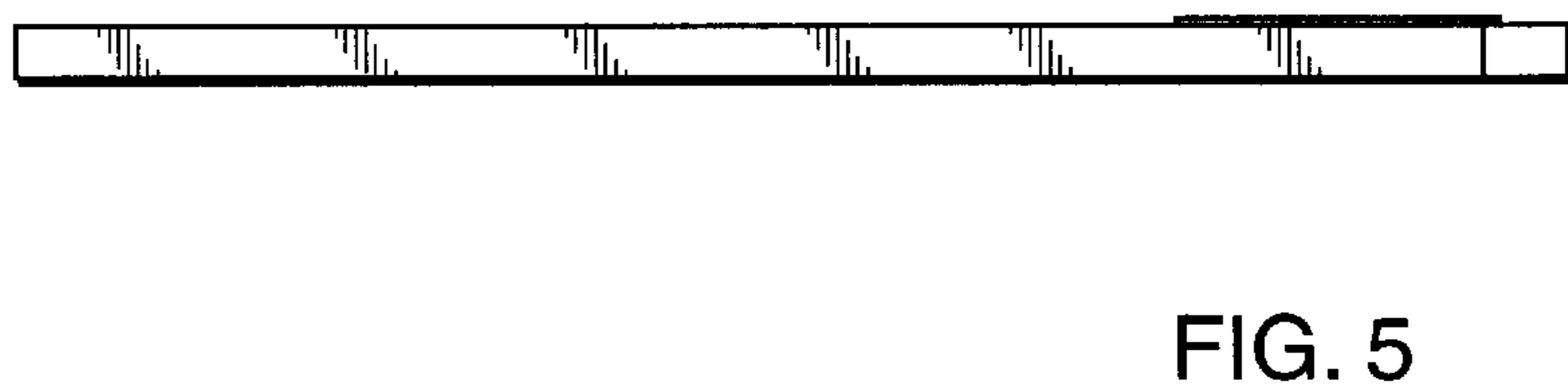
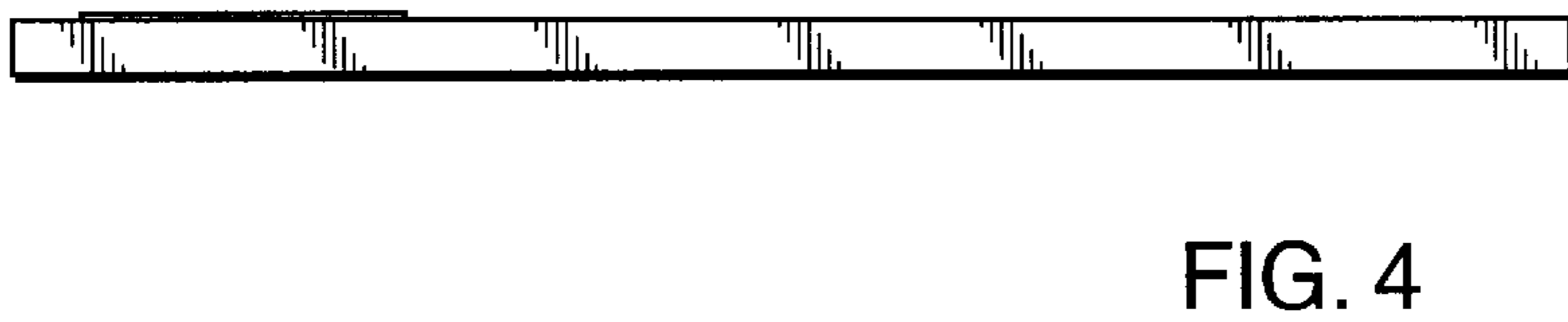
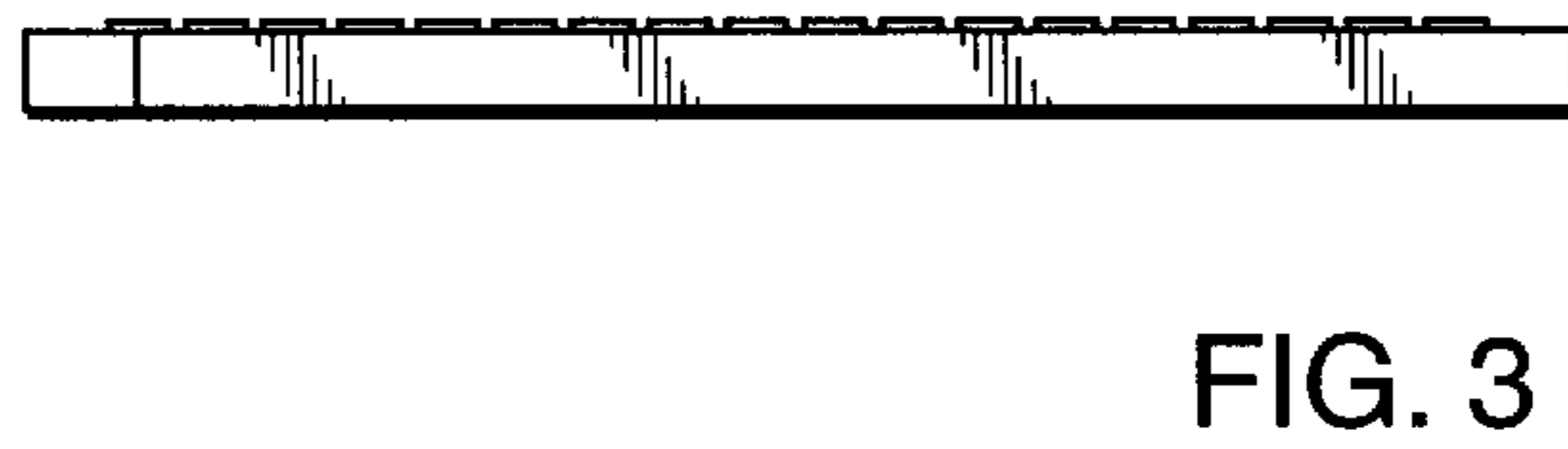
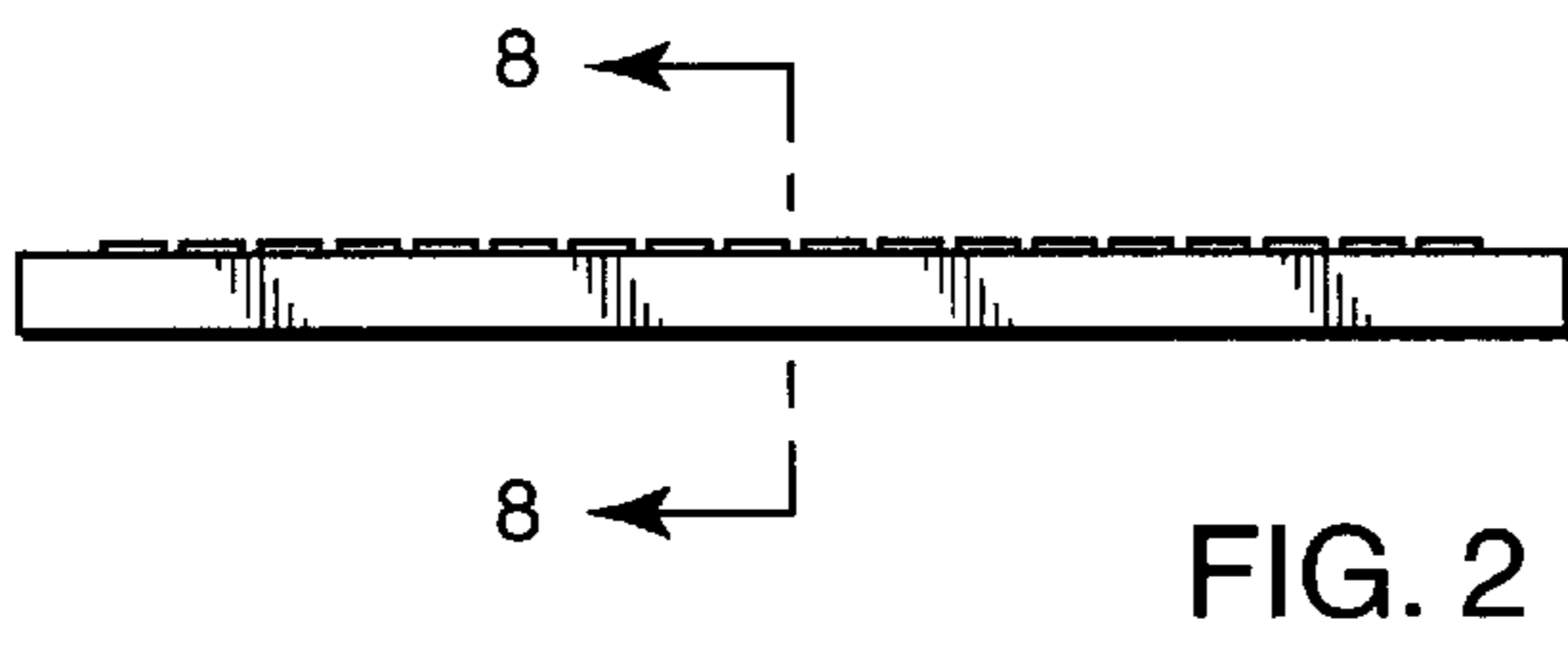
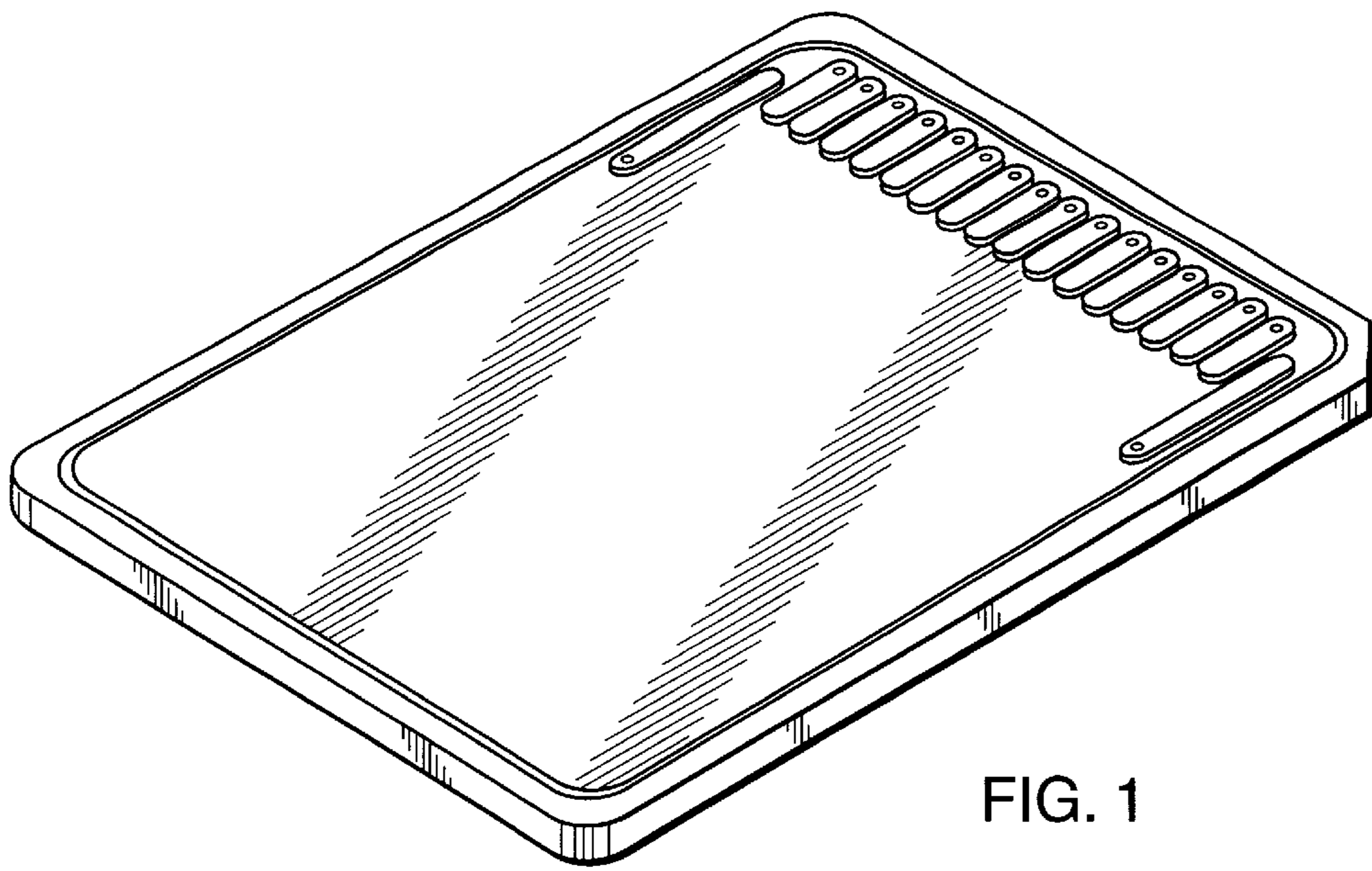
FIG. 6 is a top plan view thereof;

FIG. 7 is a bottom plan view thereof; and,

FIG. 8 is a section view thereof as shown by lines 8—8 in FIG. 2.

1 Claim, 2 Drawing Sheets





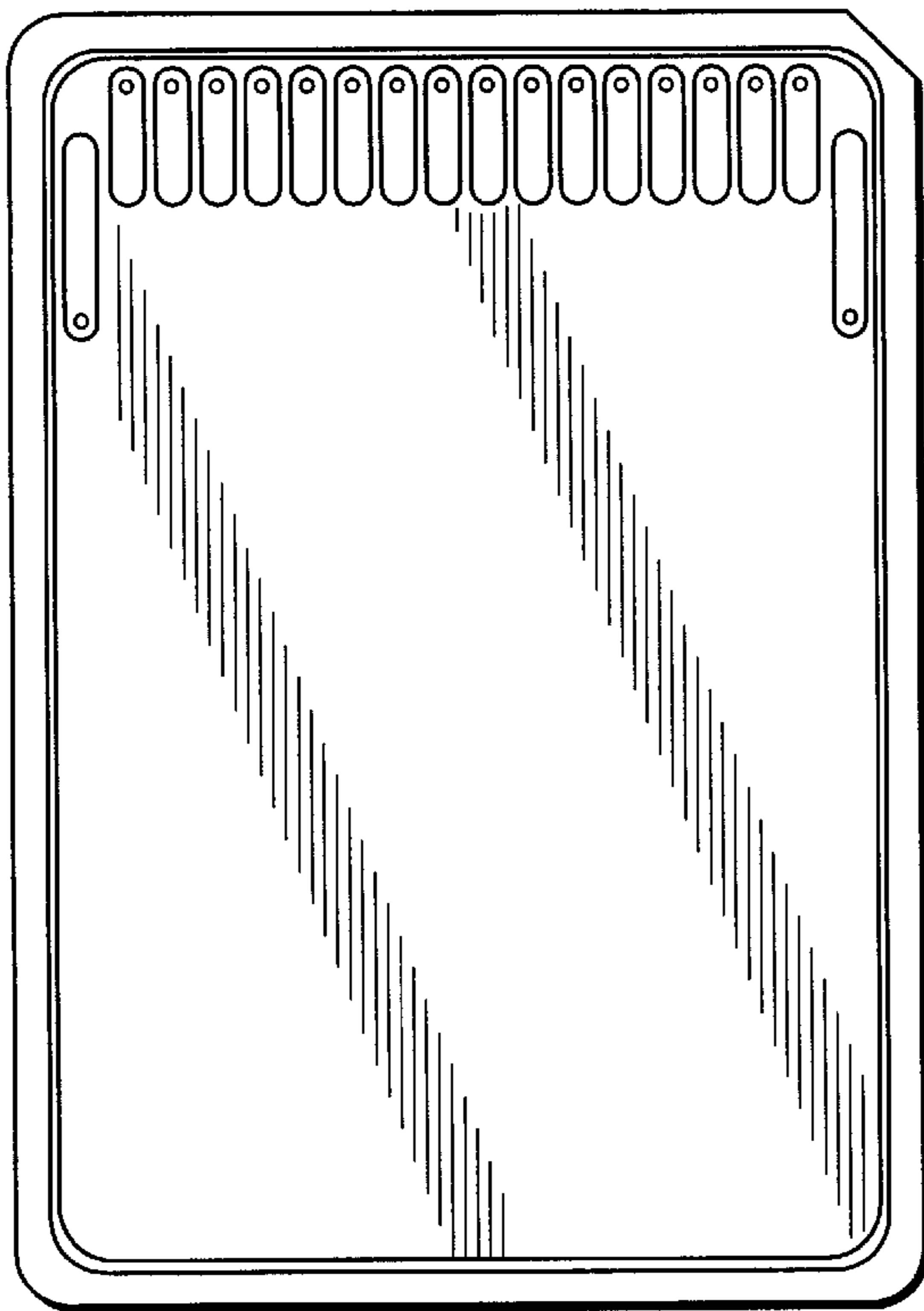


FIG. 6

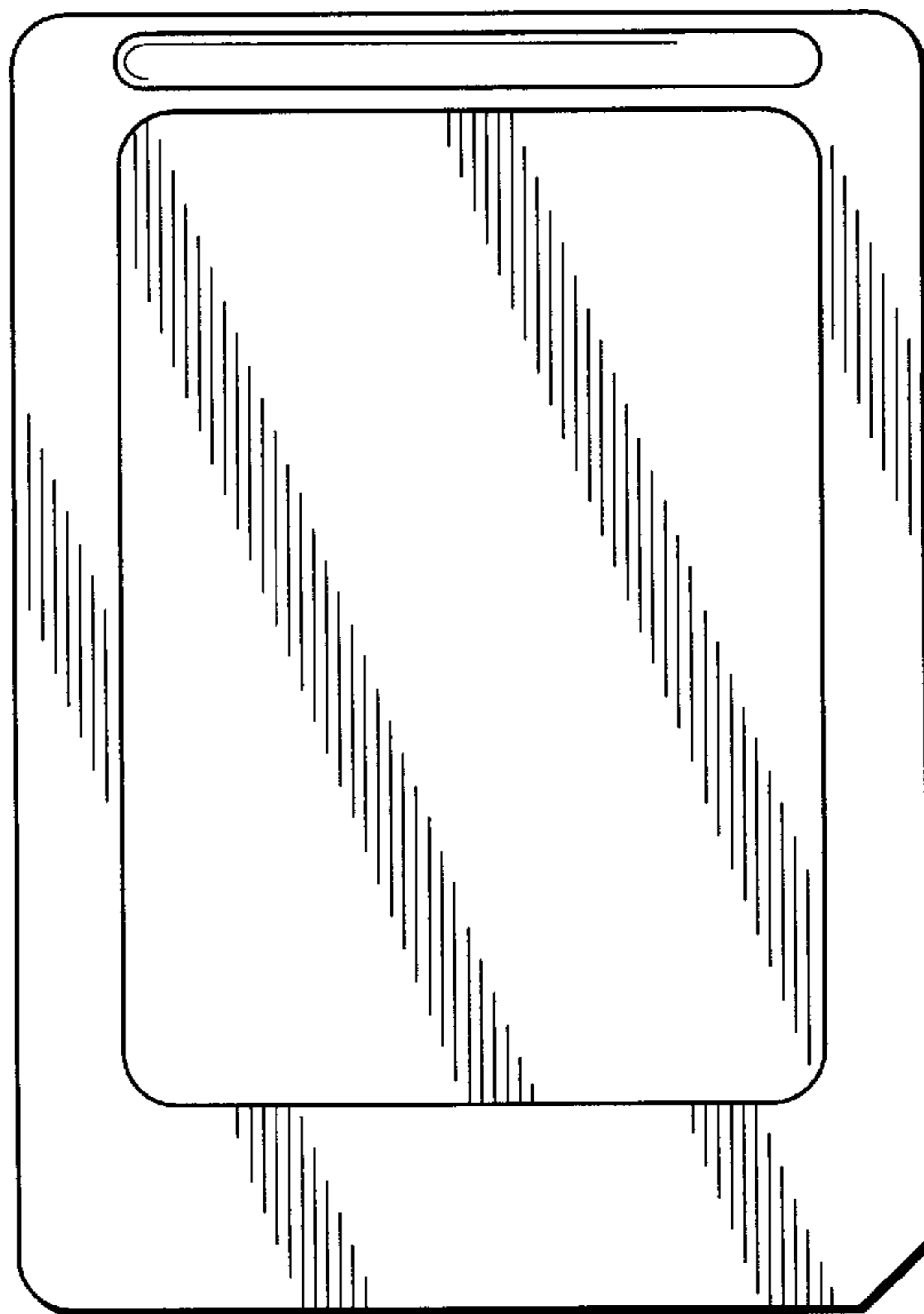


FIG. 7

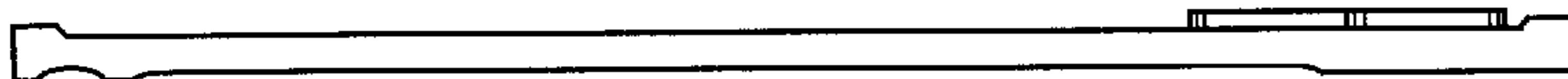


FIG. 8