



US00D445791S

(12) **United States Design Patent**  
Ito et al.

(10) **Patent No.:** **US D445,791 S**

(45) **Date of Patent:** **\*\* Jul. 31, 2001**

(54) **OPTICAL DISC DRIVE**

D. 386,482 \* 11/1997 Ito et al. .... D14/368  
D. 389,128 \* 1/1998 Ito et al. .... D14/368

(75) Inventors: **Masafumi Ito; Shigeru Hasegawa;  
Hiroyuki Watanabe; Katsuhiro  
Takashima**, all of Musashino (JP)

\* cited by examiner

(73) Assignee: **TEAC Corporation**, Tokyo (JP)

*Primary Examiner*—Freda Nunn

(74) *Attorney, Agent, or Firm*—Ladas & Parry

(\*\*) Term: **14 Years**

(57) **CLAIM**

(21) Appl. No.: **29/129,430**

The ornamental design for an optical disc drive, as shown and described.

(22) Filed: **Sep. 13, 2000**

(30) **Foreign Application Priority Data**

**DESCRIPTION**

Mar. 27, 2000 (JP) ..... 12-007340

FIG. 1 is a perspective view of an optical disc drive showing our new design;

(51) **LOC (7) Cl.** ..... **14-02**

FIG. 2 is a front view thereof;

(52) **U.S. Cl.** ..... **D14/368; D14/136**

FIG. 3 is a rear view thereof;

(58) **Field of Search** ..... D14/356, 363,  
D14/365, 368, 355, 135, 136, 156; D13/162,  
184, 199; 312/223.1, 223.2, 223.3; 360/99.12;  
369/34, 36; 361/694, 696

FIG. 4 is a top view thereof;

FIG. 5 is a bottom view thereof; and,

FIG. 6 is a left side view thereof, the right side view being a mirror image of the left side.

(56) **References Cited**

**U.S. PATENT DOCUMENTS**

D. 384,045 \* 9/1997 Ito et al. .... D14/368

**1 Claim, 2 Drawing Sheets**

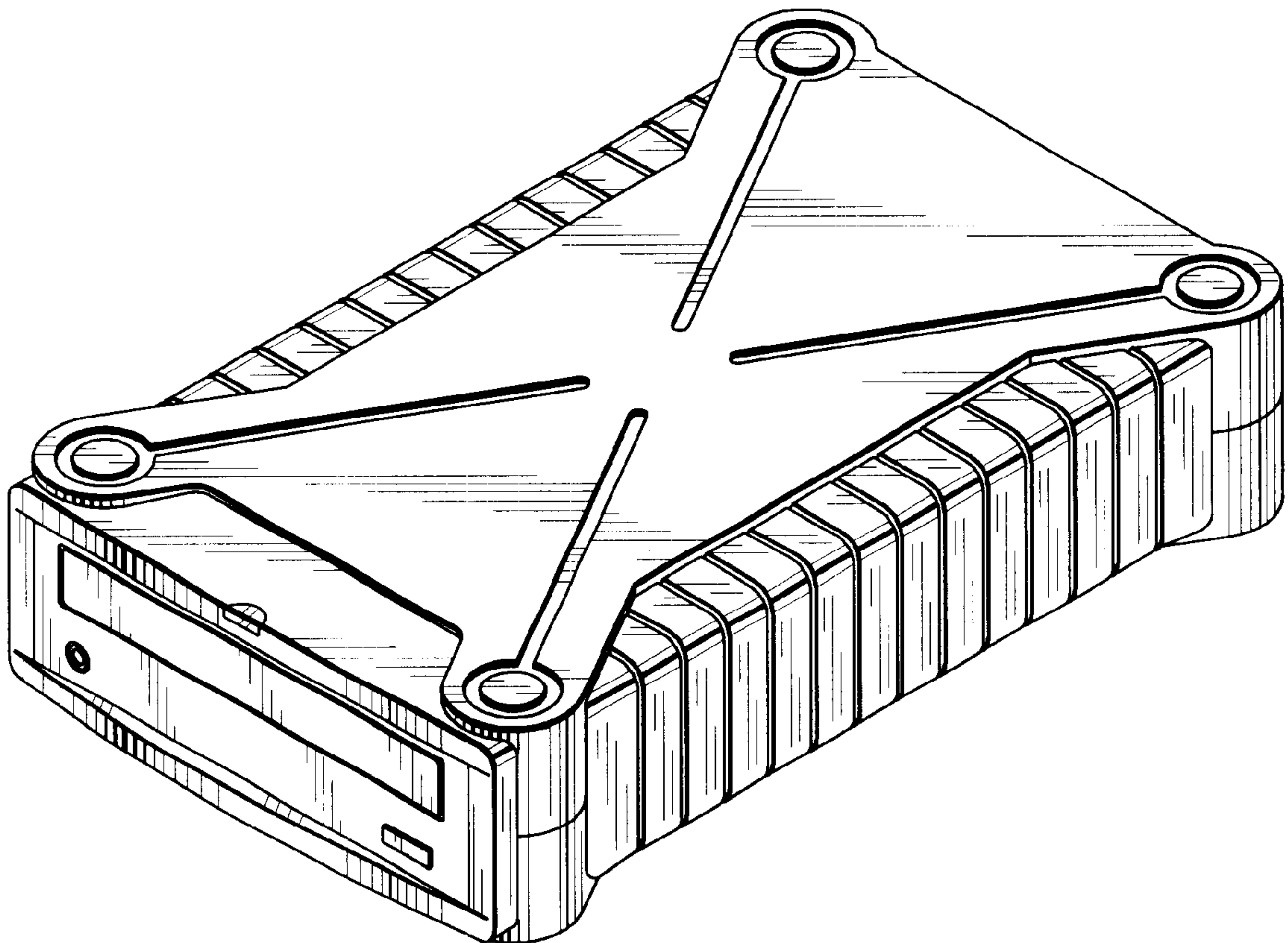


FIG. 1

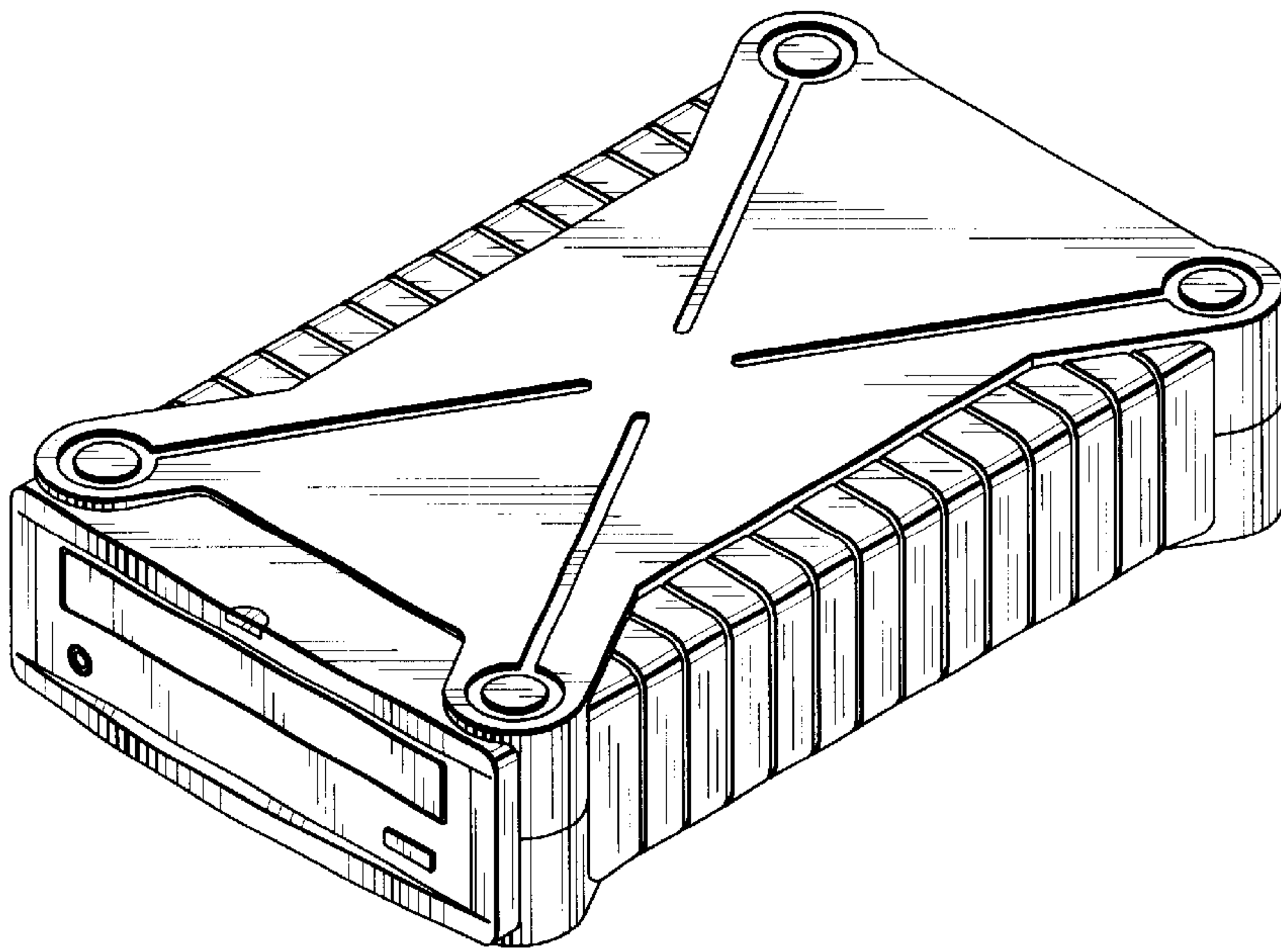


FIG. 2



FIG. 3

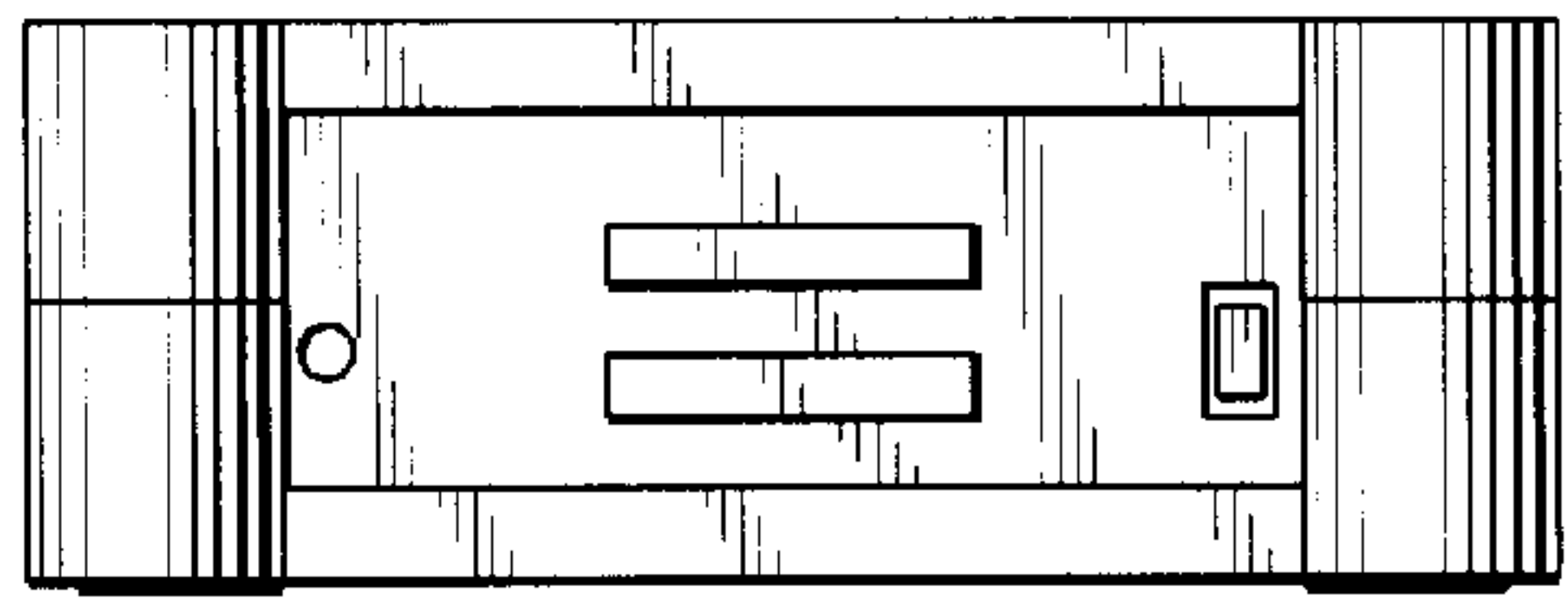


FIG.4

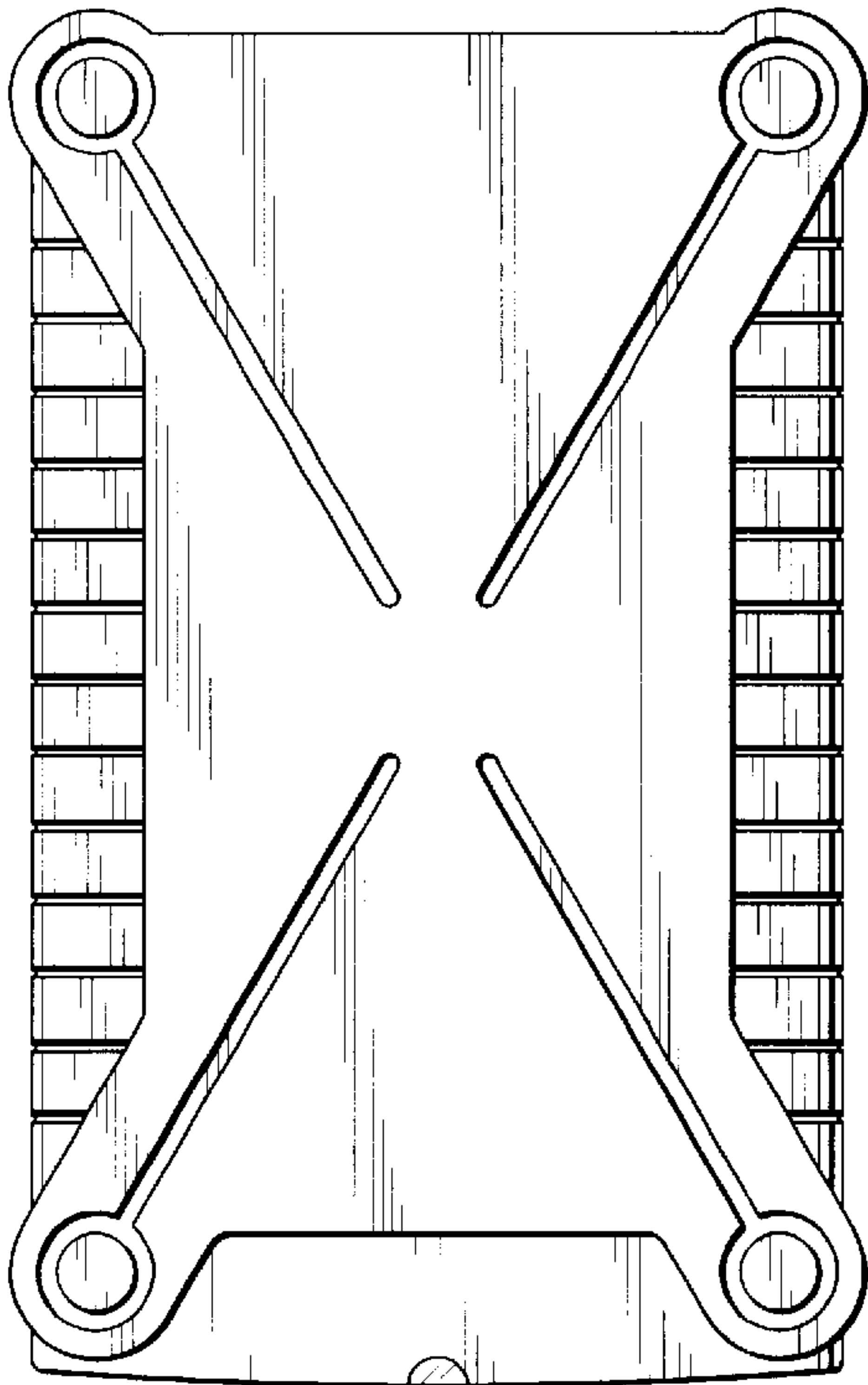


FIG.5

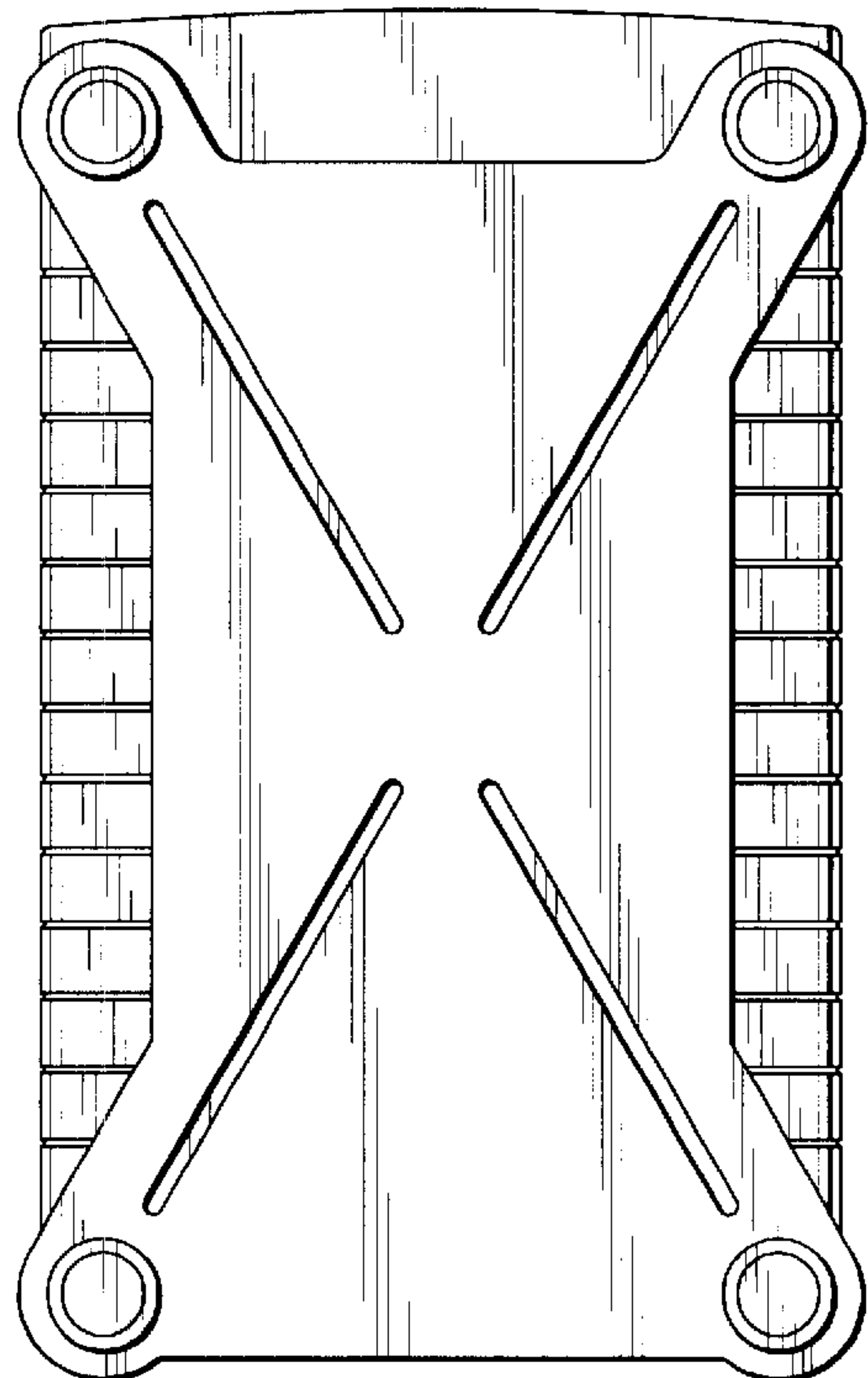


FIG.6

