



US00D445790S

(12) **United States Design Patent**  
**Costello et al.**

(10) **Patent No.:** **US D445,790 S**

(45) **Date of Patent:** **\*\* Jul. 31, 2001**

(54) **DISK DRIVE ENCLOSURE**

(75) Inventors: **Damien Costello; Ken O'Leary; Philip Bannister**, all of Dublin (IE)

(73) Assignee: **Richmount Computers Limited**, Dublin (IE)

(\*\*) Term: **14 Years**

(21) Appl. No.: **29/132,523**

(22) Filed: **Nov. 9, 2000**

(51) **LOC (7) Cl.** ..... **14-02**

(52) **U.S. Cl.** ..... **D14/363**

(58) **Field of Search** ..... D14/348, 349,  
D14/351-354, 356, 363; D13/162, 184,  
199; 312/223.1-223.3; 360/99.12; 361/690-696;  
369/34, 36

(56) **References Cited**

**U.S. PATENT DOCUMENTS**

D. 294,261 \* 2/1988 Alfonso ..... D14/351

D. 363,465 \* 10/1995 Daniels et al. .... D14/352

D. 366,028 \* 1/1996 Martin et al. .... D14/352

D. 382,858 \* 8/1997 Gray et al. .... D14/349

\* cited by examiner

*Primary Examiner*—Freda Nunn

(74) *Attorney, Agent, or Firm*—Oppedahl & Larson LLP

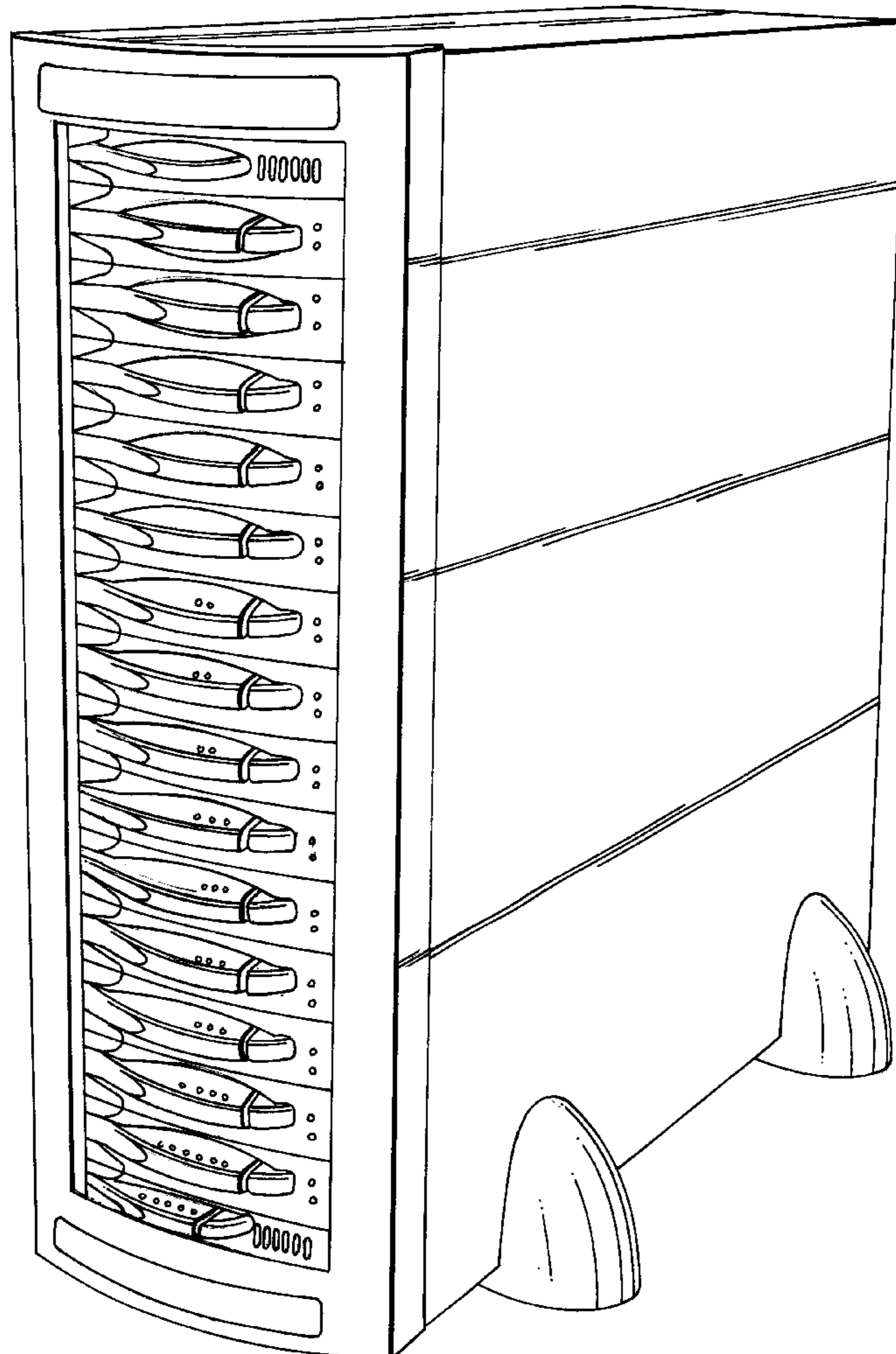
(57) **CLAIM**

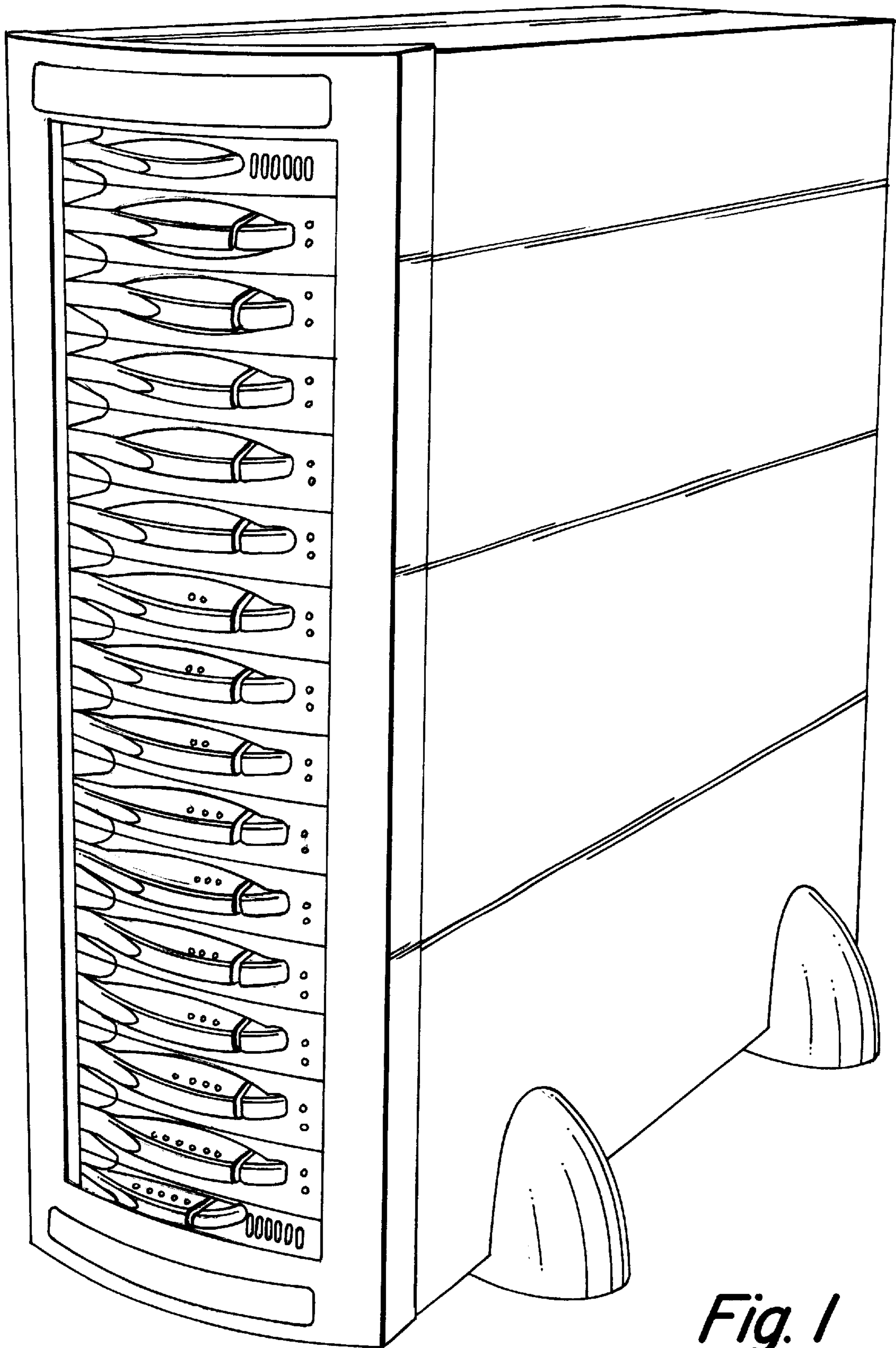
The ornamental design for a disk drive enclosure, as shown and described.

**DESCRIPTION**

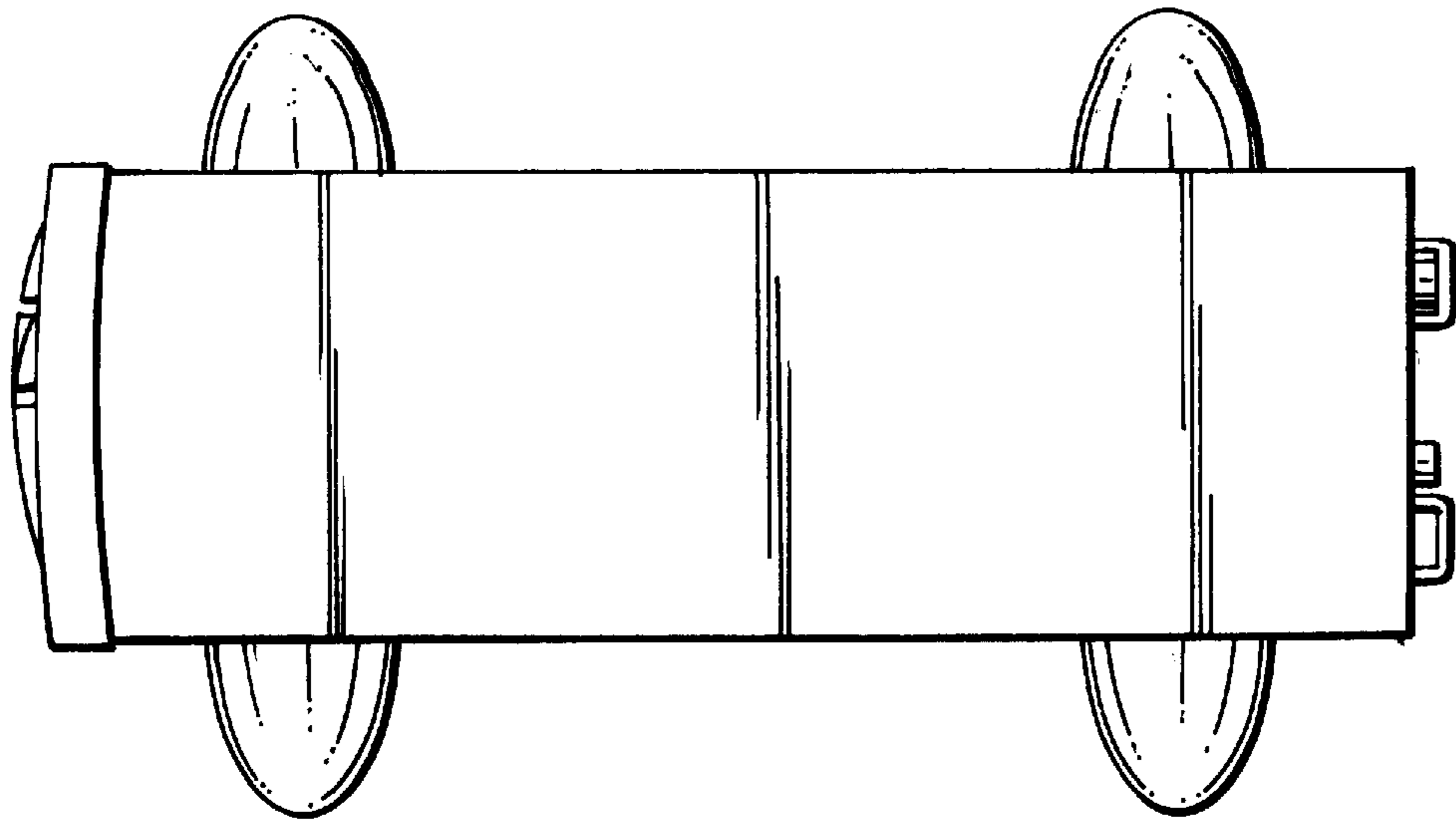
FIG. 1 is a perspective front view of the disk drive enclosure; FIG. 2 is a top view; FIG. 3 is a right side view; FIG. 4 is a left side view; FIG. 5 is a bottom view; and, FIG. 6 is a rear view.

**1 Claim, 4 Drawing Sheets**

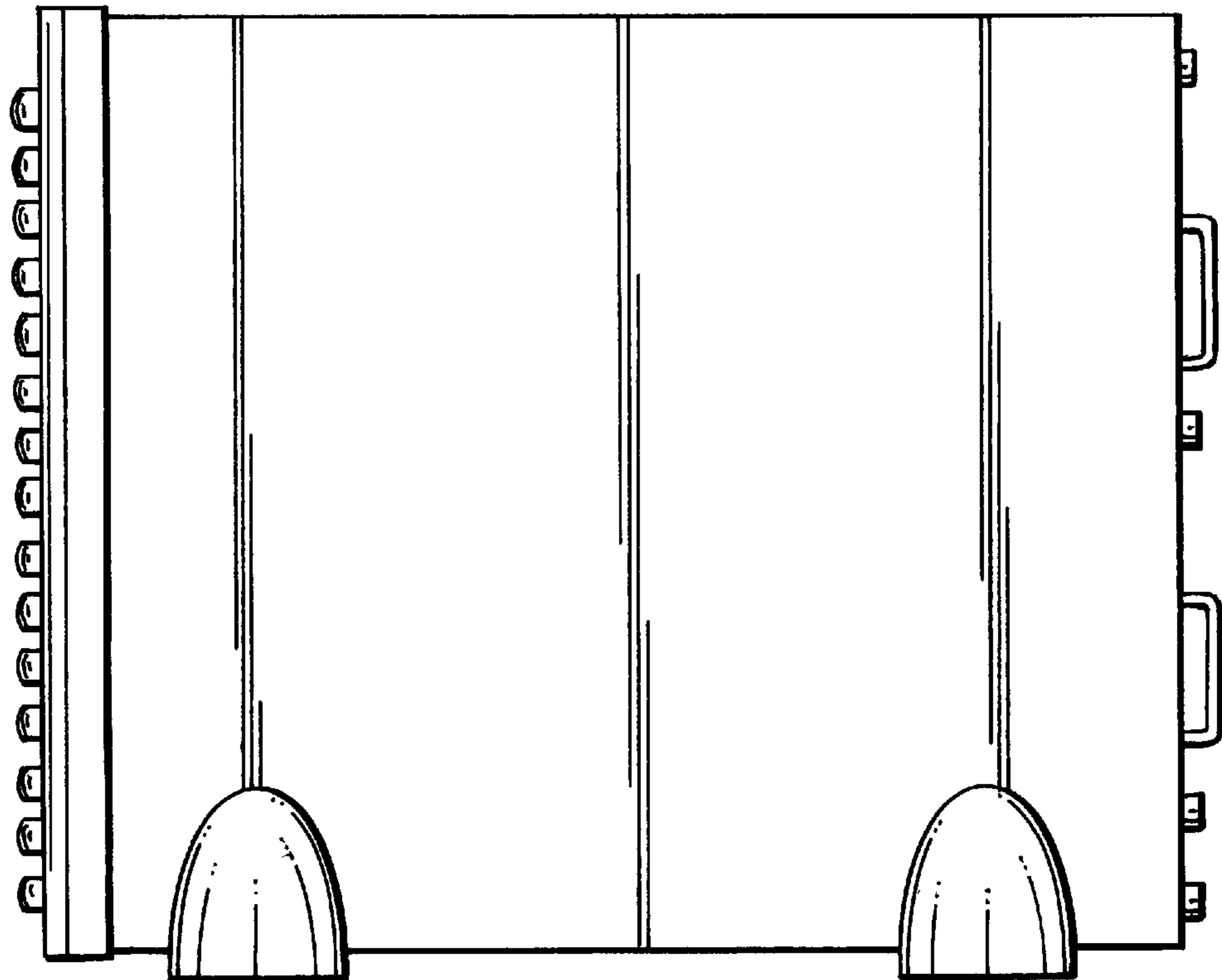




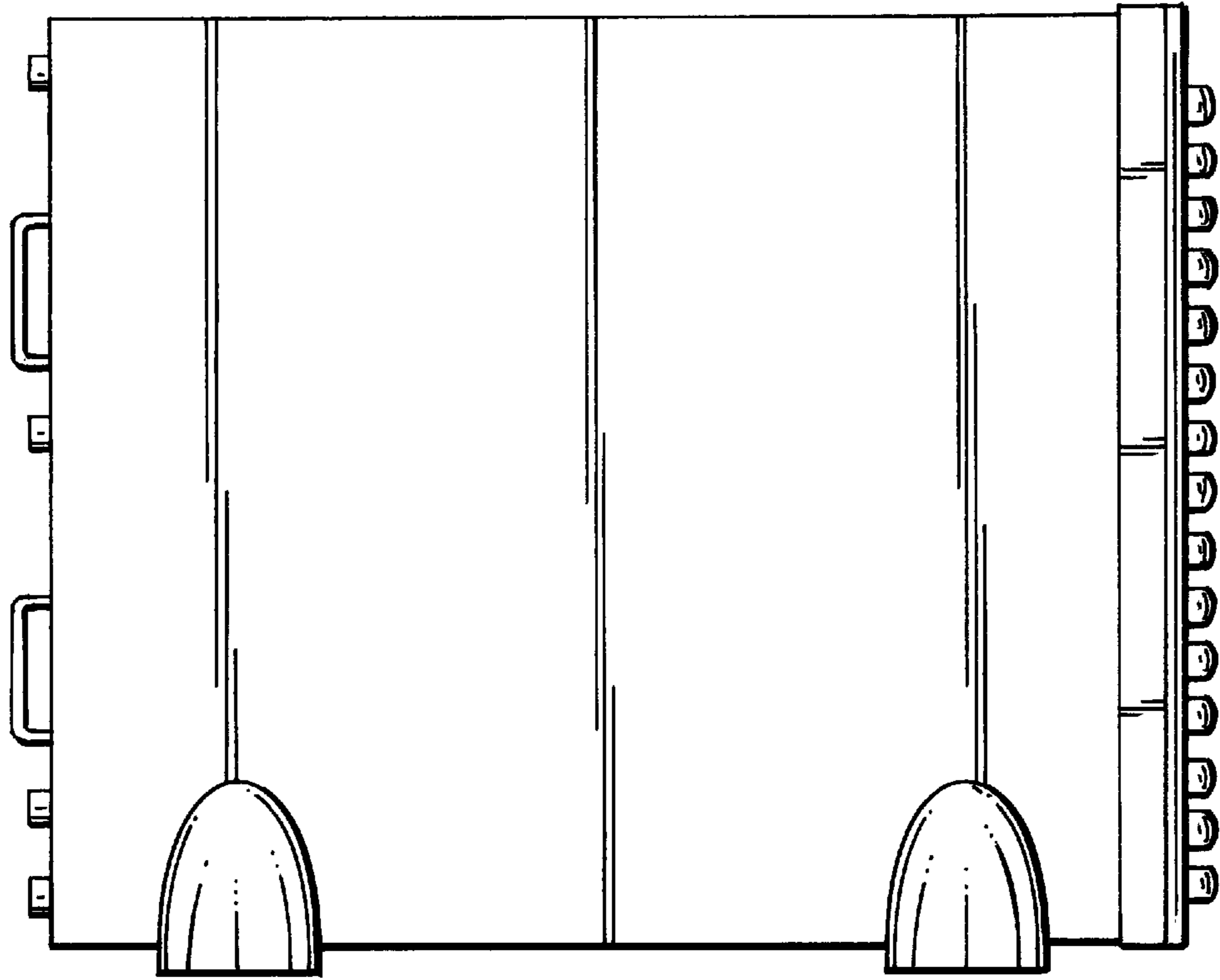
*Fig. 1*



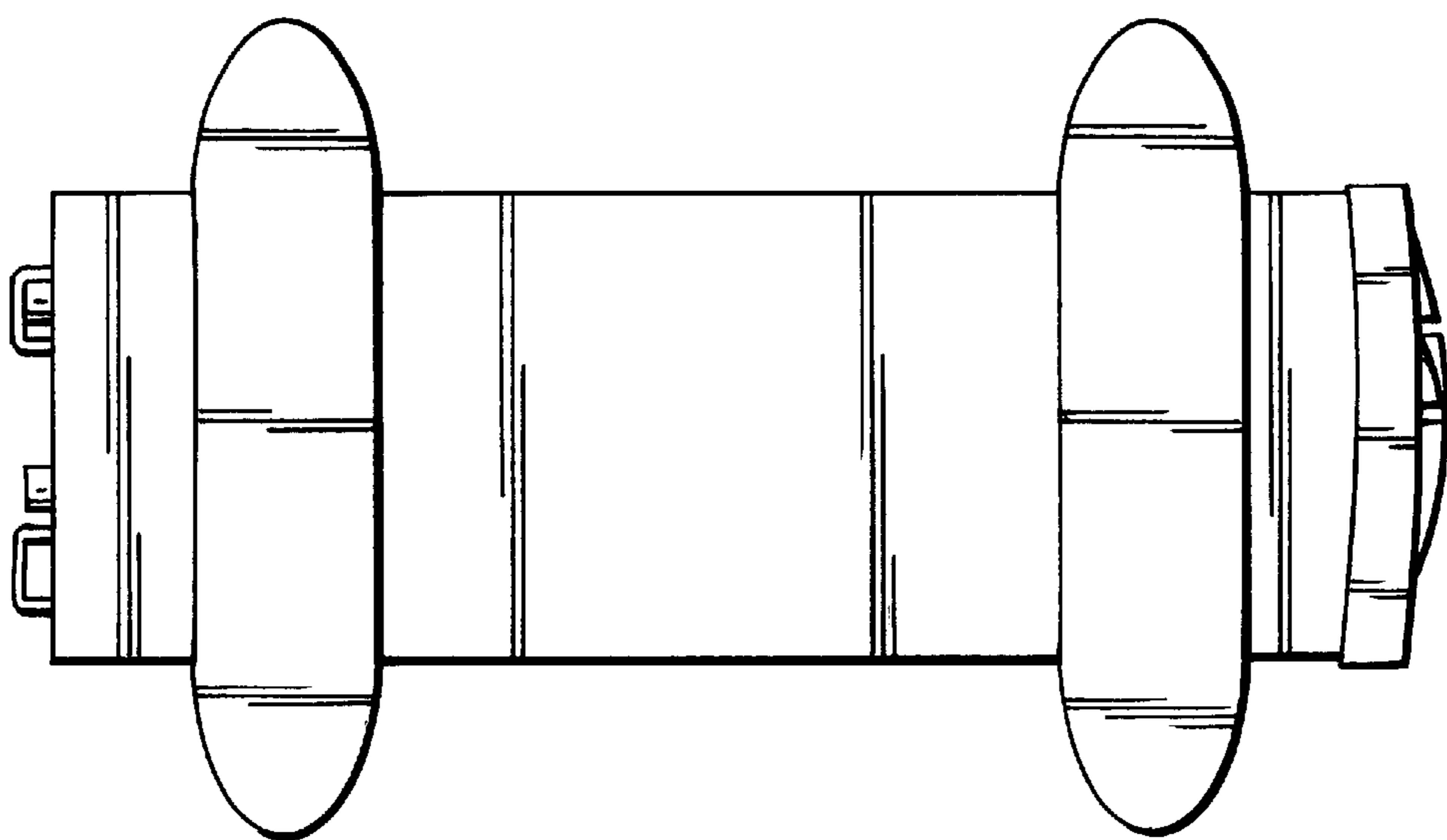
*Fig. 2*



*Fig. 3*



*Fig. 4*



*Fig. 5*

*Fig. 6*

