



US00D445786S

(12) **United States Design Patent**
Skelton

(10) **Patent No.:** **US D445,786 S**

(45) **Date of Patent:** **** Jul. 31, 2001**

(54) **HAND HELD COMPUTER**

(76) Inventor: **Eugene Skelton**, 20621 N. 74th Way,
Scottsdale, AZ (US) 85255

(**) Term: **14 Years**

(21) Appl. No.: **29/126,583**

(22) Filed: **Jul. 18, 2000**

(51) **LOC (7) Cl.** **14-02**

(52) **U.S. Cl.** **D14/341**

(58) **Field of Search** D14/341, 346,
D14/426, 429, 430, 218, 371, 130; D18/2,
7; 235/145 A, 145 R; 345/156, 168, 169,
172, 173; 341/22, 23

(56) **References Cited**

U.S. PATENT DOCUMENTS

D. 241,751	*	10/1976	Jensen et al.	D14/130
D. 340,034	*	10/1993	Hofstetter et al.	D14/426
D. 392,282	*	3/1998	Ahearn et al.	D14/346
D. 434,762	*	12/2000	Ikenaga	D14/371

OTHER PUBLICATIONS

Symbol Technologies, Aug. 1994, ASTERIX-I Terminal.*
Symbol Technologies, Jul. 1996, Hand held Terminal PDT
2100.*

* cited by examiner

Primary Examiner—Freda Nunn

(74) *Attorney, Agent, or Firm*—Gallagher & Kennedy P.A.;
John D. Titus

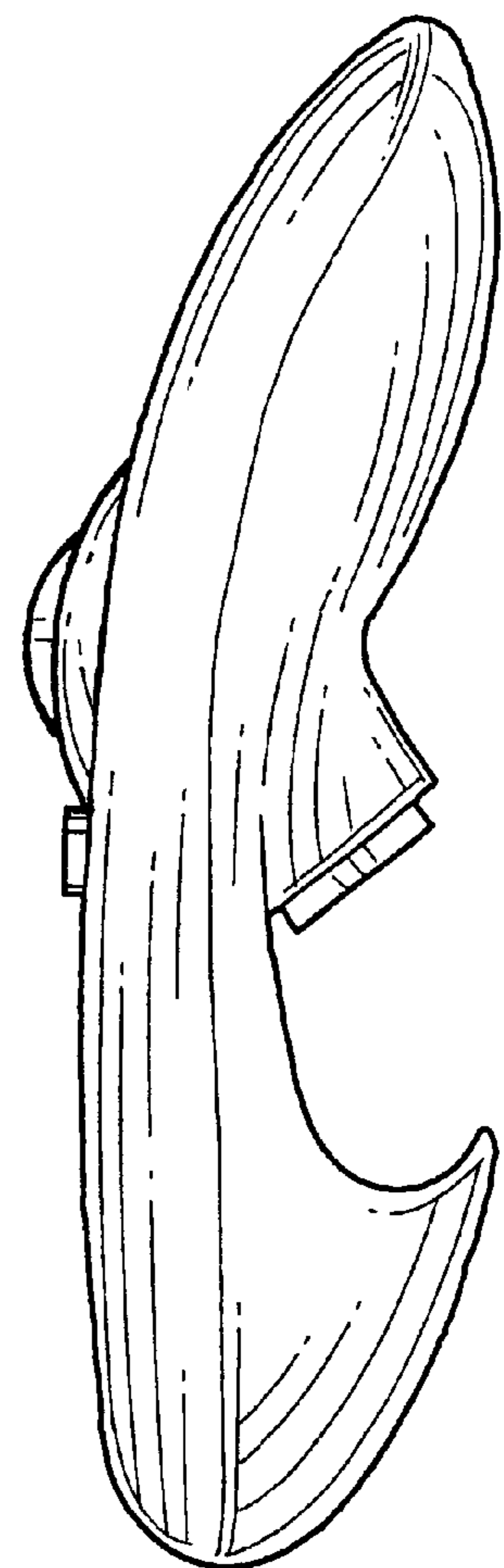
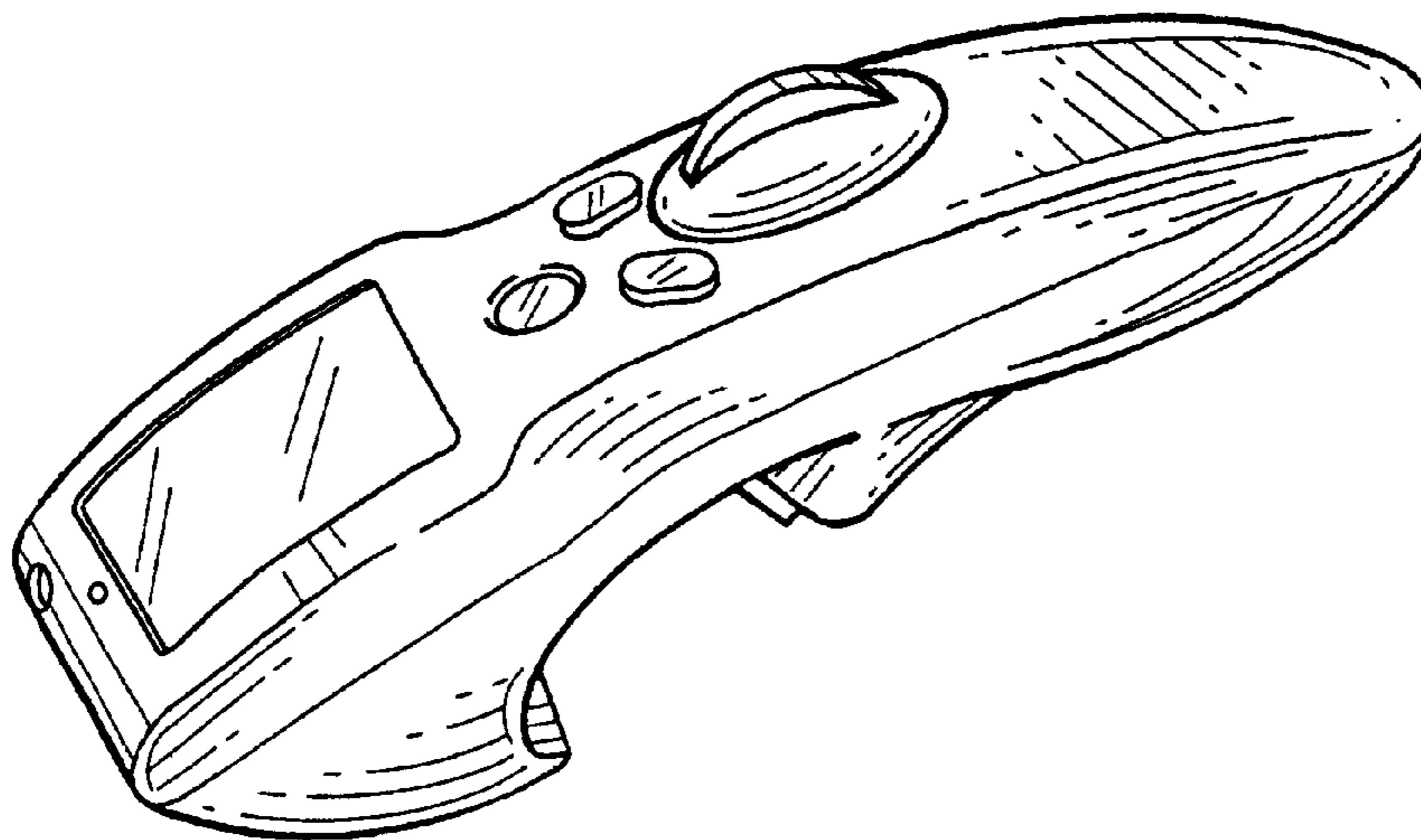
(57) **CLAIM**

The ornamental design for a hand held computer, as shown.

DESCRIPTION

FIG. 1 is a perspective view;
FIG. 2 is a top plan view;
FIG. 3 is side elevational view;
FIG. 4 is front elevational view;
FIG. 5 is a bottom view;
FIG. 6 is a side elevational view; and,
FIG. 7 is a rear elevational view.

1 Claim, 2 Drawing Sheets



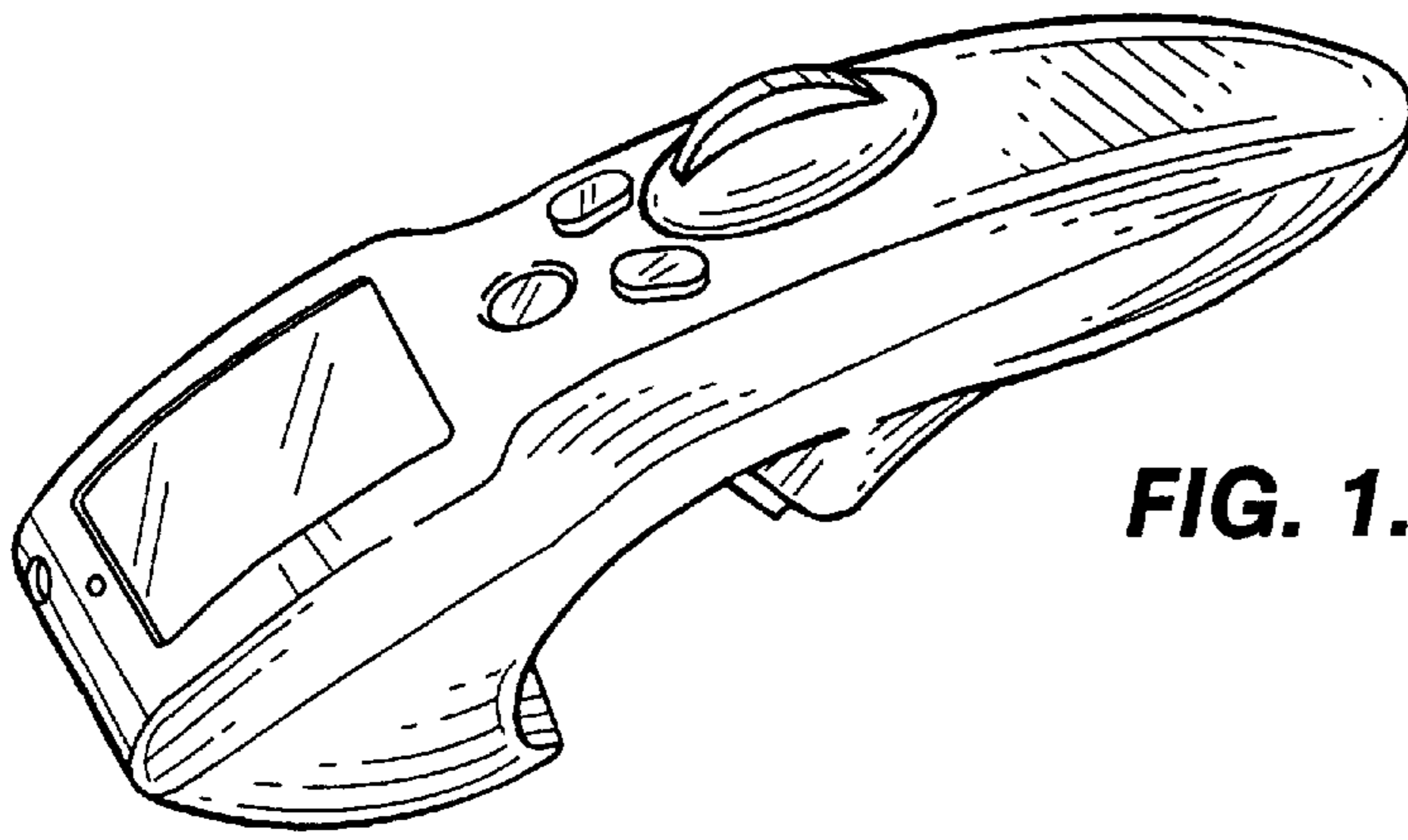


FIG. 1.

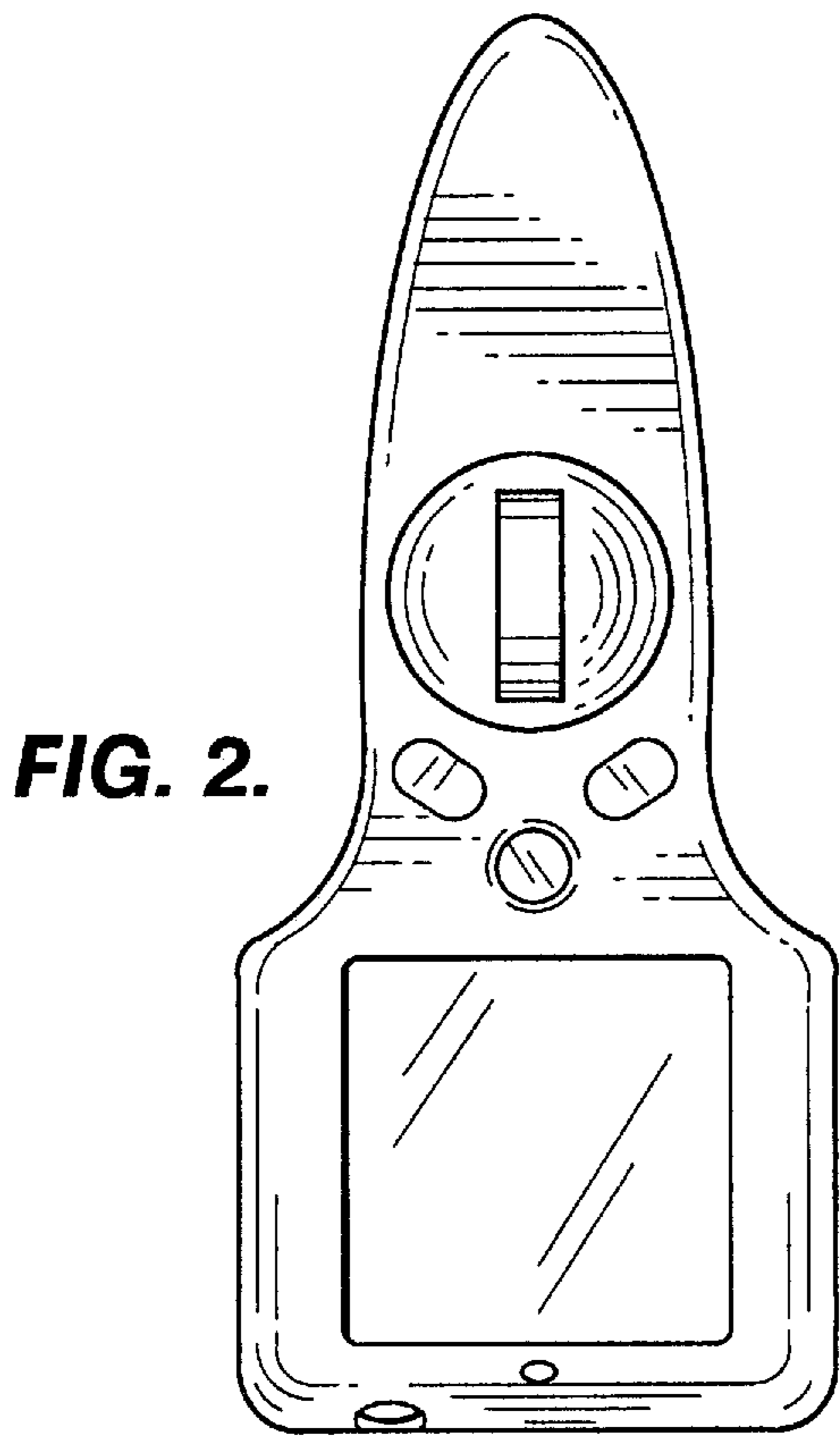


FIG. 2.

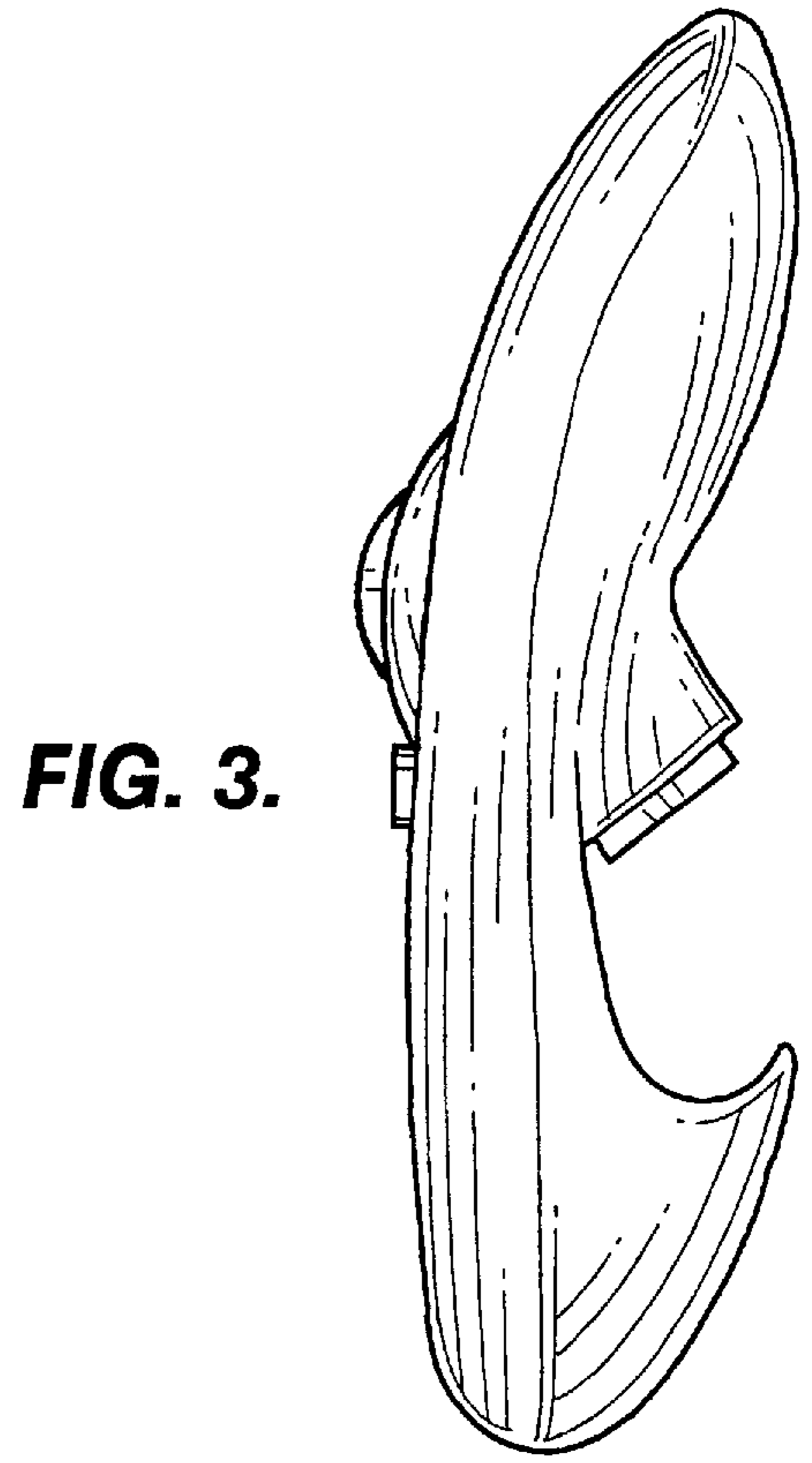


FIG. 3.

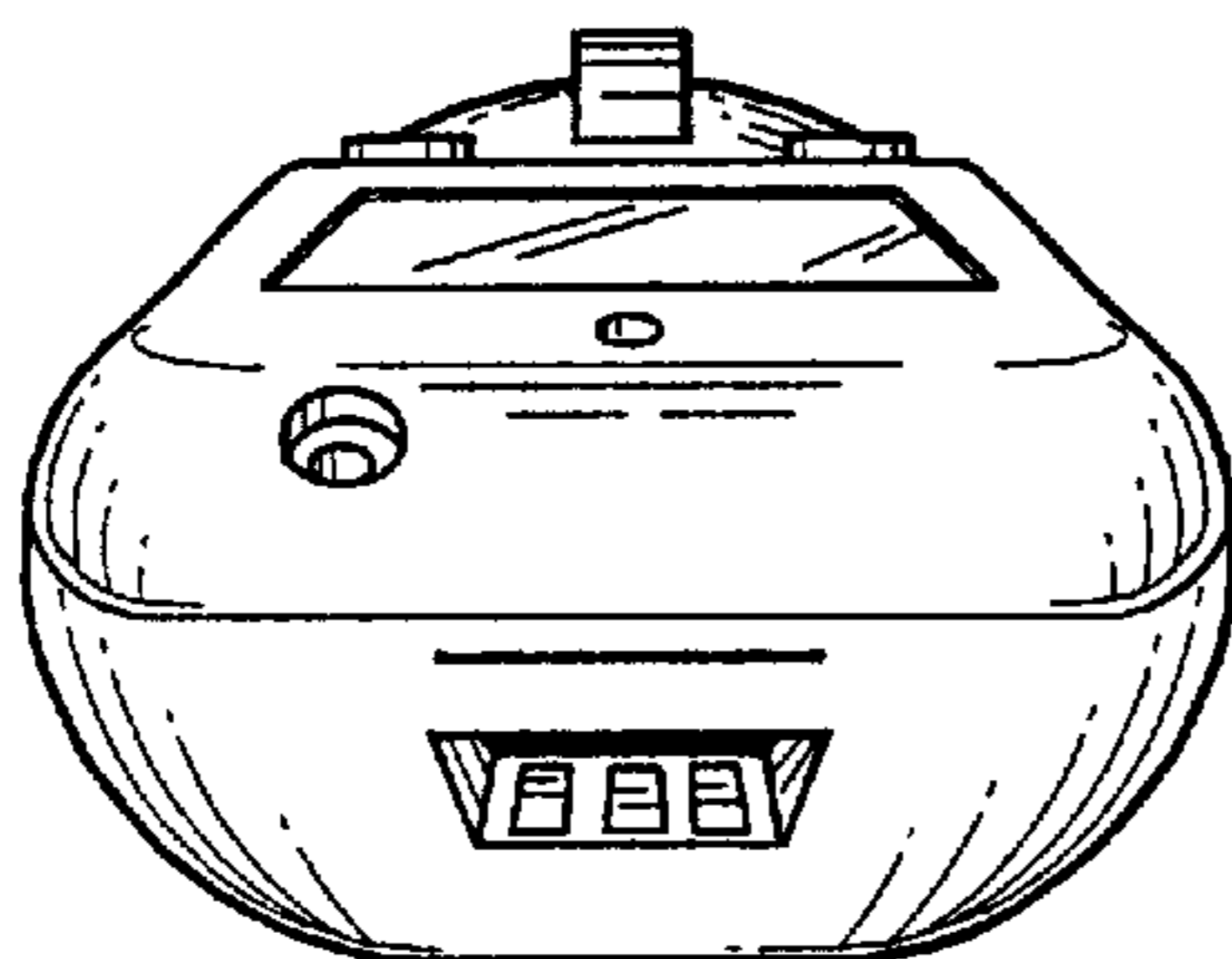


FIG. 4.

