



US00D445783S

(12) **United States Design Patent**  
**Bouchard**

(10) **Patent No.:** **US D445,783 S**

(45) **Date of Patent:** **\*\* Jul. 31, 2001**

(54) **CAR RADIO COVER**

(75) **Inventor:** **Christian Bouchard, Rueil (FR)**

(73) **Assignee:** **Mannesmann VDO AG (DE)**

(\*\*) **Term:** **14 Years**

(21) **Appl. No.:** **29/129,369**

(22) **Filed:** **Sep. 12, 2000**

(30) **Foreign Application Priority Data**

Apr. 7, 2000 (DE) ..... 4 00 03 533

(51) **LOC (7) Cl.** ..... **14-03**

(52) **U.S. Cl.** ..... **D14/258**

(58) **Field of Search** ..... D14/135, 136,  
D14/156, 157, 162, 164, 168, 188, 197-198,  
257-258; 369/75.1, 75.2, 77.1, 77.2; 455/344,  
347, 350, 351

(56) **References Cited**

**U.S. PATENT DOCUMENTS**

D. 383,468 \* 9/1997 Buckingham ..... D14/258

D. 407,394 \* 3/1999 Oh ..... D14/135  
D. 430,123 \* 8/2000 Shinohara et al. .... D14/135  
5,848,042 \* 12/1998 Takahashi ..... 369/75.1

\* cited by examiner

*Primary Examiner*—Nanda Bondade  
(74) *Attorney, Agent, or Firm*—Richard A. Speer; Mayer,  
Brown & Platt

(57) **CLAIM**

The ornamental design for a car radio cover, as shown and described.

**DESCRIPTION**

FIG. 1 is an isometric view showing my new design;  
FIG. 2 is a top plan view thereof;  
FIG. 3 is a front elevational view thereof;  
FIG. 4 is a left side elevational view thereof; and,  
FIG. 5 is a right side elevational view thereof.

**1 Claim, 1 Drawing Sheet**

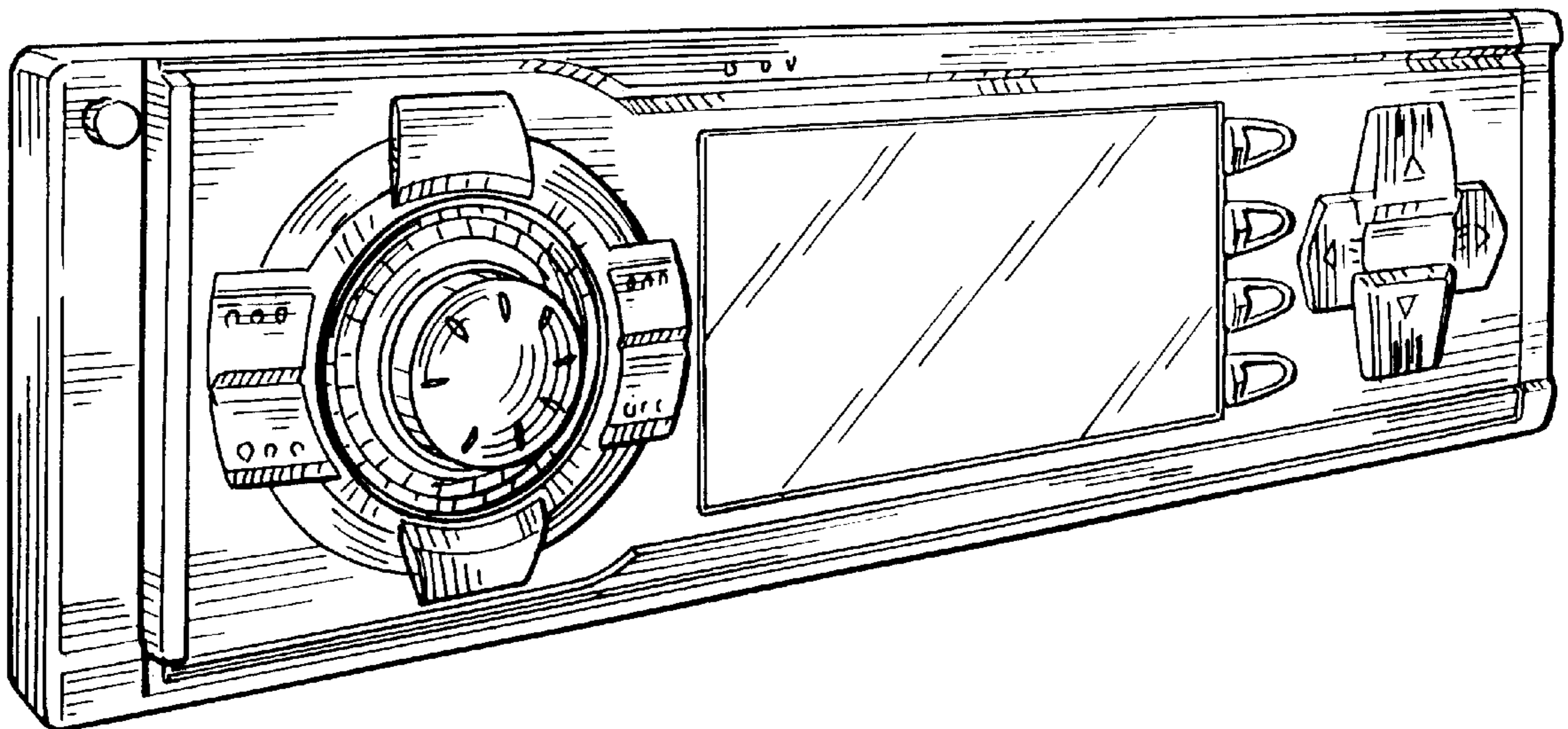


FIG. 1

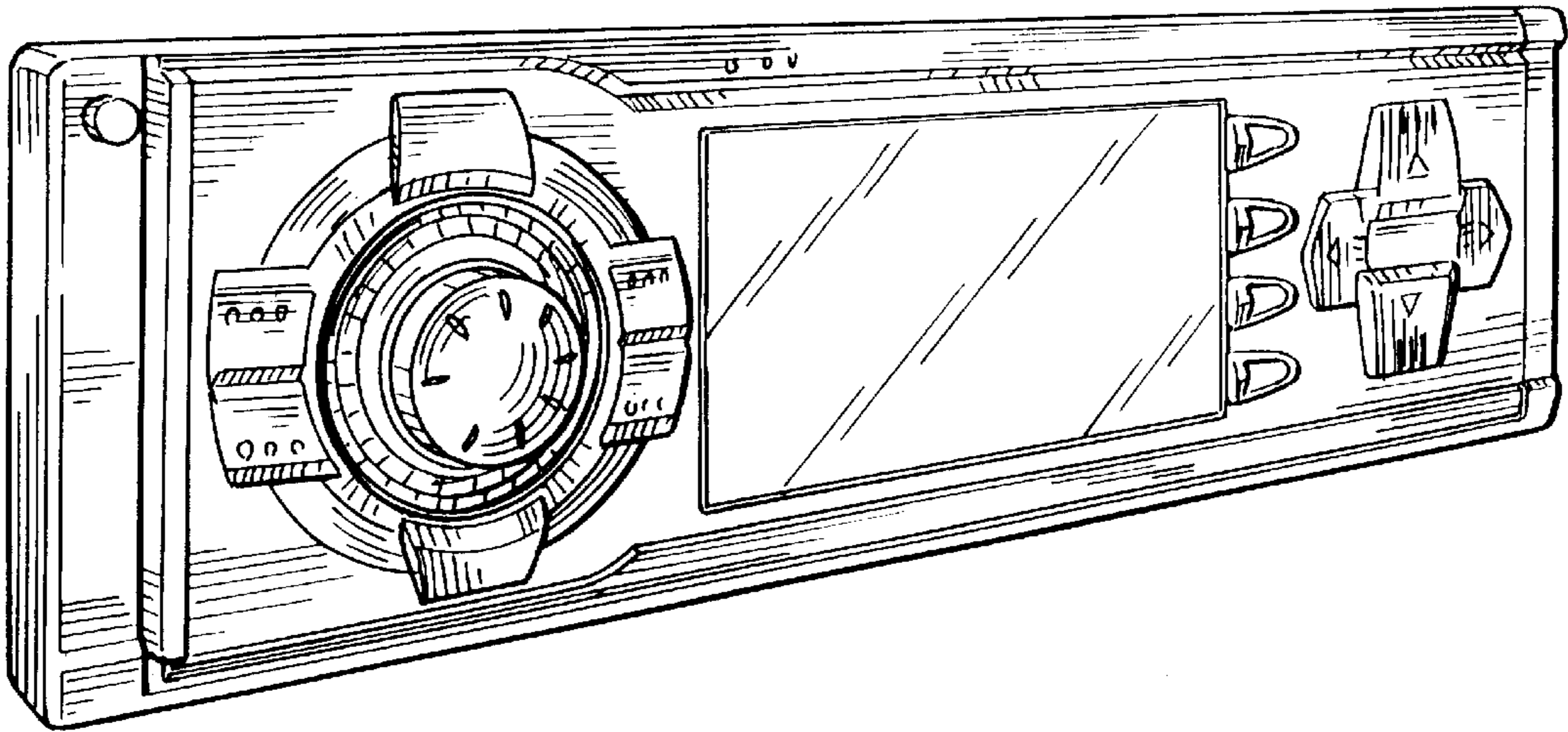


FIG. 2

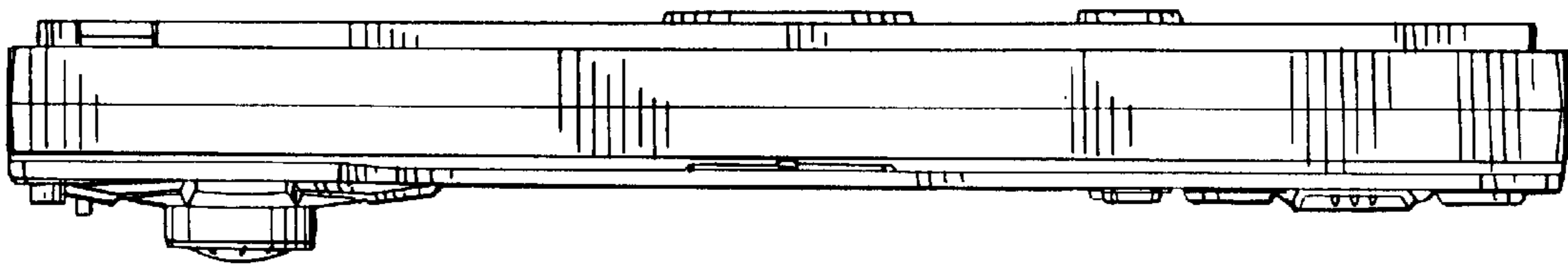


FIG. 3

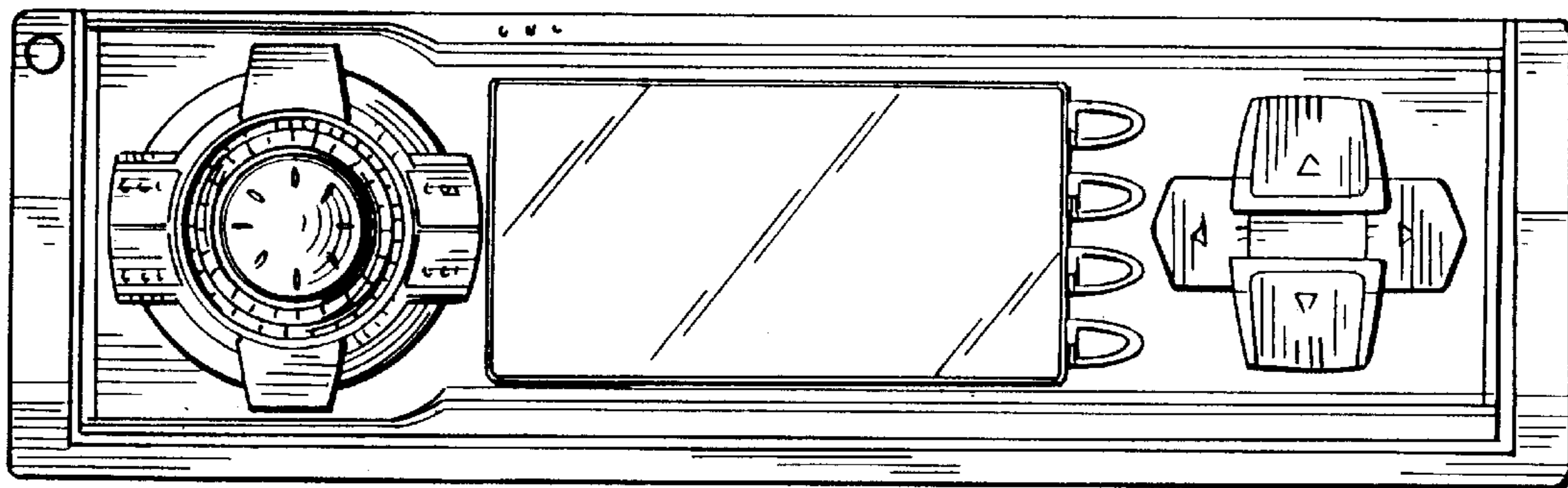


FIG. 4

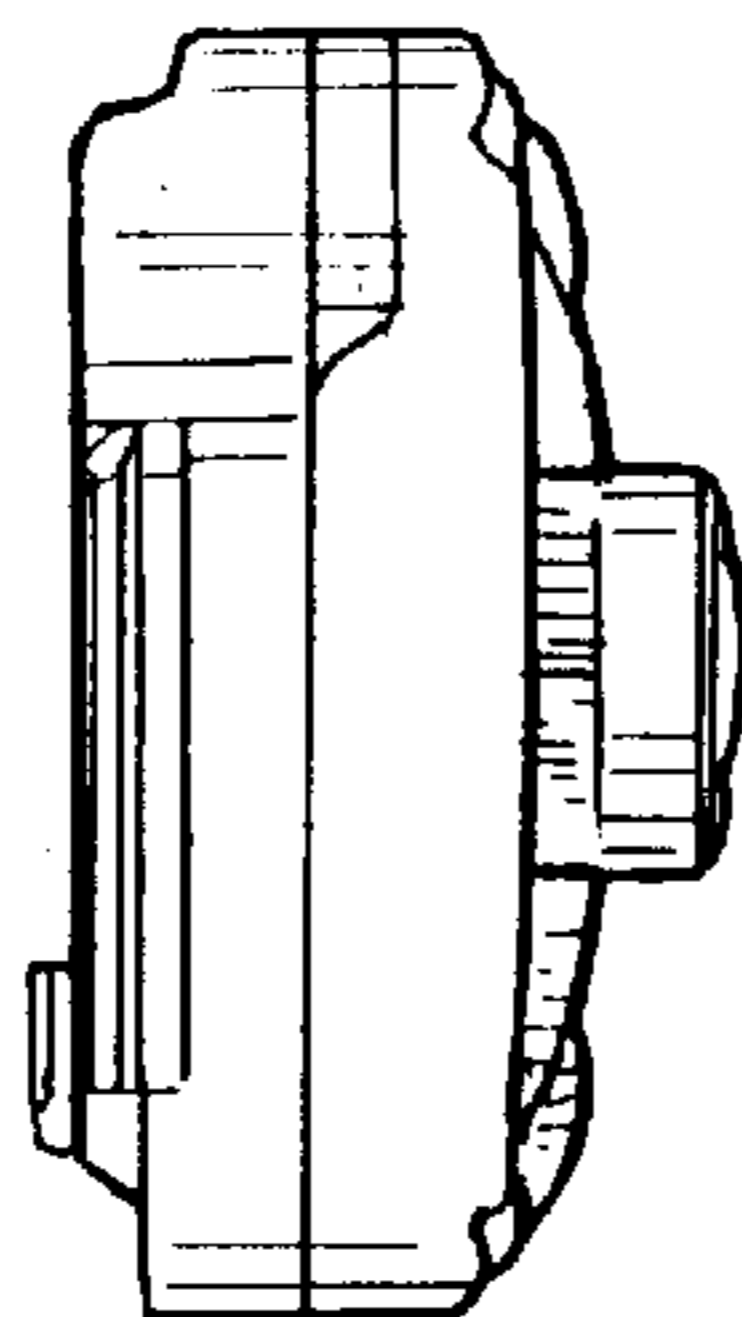


FIG. 5

