



US00D445780S

(12) **United States Design Patent**  
**Thaw**

(10) **Patent No.:** **US D445,780 S**

(45) **Date of Patent:** **\*\* Jul. 31, 2001**

(54) **SATELLITE DISH COVER**

5,815,125 9/1998 Kelly et al. .... 343/872

(76) Inventor: **Jeffrey B. Thaw**, P.O. Box 422,  
Cornwall, Ontario (CA), K6H 5T2

\* cited by examiner

(\*\*) Term: **14 Years**

*Primary Examiner*—Louis S. Zarfes

*Assistant Examiner*—Gregory Andoll

(21) Appl. No.: **29/123,995**

(74) *Attorney, Agent, or Firm*—Dimock Stratton Clarizio;  
Mark B. Eisen

(22) Filed: **May 30, 2000**

(57) **CLAIM**

(51) **LOC (7) Cl.** ..... **14-03**

The ornamental design for a satellite dish cover, as shown  
and described.

(52) **U.S. Cl.** ..... **D14/230**

(58) **Field of Search** ..... D14/230–238,  
D14/299; D6/610, 611; 343/840, 872, 882;  
383/72, 74

**DESCRIPTION**

(56) **References Cited**

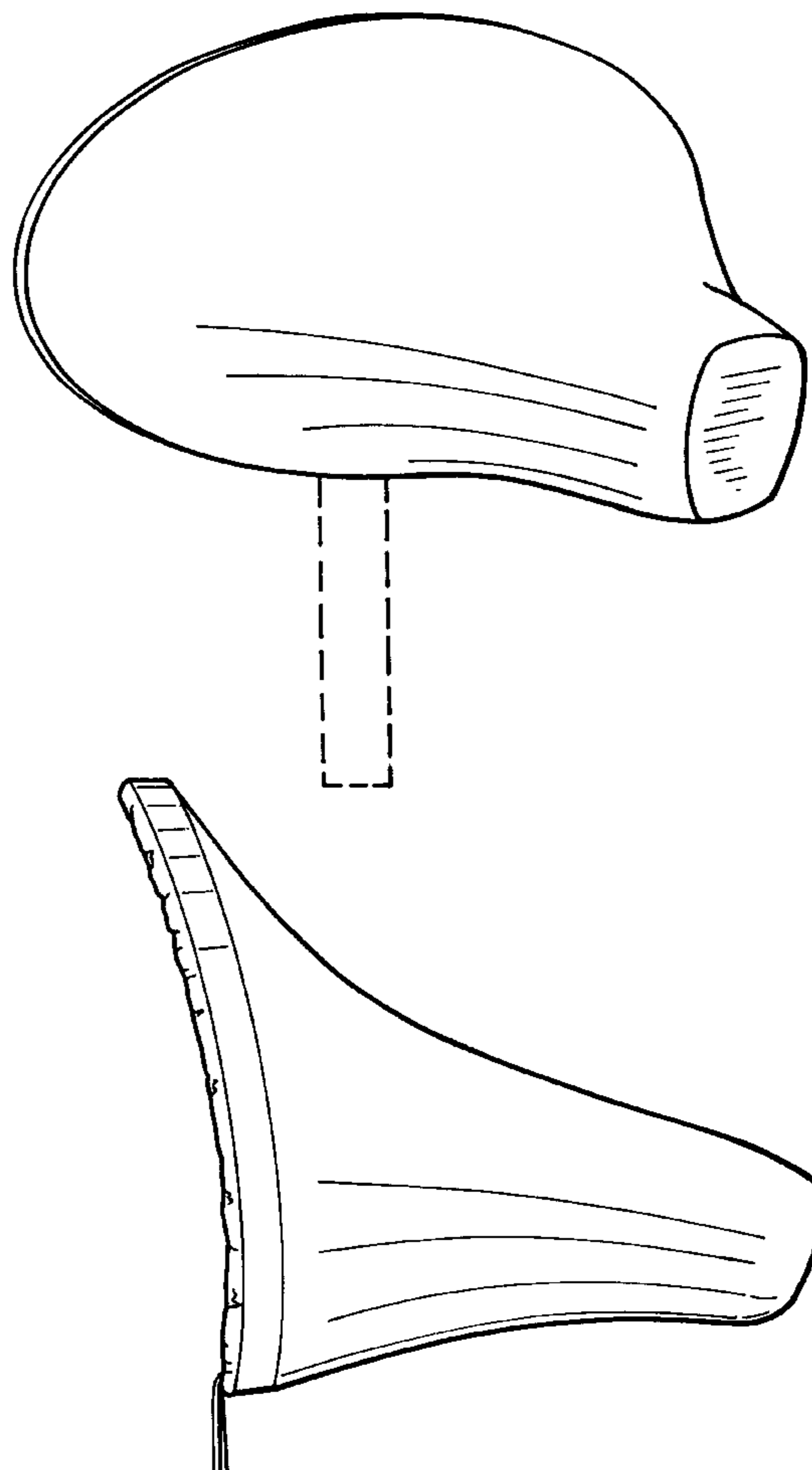
**U.S. PATENT DOCUMENTS**

D. 304,454	11/1989	Serres	.....	D14/231
D. 387,356	12/1997	Kelly et al.	.....	D14/231
D. 402,990	12/1998	Kelly et al.	.....	D14/230
D. 418,143	* 12/1999	Thaw	.....	D14/230
4,282,530	8/1981	Semplak	.....	343/872
5,451,972	9/1995	Franklin	.....	343/840
5,528,253	* 6/1996	Franklin	.....	343/872

FIG. 1 is a perspective view of the satellite dish cover;  
FIG. 2 is a side elevation, the opposite side being a mirror  
image thereof;  
FIG. 3 is a front end elevation;  
FIG. 4 is a rear end elevation;  
FIG. 5 is a top plan view; and,  
FIG. 6 is a bottom plan view.

The broken line showing of the support in FIG. 1 is for  
illustrative purposes only and for no part of the claimed  
design. The broken lines in FIG. 4 represent stitching.

**1 Claim, 3 Drawing Sheets**



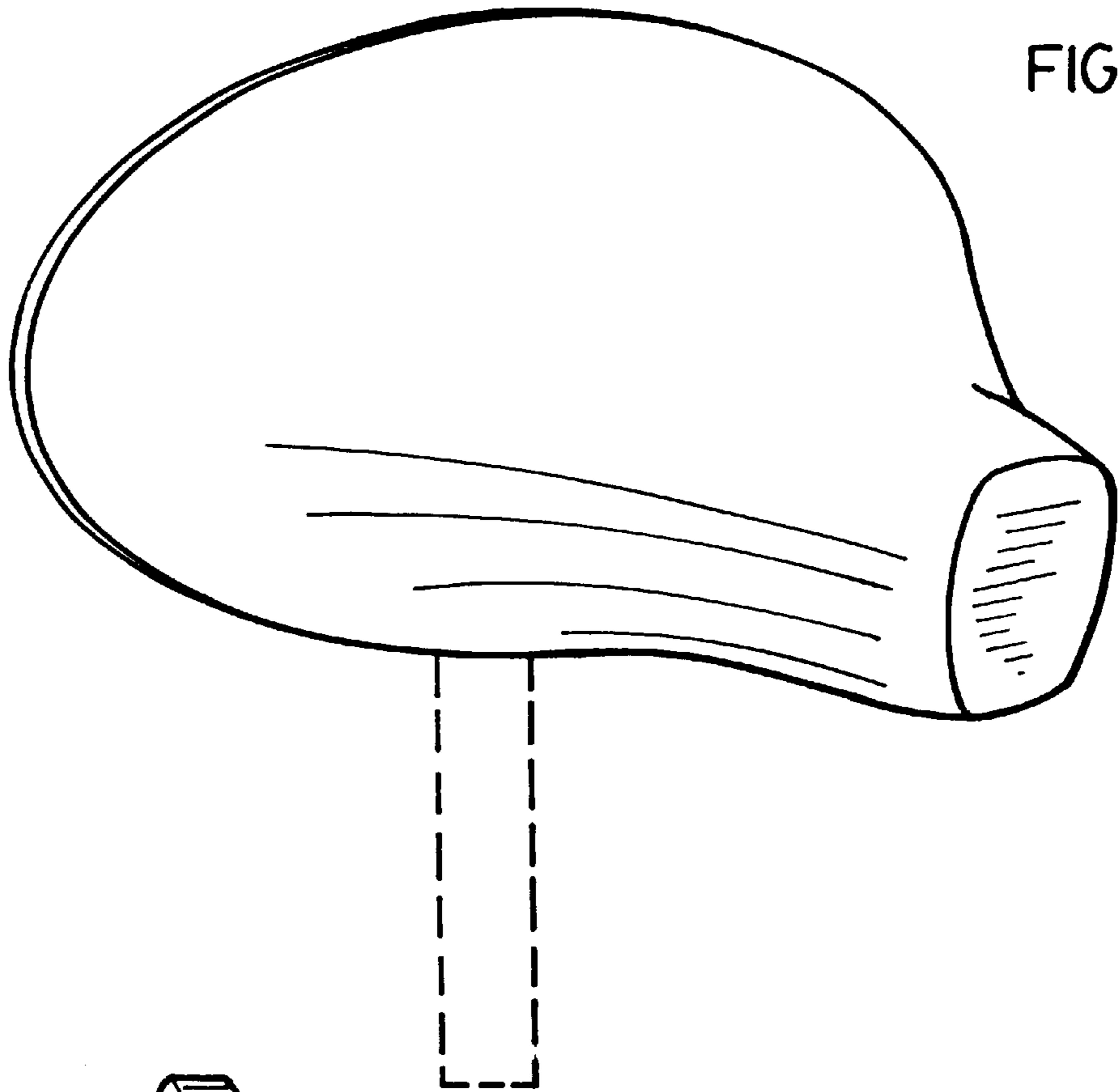


FIG. 1

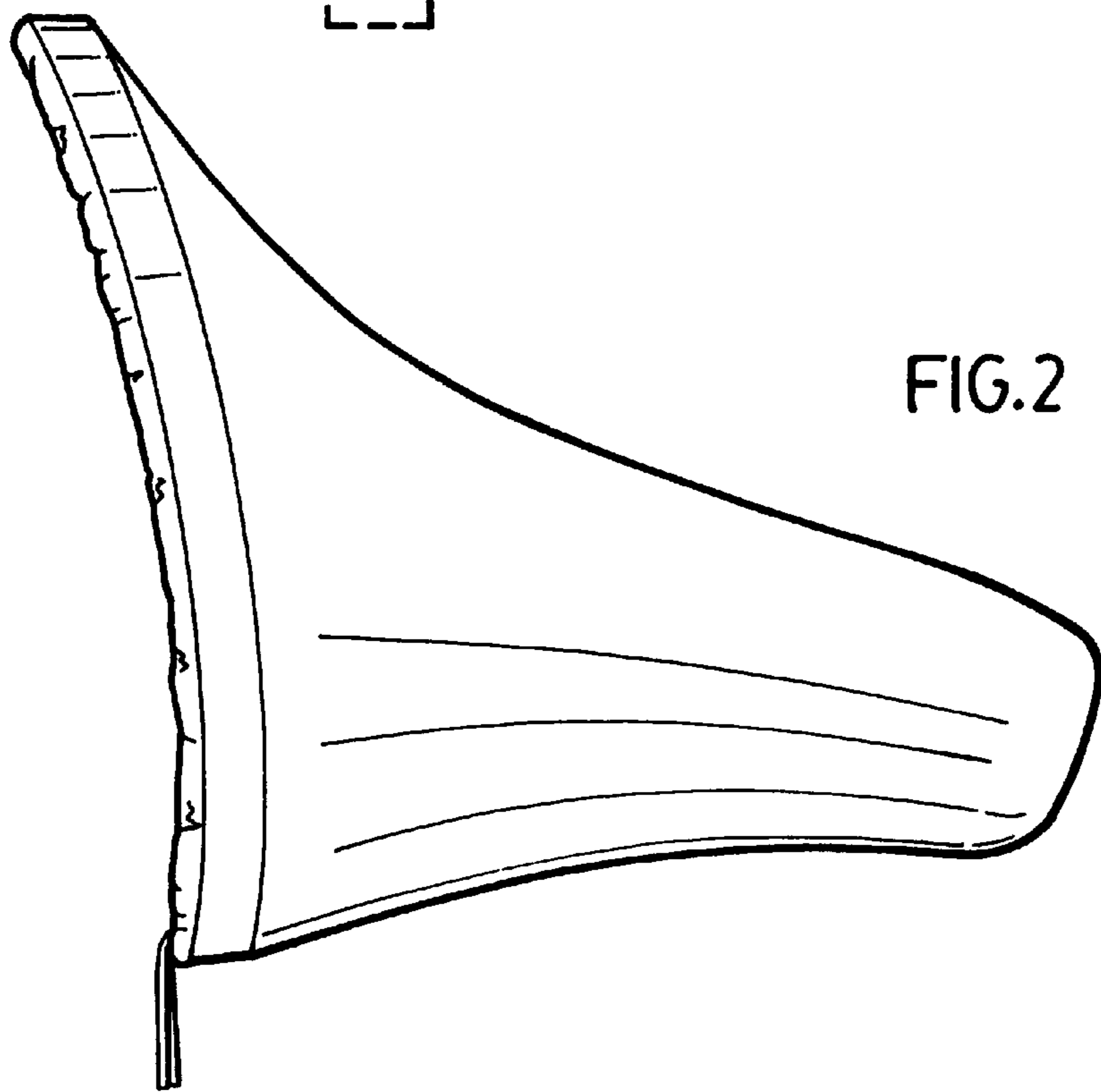
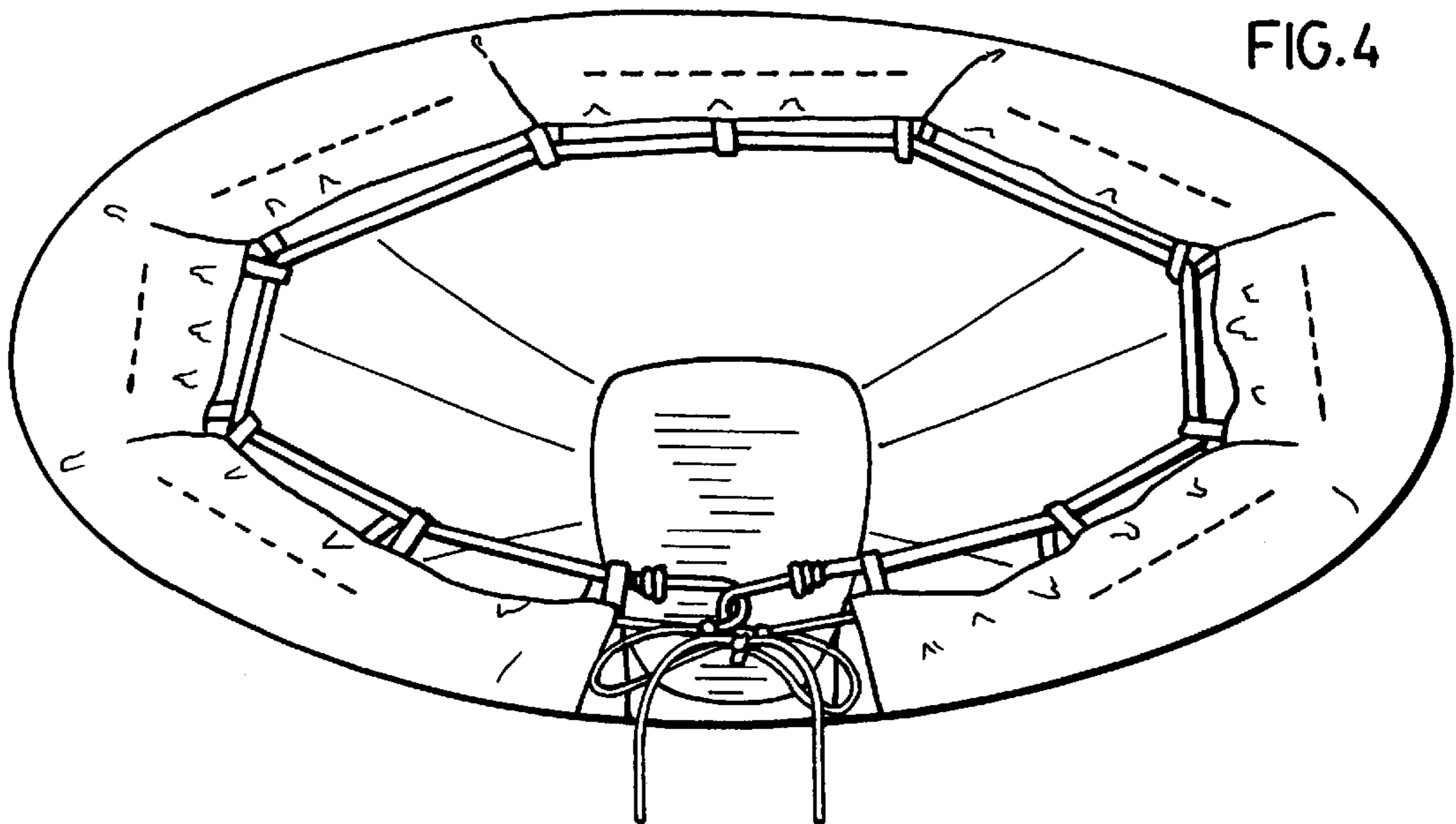
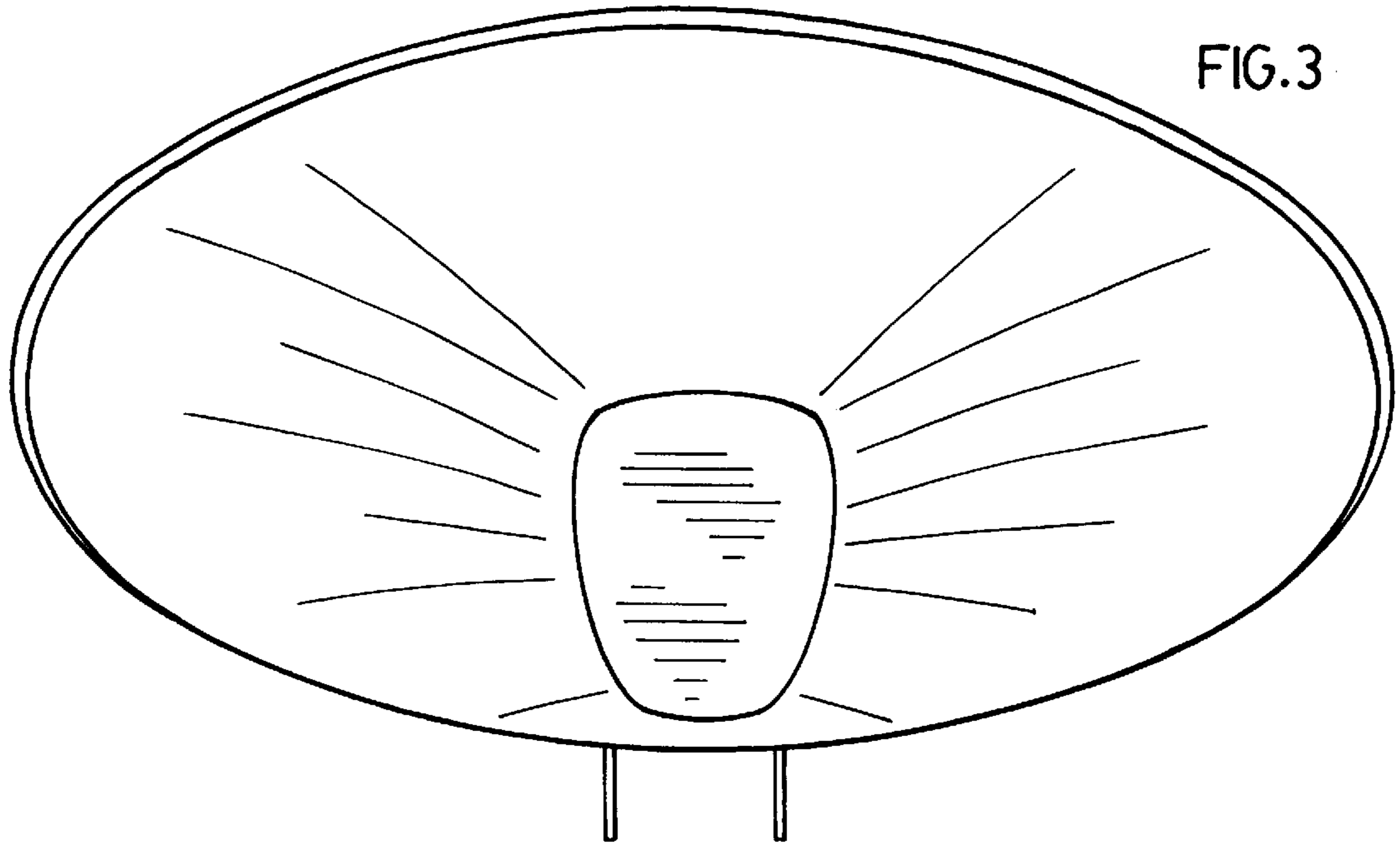


FIG. 2



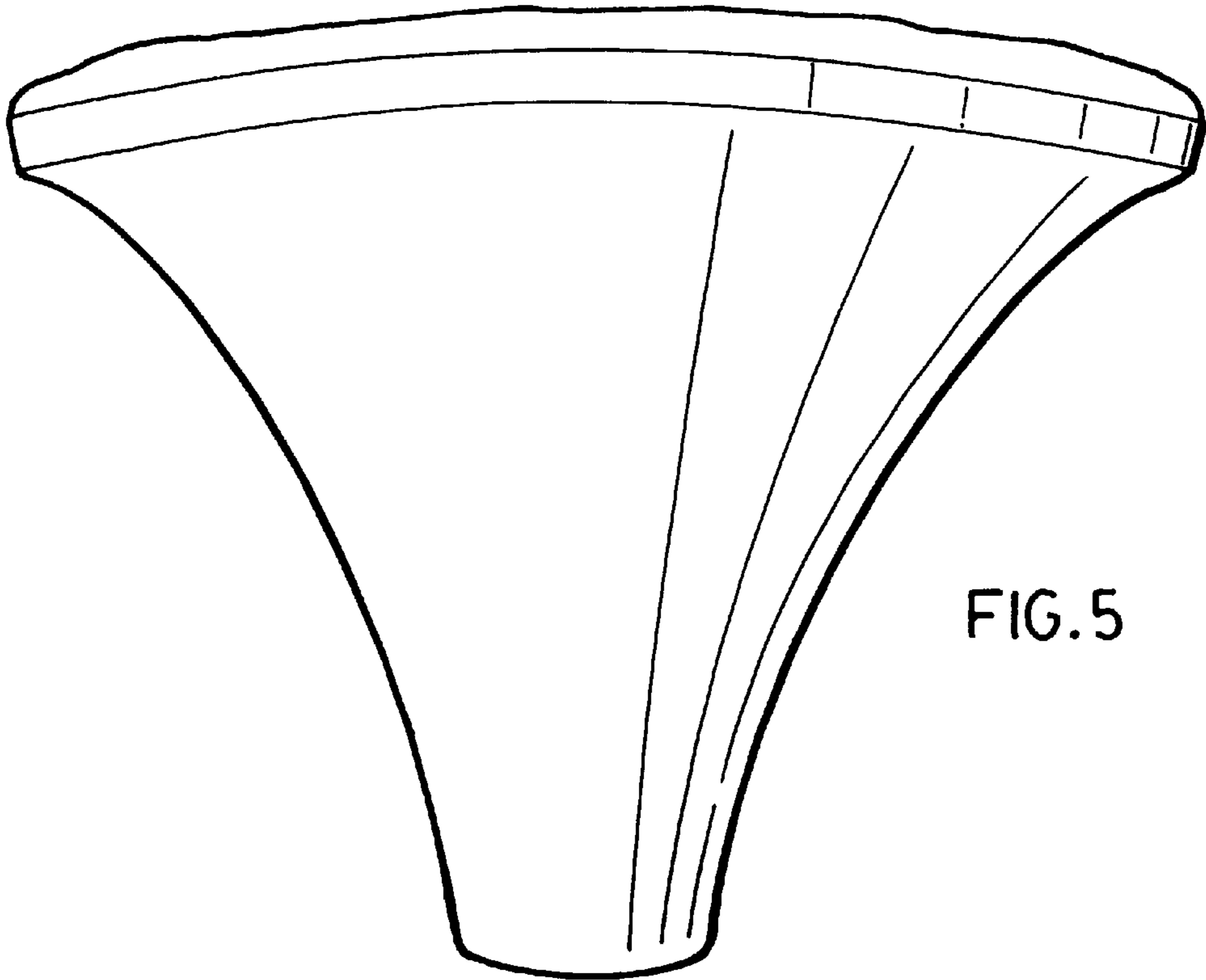


FIG. 5

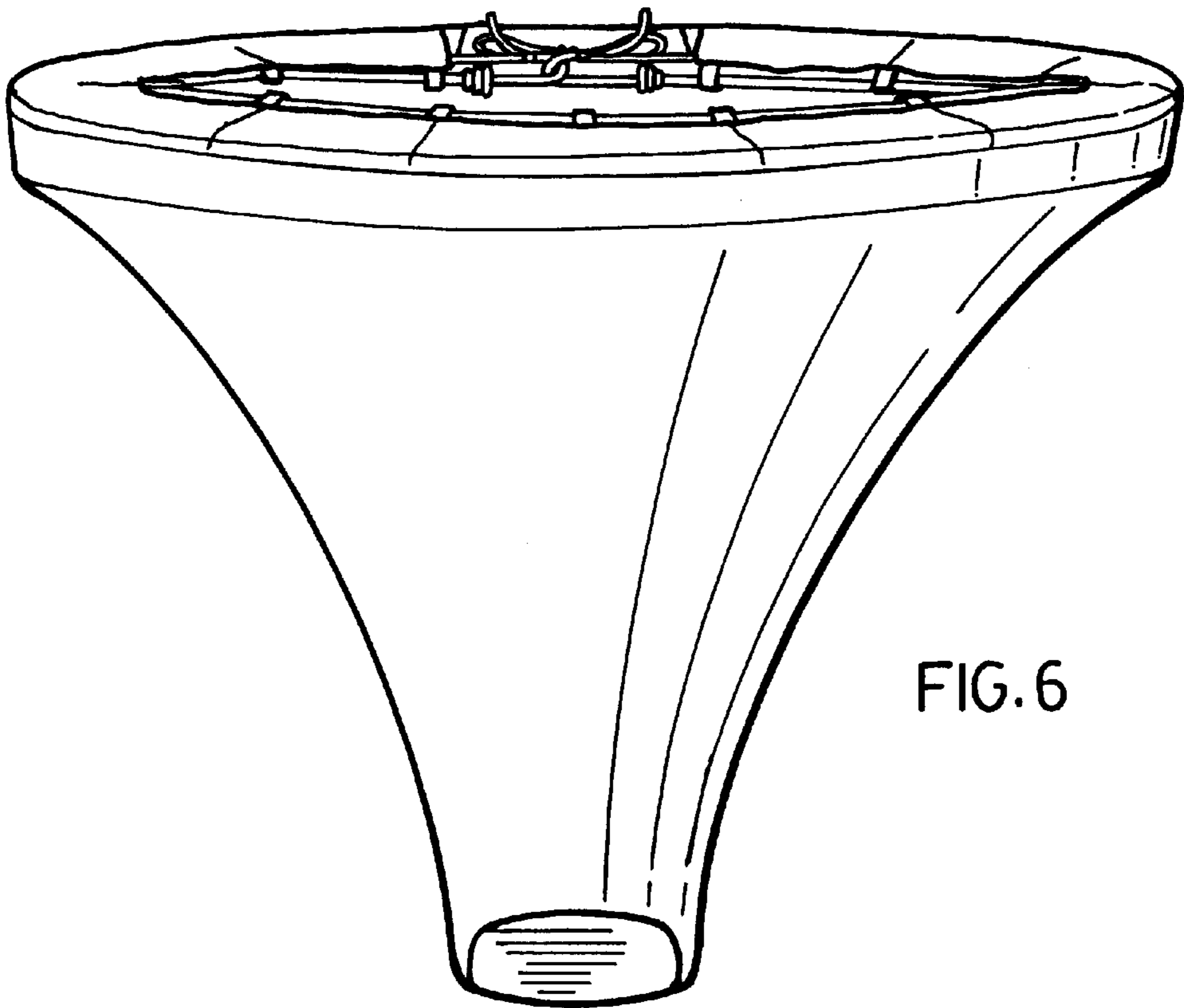


FIG. 6