



US00D445776S

(12) **United States Design Patent**
Ishii et al.

(10) **Patent No.:** **US D445,776 S**

(45) **Date of Patent:** **** Jul. 31, 2001**

(54) **IC RECORDER**

(75) Inventors: **Daisuke Ishii; Takayuki Kobayashi,**
both of Tokyo (JP)

(73) Assignee: **Sony Corporation,** Tokyo (JP)

(**) Term: **14 Years**

(21) Appl. No.: **29/126,746**

(22) Filed: **Jul. 24, 2000**

(51) **LOC (7) Cl.** **14-01**

(52) **U.S. Cl.** **D14/167**

(58) **Field of Search** D14/160-165,
D14/167-168, 188-189, 192-198, 217-218,
260, 299; 455/344, 347-350

(56) **References Cited**

U.S. PATENT DOCUMENTS

D. 336,296	6/1993	Wada	D14/165
D. 371,786	* 7/1996	Maeyama	D14/168
D. 383,754	* 9/1997	Yuen	D14/168
D. 424,567	5/2000	Hakoda	D14/218
D. 426,223	* 6/2000	Nomura	D14/167

OTHER PUBLICATIONS

Catalog "Placido 69", pp. 131 & 132, Sony, Nov. 1991.
Catalog "87", pp. 66 & 67, Sony, Nov. 1997.

* cited by examiner

Primary Examiner—Nanda Bondade

(74) *Attorney, Agent, or Firm*—Rader, Fishman & Grauer,
PLLC

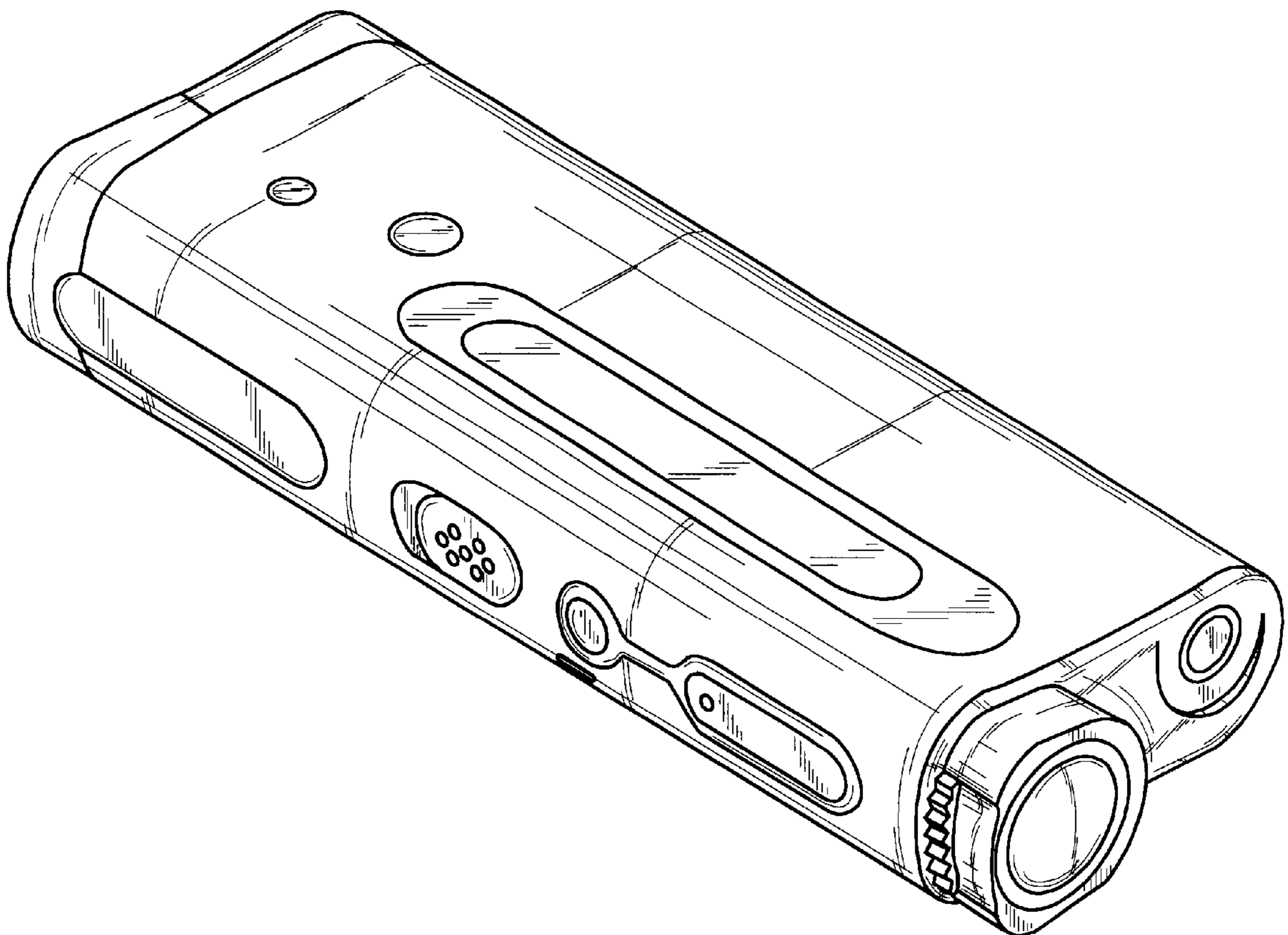
(57) **CLAIM**

The ornamental design for an IC recorder, as shown and described.

DESCRIPTION

FIG. 1 is a perspective view of an IC recorder showing our design;
FIG. 2 is a top plan view thereof;
FIG. 3 is a rear plan view thereof;
FIG. 4 is a left side elevational view thereof;
FIG. 5 is a front elevational view thereof;
FIG. 6 is a right side elevational view thereof; and,
FIG. 7 is a bottom plan view thereof.

1 Claim, 4 Drawing Sheets



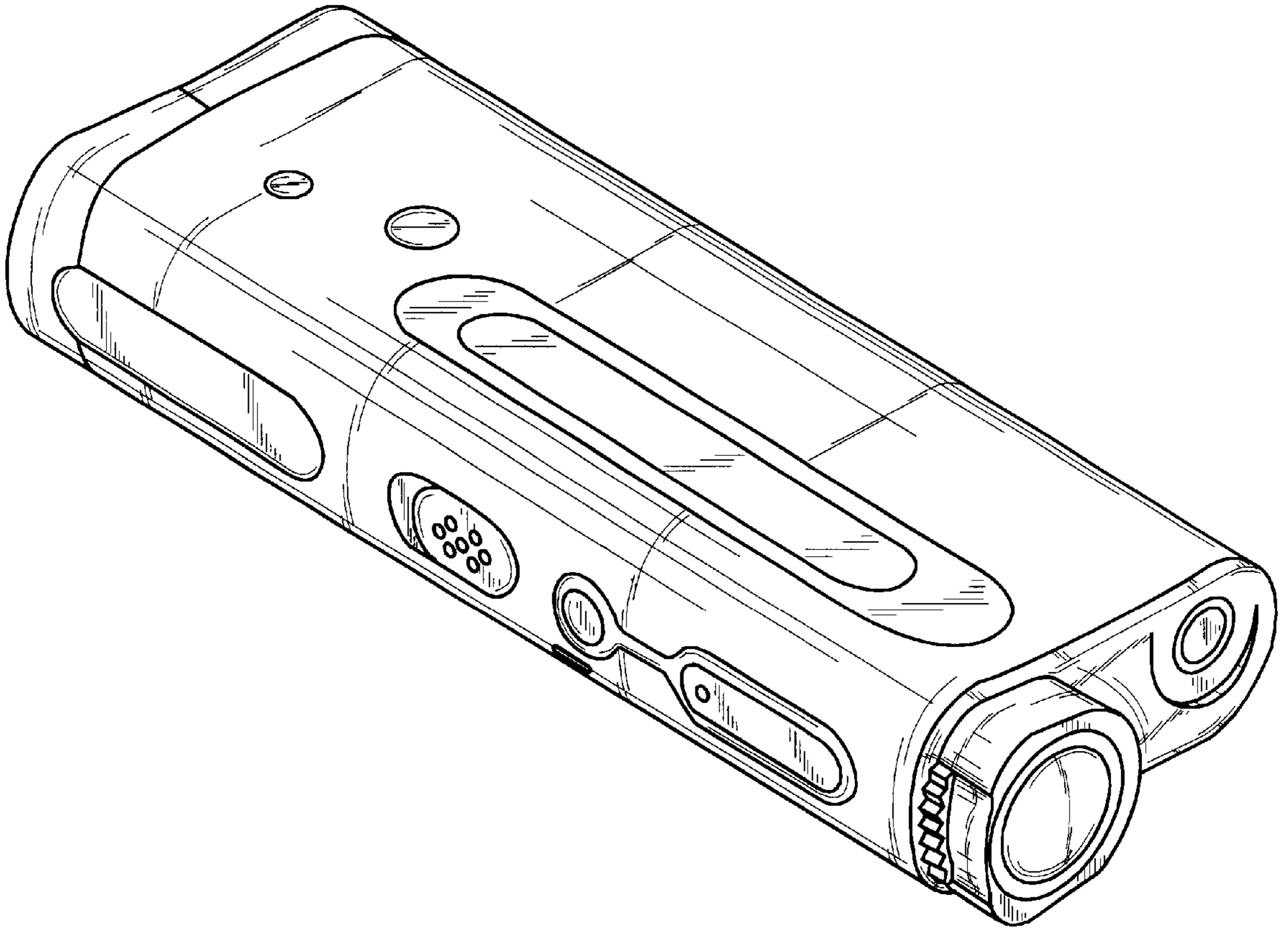


Fig. 1

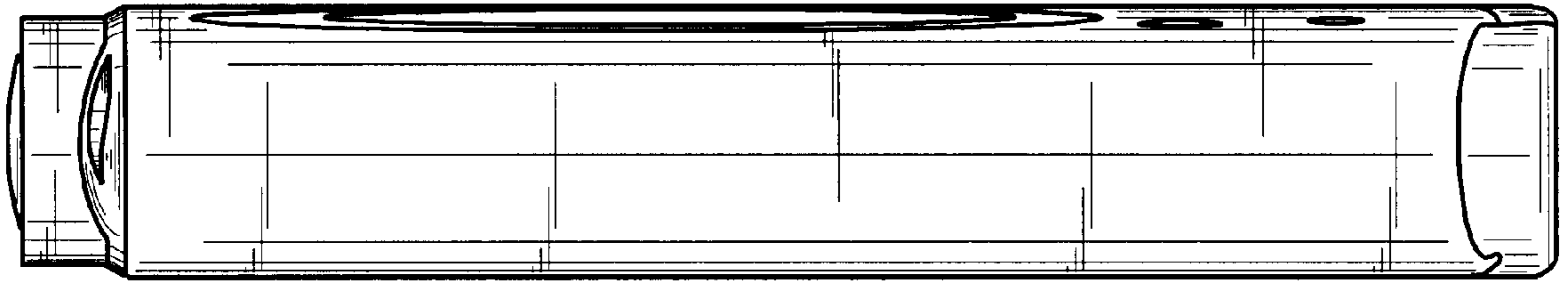


Fig. 2

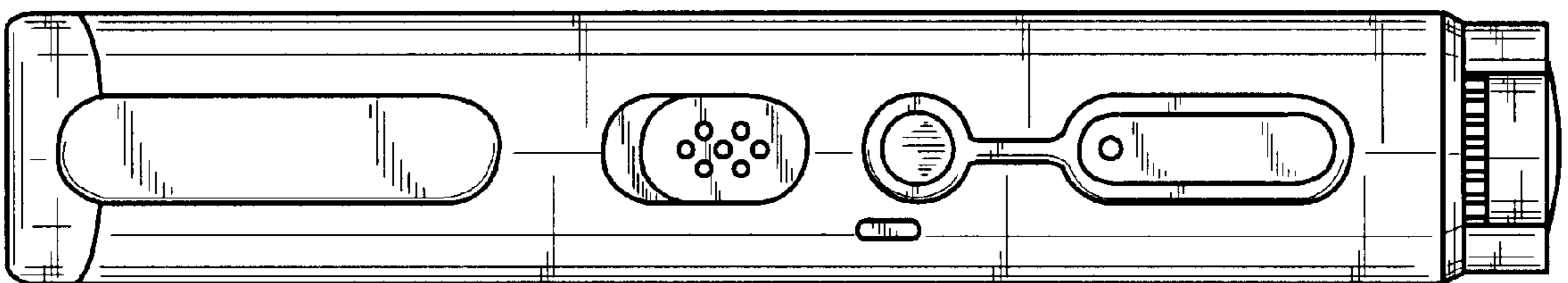


Fig. 7

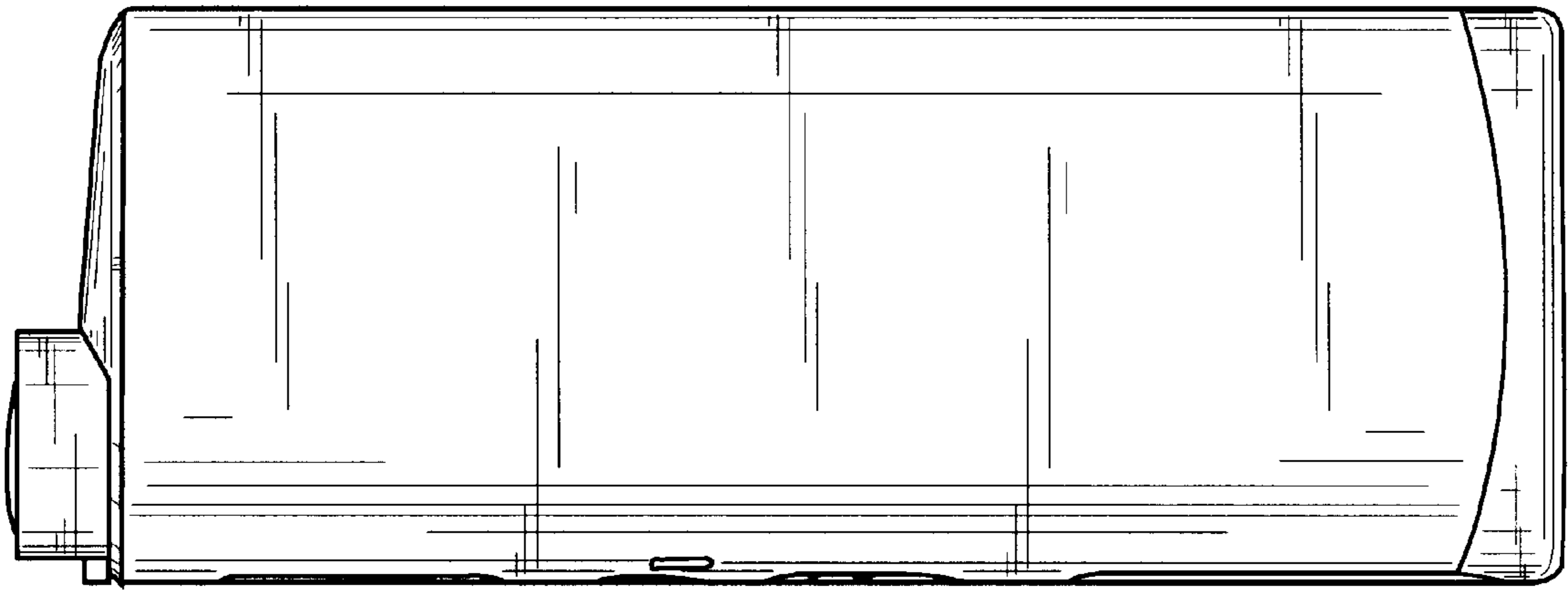


Fig. 3

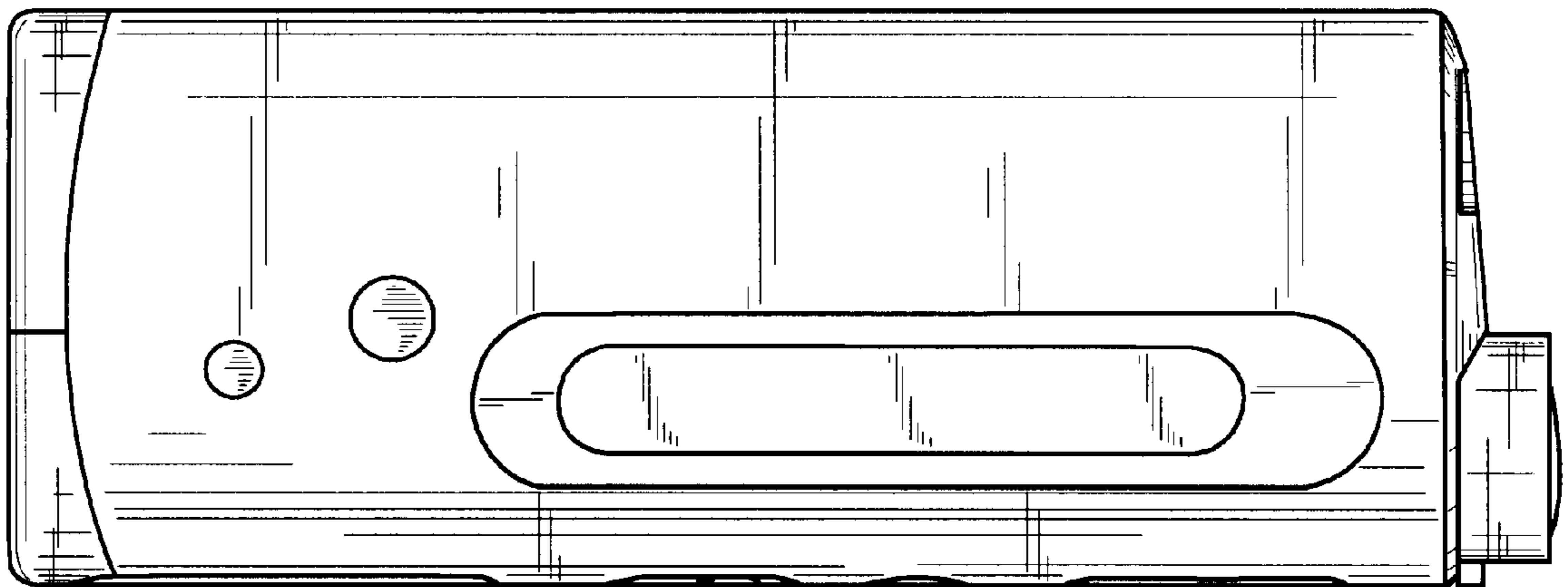


Fig. 5

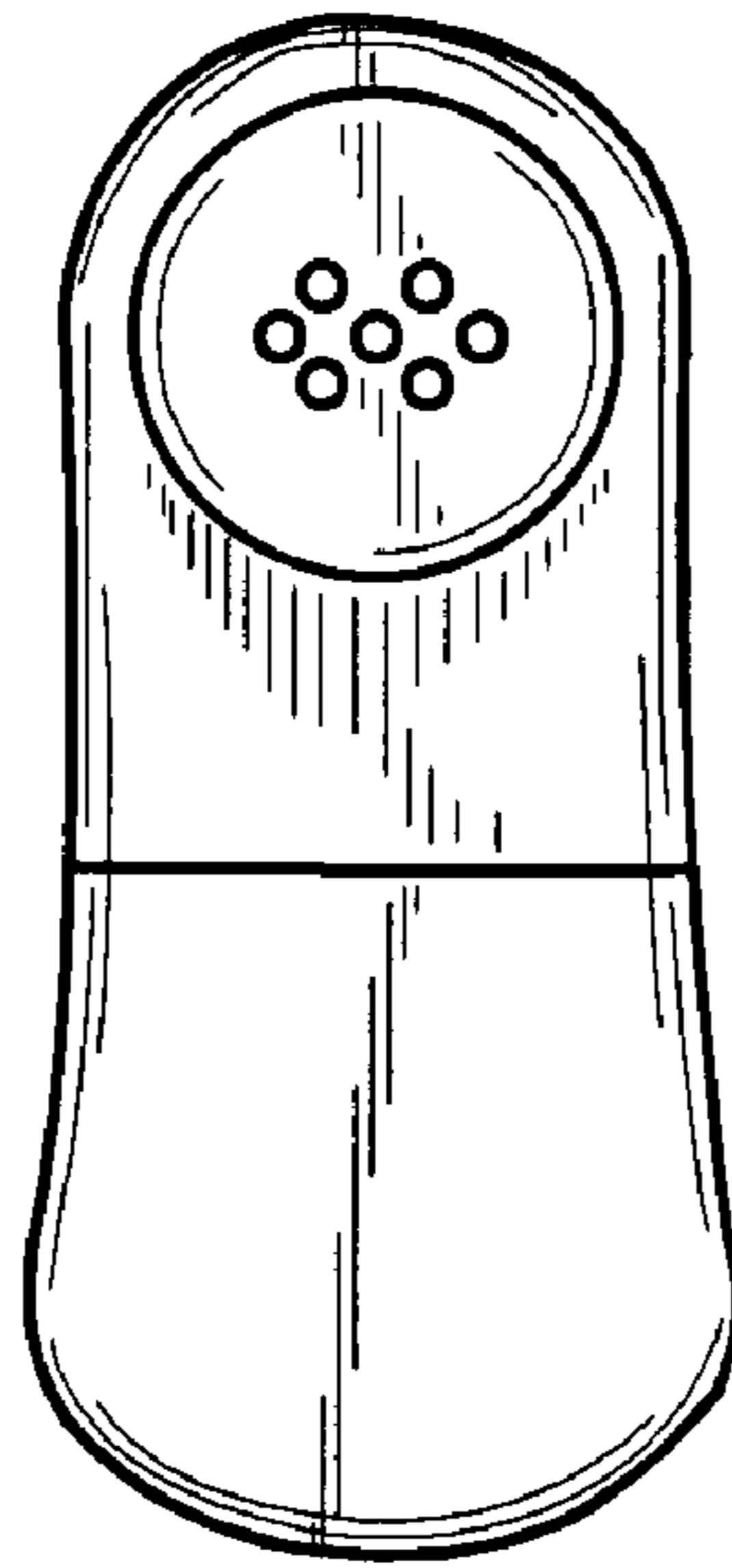


Fig. 4

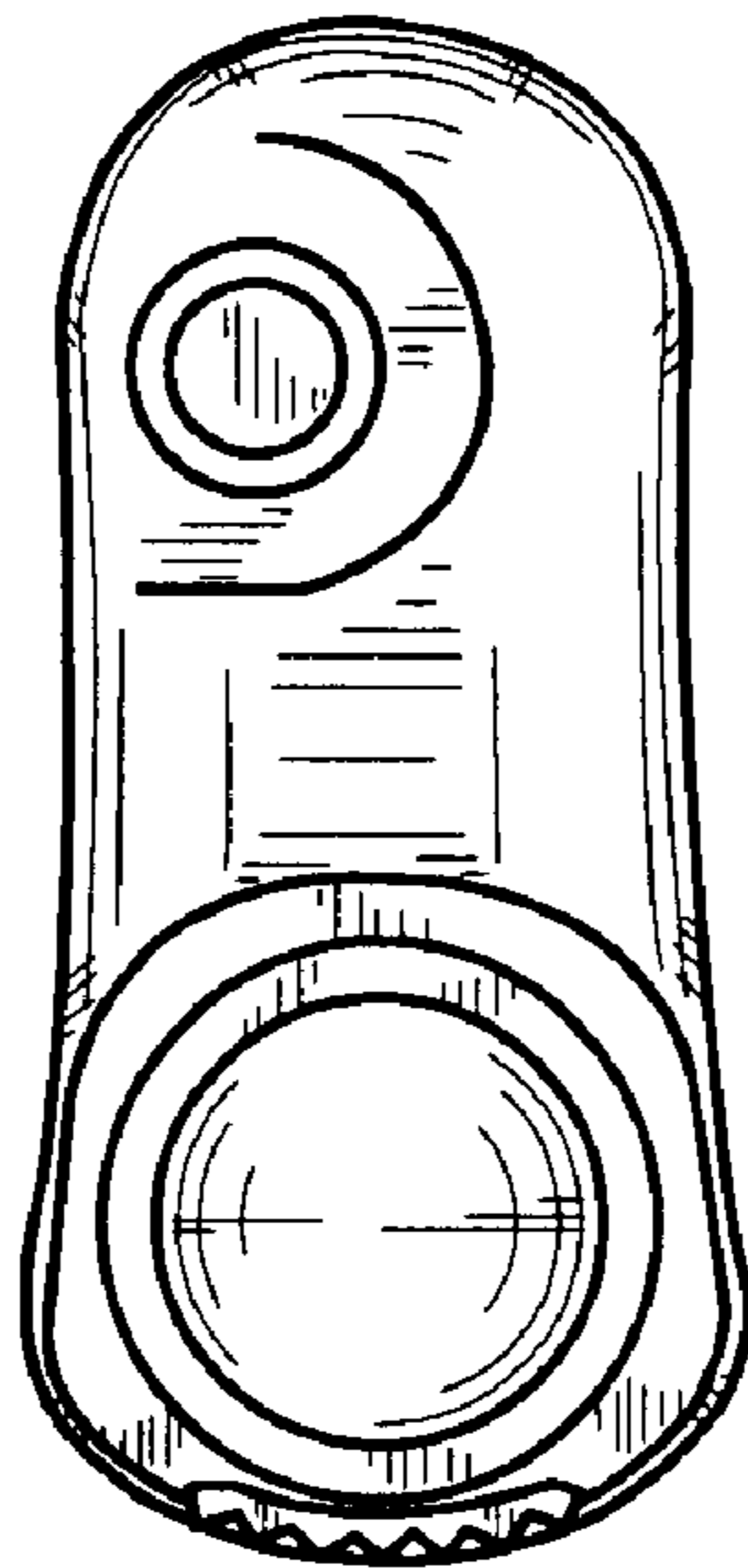


Fig. 6