



US00D445775S

(12) **United States Design Patent**  
**Hori et al.**

(10) **Patent No.:** **US D445,775 S**

(45) **Date of Patent:** **\*\* Jul. 31, 2001**

(54) **COMBINED TAPE PLAYER AND RADIO  
TUNER FOR VEHICLE**

(75) Inventors: **Tomoo Hori; Toshiyuki Itabashi**, both  
of Kanagawa (JP)

(73) Assignee: **Matsushita Electric Industrial Co.,  
Ltd.**, Osaka (JP)

(\*\*) Term: **14 Years**

(21) Appl. No.: **29/136,268**

(22) Filed: **Jan. 26, 2001**

(30) **Foreign Application Priority Data**

Aug. 21, 2000 (JP) ..... 12-022883

(51) **LOC (7) Cl.** ..... **14-03**

(52) **U.S. Cl.** ..... **D14/157; D14/162**

(58) **Field of Search** ..... D14/135, 136,  
D14/156, 157, 162, 164, 168, 188, 197,  
198, 257, 258; 369/75.1, 75.2, 77.1, 77.2;  
455/344, 347, 350, 351

(56) **References Cited**

**U.S. PATENT DOCUMENTS**

D. 391,958 \* 3/1998 Miyazawa et al. .... D14/157

D. 400,529 \* 11/1998 Kakizaki ..... D14/157

D. 407,394 \* 3/1999 Oh ..... D14/135

D. 428,865 \* 8/2000 Mishiwaki et al. .... D14/135

D. 430,123 \* 8/2000 Shimohara et al. .... D14/135

5,848,042 \* 12/1998 Takahashi et al. .... 369/75.1

**FOREIGN PATENT DOCUMENTS**

1074580 6/2000 (JP) .

\* cited by examiner

*Primary Examiner*—Nanda Bondade

(74) *Attorney, Agent, or Firm*—Christensen O'Connor  
Johnson Kindness PLLC

(57) **CLAIM**

The ornamental design for a combined tape player and radio  
tuner for vehicle, as shown and described.

**DESCRIPTION**

FIG. 1 is a perspective view of the top, front and right side  
of a combined tape player and radio tuner for vehicle  
showing our new design;

FIG. 2 is a top plan view thereof;

FIG. 3 is a front view thereof;

FIG. 4 is a right side view thereof;

FIG. 5 is a left side view thereof;

FIG. 6 is a rear view thereof; and,

FIG. 7 is a bottom view thereof.

**1 Claim, 4 Drawing Sheets**

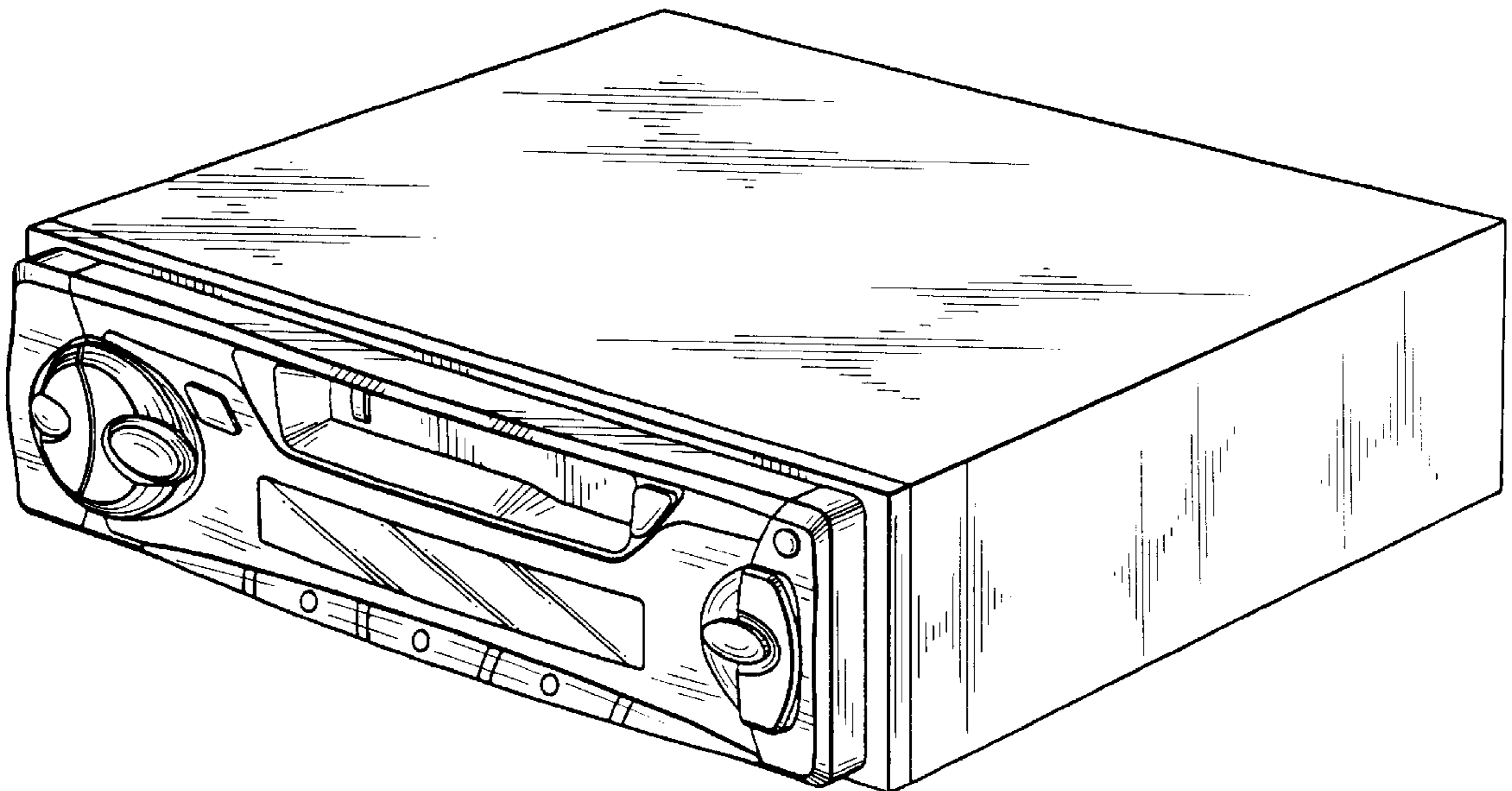
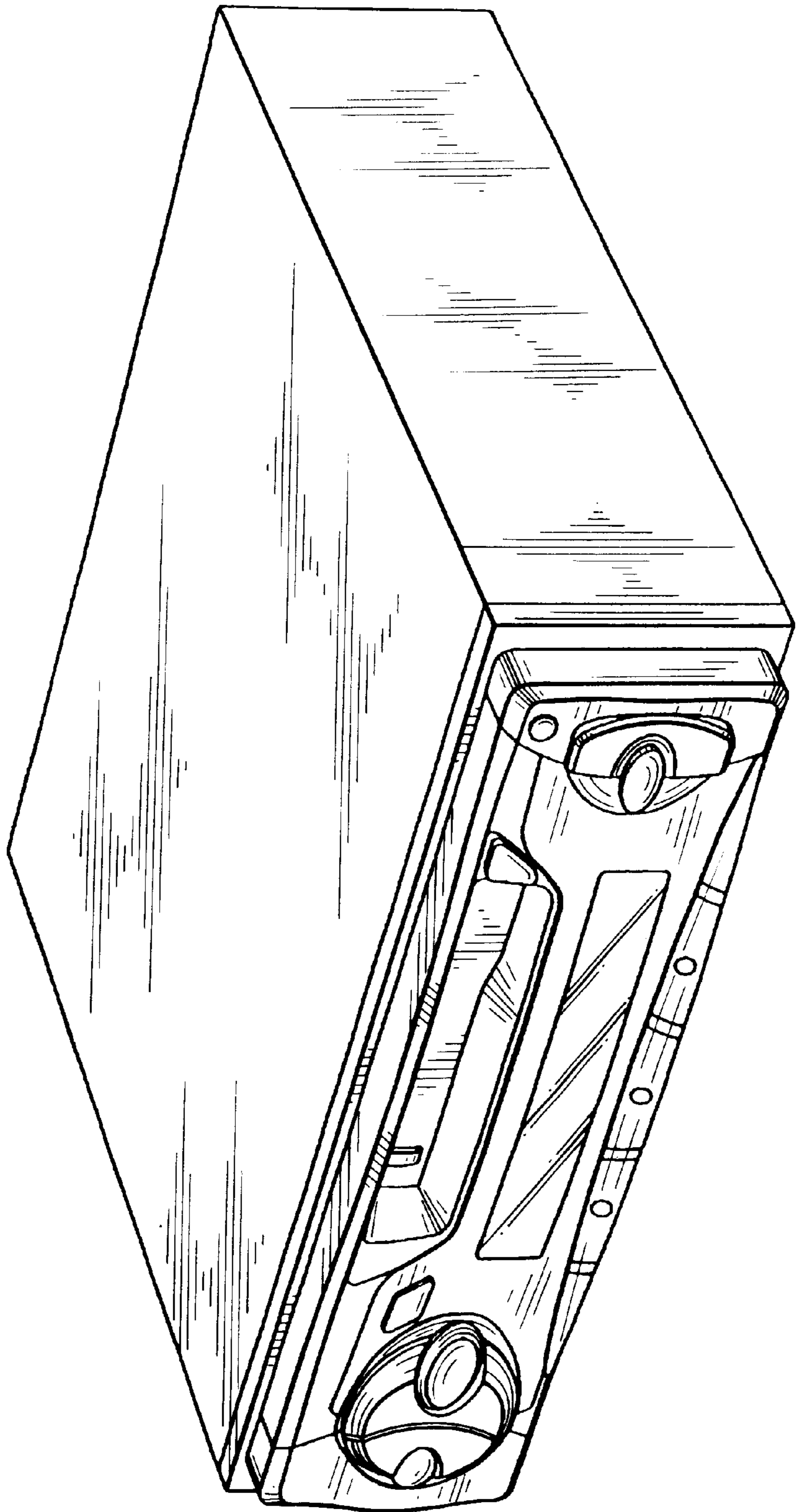
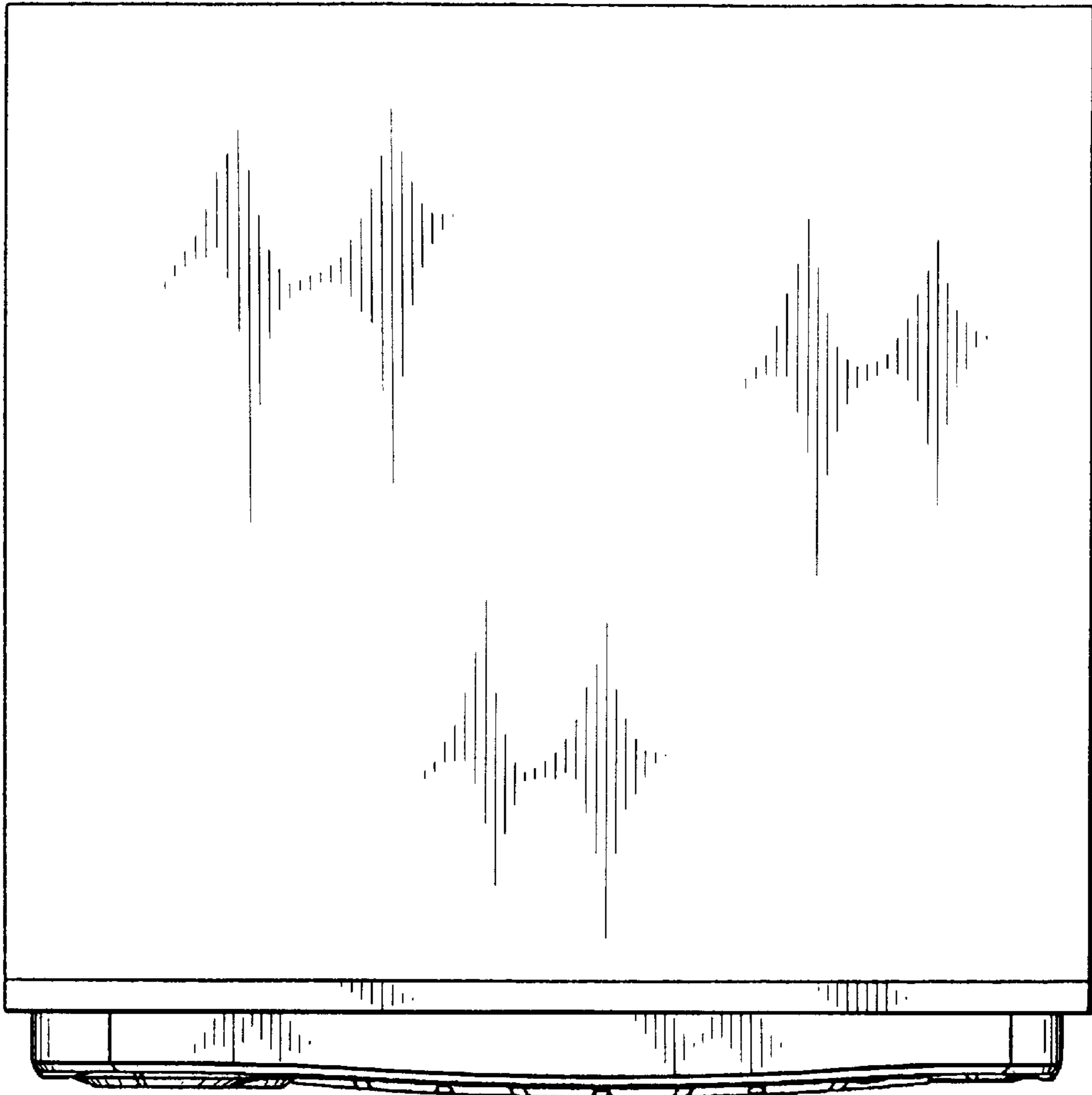


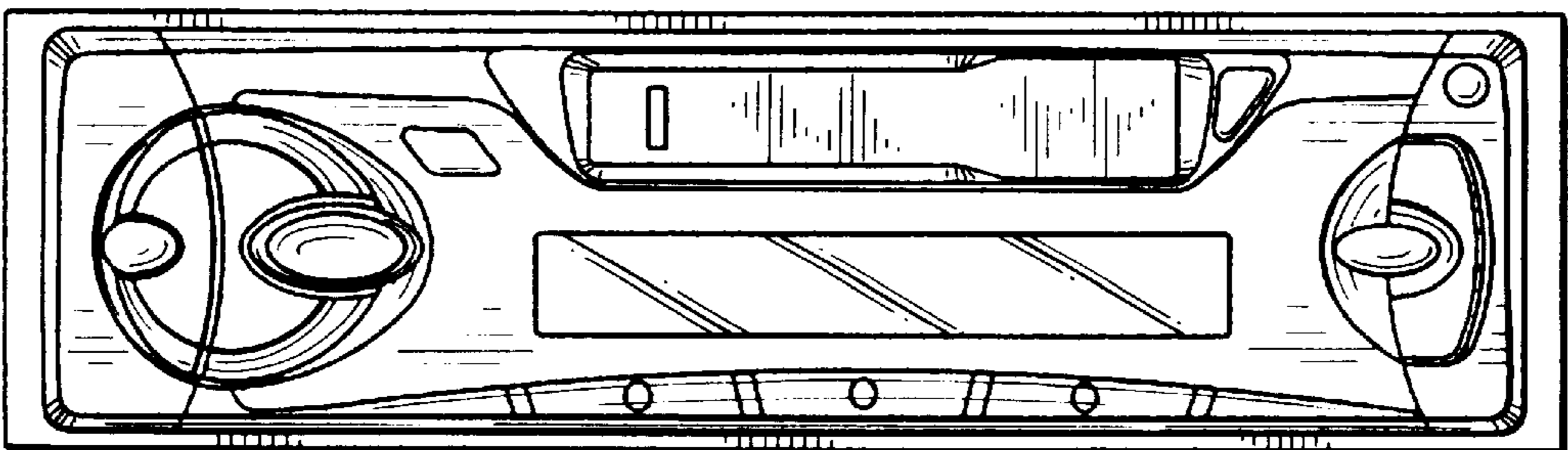
FIG. 1



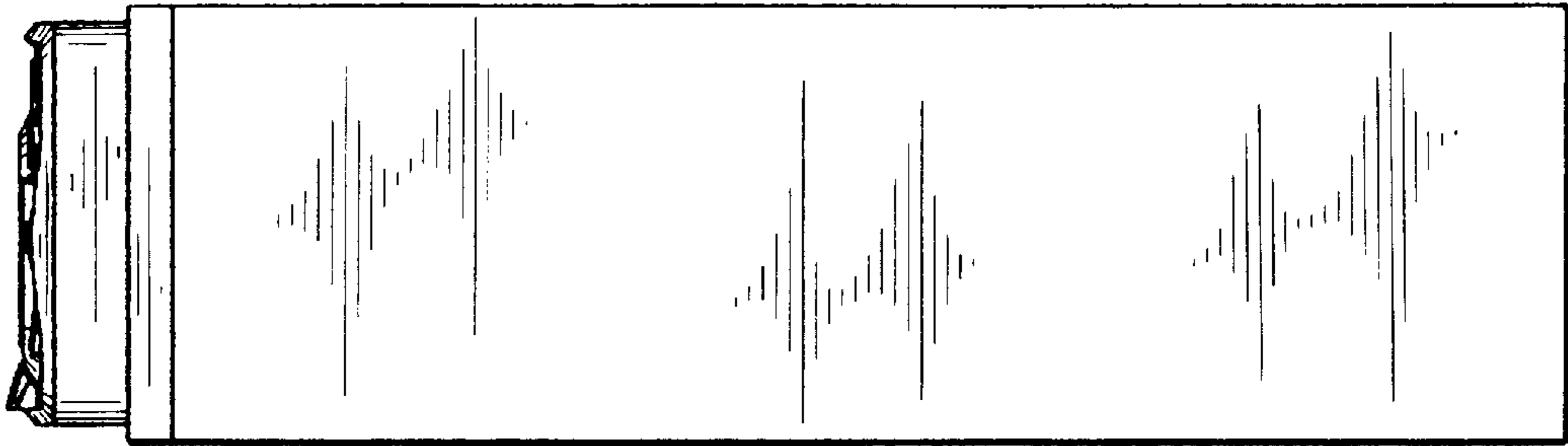
*FIG. 2*



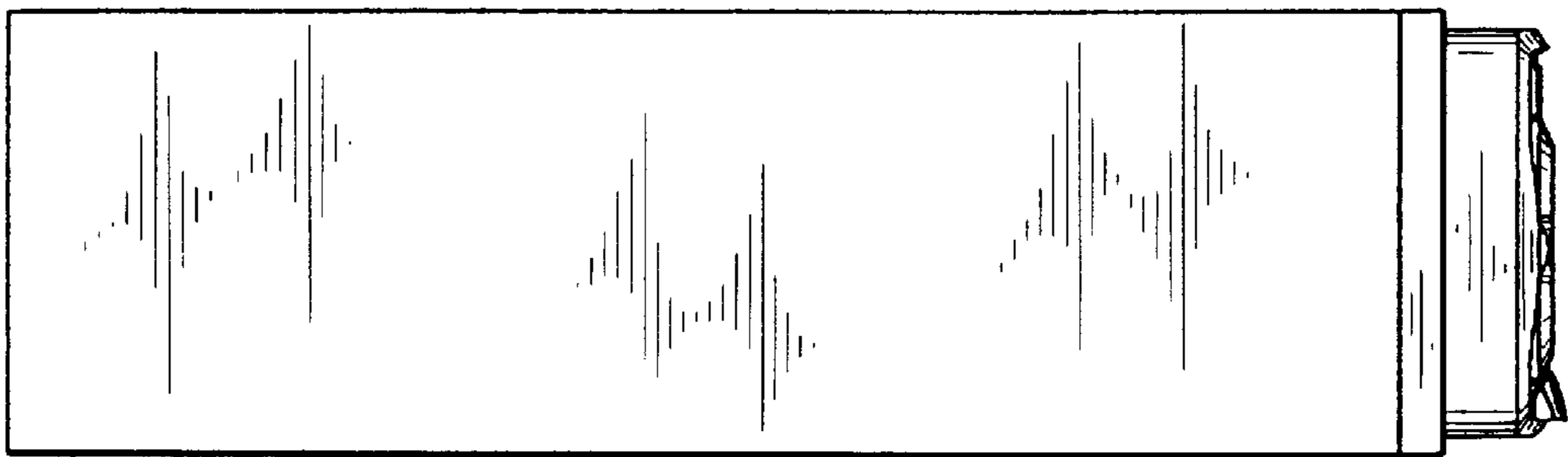
*FIG. 3*



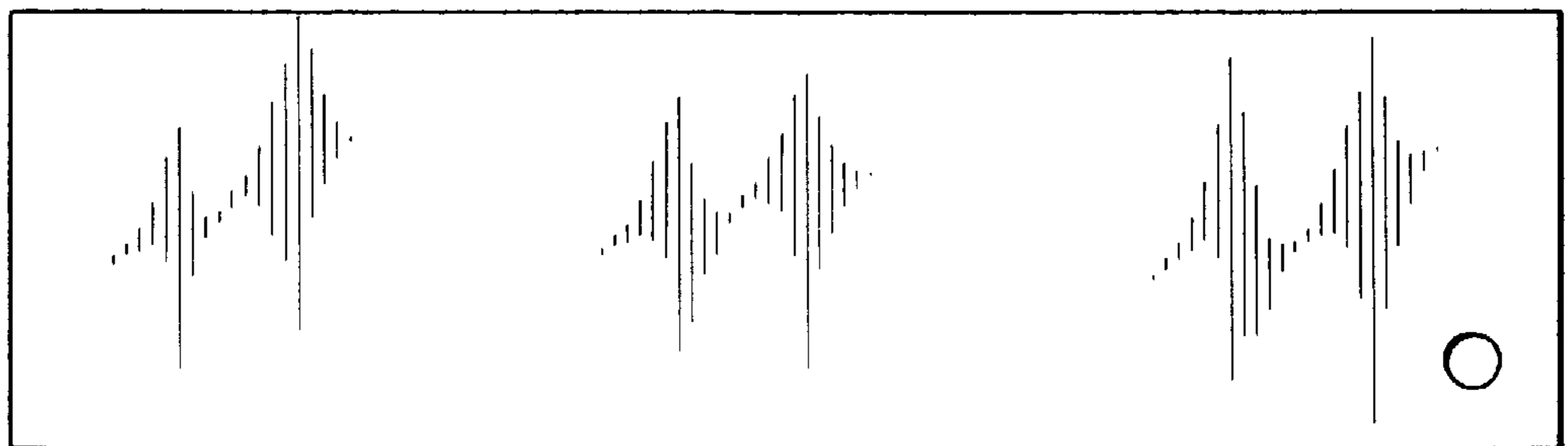
*FIG. 4*



*FIG. 5*



*FIG. 6*



*FIG. 7*

