



US00D445763S

(12) **United States Design Patent**
Corona

(10) **Patent No.:** **US D445,763 S**

(45) **Date of Patent:** **** Jul. 31, 2001**

(54) **ELECTRICAL PLUG HOUSING**

(75) **Inventor:** Sergio Corona, Upland, CA (US)

(73) **Assignee:** DSM&T Co. Inc., Fontana, CA (US)

(**) **Term:** 14 Years

(21) **Appl. No.:** 29/134,050

(22) **Filed:** Dec. 13, 2000

(51) **LOC (7) Cl.** 13-03

(52) **U.S. Cl.** D13/133

(58) **Field of Search** D13/133; 439/164,
439/165, 721, 283, 286, 372, 777

(56) **References Cited**

U.S. PATENT DOCUMENTS

D. 360,871	*	8/1995	Wilson	D13/133
D. 373,566	*	9/1996	Rak et al.	D13/133
D. 373,567	*	9/1996	Rak et al.	D13/133
5,435,738	*	7/1995	Isohata	439/271 X
5,507,664	*	4/1996	Carmo	439/372

* cited by examiner

Primary Examiner—Joel Sincavage

(74) *Attorney, Agent, or Firm*—Collard & Roe, P.C.

(57) **CLAIM**

The ornamental design for an electrical plug housing, as shown and described.

DESCRIPTION

FIG. 1 shows a front and upper right perspective view of the electrical plug housing according to the invention;

FIG. 2 shows a front view of the electrical plug housing;

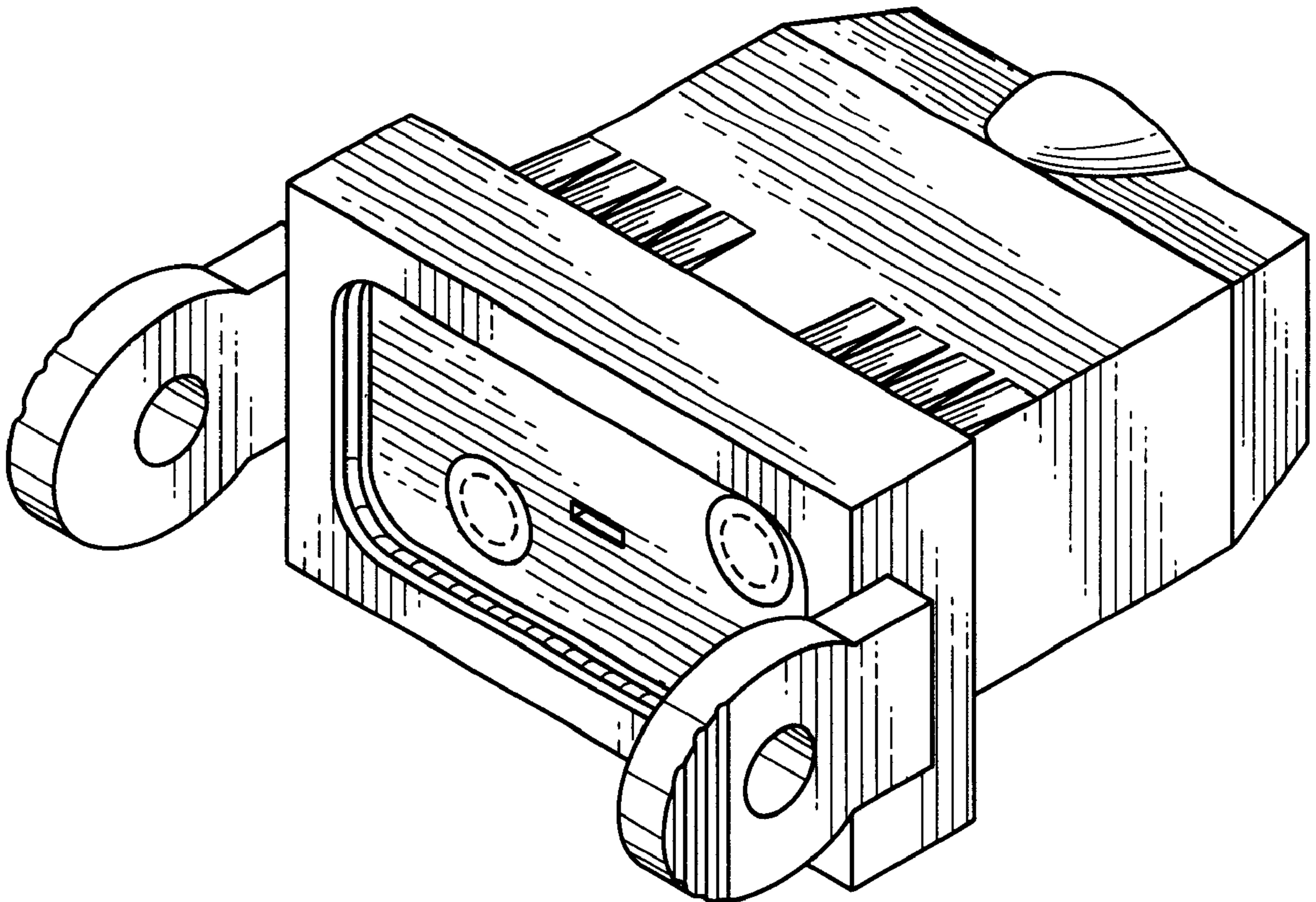
FIG. 3 shows a side view of the electrical plug housing with the opposite side being the same;

FIG. 4 shows a bottom plan view of the electrical plug housing; and,

FIG. 5 shows a rear view of the electrical plug housing.

The broken lines showing the contact receptacles in FIGS. 1 and 2 along with the conductors in FIG. 5 are included for the purpose of illustrating environmental structure only and form no part of the claimed design.

1 Claim, 2 Drawing Sheets



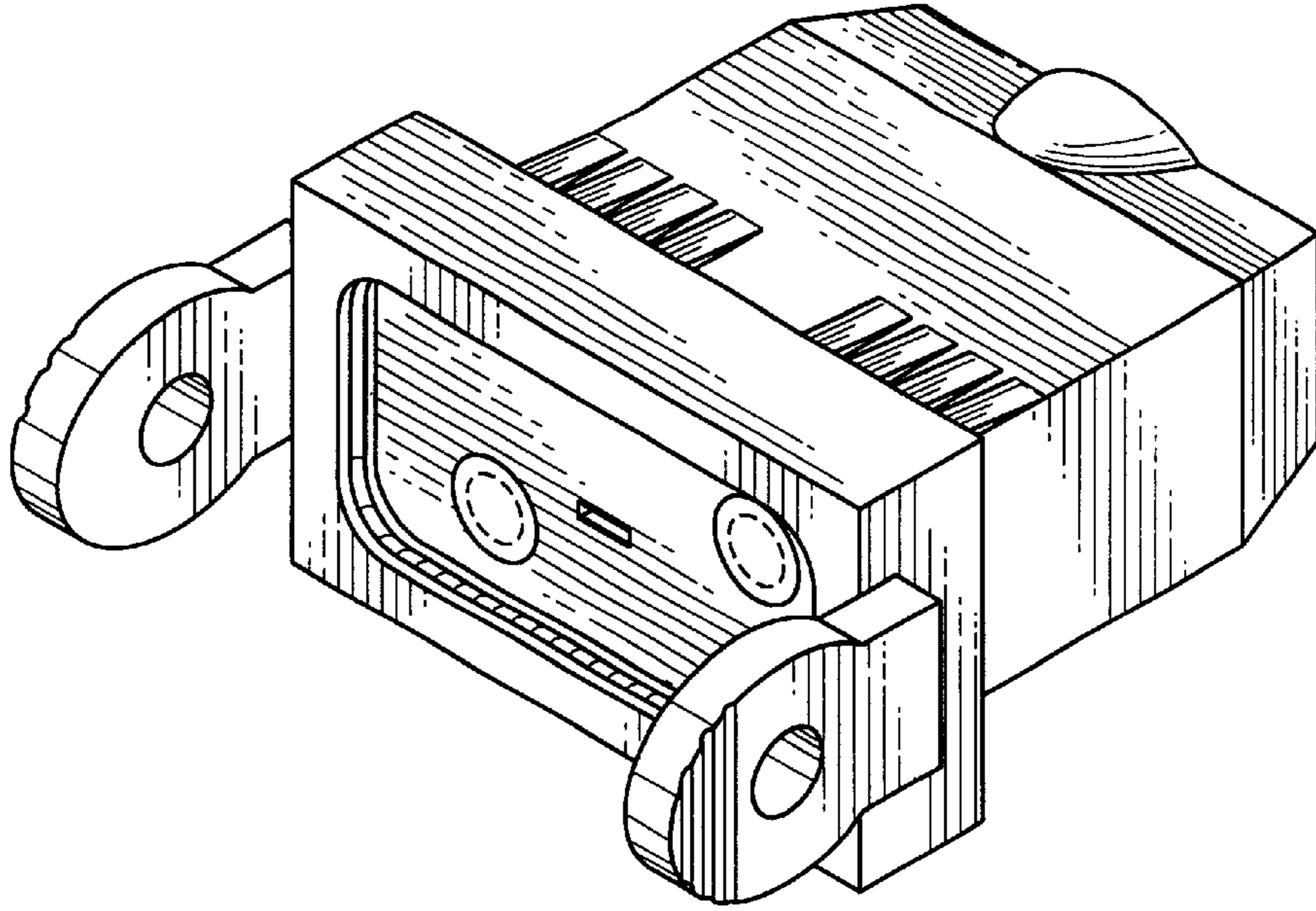


Fig. 1

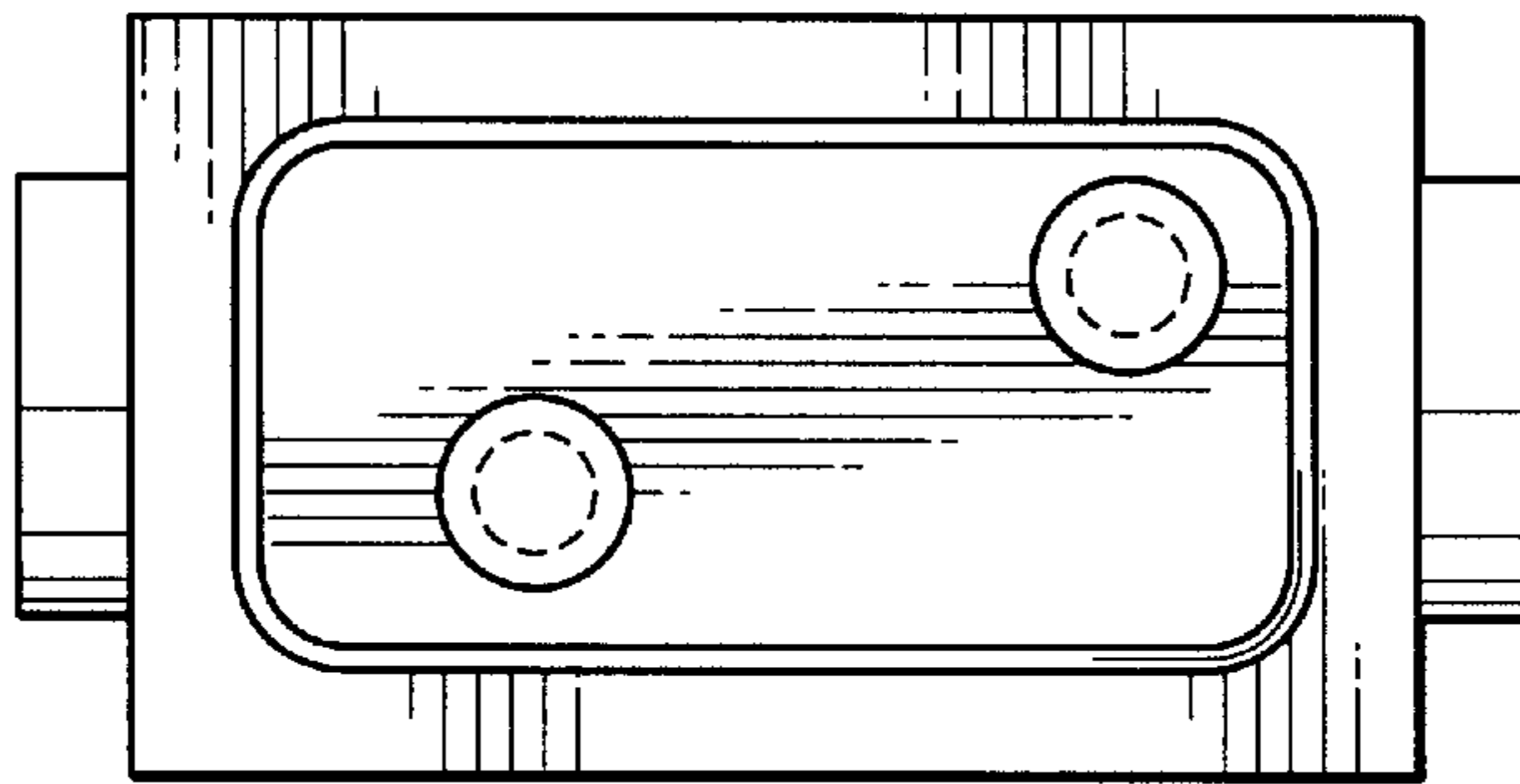


Fig. 2

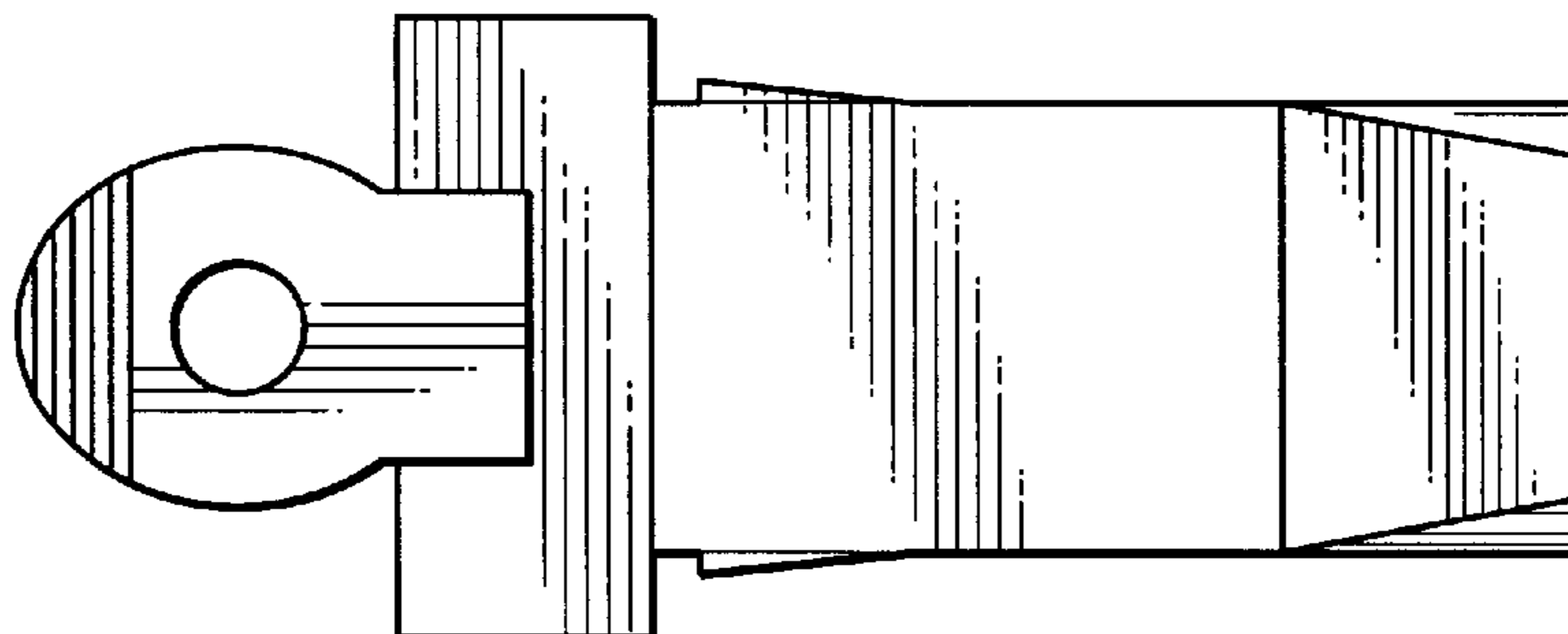


Fig. 3

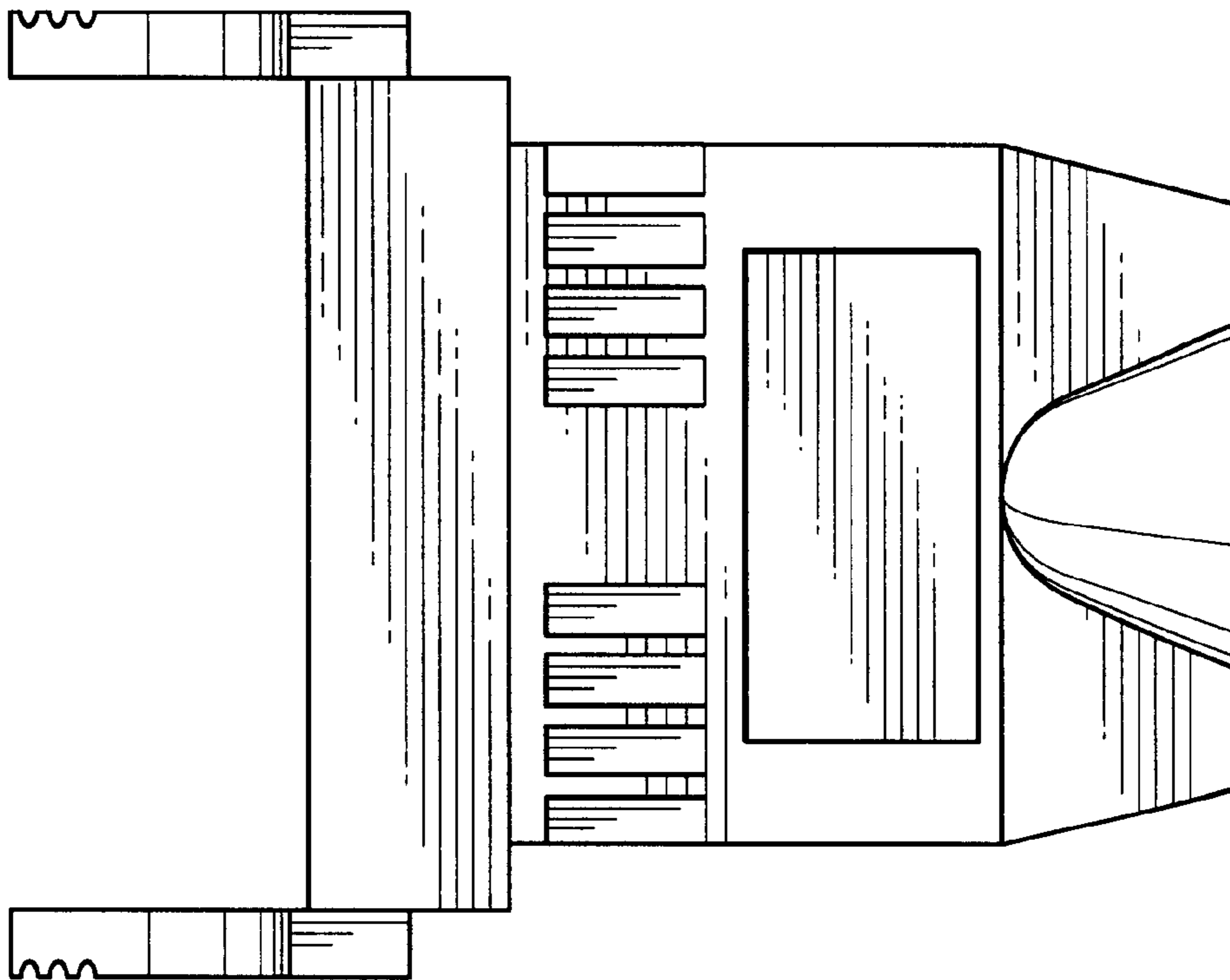


Fig. 4

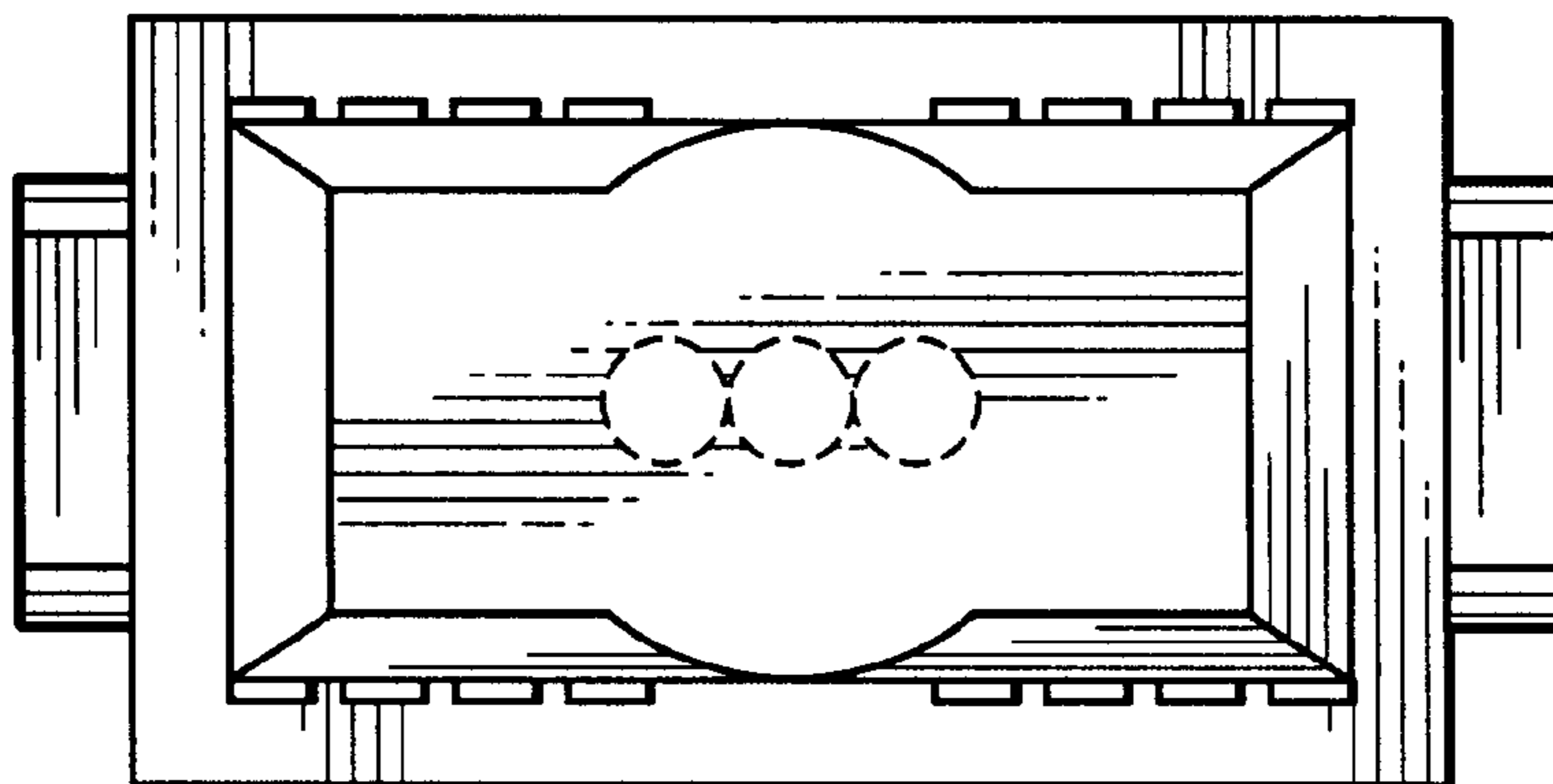


Fig. 5