



US00D445761S

(12) **United States Design Patent**
Weng

(10) **Patent No.:** **US D445,761 S**

(45) **Date of Patent:** **** Jul. 31, 2001**

(54) **EXTRACTABLE POWER SUPPLY**

5,949,653 * 9/1999 Weng 361/735

5,973,947 * 10/1999 Shih 363/144

6,169,661 * 1/2001 Lee 307/150 X

(75) Inventor: **Hsien-Tang Weng**, Hsin-Tien (TW)

(73) Assignee: **Shin Jih Corp.**, Hsin-Tien (TW)

* cited by examiner

(**) Term: **14 Years**

Primary Examiner—Joel Sincavage

(74) *Attorney, Agent, or Firm*—Bacon & Thomas, PLLC

(21) Appl. No.: **29/131,932**

(57) **CLAIM**

(22) Filed: **Oct. 31, 2000**

The ornamental design for extractable power supply, as shown and described.

(51) **LOC (7) Cl.** **13-02**

(52) **U.S. Cl.** **D13/110**

(58) **Field of Search** D13/110, 123;
307/150; 361/679, 695, 725, 727

DESCRIPTION

FIG. 1 is a perspective view of a extractable power supply showing our new design thereof;

FIG. 2 is a right side elevation view thereof;

FIG. 3 is a top plan view thereof;

FIG. 4 is a front elevation view thereof,

FIG. 5 is a bottom plan view thereof;

FIG. 6 is a left side elevation view thereof;

FIG. 7 is a rear side elevation view thereof; and,

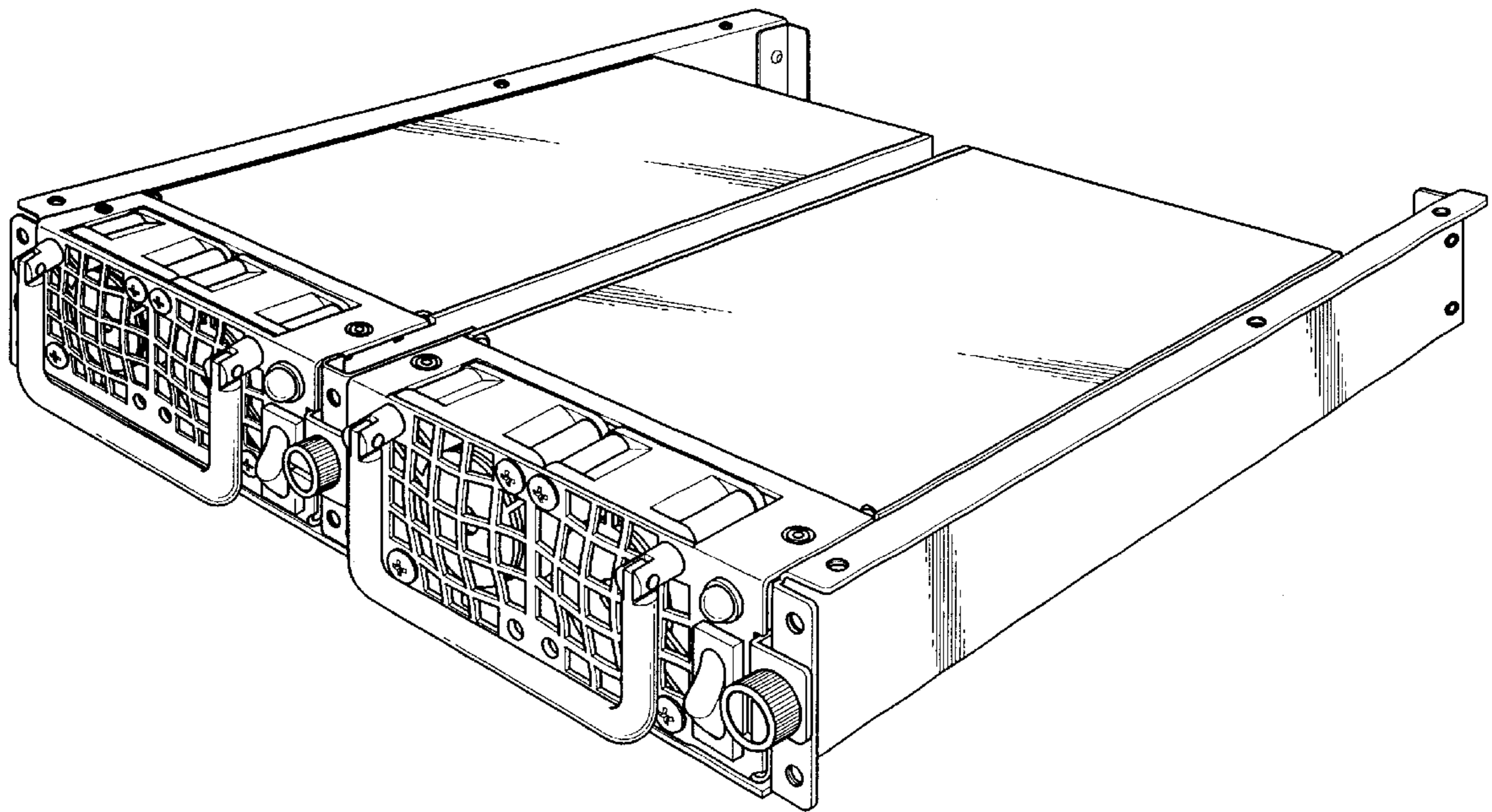
FIG. 8 is a applied view when the extractable power supply is extracted.

(56) **References Cited**

U.S. PATENT DOCUMENTS

D. 418,808	*	1/2000	Lee	D13/110
D. 431,810	*	10/2000	Weng	D13/110
D. 435,828	*	1/2001	Chou	D13/110
D. 436,075	*	1/2001	Chou	D13/110
5,587,881	*	12/1996	Wang	361/695
5,699,241	*	12/1997	Fujikawa	363/144
5,808,867	*	9/1998	Wang	361/695
5,949,652	*	9/1999	McAnally et al.	361/727 X

1 Claim, 8 Drawing Sheets



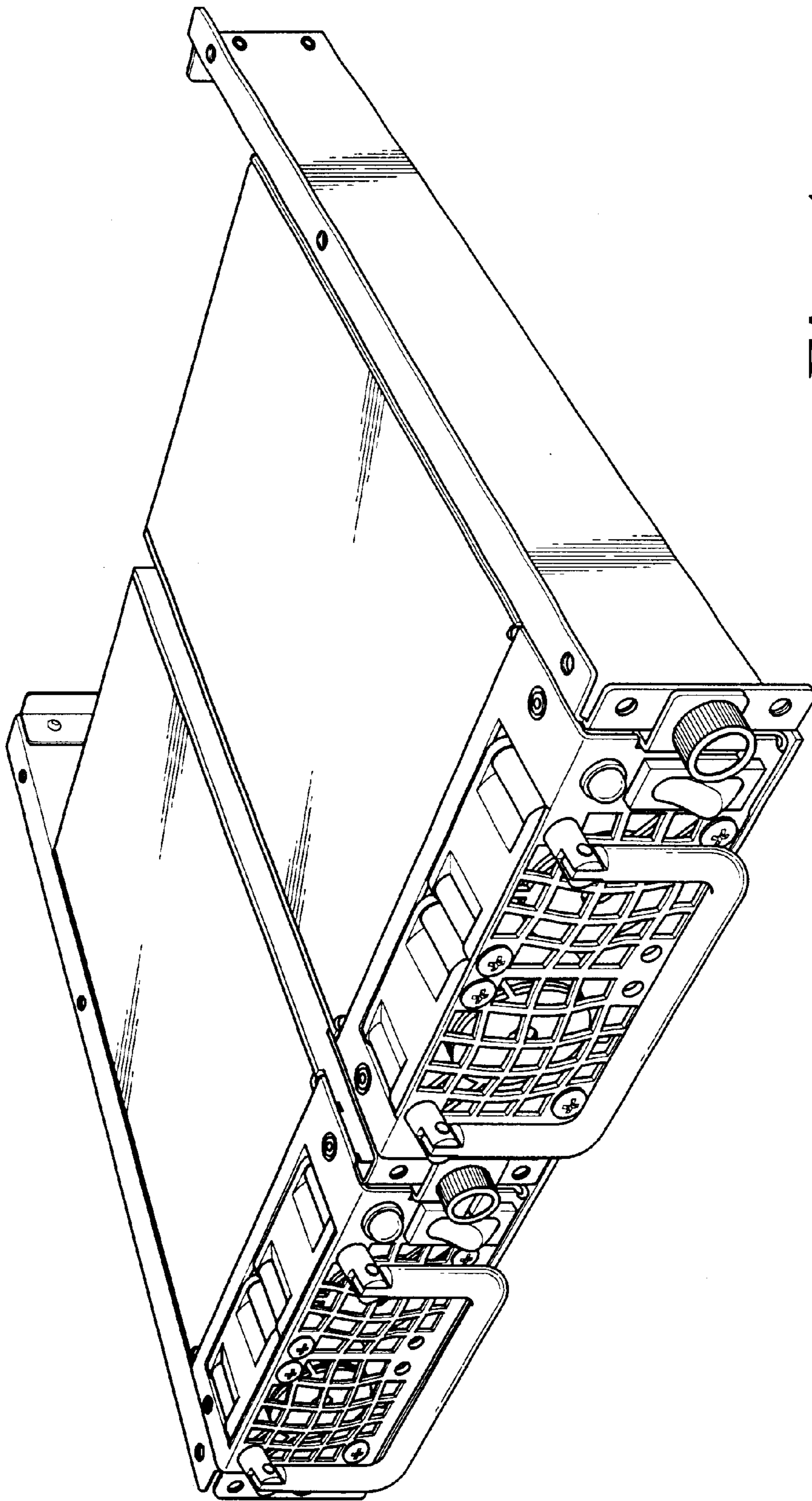


Fig. 1

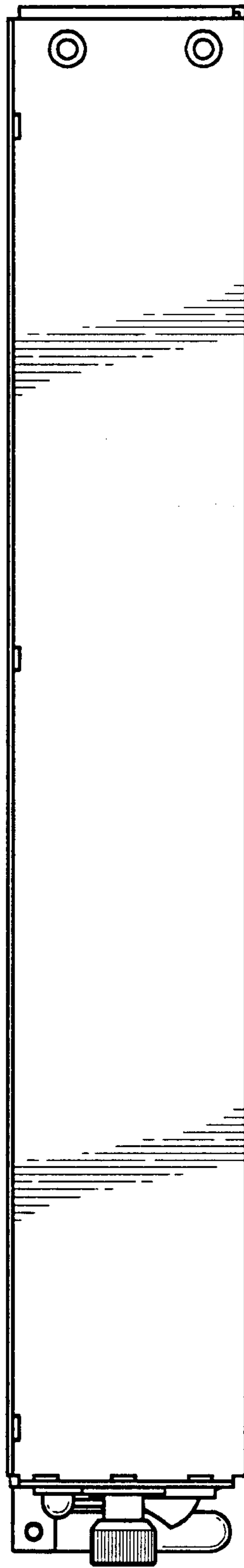


Fig. 2

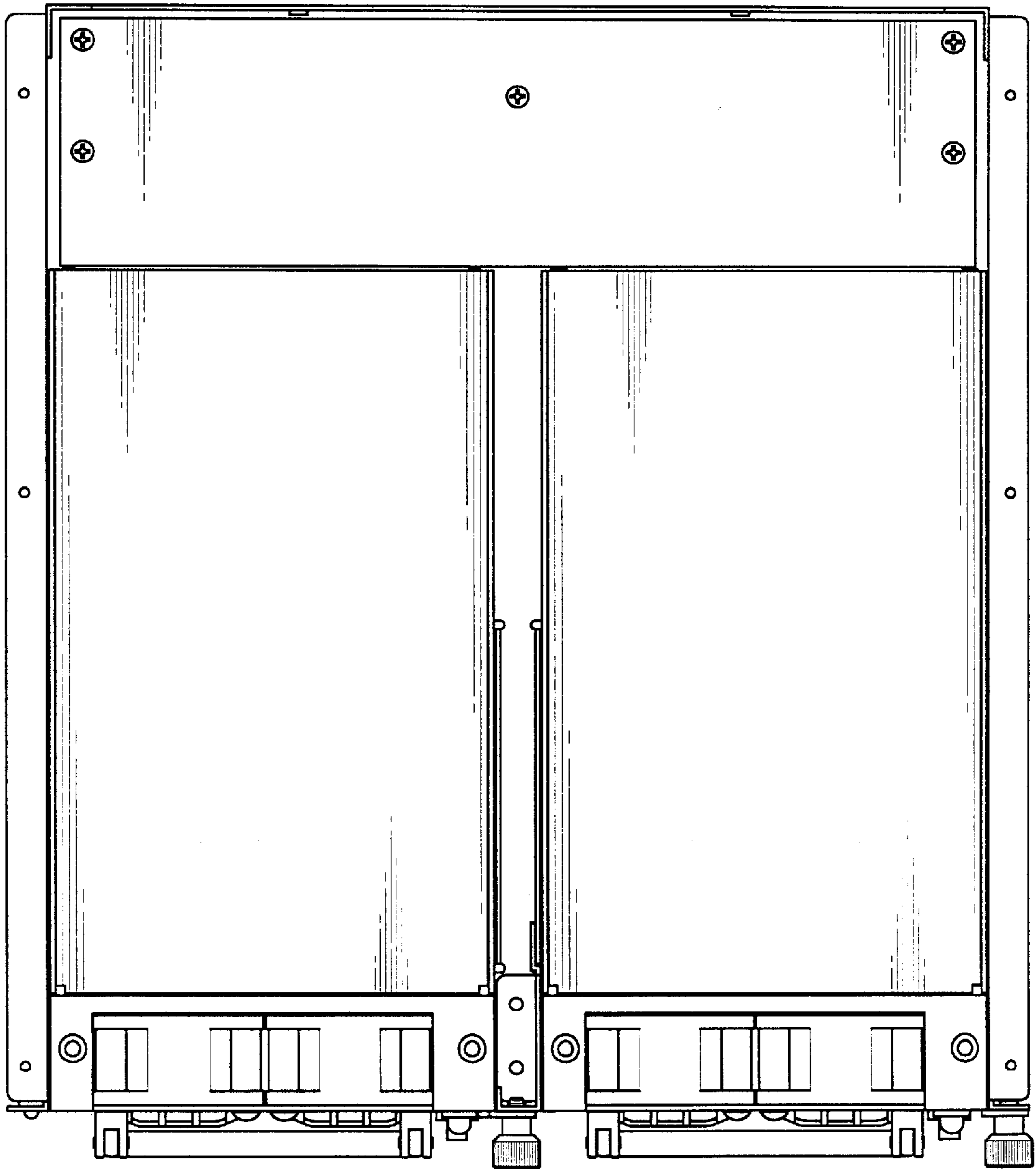


Fig. 3

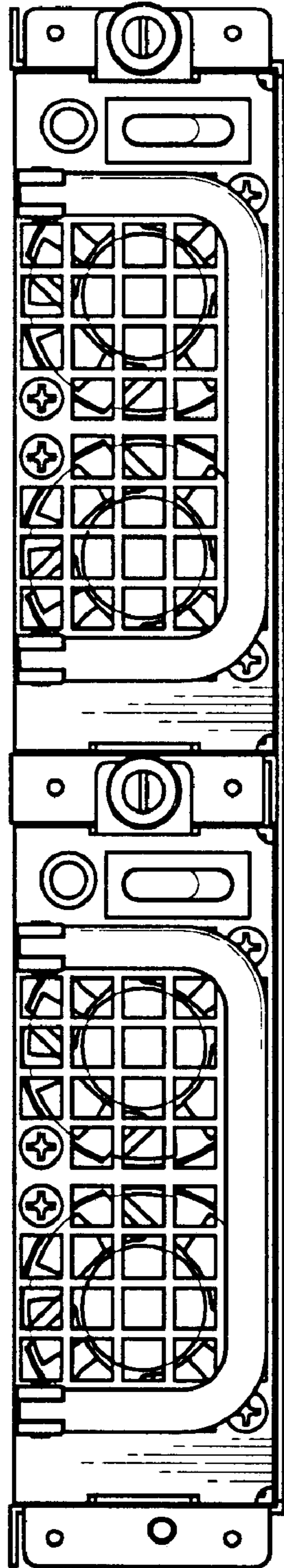


Fig. 4

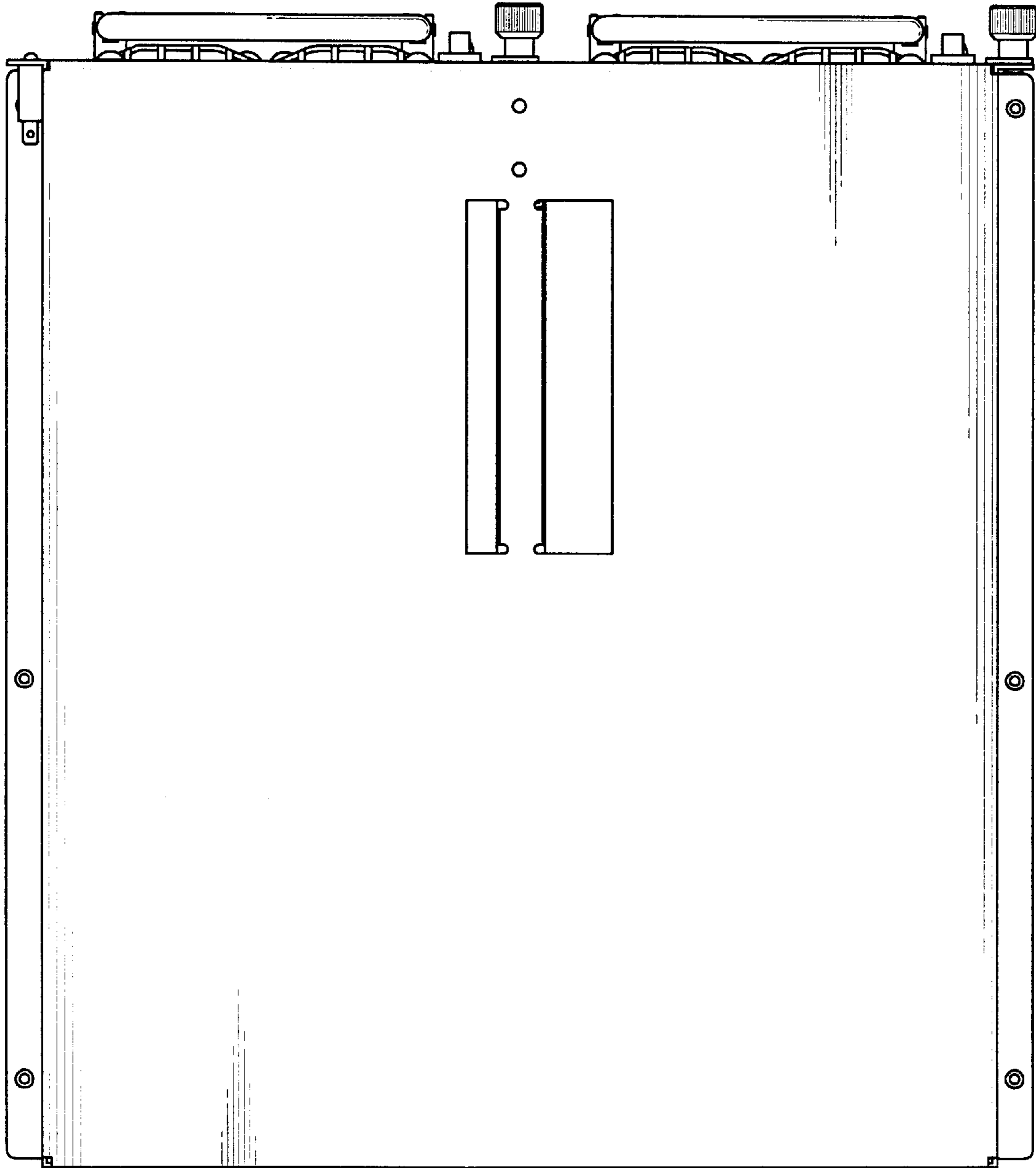


Fig. 5

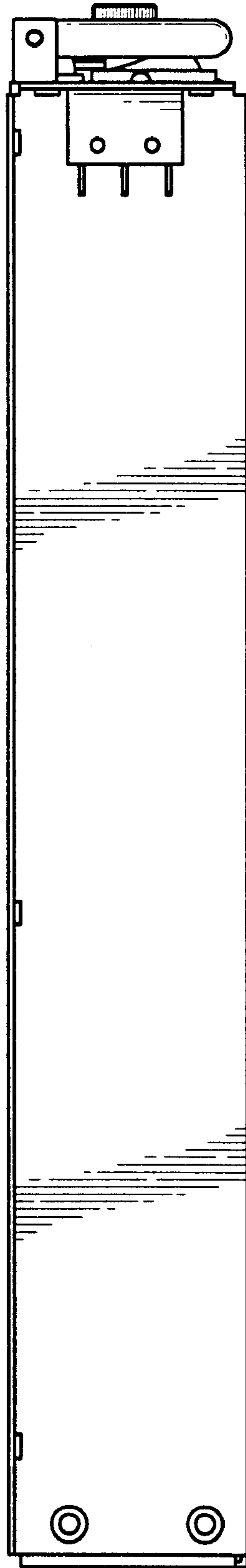


Fig. 6

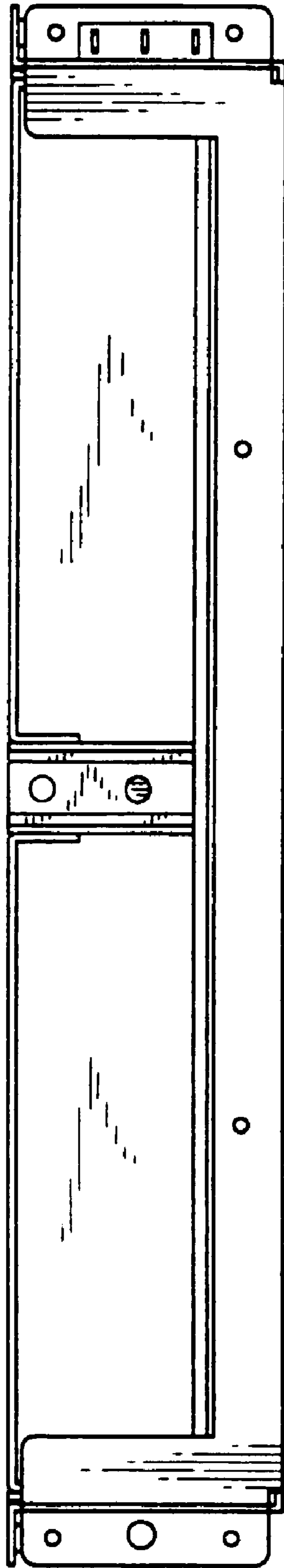


Fig. 7

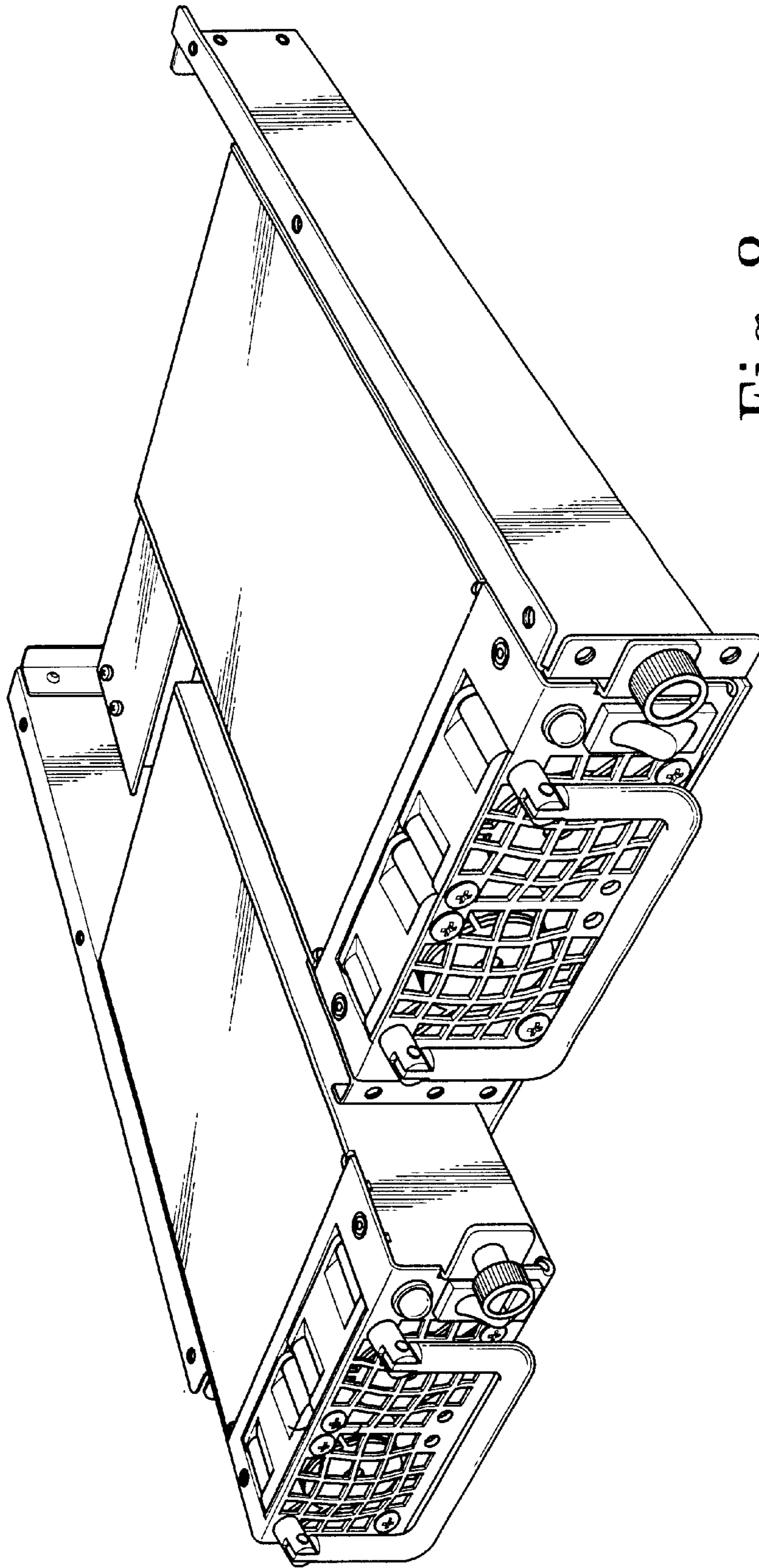


Fig. 8