



US00D445760S

(12) **United States Design Patent** (10) **Patent No.:** **US D445,760 S**
Minagawa et al. (45) **Date of Patent:** **** Jul. 31, 2001**

(54) **CHARGER**

(75) Inventors: **Shozo Minagawa**, Tokyo (JP); **James M. Clark**, Midlothian, VA (US); **Tomonori Sakamoto**; **Seiichi Kawakami**, both of Hyogo (JP)

(73) Assignee: **Philip Morris Incorporated**, New York, NY (US)

(**) Term: **14 Years**

(21) Appl. No.: **29/129,701**

(22) Filed: **Sep. 21, 2000**

(51) **LOC (7) Cl.** **13-02**

(52) **U.S. Cl.** **D13/108**

(58) **Field of Search** D13/107, 108;
D14/251, 253; 320/107-115

(56) **References Cited**

U.S. PATENT DOCUMENTS

D. 389,159	*	1/1998	Patterson et al.	D14/253
D. 391,265	*	2/1998	Richter	D14/253
D. 415,771	*	10/1999	Richter	D14/253
D. 417,224	*	11/1999	Kfoury	D14/253
6,157,163	*	12/2000	Blackwood	320/115

* cited by examiner

Primary Examiner—Joel Sincavage

(74) *Attorney, Agent, or Firm*—Burns, Doane, Swecker & Mathis, LLP

(57) **CLAIM**

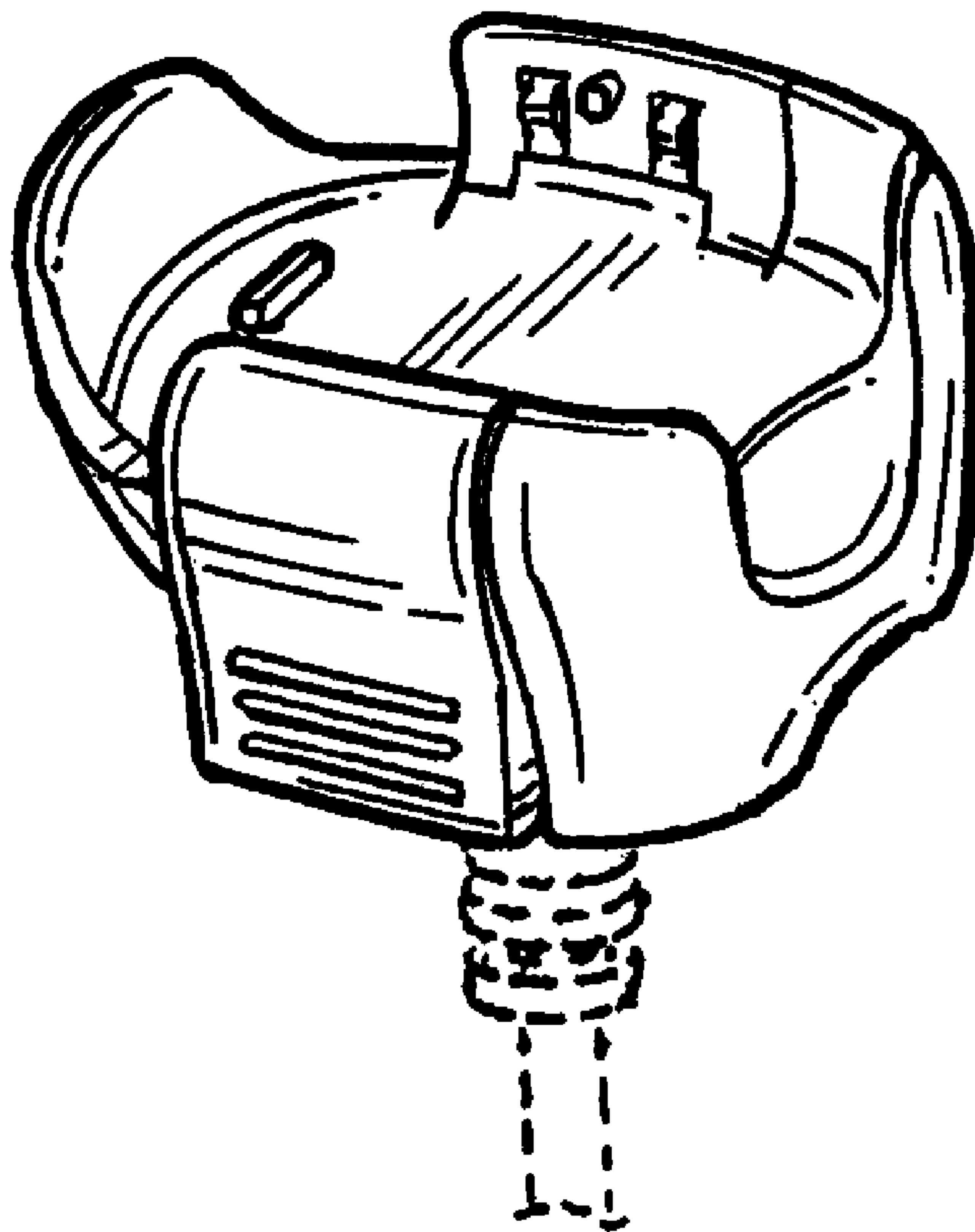
The ornamental design for a charger, as shown and described.

DESCRIPTION

FIG. 1 is a front, top perspective view of a charger showing our new design;
 FIG. 2 is a side elevational view thereof, the other side being a mirror image thereof;
 FIG. 3 is a top plan view thereof;
 FIG. 4 is a front elevational view thereof;
 FIG. 5 is a rear elevational view thereof;
 FIG. 6 is a bottom plan view thereof;
 FIG. 7 is a front, top perspective view of a charger showing a second embodiment of our new design;
 FIG. 8 is a side elevational view thereof; the other side being a mirror image thereof;
 FIG. 9 is a top plan view thereof;
 FIG. 10 is a front elevational view thereof;
 FIG. 11 is a rear view thereof; and,
 FIG. 12 is a bottom plan view thereof.

The broken line showing of a power cord on the bottom of the charger is for illustrative purposes and forms no part of the claimed design.

1 Claim, 2 Drawing Sheets



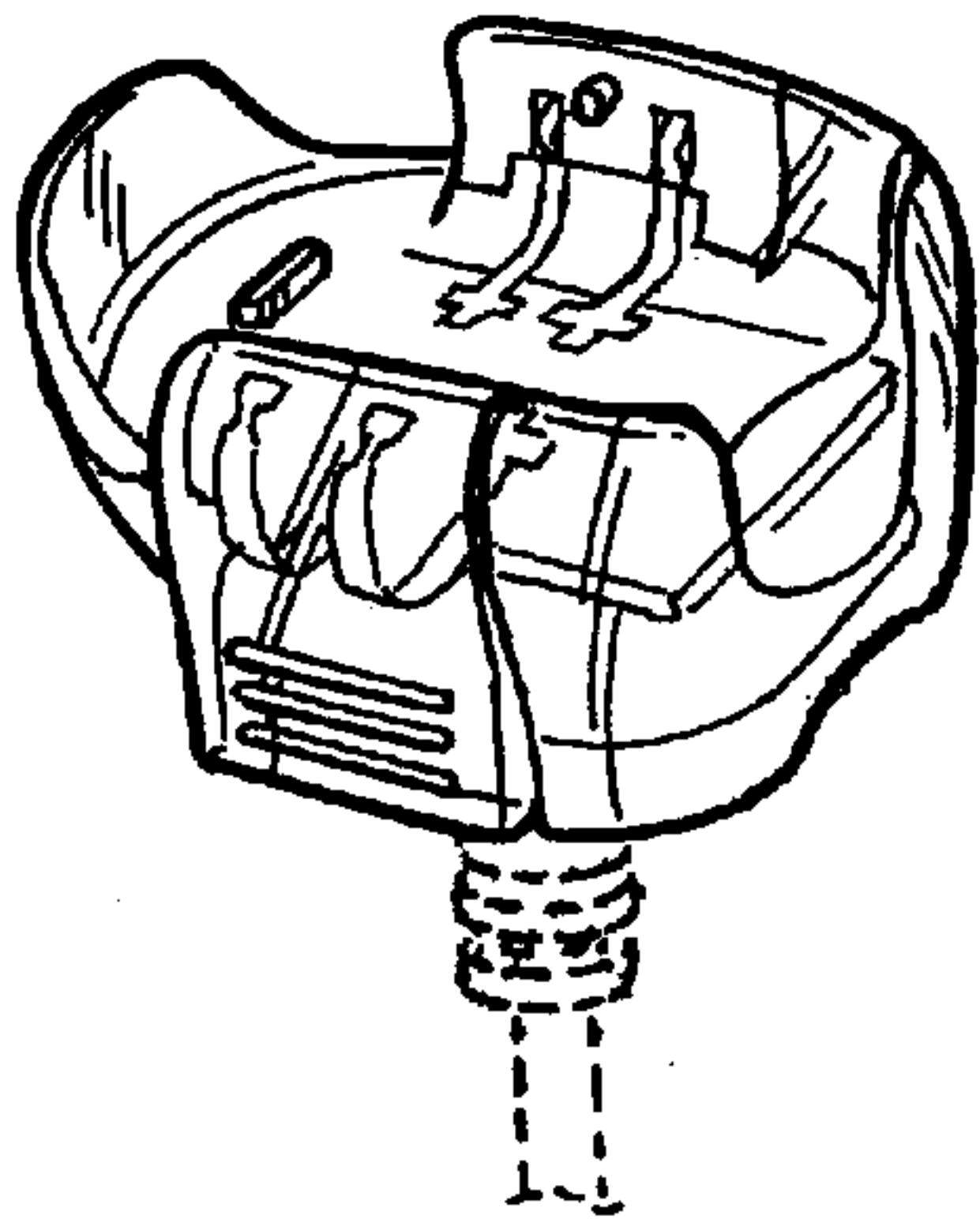


FIG. 1

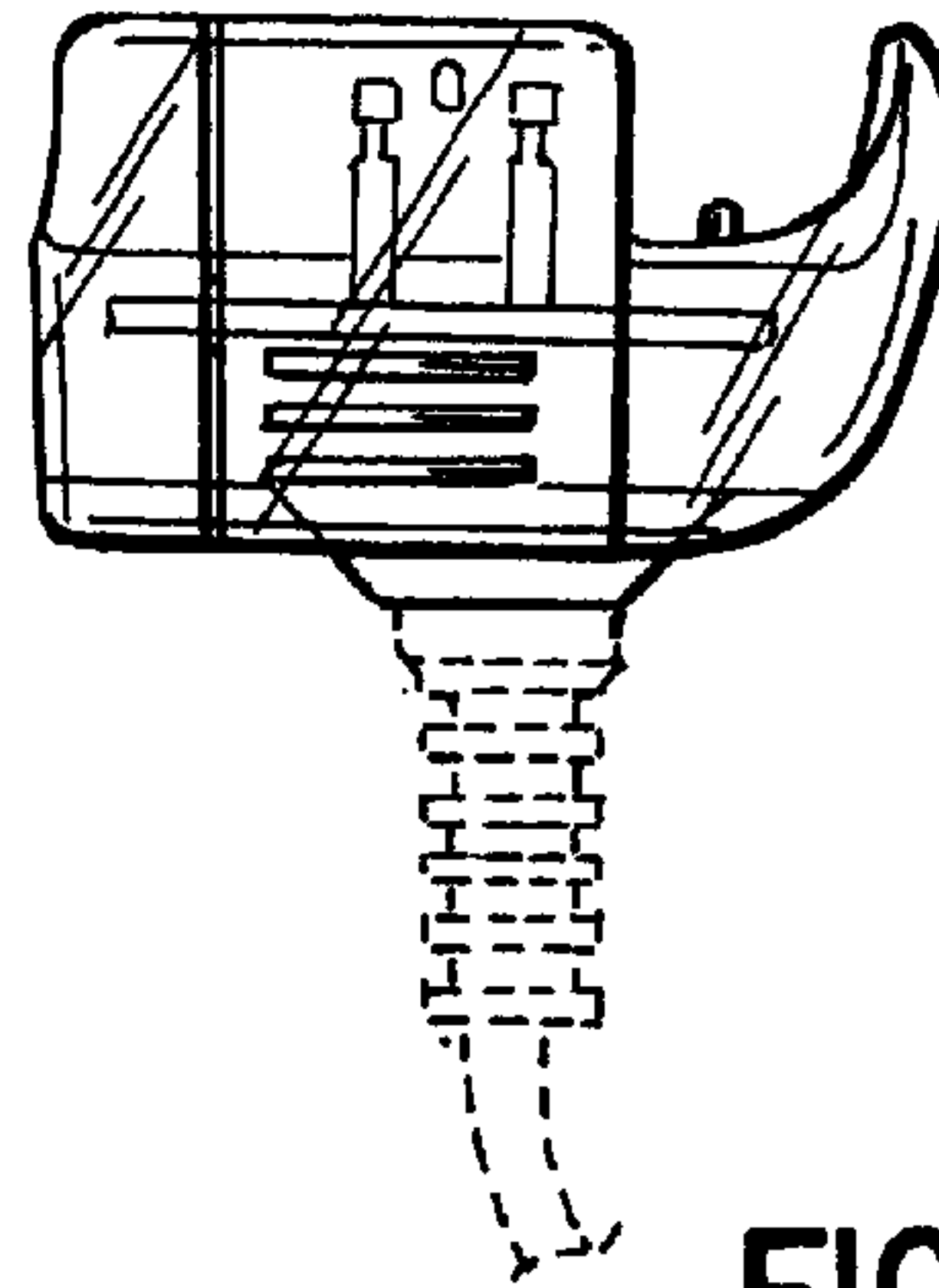


FIG. 2

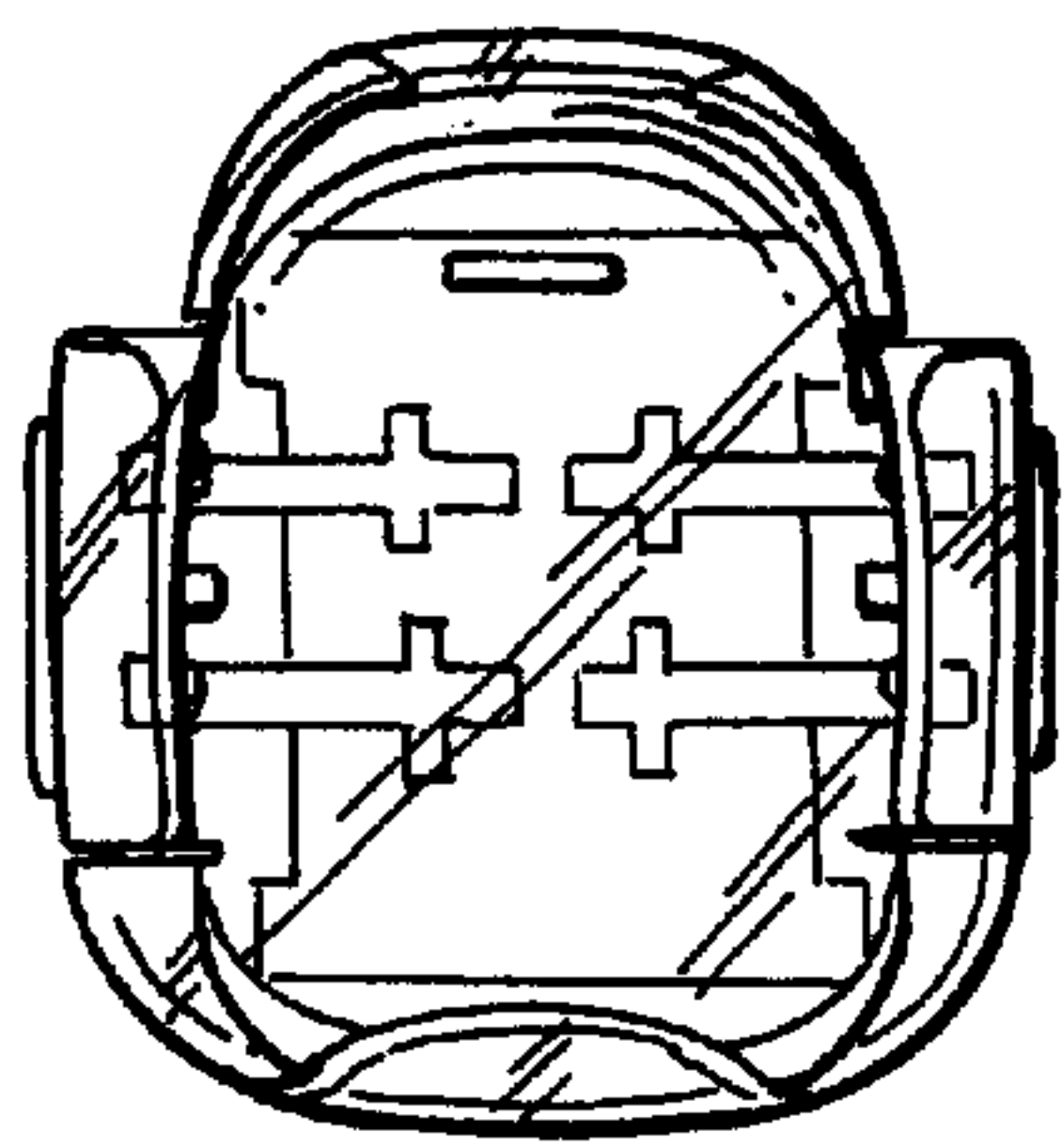


FIG. 3

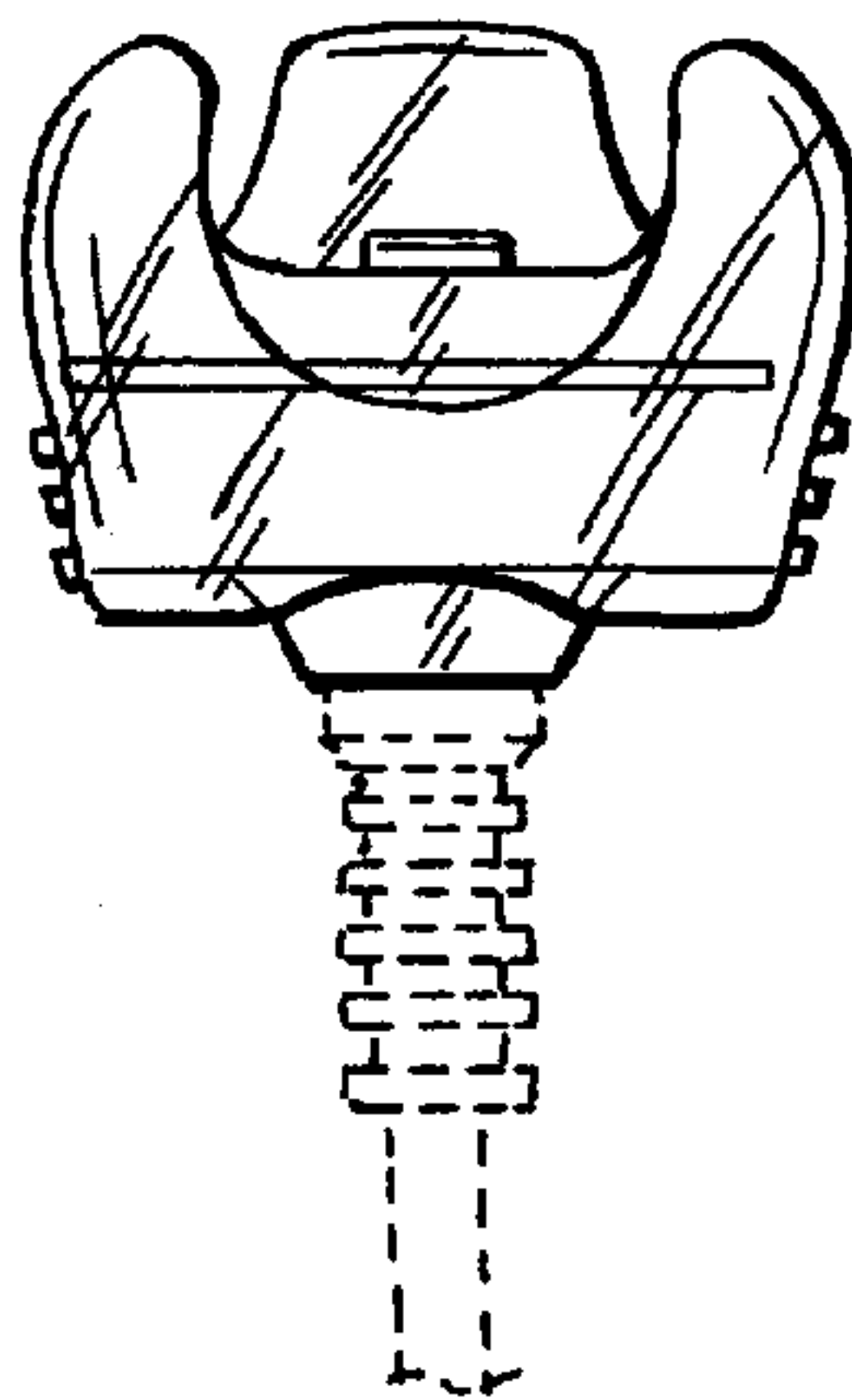


FIG. 4

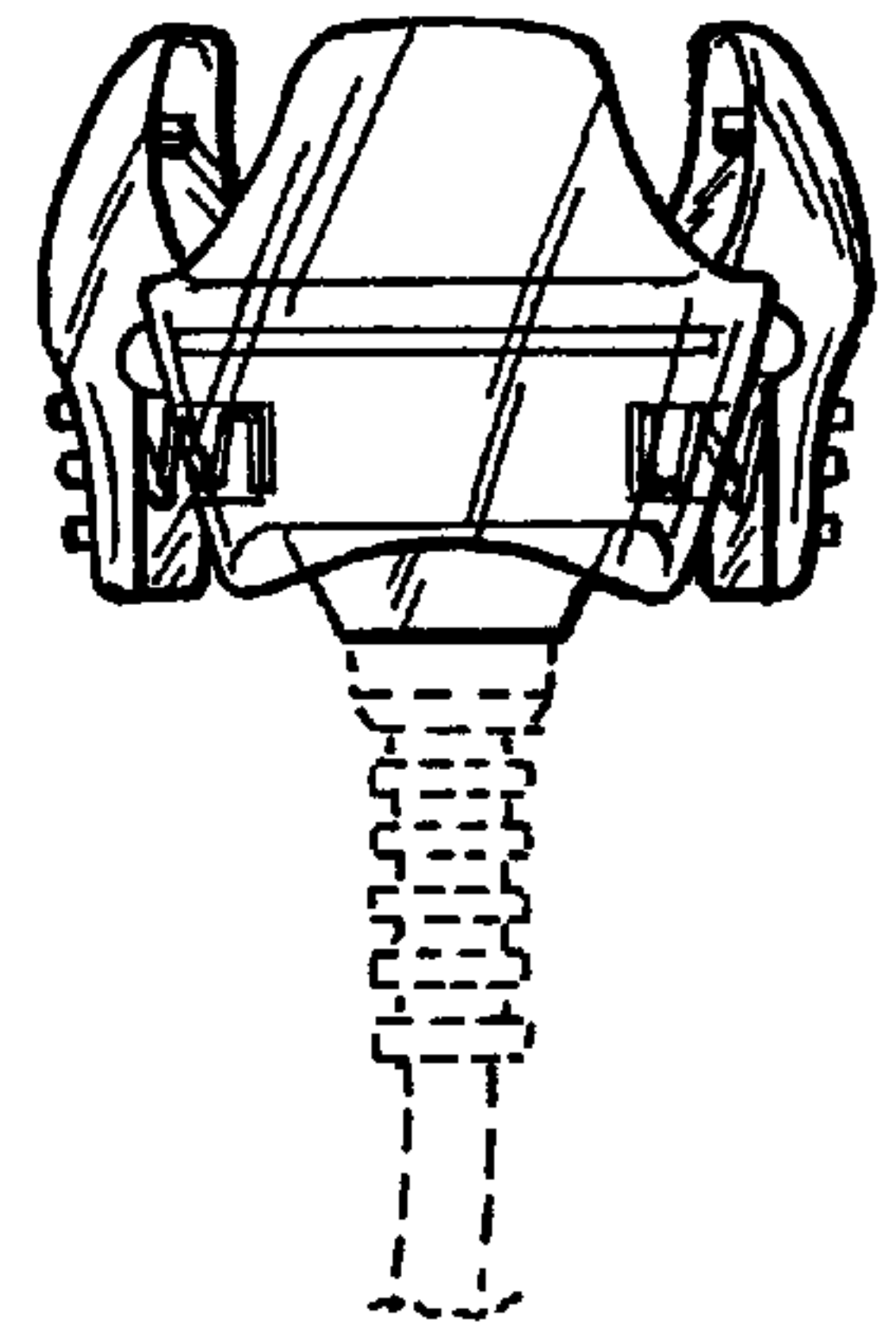


FIG. 5

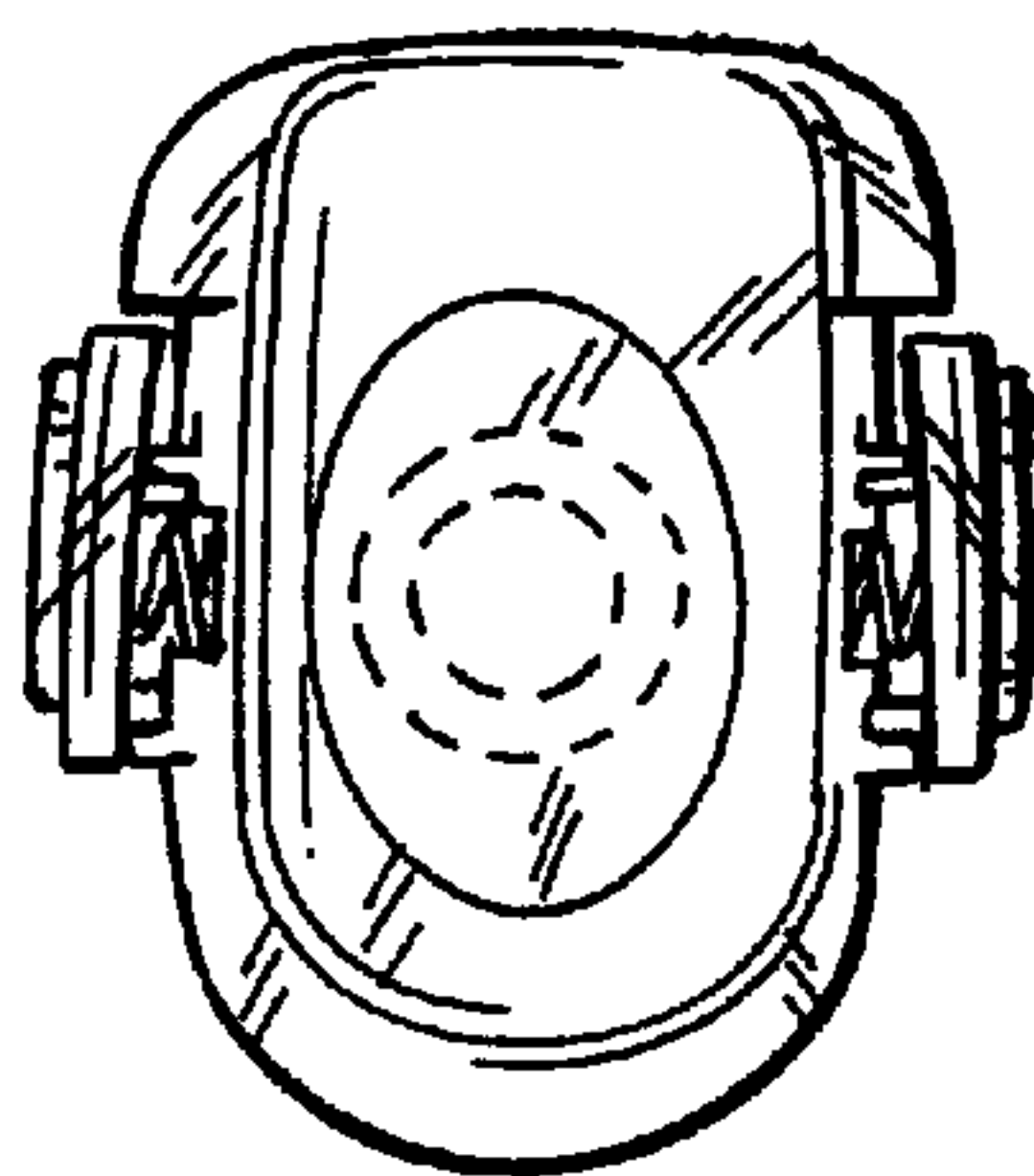


FIG. 6

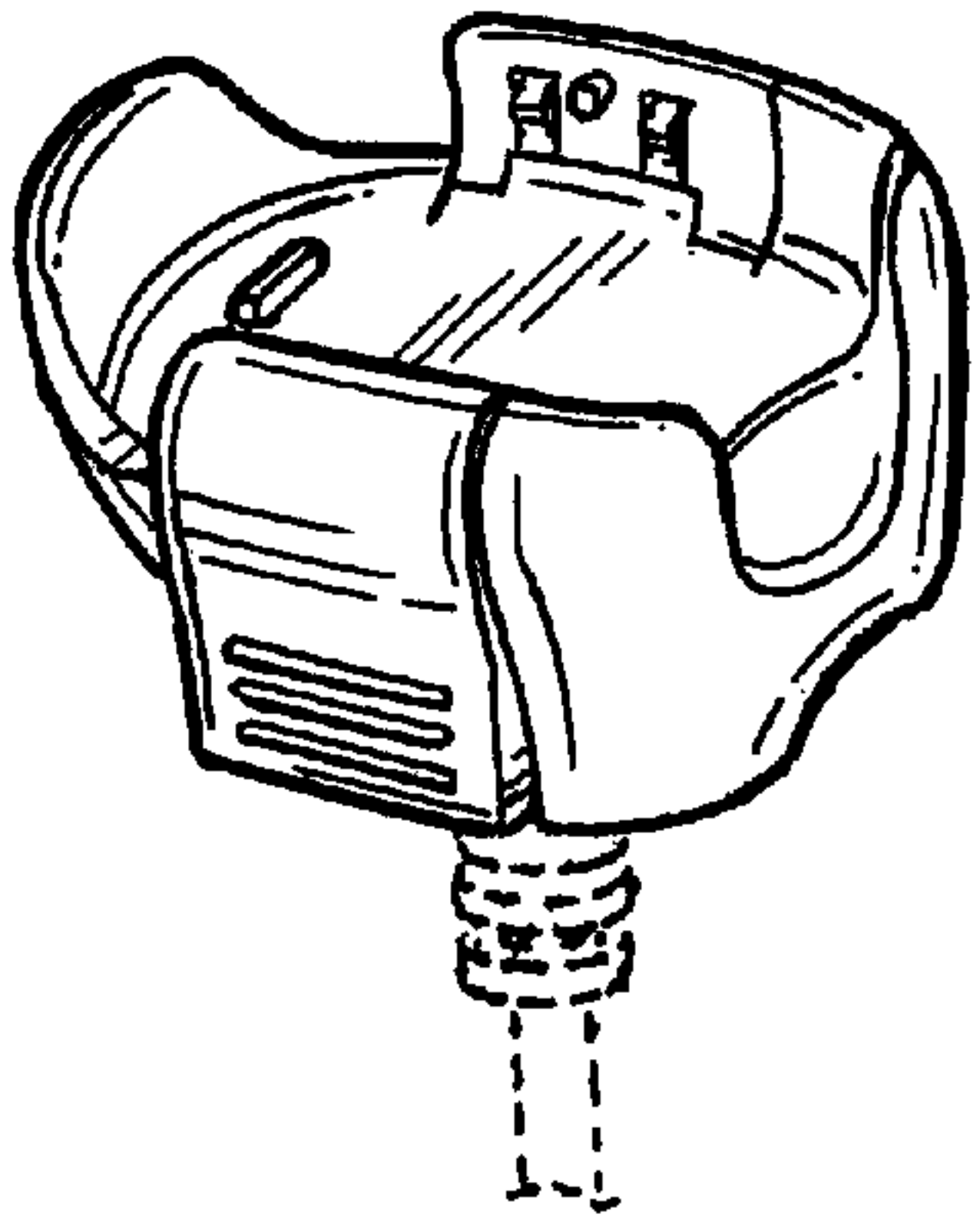


FIG. 7

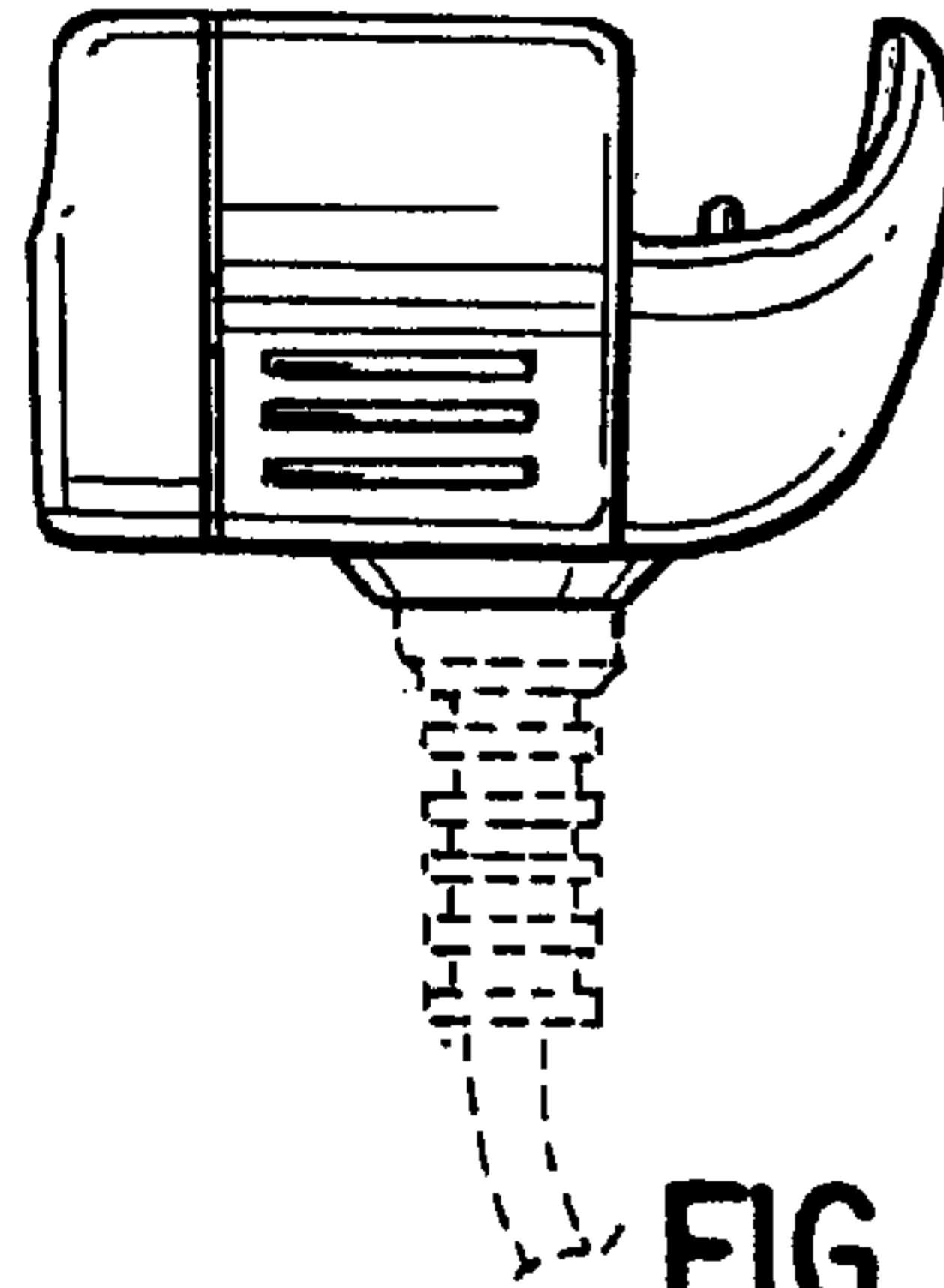


FIG. 8

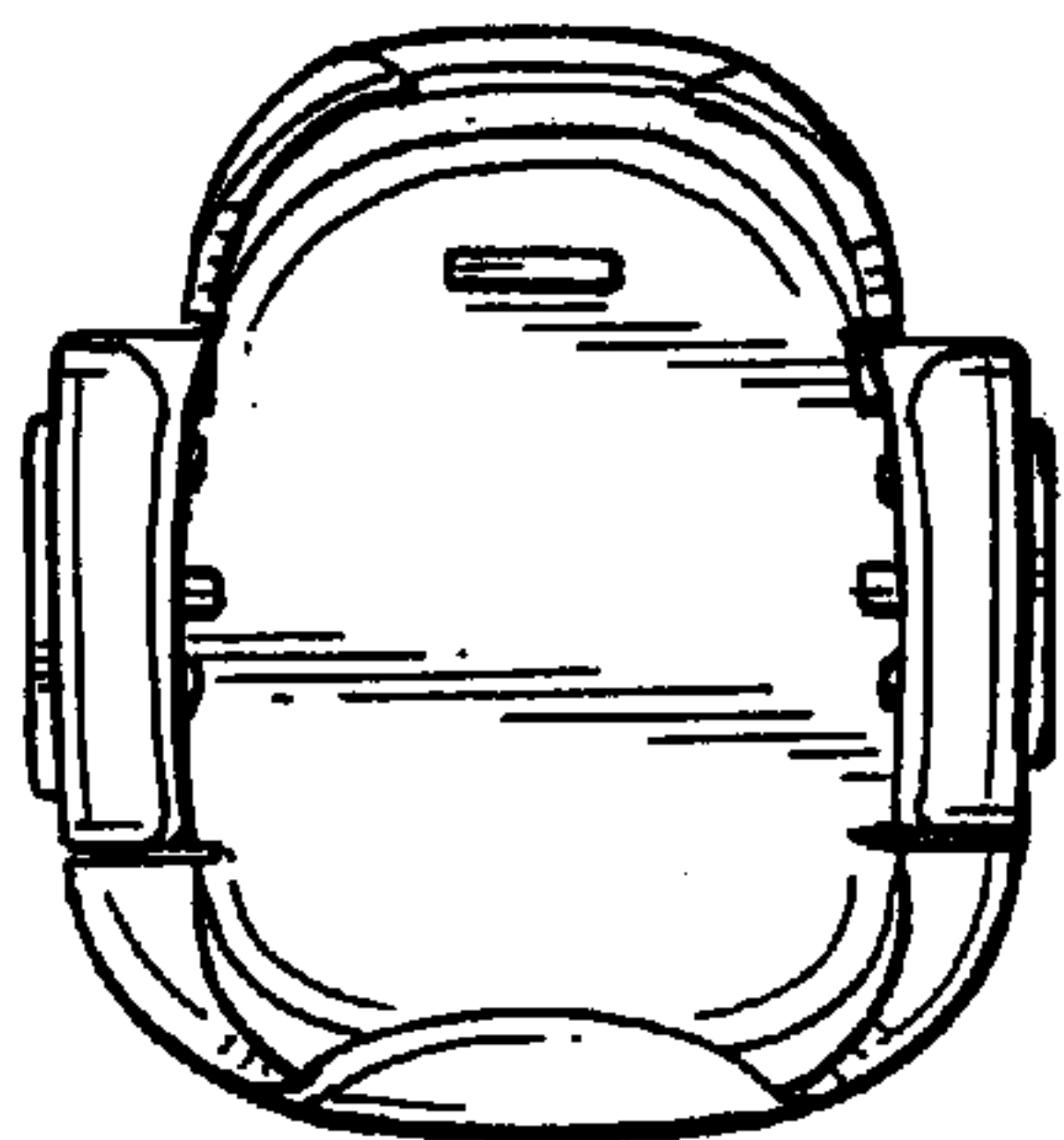


FIG. 9

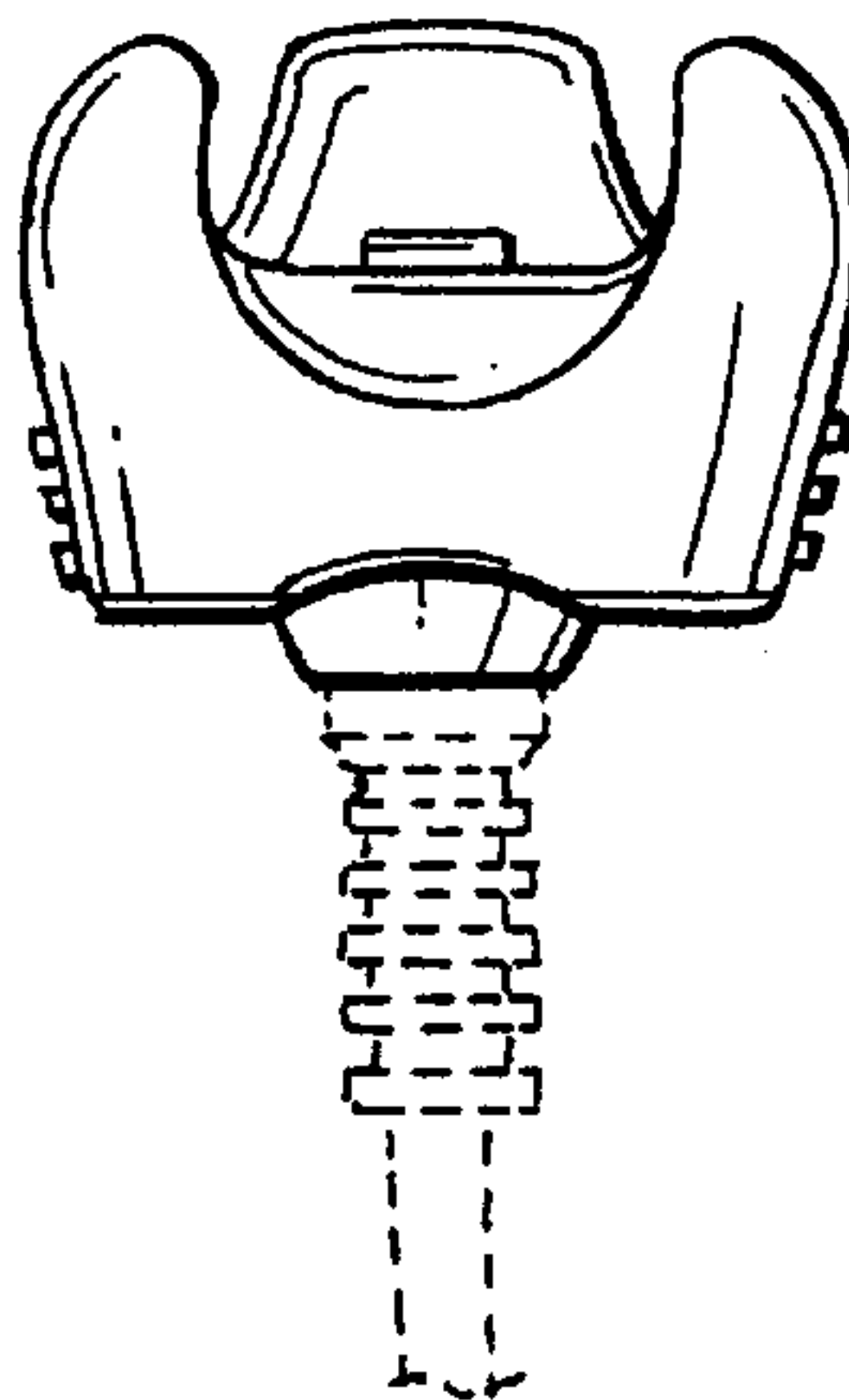


FIG. 10

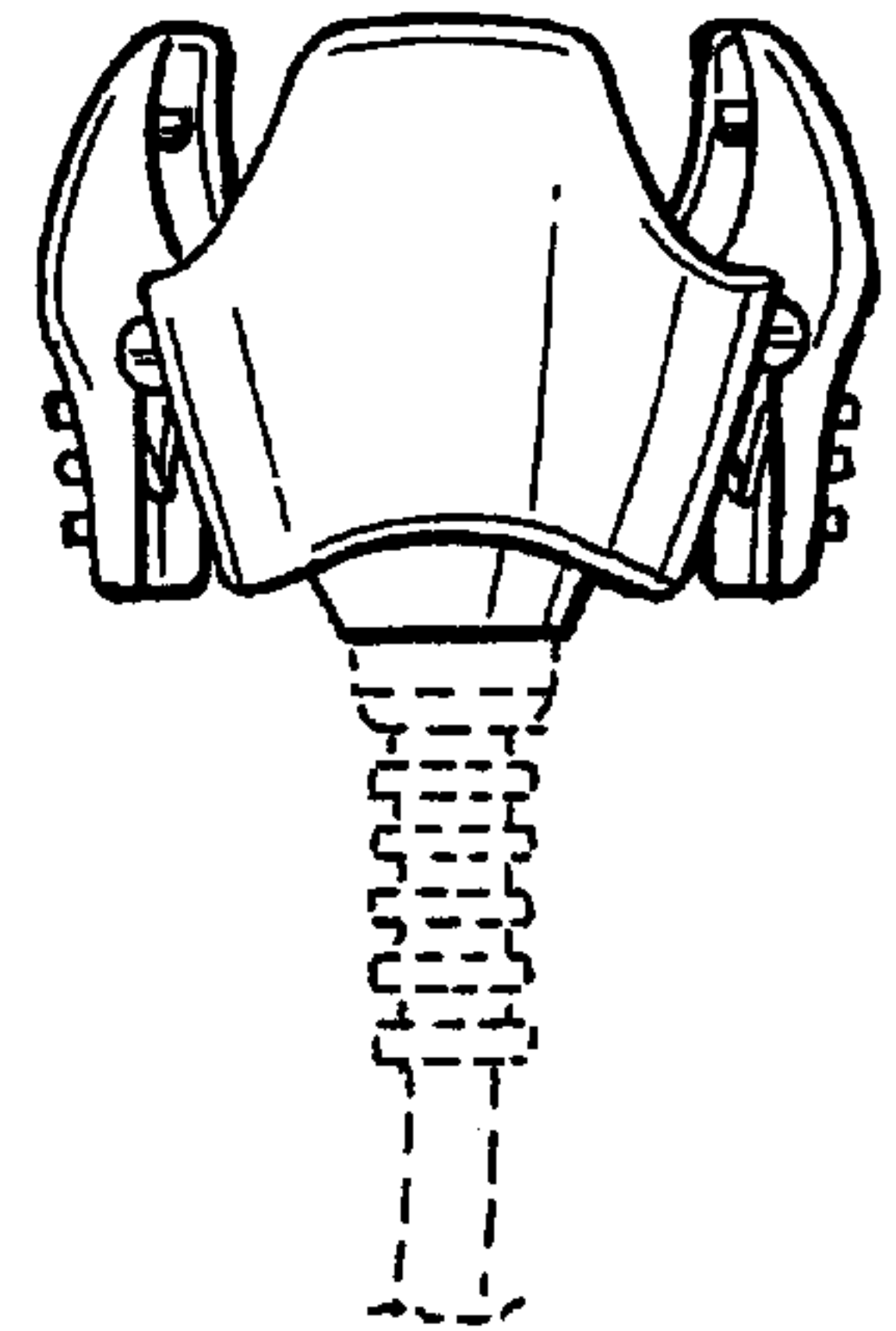


FIG. 11

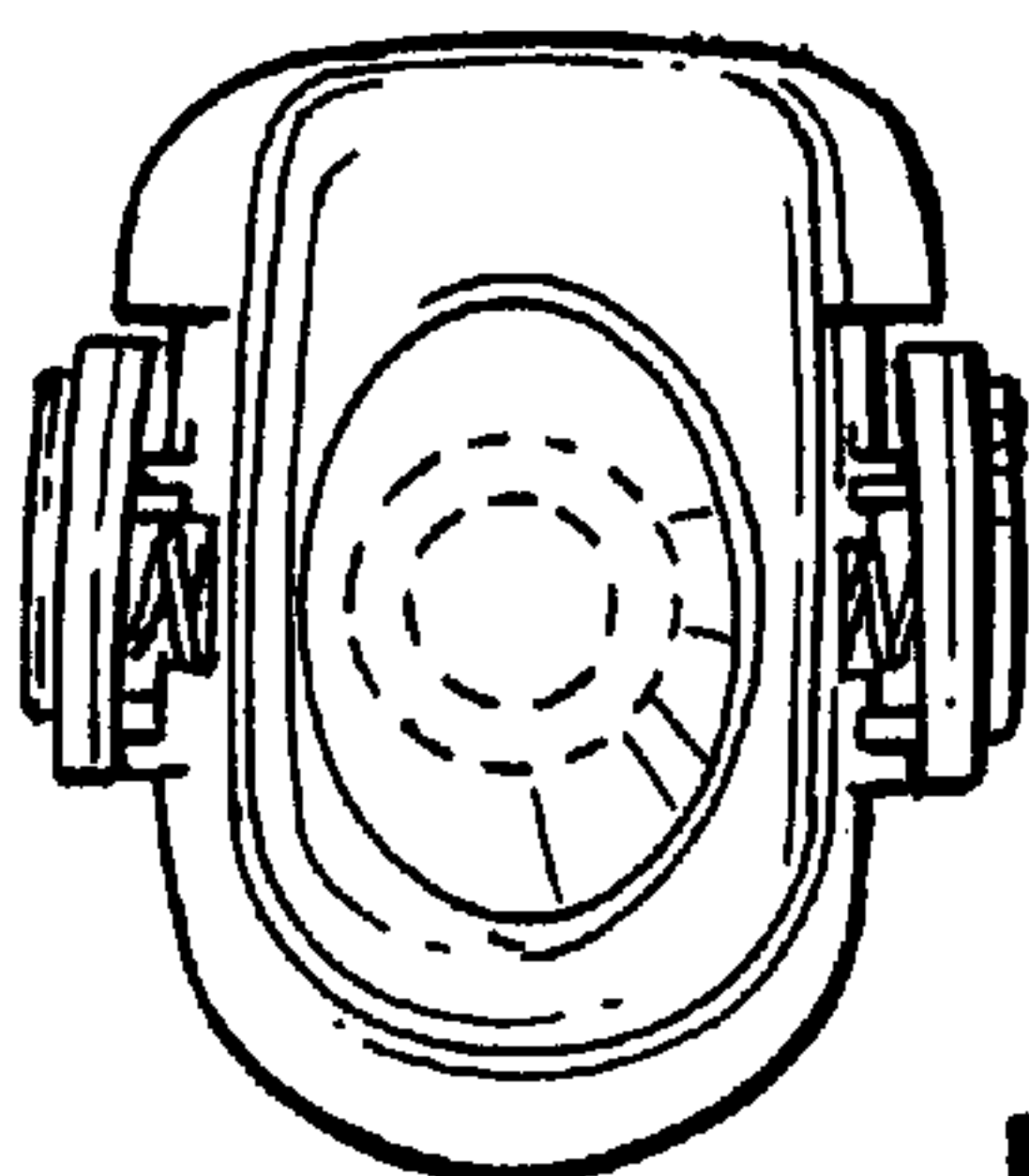


FIG. 12