



US00D445757S

(12) **United States Design Patent**
Adams et al.

(10) **Patent No.:** **US D445,757 S**

(45) **Date of Patent:** **** Jul. 31, 2001**

(54) **HITCH MOUNTABLE CARGO CARRIER**

(75) Inventors: **Katherine A. Adams**, Mishawaka;
Jason R. Moldthan, Osceola; **Richard W. McCoy**, Granger, all of IN (US)

(73) Assignee: **Reese Products, Inc.**, Elkhart, IN (US)

(**) Term: **14 Years**

(21) Appl. No.: **29/131,887**

(22) Filed: **Oct. 30, 2000**

Related U.S. Application Data

(63) Continuation-in-part of application No. 29/113,161, filed on Oct. 29, 1999, now Pat. No. Des. 436,575, which is a continuation-in-part of application No. 29/110,732, filed on Sep. 10, 1999, now Pat. No. Des. 437,285.

(51) **LOC (7) Cl.** **12-16**

(52) **U.S. Cl.** **D12/406**

(58) **Field of Search** D12/162, 172, D12/400, 406, 408-414.1; D3/23, 38; 224/504, 505, 518-519, 521-526, 528-536, 42.43-42.44, 42.07-42.08; 296/37.1, 37.2; 108/129-132, 152, 44; 182/90-92, 206; 280/163, 166, 30, 639, 769, 491.2, 415.1, 47.34

(56) **References Cited**

U.S. PATENT DOCUMENTS

- D. 305,632 * 1/1990 Kraklio D12/400
- D. 356,200 * 3/1995 Kern et al. D34/38 X
- D. 370,452 * 6/1996 Beasley D12/203
- D. 398,434 * 9/1998 Agtuca D34/38 X
- D. 435,495 * 12/2000 McCoy et al. D12/406

- D. 436,575 * 1/2001 McCoy et al. D12/406
- D. 437,285 * 2/2001 McCoy et al. D12/406
- 3,913,811 * 10/1975 Spencer 224/42.08
- 4,057,125 * 11/1977 Kroft 280/166 X
- 4,089,276 * 5/1978 Enos 108/44
- 4,234,284 * 11/1980 Hauff 224/42.44 X
- 4,274,648 * 6/1981 Robins 280/166
- 4,394,947 * 7/1983 Tartaglia 224/42.43
- 4,744,590 * 5/1988 Chesney 280/769
- 4,813,584 * 3/1989 Wiley 224/42.44
- 4,906,015 * 3/1990 Lacroix et al. 280/415.1
- 5,215,234 * 6/1993 Pasley 224/42.43
- 5,368,209 * 11/1994 Hill 224/42.44
- 5,570,826 * 11/1996 Garbes et al. 224/524
- 5,676,292 * 10/1997 Miller 224/524
- 5,853,278 * 12/1998 Frantz 224/504 X

* cited by examiner

Primary Examiner—Stacia Cadmus

(74) *Attorney, Agent, or Firm*—Leon E. Redman; Lloyd D. Doigan

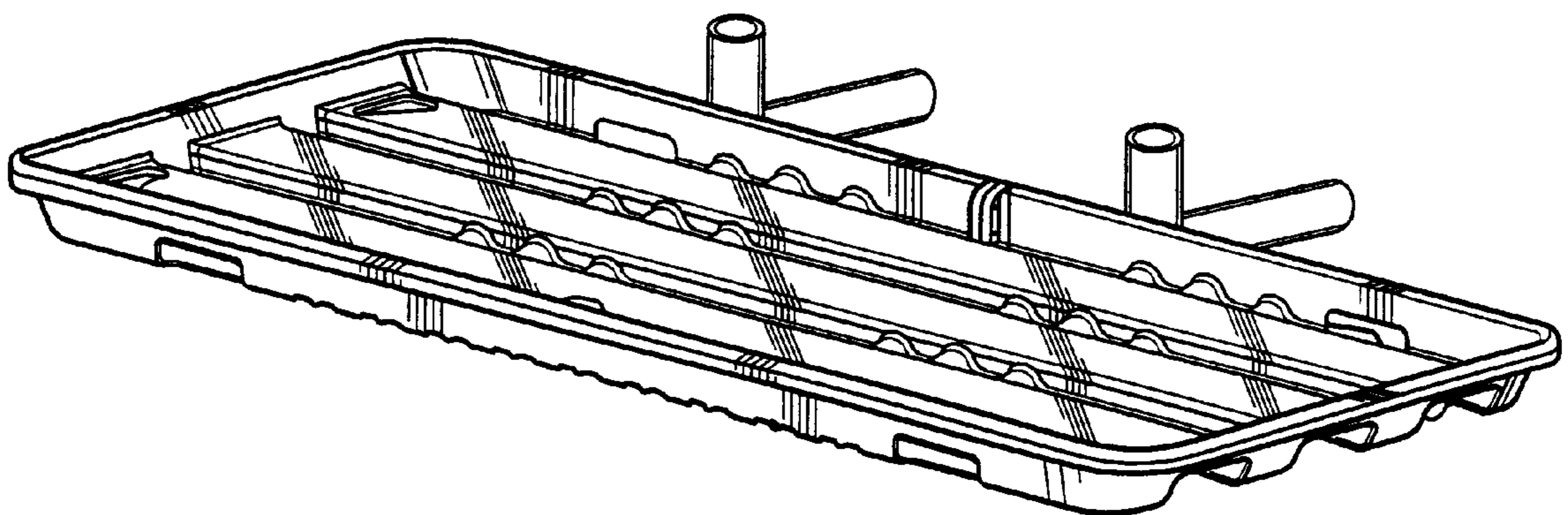
(57) **CLAIM**

The ornamental design for a hitch mountable cargo carrier, as shown and described.

DESCRIPTION

FIG. 1 is a perspective view of the hitch mountable cargo carrier showing our new design; FIG. 2 is a top plan view thereof; FIG. 3 is a rear elevational view thereof; FIG. 4 is a bottom plan view thereof; FIG. 5 is a left side elevational view thereof, the right side being a mirror image of the left shown; and, FIG. 6 is a front elevational view thereof.

1 Claim, 2 Drawing Sheets



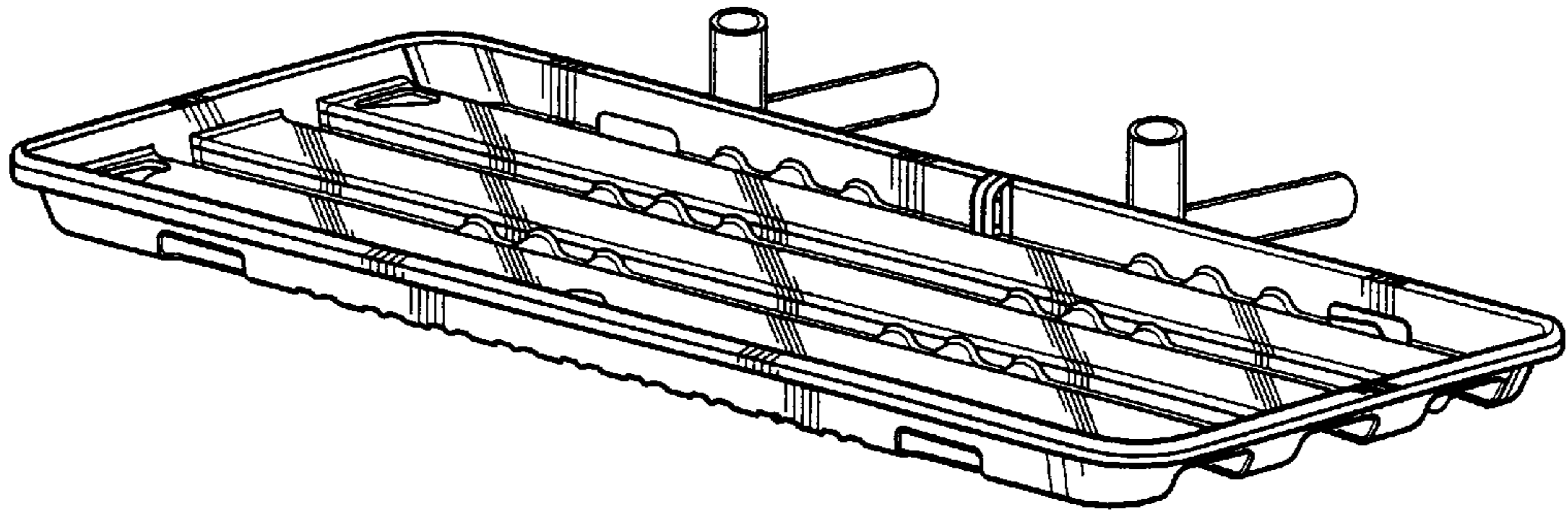


Fig-1

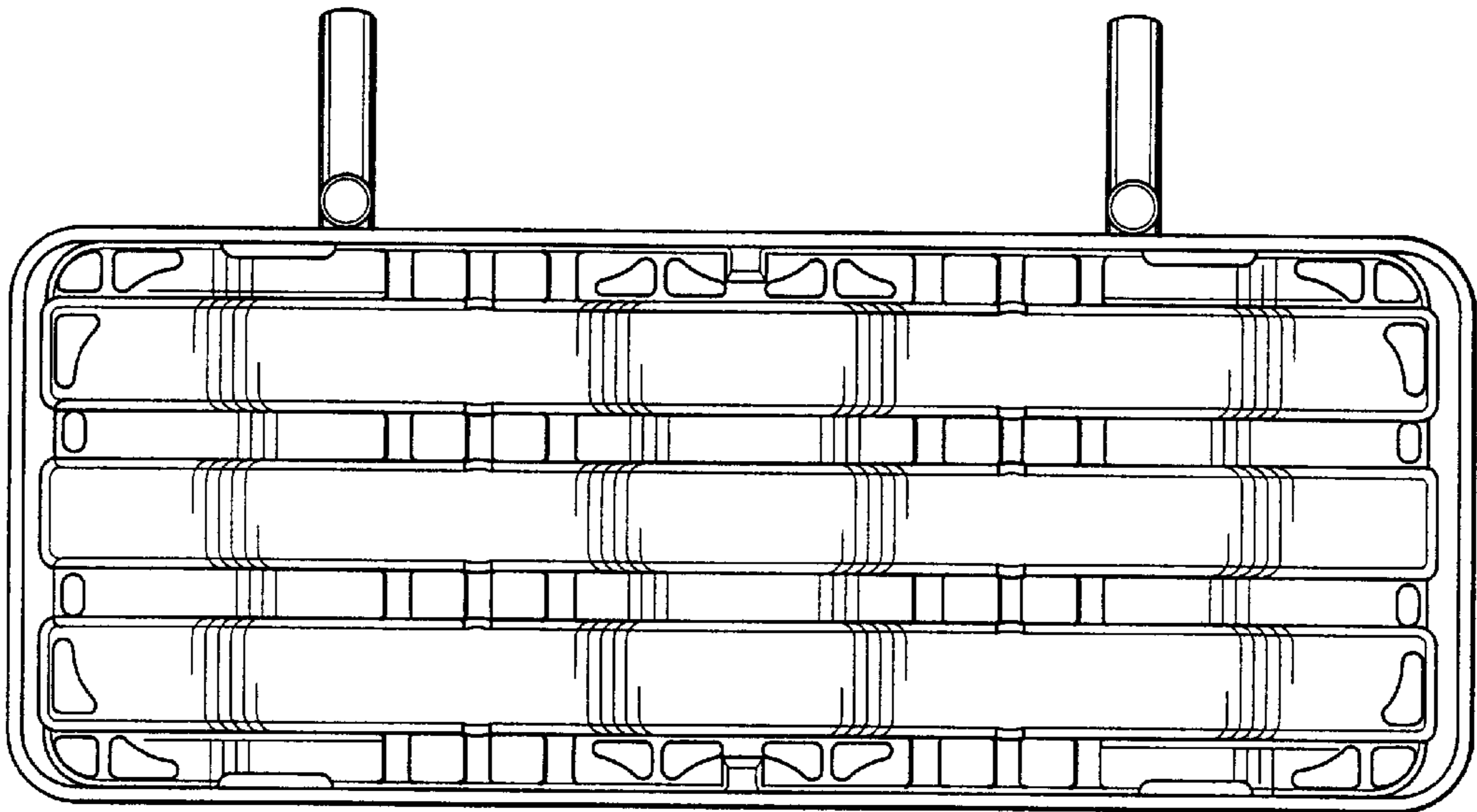


Fig-2

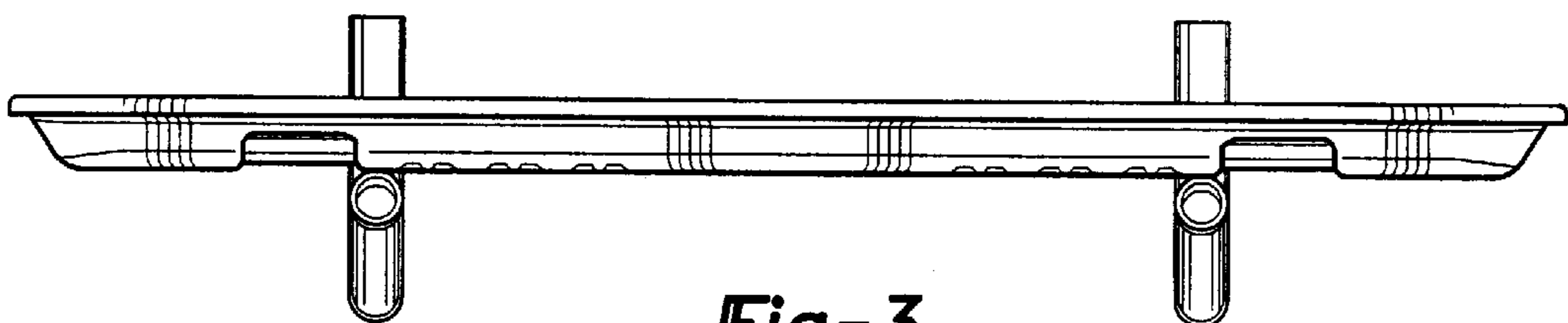


Fig-3

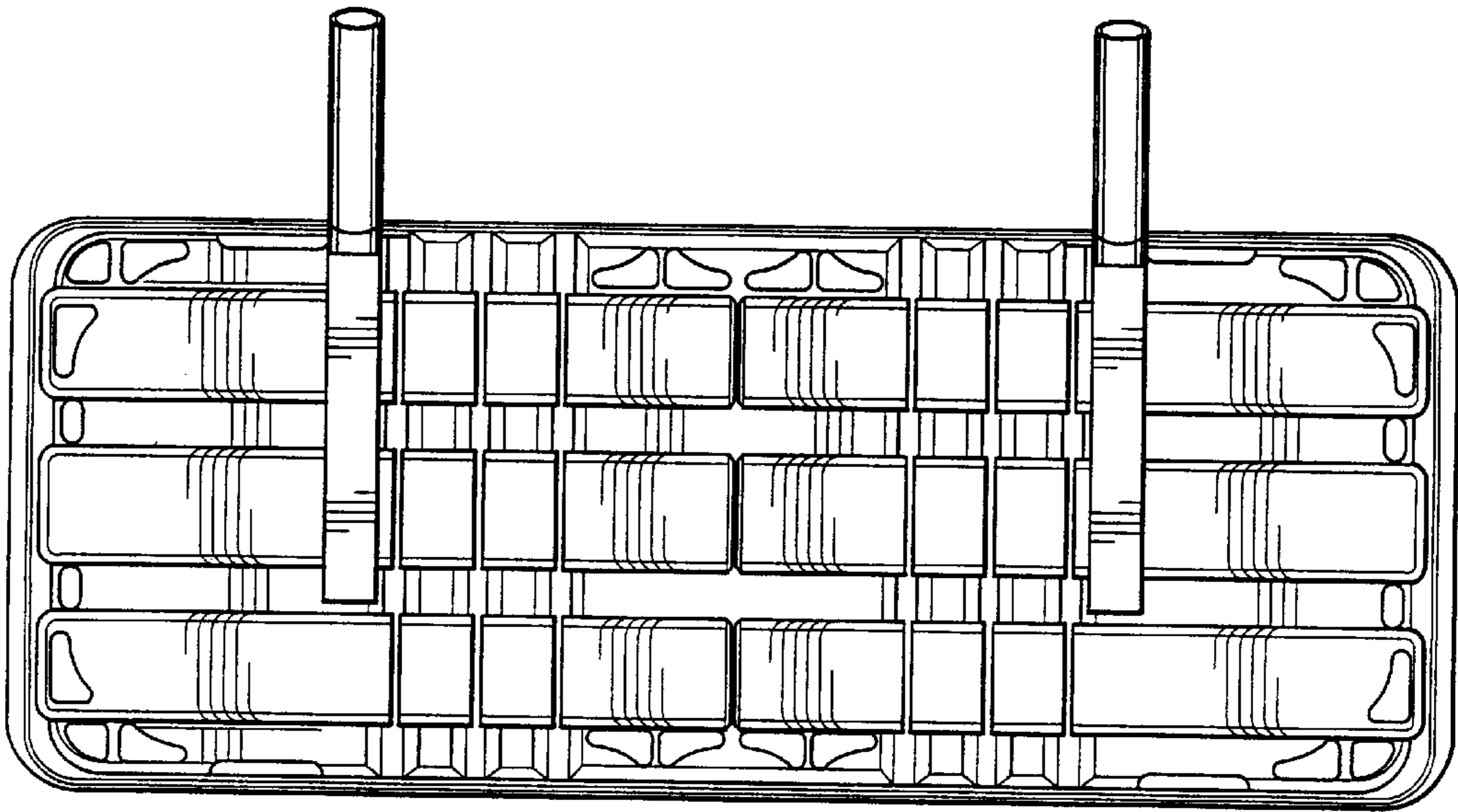


Fig-4

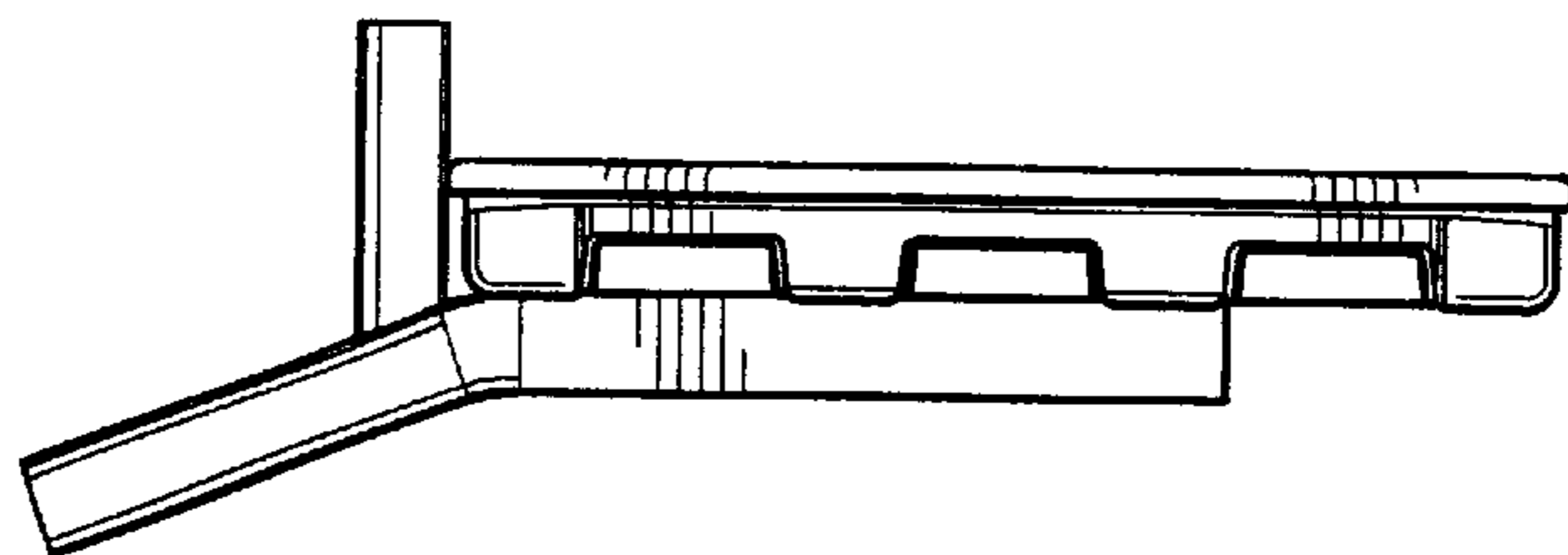


Fig-5

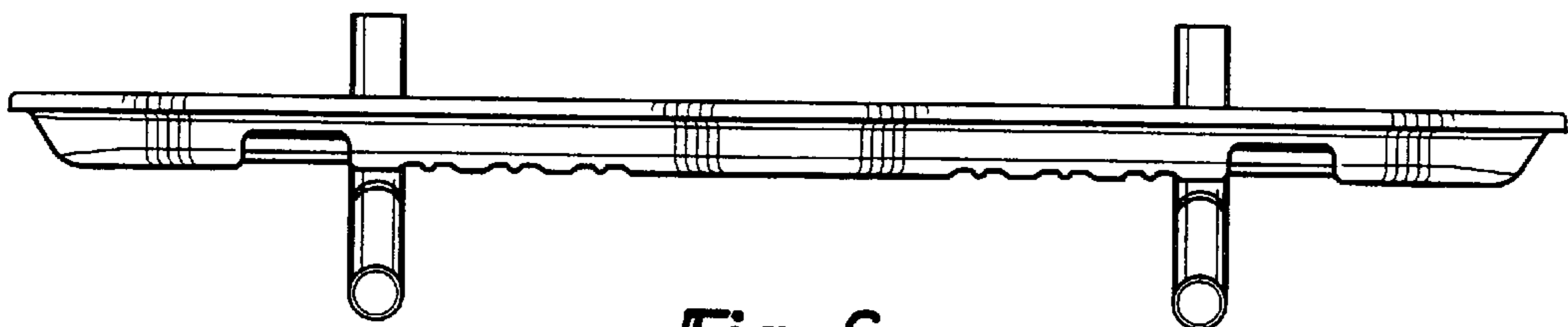


Fig-6