



US00D445752S

(12) **United States Design Patent**  
**Lee**

(10) **Patent No.:** **US D445,752 S**

(45) **Date of Patent:** **\*\* Jul. 31, 2001**

(54) **WHEEL**

(75) Inventor: **Sierra Lee, Yangmei Chen (TW)**

(73) Assignee: **GB Automotive Products, Inc.,  
Hawthorne, CA (US)**

(\*\*) Term: **14 Years**

(21) Appl. No.: **29/137,270**

(22) Filed: **Feb. 12, 2001**

(51) **LOC (7) Cl.** ..... **12-16**

(52) **U.S. Cl.** ..... **D12/211**

(58) **Field of Search** ..... **D12/204-211;  
301/37.1, 64.1, 65**

D. 403,644	*	1/1999	Elbertse et al.	.....	D12/209
D. 409,553	*	5/1999	Neeper	.....	D12/211
D. 428,378	*	7/2000	Lee	.....	D12/209
D. 432,481	*	10/2000	Brown	.....	D12/209
D. 436,570	*	1/2001	Lee	.....	D12/209

\* cited by examiner

*Primary Examiner*—Stacia Cadmus

(74) *Attorney, Agent, or Firm*—Stetina Brunda Garred & Brucker

(57) **CLAIM**

The ornamental design for a wheel, as shown and described.

**DESCRIPTION**

FIG. 1 is a front perspective view of the wheel showing my new design;

FIG. 2 is a top elevational view thereof;

FIG. 3 is a front elevational view of the wheel showing my new design;

FIG. 4 is a bottom elevational view thereof;

FIG. 5 is a side elevational view thereof; and,

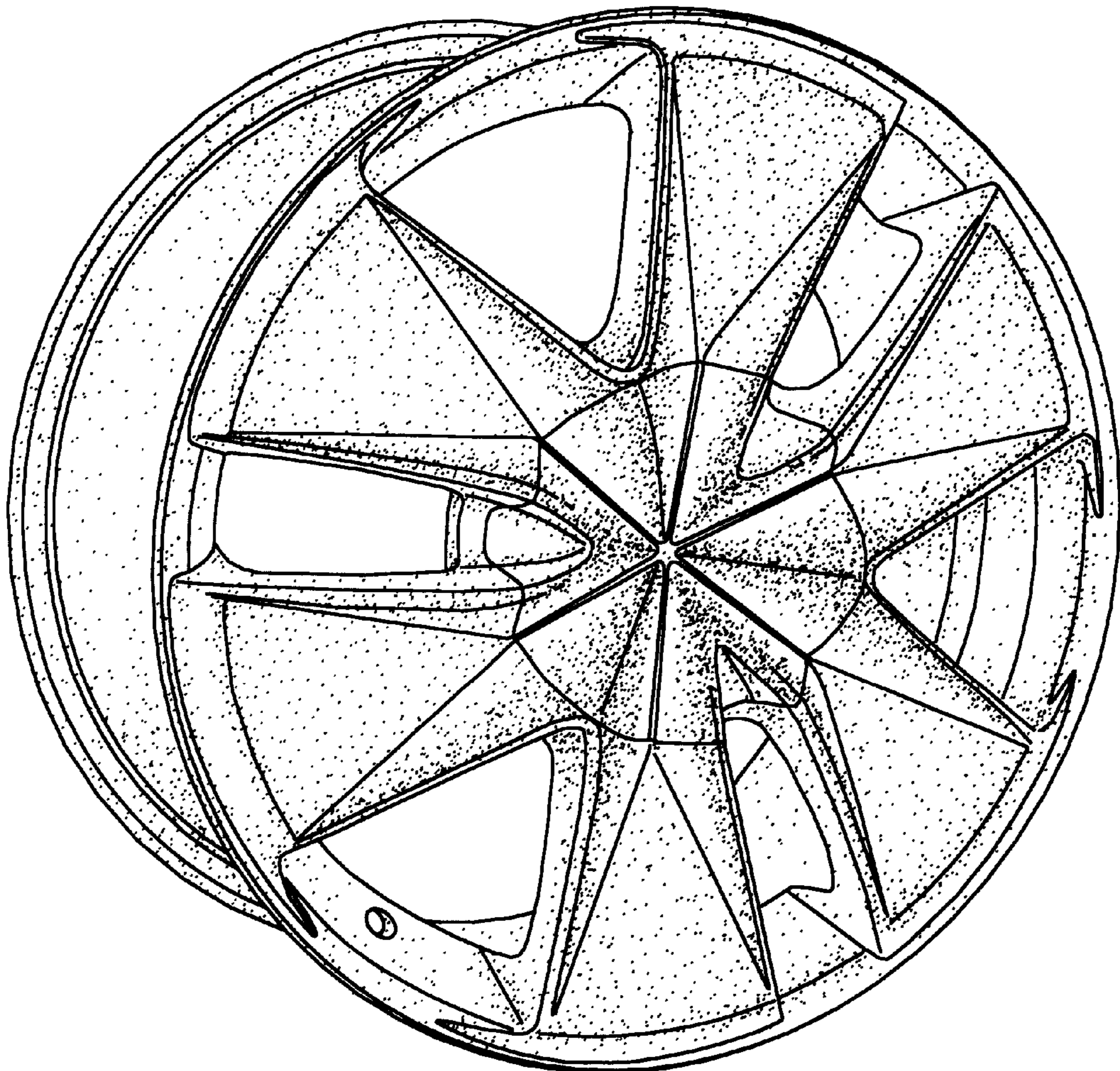
FIG. 6 is a rear elevational view thereof.

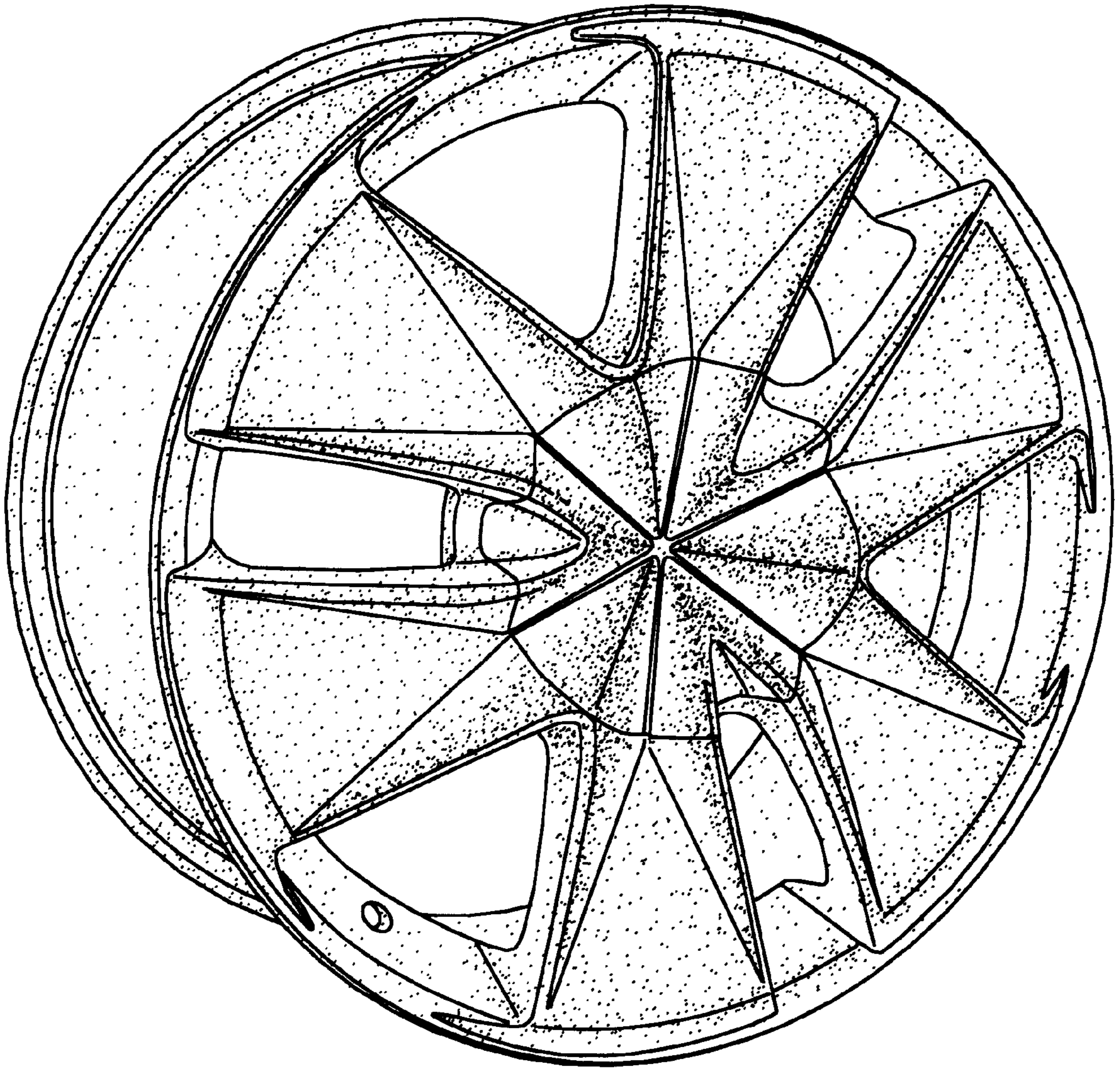
(56) **References Cited**

**U.S. PATENT DOCUMENTS**

D. 347,203	*	5/1994	Buyze et al.	.....	D12/211
D. 367,460	*	2/1996	Chung	.....	D12/209
D. 367,461	*	2/1996	Chung	.....	D12/209
D. 381,618	*	7/1997	Suprihanto	.....	D12/209
D. 386,461	*	11/1997	Neeper	.....	D12/209

**1 Claim, 3 Drawing Sheets**

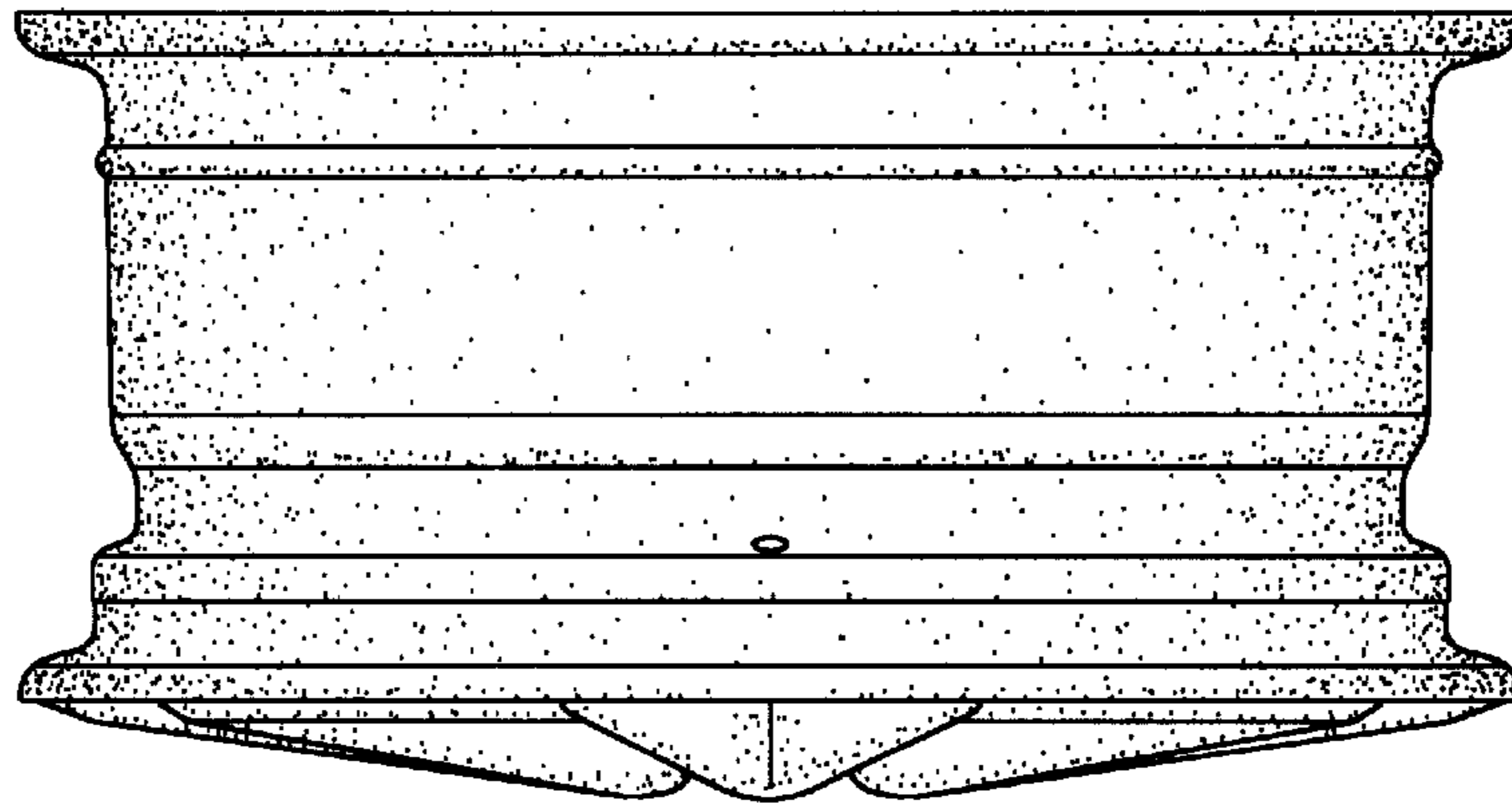




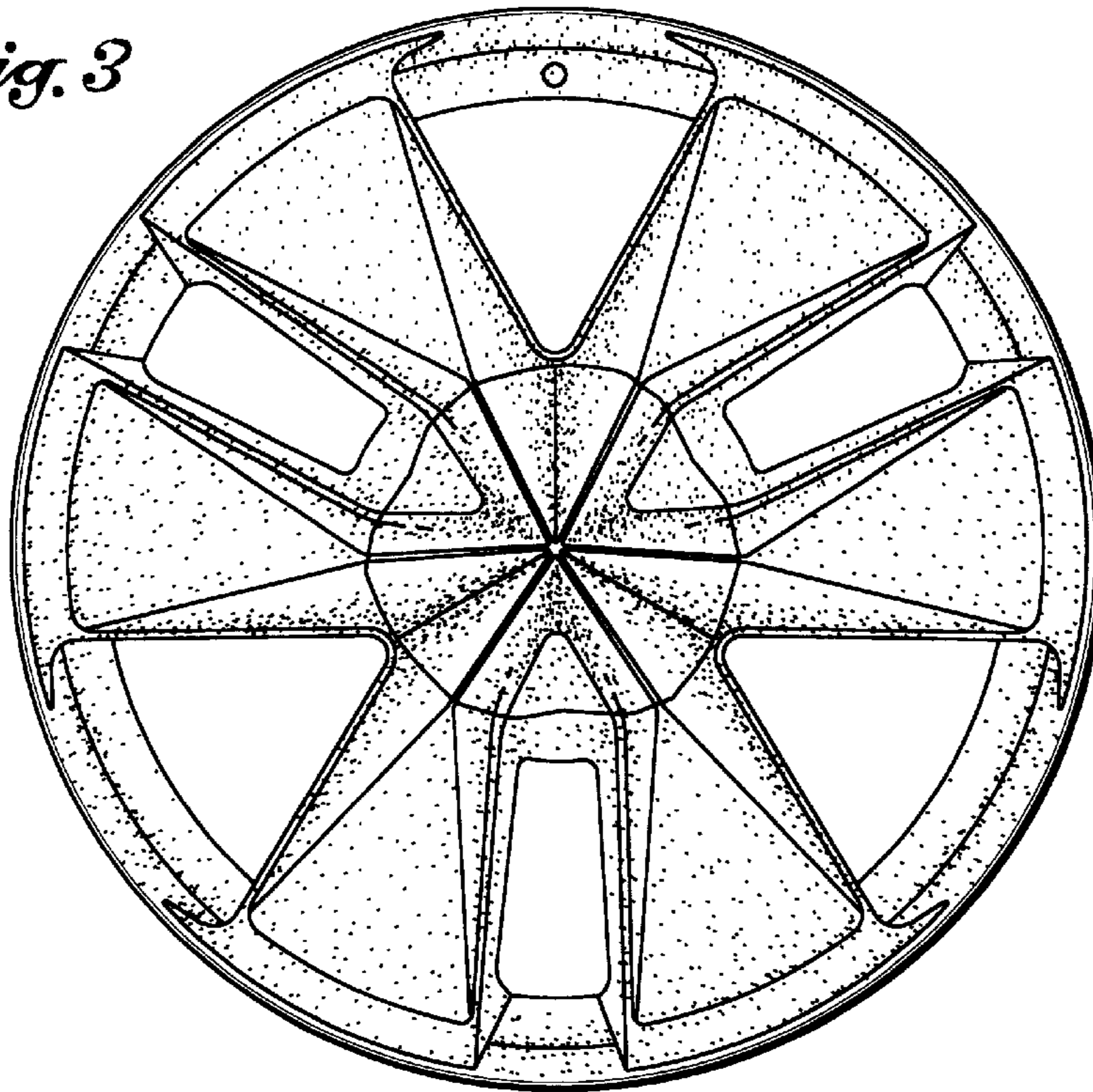
*Fig. 1*



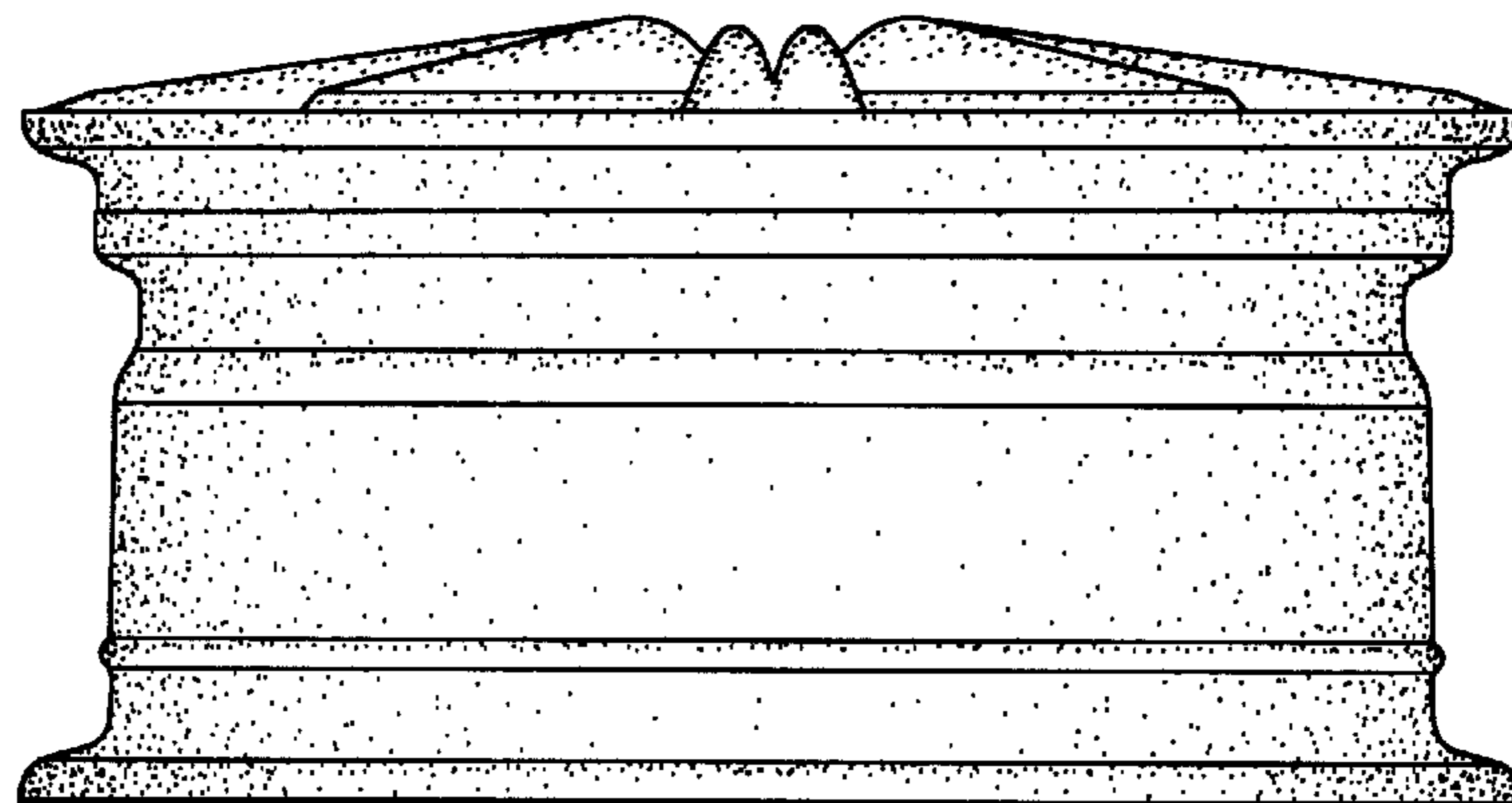
*Fig. 2*



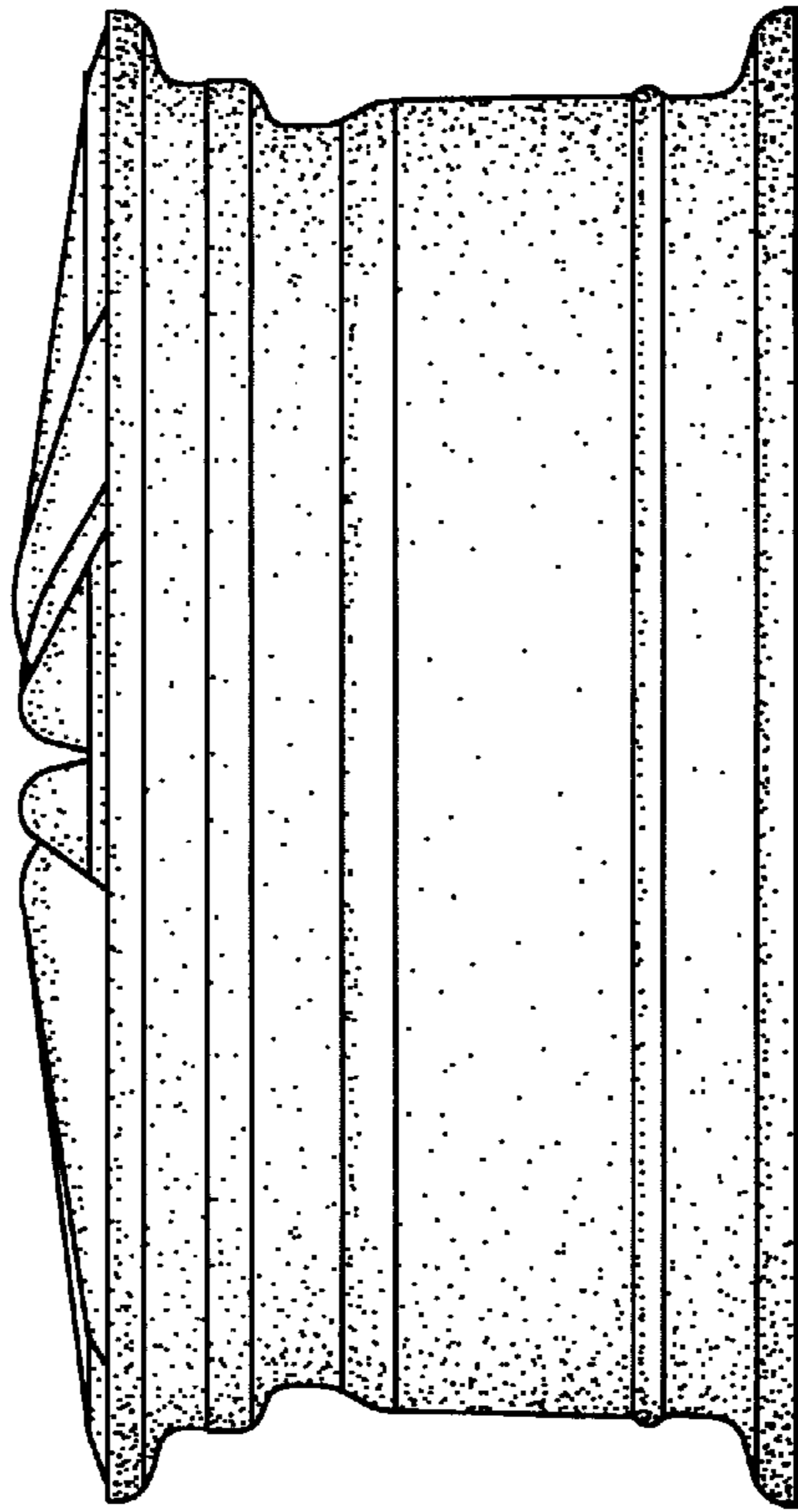
*Fig. 3*



*Fig. 4*



*Fig. 5*



*Fig. 6*

