



US00D445751S

(12) **United States Design Patent**
Pfeiffer et al.

(10) **Patent No.:** **US D445,751 S**

(45) **Date of Patent:** **** Jul. 31, 2001**

(54) **FRONT FACE OF A VEHICLE WHEEL**

(75) Inventors: **Peter Pfeiffer**, Boeblingen; **Gerhard Honer**; **Frank Pfisterer**, both of Weil der Stadt, all of (DE)

(73) Assignee: **DaimlerChrysler AG**, Stuttgart (DE)

(**) Term: **14 Years**

(21) Appl. No.: **29/128,167**

(22) Filed: **Aug. 21, 2000**

(30) **Foreign Application Priority Data**

Feb. 19, 2000 (DE) 4 00 01 640

(51) **LOC (7) Cl.** **12-16**

(52) **U.S. Cl.** **D12/209**

(58) **Field of Search** D12/204-211;
301/37.1, 64.1, 65

(56) **References Cited**

U.S. PATENT DOCUMENTS

- D. 250,703 * 1/1979 Taitani et al. D12/209
- D. 325,018 * 3/1992 Nordmann D12/209
- D. 325,189 * 4/1992 Kapitza D12/209

- D. 334,730 * 4/1993 Chung D12/209
- D. 361,052 * 8/1995 Clements D12/209
- D. 380,433 * 7/1997 Chung D12/209
- D. 388,044 * 12/1997 Maier D12/204
- D. 388,760 * 1/1998 Sacco et al. D12/209
- D. 408,003 * 4/1999 Sacco et al. D12/209
- D. 408,776 * 4/1999 Sacco et al. D12/209
- D. 425,847 * 5/2000 Iguchi D12/209

* cited by examiner

Primary Examiner—Stacia Cadmus

(74) *Attorney, Agent, or Firm*—Crowell & Moring, L.L.P.

(57) **CLAIM**

The ornamental design for a front face of a vehicle wheel, as shown and described.

DESCRIPTION

FIG. 1 is a front view of a front face of a vehicle wheel according to our novel design; and,

FIG. 2 is a perspective view of the front face of a vehicle wheel according to our novel design.

The dash lines included depict environment and are not part of the claimed design.

1 Claim, 1 Drawing Sheet



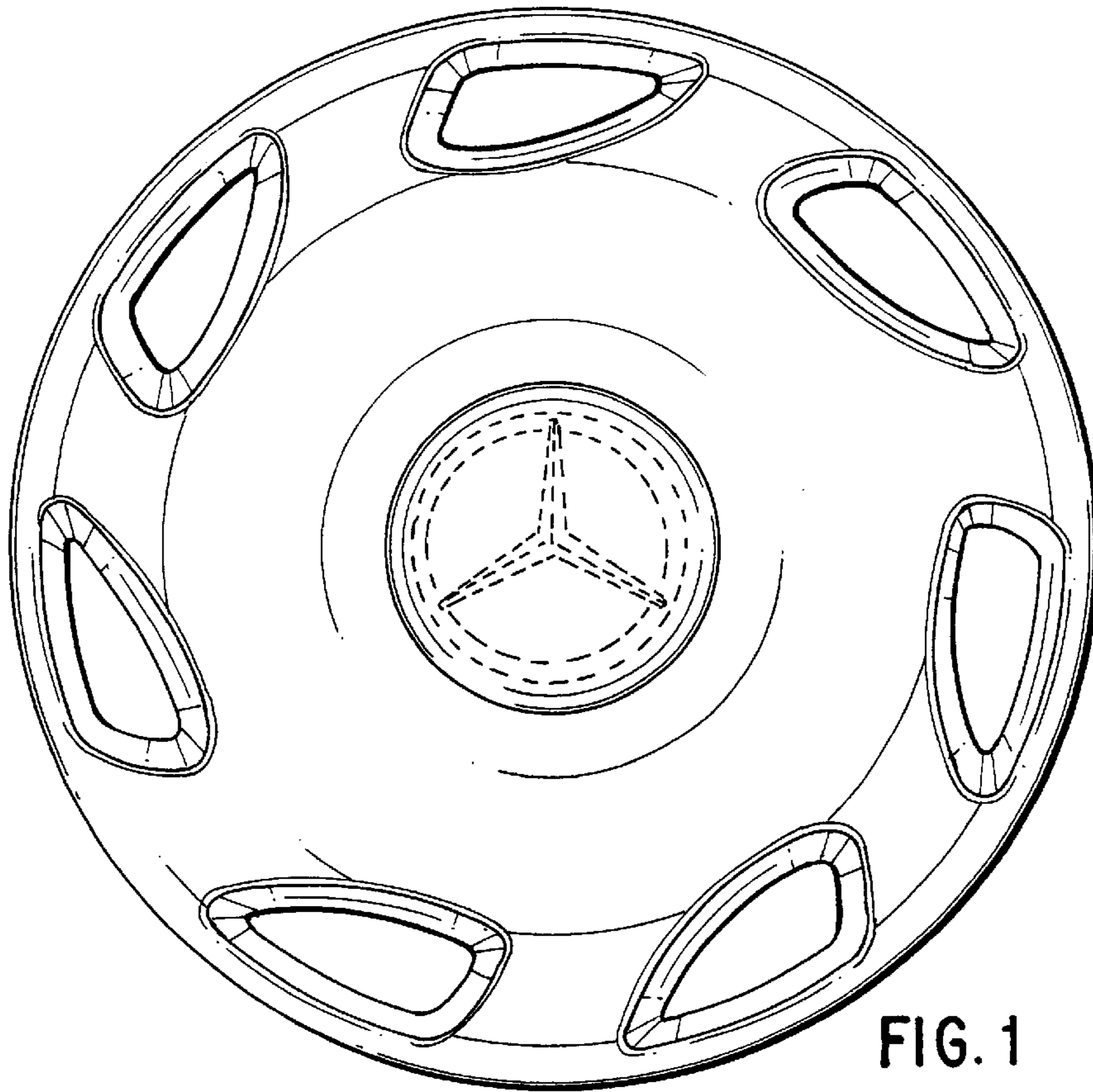


FIG. 1

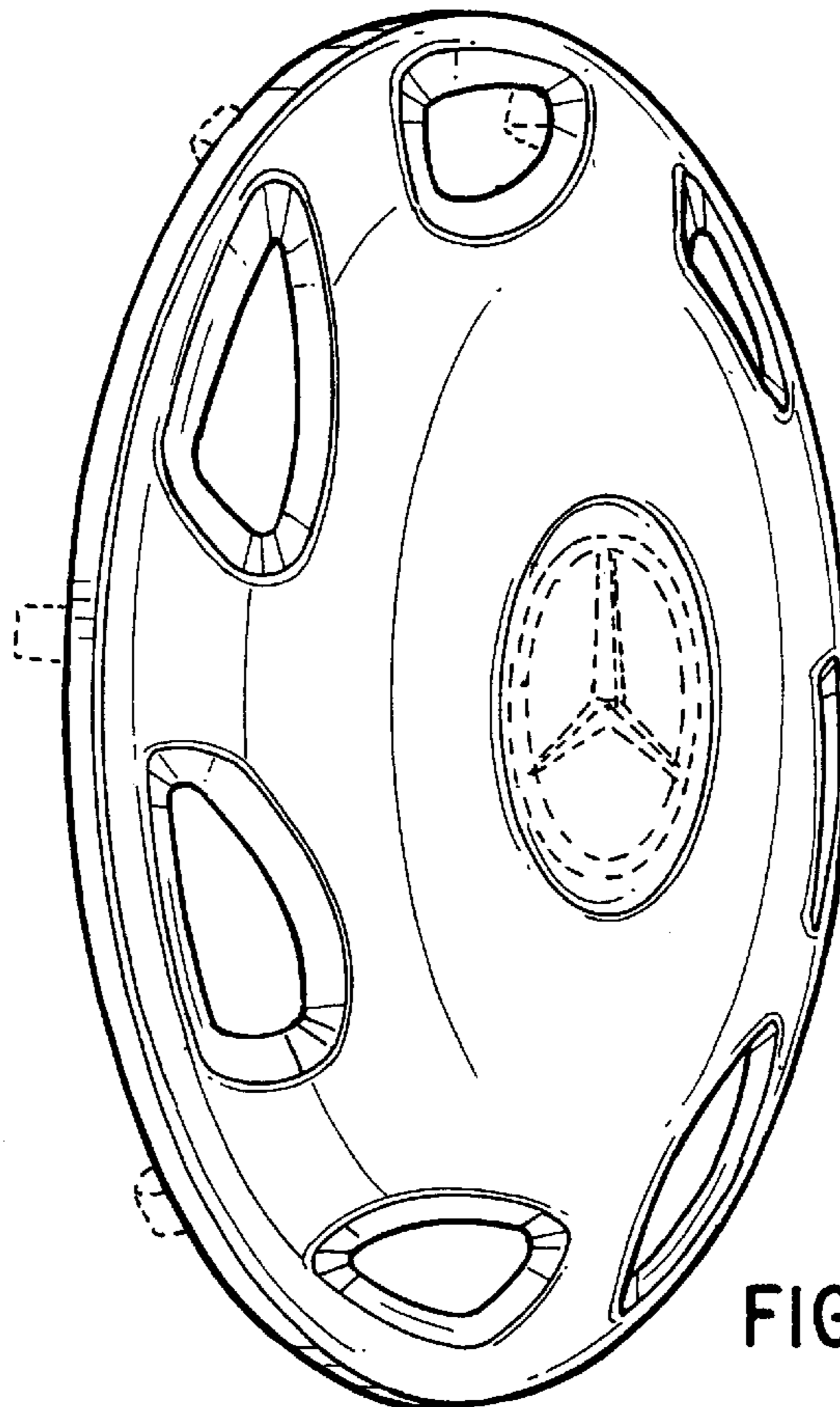


FIG. 2