



US00D445744S

(12) **United States Design Patent**  
**Hsing**

(10) **Patent No.:** **US D445,744 S**

(45) **Date of Patent:** **\*\* Jul. 31, 2001**

(54) **SUNSHIELD FOR AUTOMOBILES**

(76) **Inventor:** **Kao-Sheng Hsing**, PO Box 82-144,  
Taipei (TW)

(\*\*) **Term:** **14 Years**

(21) **Appl. No.:** **29/135,801**

(22) **Filed:** **Jan. 22, 2001**

(51) **LOC (7) Cl.** ..... **12-16**

(52) **U.S. Cl.** ..... **D12/191**

(58) **Field of Search** ..... D12/191, 182;  
296/97.4-97.9, 97.1, 97.11; 160/370.21,  
DIG. 3, 107; D11/134; 248/481, 484

(56) **References Cited**

**U.S. PATENT DOCUMENTS**

- D. 339,098 \* 9/1993 Cooper ..... D12/191
- D. 365,075 \* 12/1995 Hernandez ..... D12/191
- D. 370,650 \* 6/1996 Eskandry ..... D12/191
- D. 375,928 \* 11/1996 Wang ..... D12/191

- D. 381,002 \* 7/1997 Nelson ..... D12/191
- D. 395,029 \* 6/1998 Hare ..... D12/191
- D. 431,510 \* 10/2000 Eskandry ..... D12/191

\* cited by examiner

*Primary Examiner*—Stacia Cadmus  
(74) *Attorney, Agent, or Firm*—A & J

(57) **CLAIM**

The ornamental design for a sunshield for automobiles, as shown and described.

**DESCRIPTION**

FIG. 1 is a perspective view of a sunshield for automobiles showing my new design.

FIG. 2 is a front side elevation view thereof;

FIG. 3 is a rear side elevation view thereof;

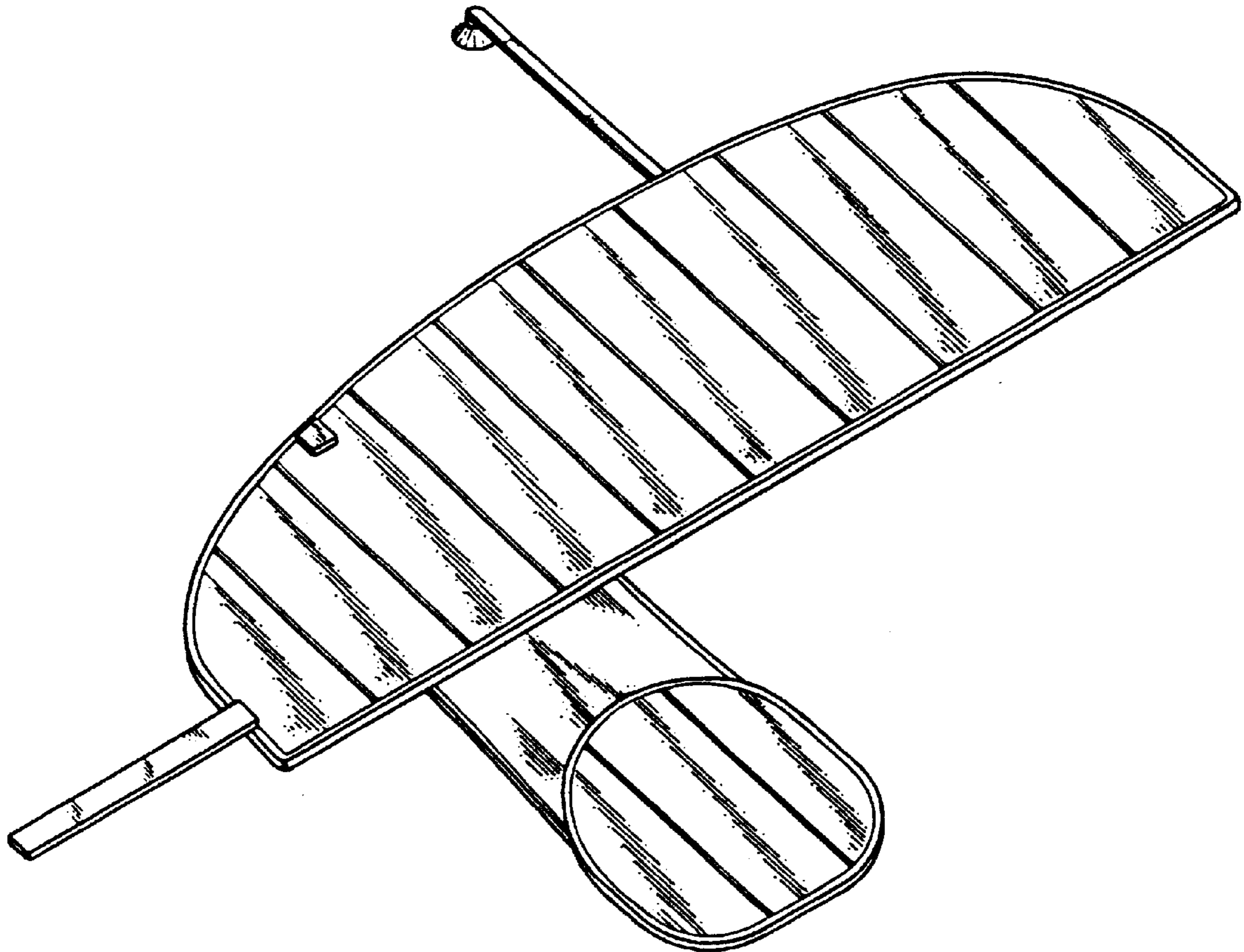
FIG. 4 is a left side elevation view thereof;

FIG. 5 is a right side elevation view thereof;

FIG. 6 is a top plan view thereof; and,

FIG. 7 is a bottom plan view thereof.

**1 Claim, 5 Drawing Sheets**



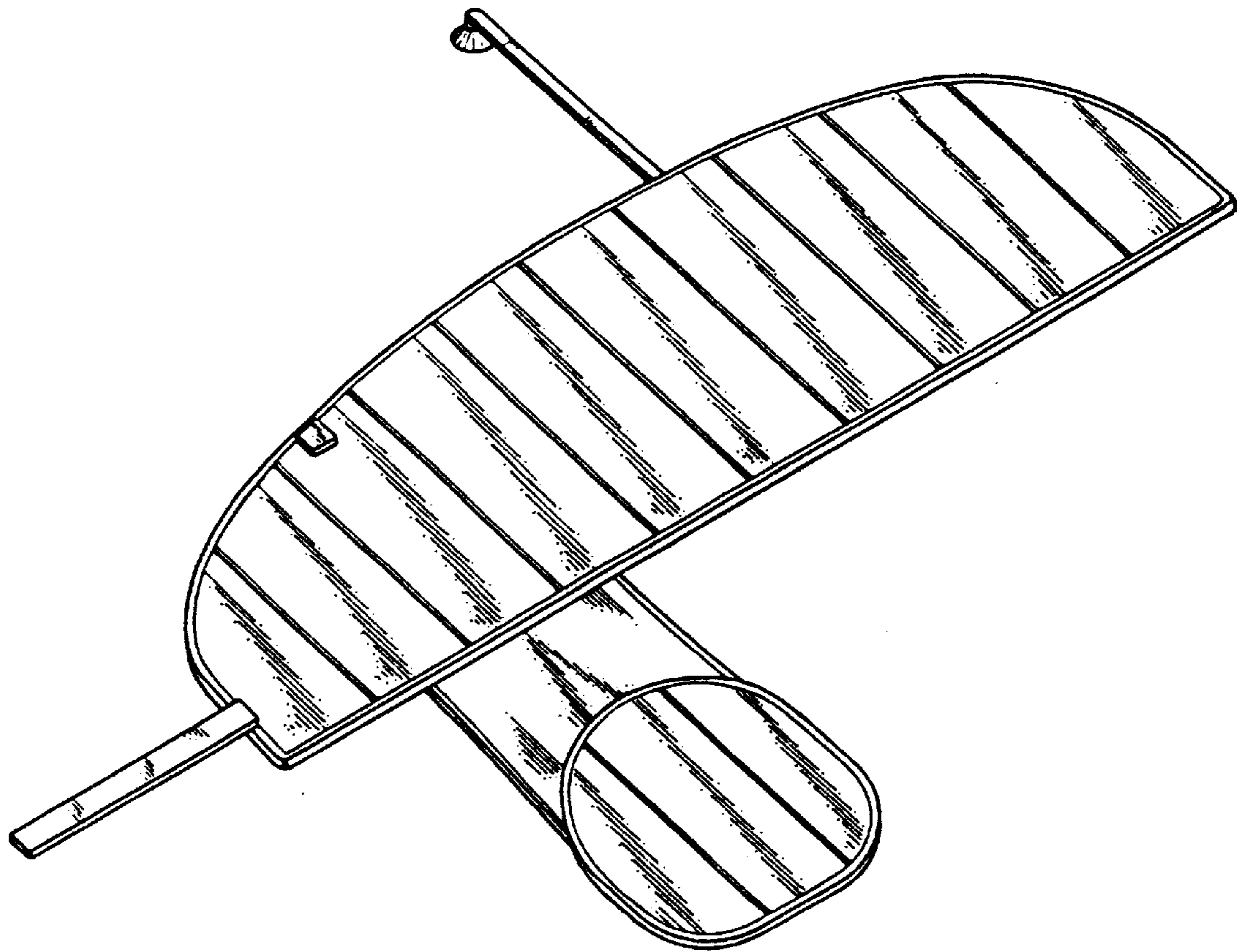
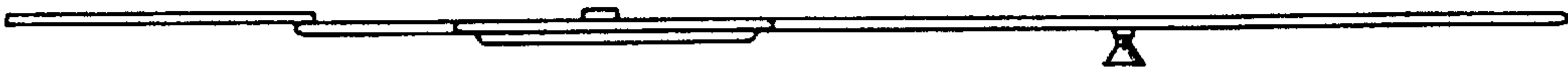
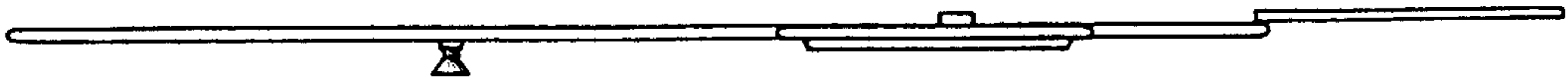


FIG. 1



**FIG. 2**



**FIG. 3**



**FIG. 5**



**FIG. 4**

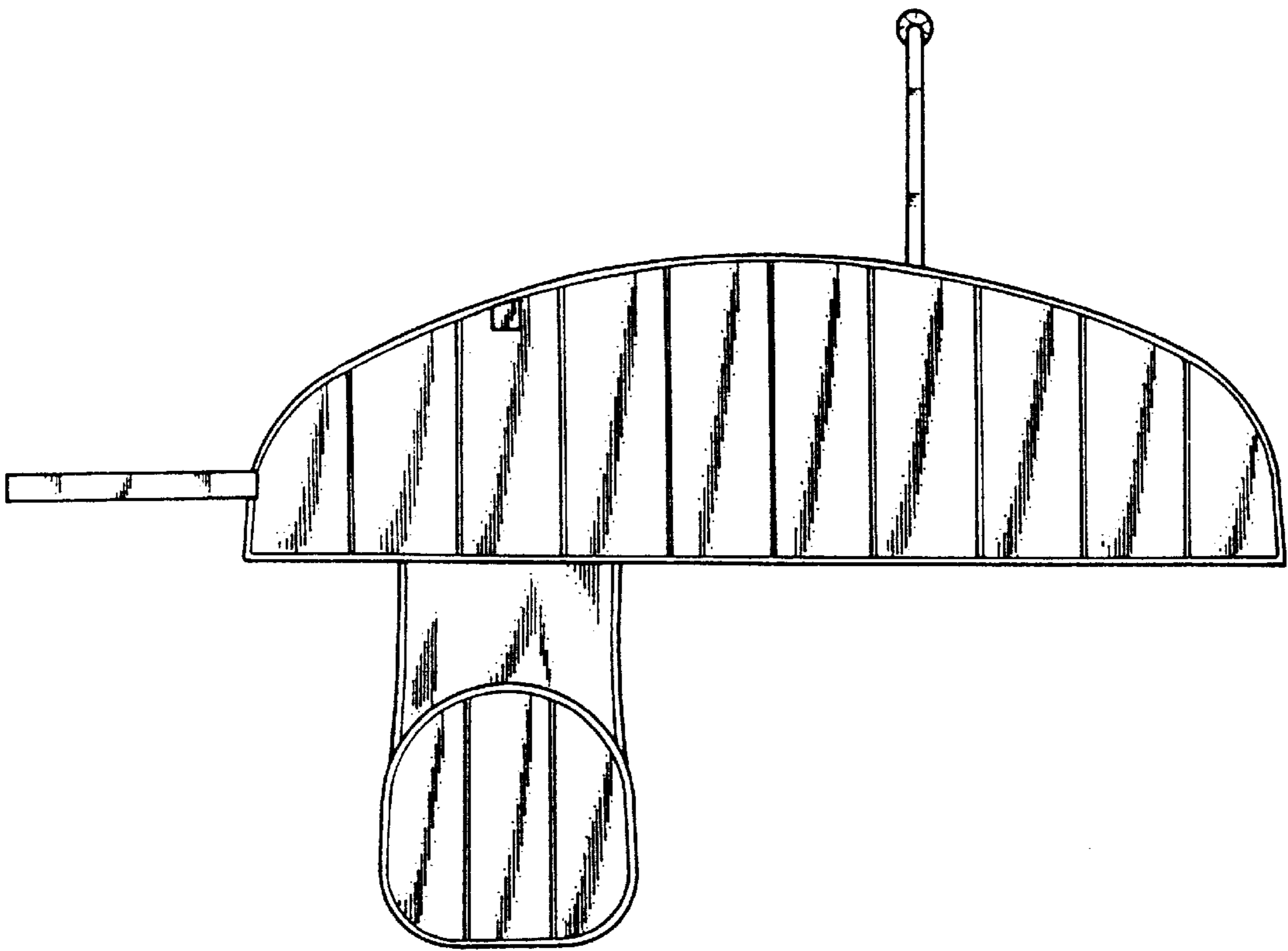


FIG. 6

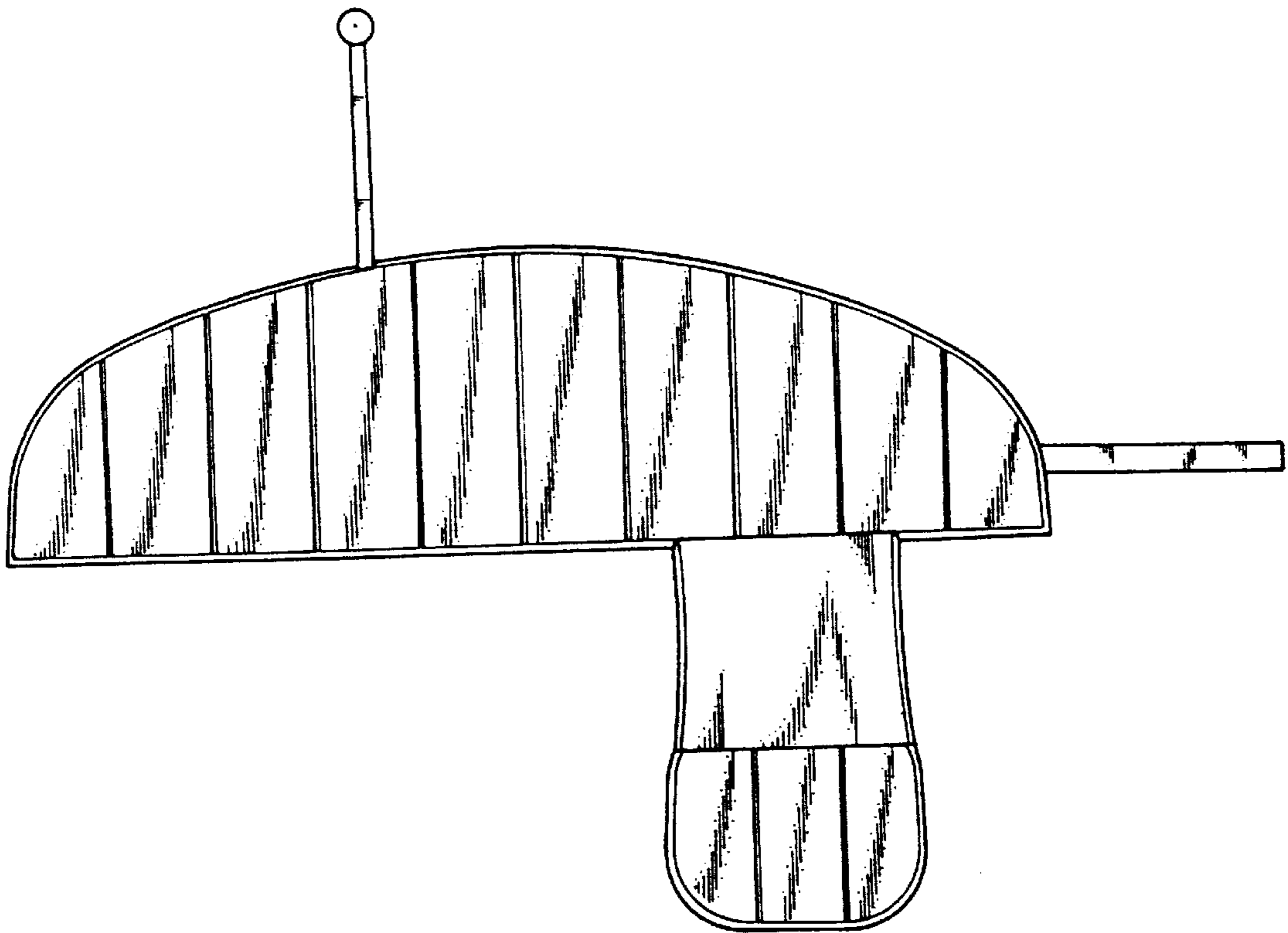


FIG. 7