



US00D445743S

(12) **United States Design Patent**
Hsu

(10) **Patent No.:** **US D445,743 S**

(45) **Date of Patent:** **** Jul. 31, 2001**

(54) **SIDE VIEW MIRROR FOR VEHICLE**

(76) **Inventor:** **Yu-Tai Hsu**, No. 11-3, Lane 183, 38th Rd., Taichung Industrial Park, Si-Tun Dist., Taichung City (TW)

(**) **Term:** **14 Years**

(21) **Appl. No.:** **29/125,924**

(22) **Filed:** **Jul. 5, 2000**

(51) **LOC (7) Cl.** **12-16**

(52) **U.S. Cl.** **D12/187**

(58) **Field of Search** D12/187-189;
359/838, 842, 844, 848, 850, 855, 857,
859, 864, 867, 871-876, 879, 880

(56) **References Cited**

U.S. PATENT DOCUMENTS

D. 148,523	*	2/1948	Daon	D12/187
D. 204,185	*	3/1966	Benjamin	D12/187
D. 234,760	*	4/1975	Tanaka	D12/187
D. 308,505	*	6/1990	Lin	D12/187
D. 406,088	*	2/1999	Hanlon et al.	D12/187

D. 425,001	*	5/2000	Bullock	D12/188
3,007,474	*	10/1961	Hund	359/864
3,566,474	*	3/1971	Zuhlke et al.	359/848
4,603,944	*	8/1986	Greenlaw et al.	359/818
5,076,701	*	12/1991	Greenlaw	359/879

* cited by examiner

Primary Examiner—Cathy Anne MacCormac

(74) *Attorney, Agent, or Firm*—Charles E. Baxley

(57) **CLAIM**

The ornamental design for a side view mirror for vehicle, as shown and described.

DESCRIPTION

FIG. 1 is a perspective view of a side view mirror for vehicle showing my new design;

FIG. 2 is a front elevational view thereof;

FIG. 3 is a rear elevational view thereof;

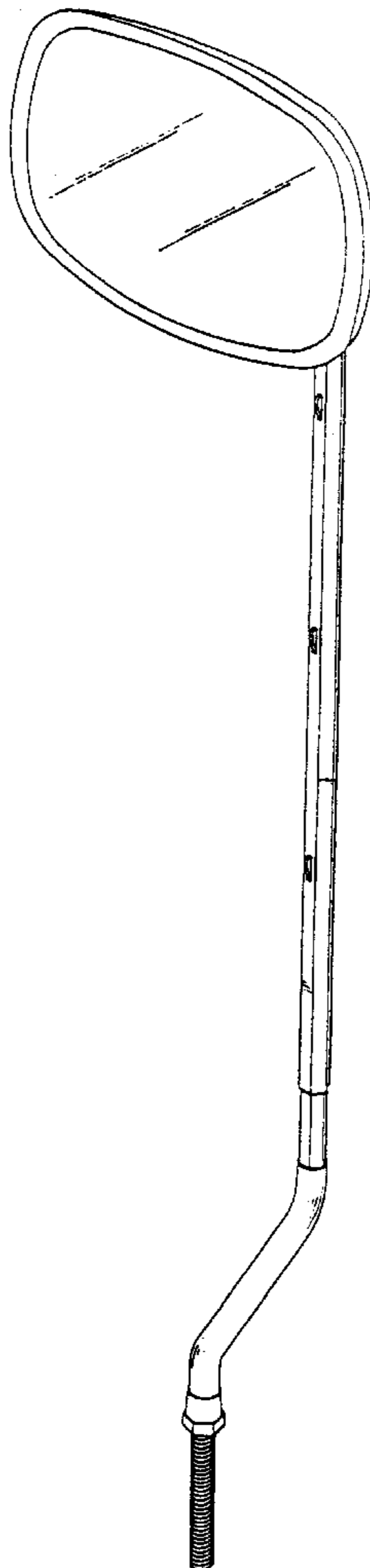
FIG. 4 is a left side elevational view thereof;

FIG. 5 is a right side elevational view thereof;

FIG. 6 is a top plan view thereof; and,

FIG. 7 is a bottom plan view thereof.

1 Claim, 7 Drawing Sheets



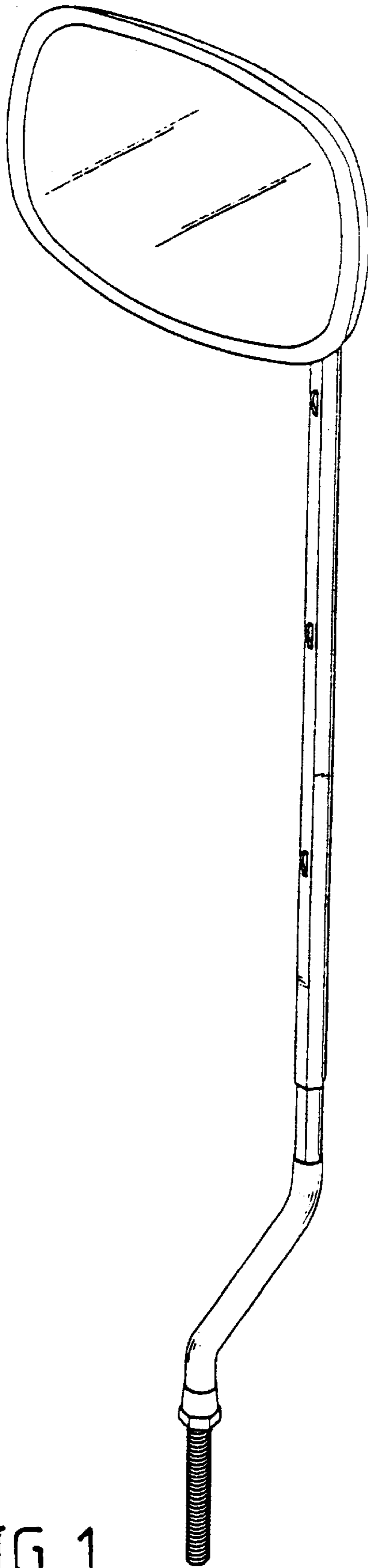


FIG. 1

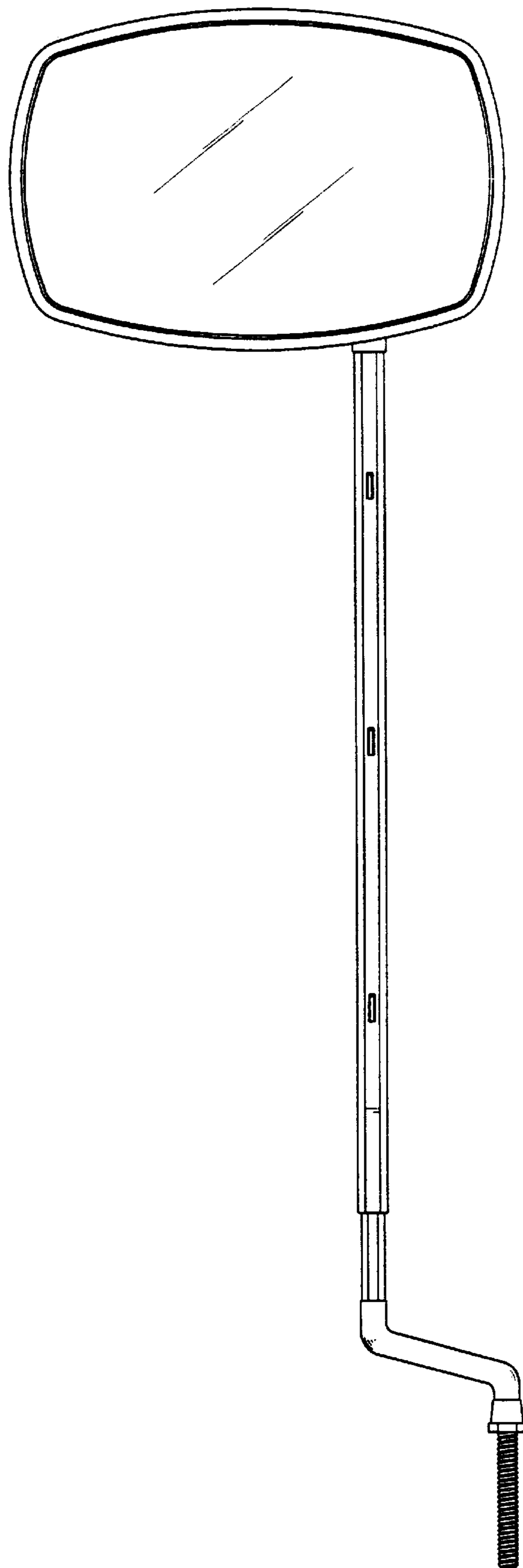


FIG. 2

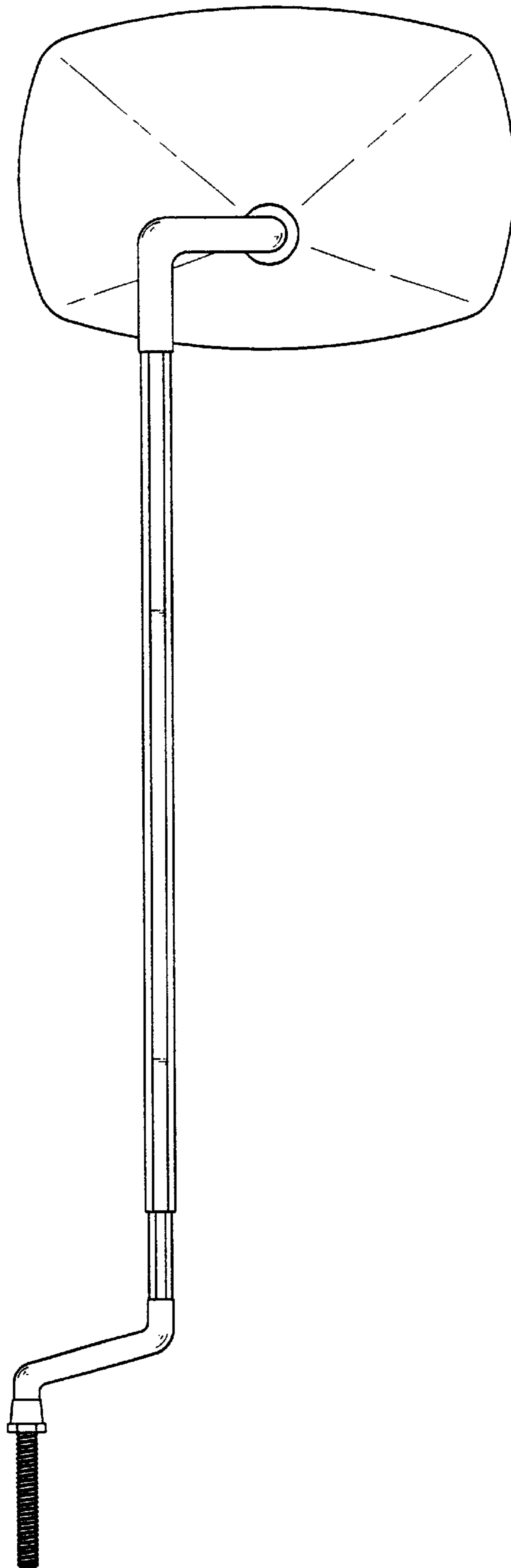


FIG. 3

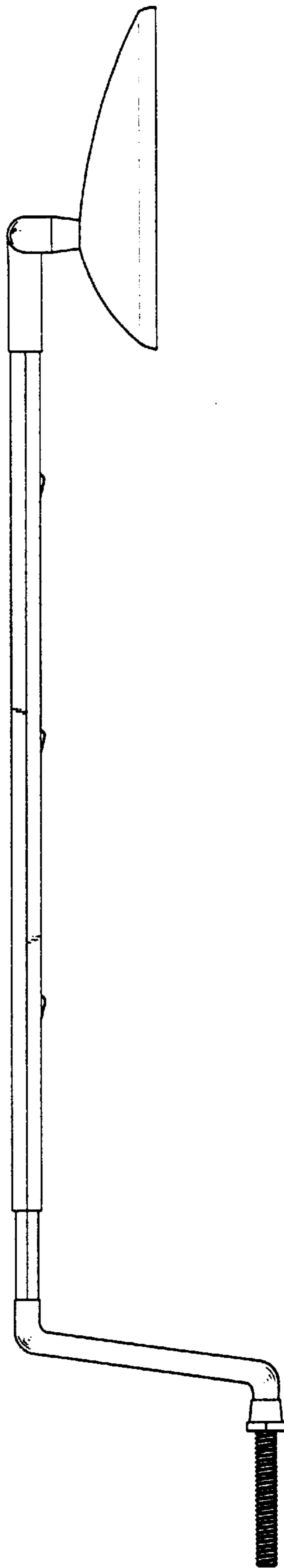


FIG. 4

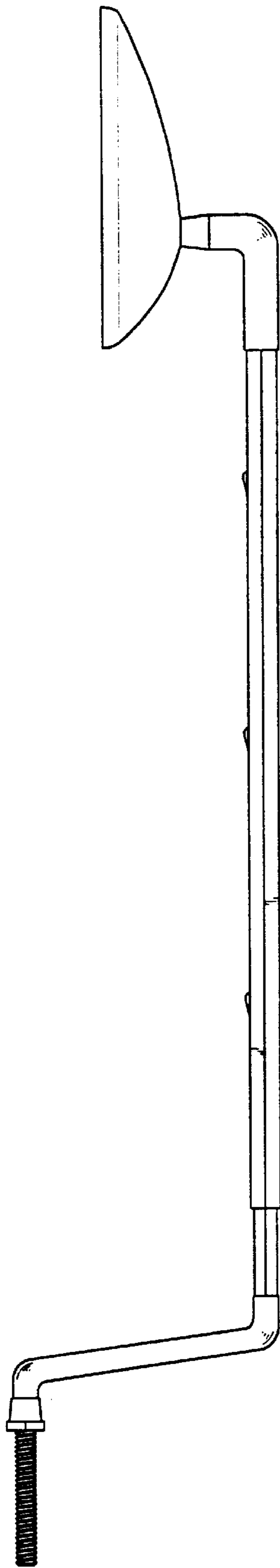


FIG. 5

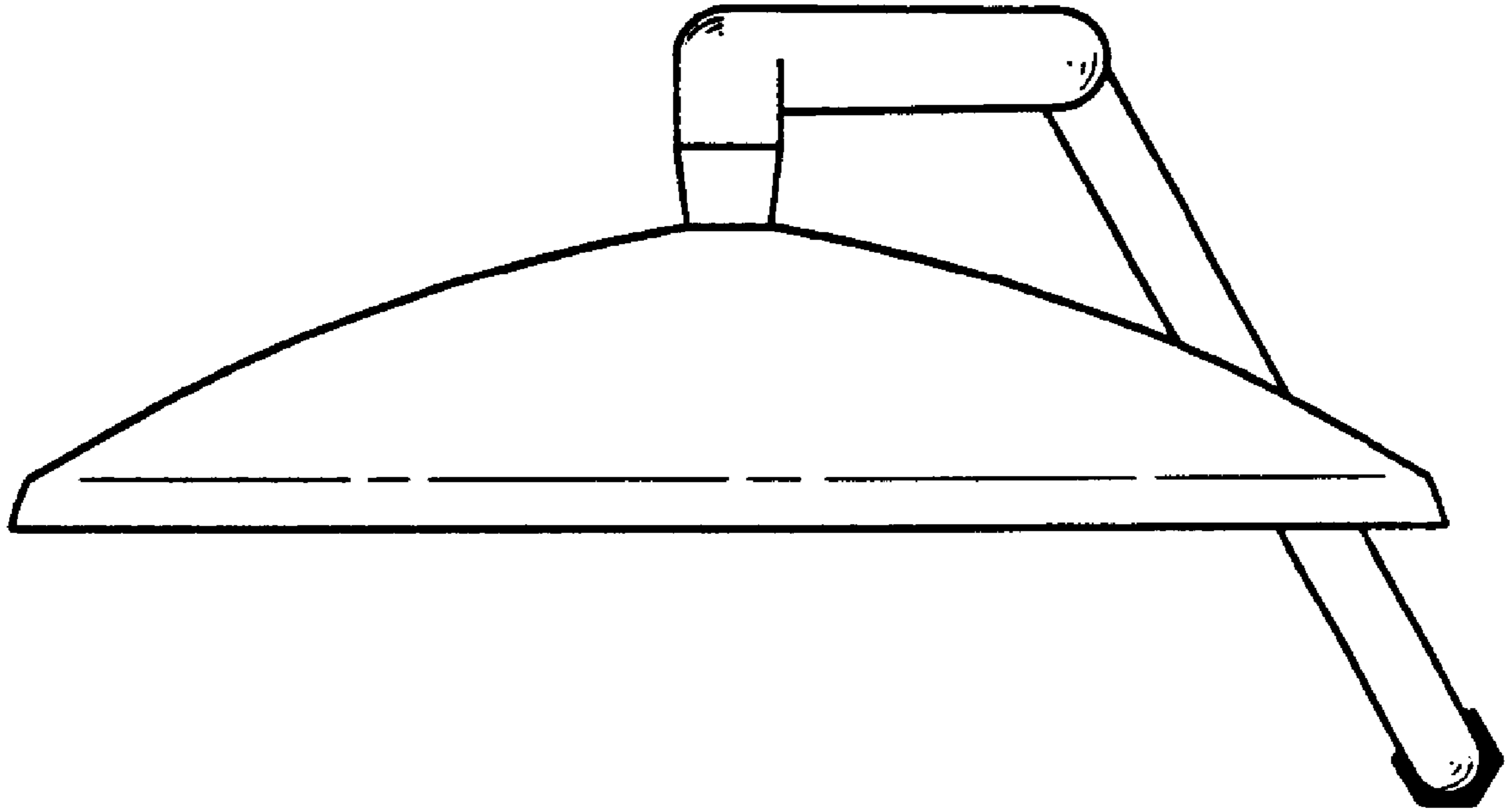


FIG. 6

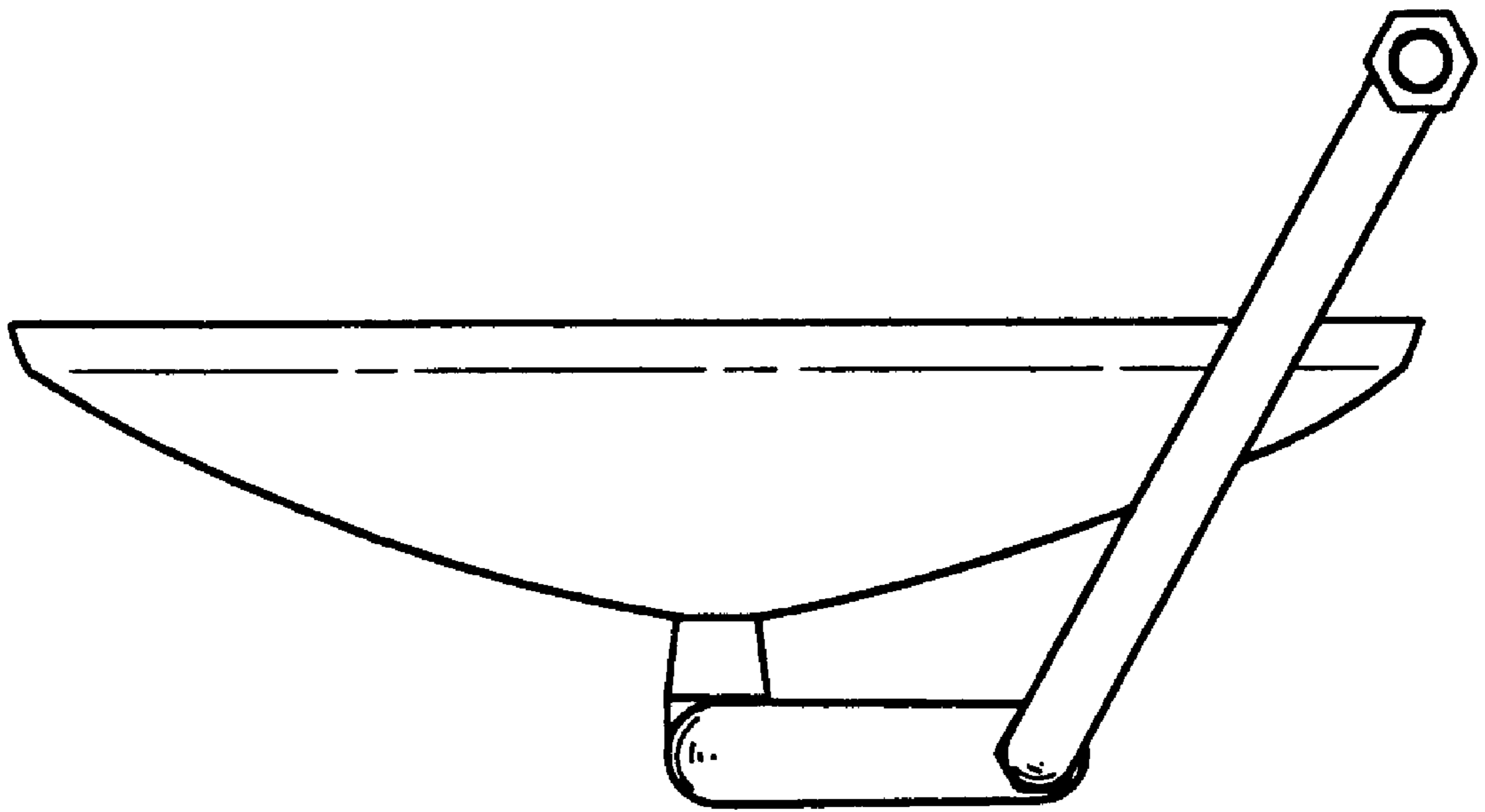


FIG. 7