



US00D445741S

(12) **United States Design Patent**
Carlson

(10) **Patent No.:** **US D445,741 S**

(45) **Date of Patent:** **** Jul. 31, 2001**

(54) **CLUTCH QUADRANT**

(75) Inventor: **Andrew D. Carlson**, Boca Raton, FL (US)

(73) Assignee: **Steeda**, Pompano Beach, FL (US)

(**) Term: **14 Years**

(21) Appl. No.: **29/117,301**

(22) Filed: **Jan. 20, 2000**

(51) **LOC (7) Cl.** **12-16**

(52) **U.S. Cl.** **D12/179**

(58) **Field of Search** D12/179, 93, 196,
D12/98; 74/502.2, 489, 475

(56) **References Cited**

U.S. PATENT DOCUMENTS

D. 392,608 * 3/1998 Pingel et al. D12/179

D. 392,609 * 3/1998 Pingel et al. D12/179

D. 422,253 * 4/2000 Boyken D12/179

* cited by examiner

Primary Examiner—Melody N. Brown

(74) *Attorney, Agent, or Firm*—McHale & Slavin

(57) **CLAIM**

The ornamental design for a clutch quadrant, as shown and described.

DESCRIPTION

FIG. 1 is a top view of the clutch quadrant of the instant invention;

FIG. 2 is a front elevational view thereof;

FIG. 3 is a back elevational view thereof;

FIG. 4 is a left side elevational view thereof;

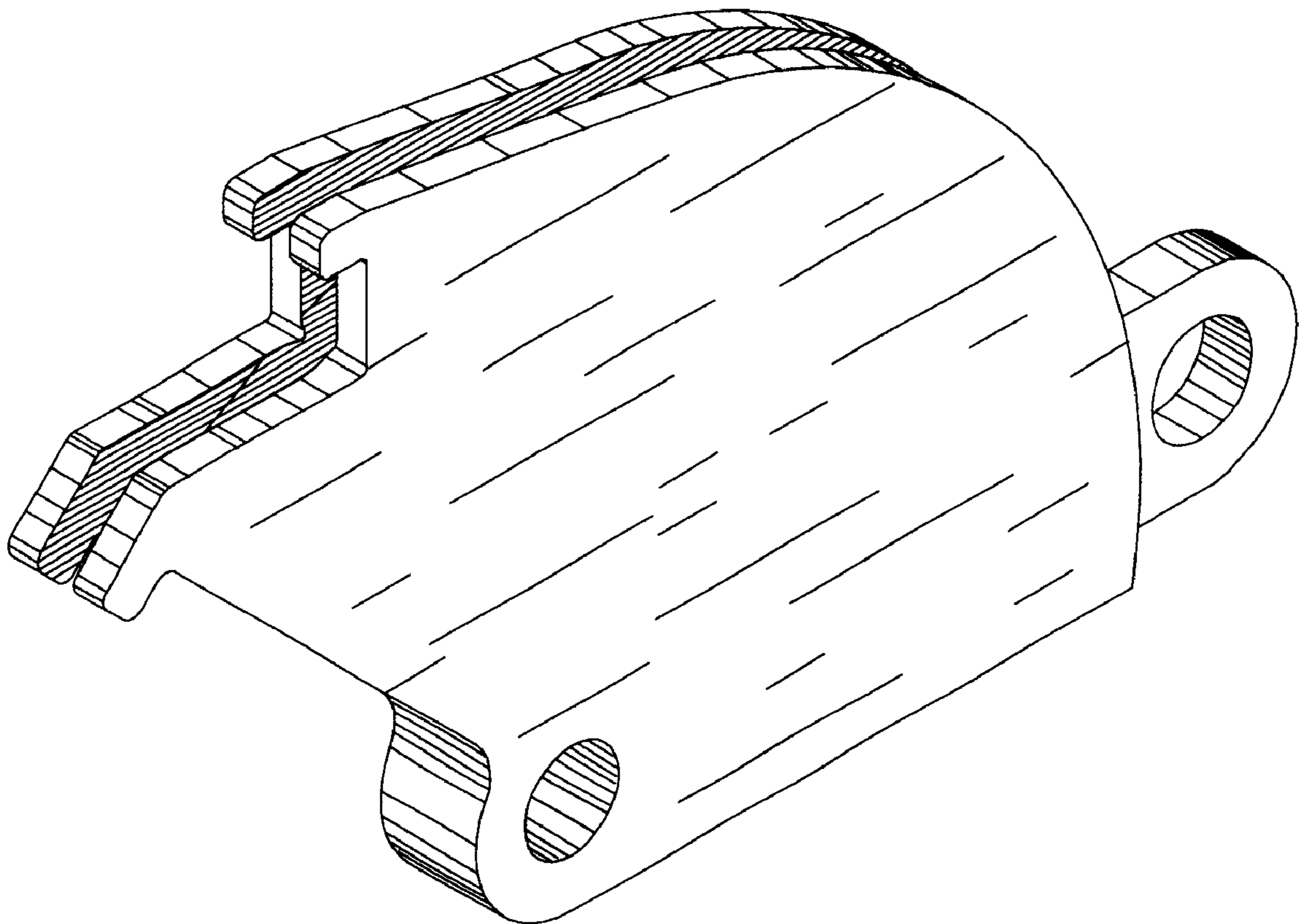
FIG. 5 is a right side elevational view thereof;

FIG. 6 is a bottom plan view thereof;

FIG. 7 is a left side perspective view thereof; and,

FIG. 8 is a right side perspective view thereof.

1 Claim, 8 Drawing Sheets



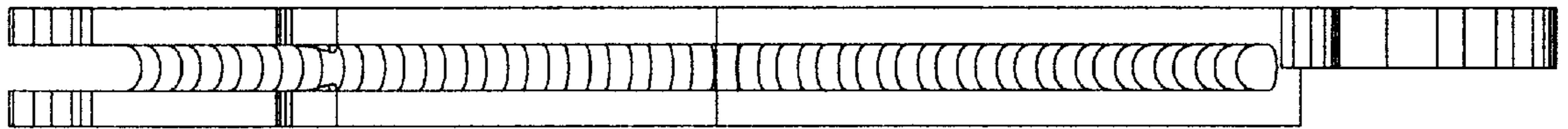


Figure 1

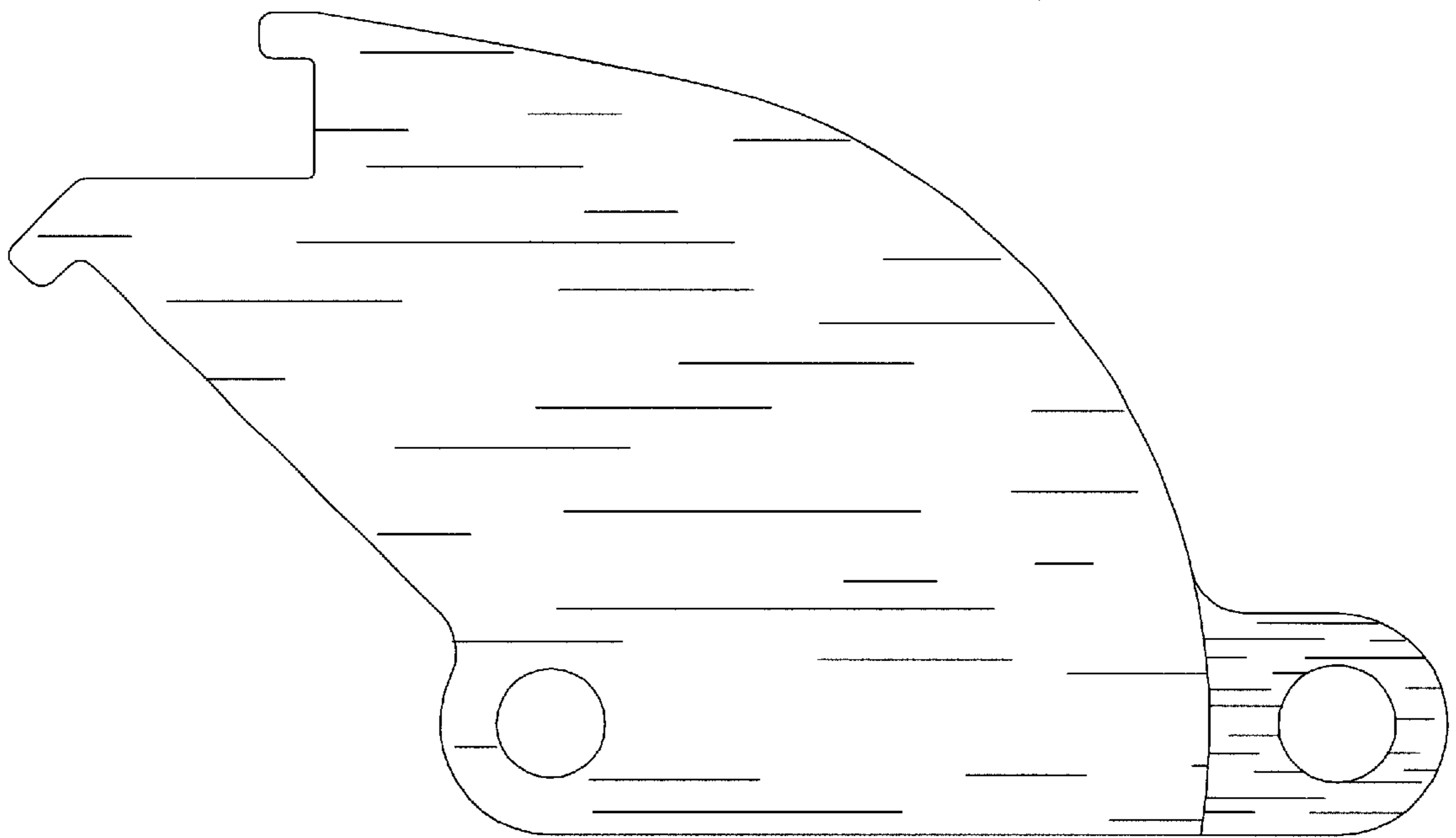


Figure 2

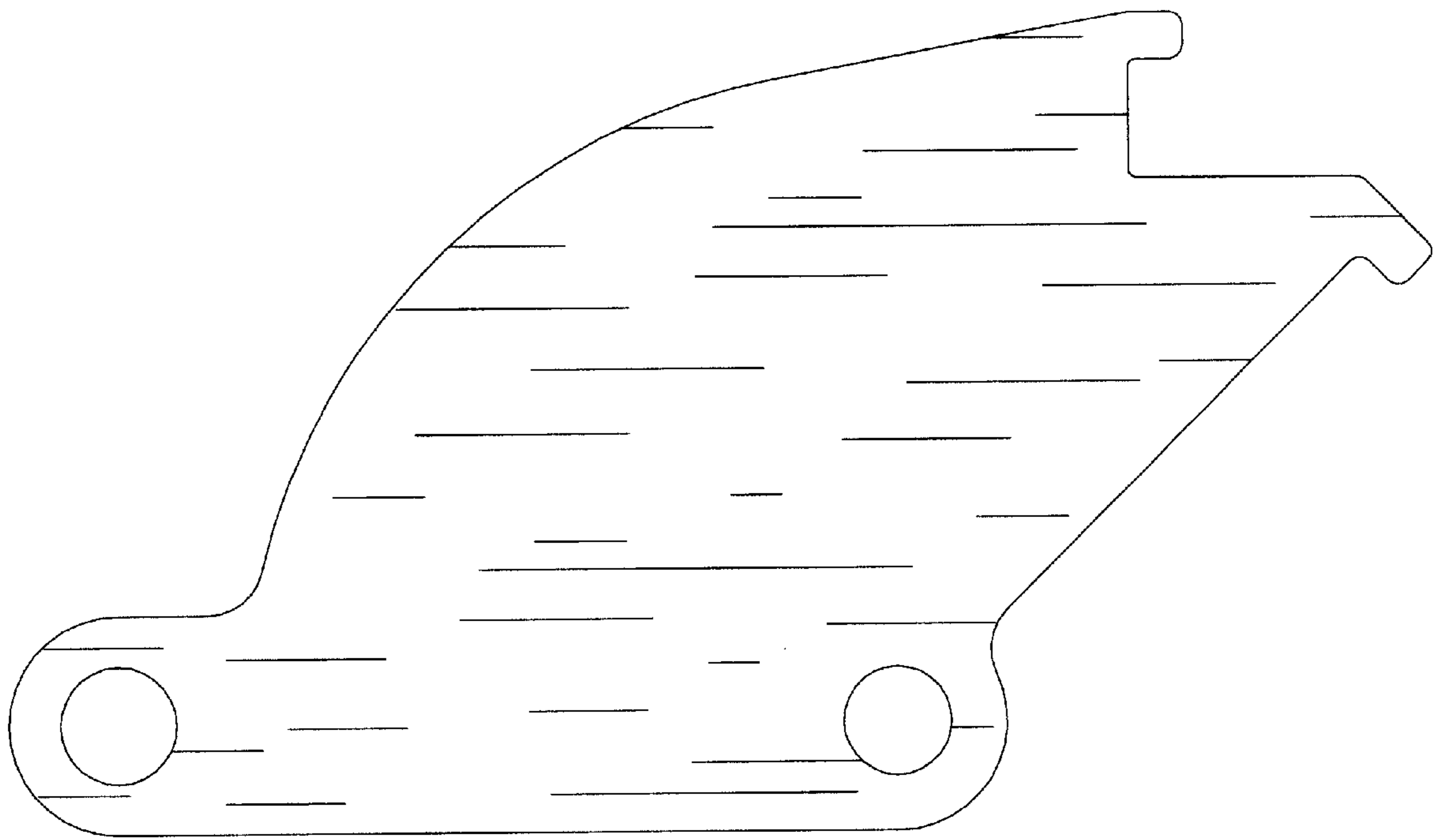


Figure 3



Figure 4

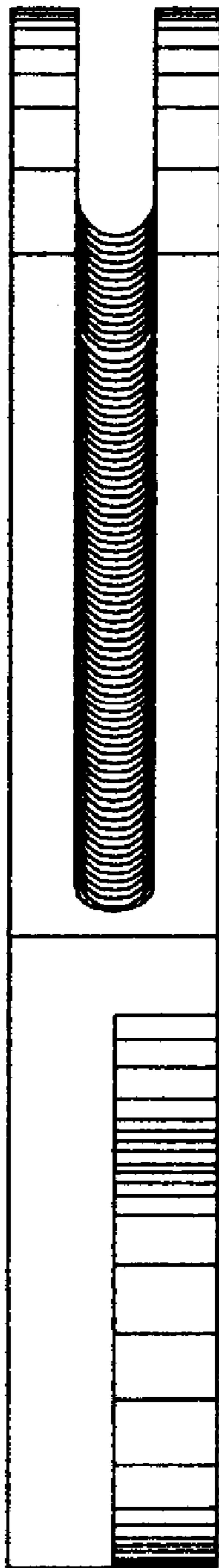


Figure 5

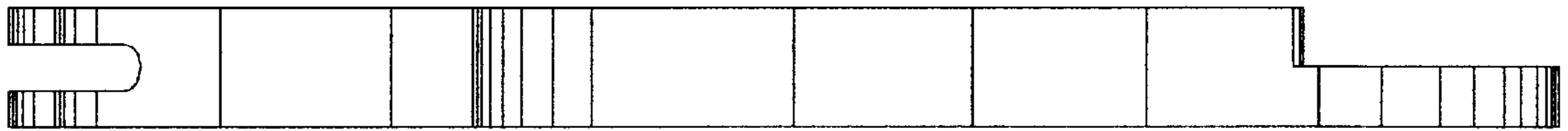


Figure 6

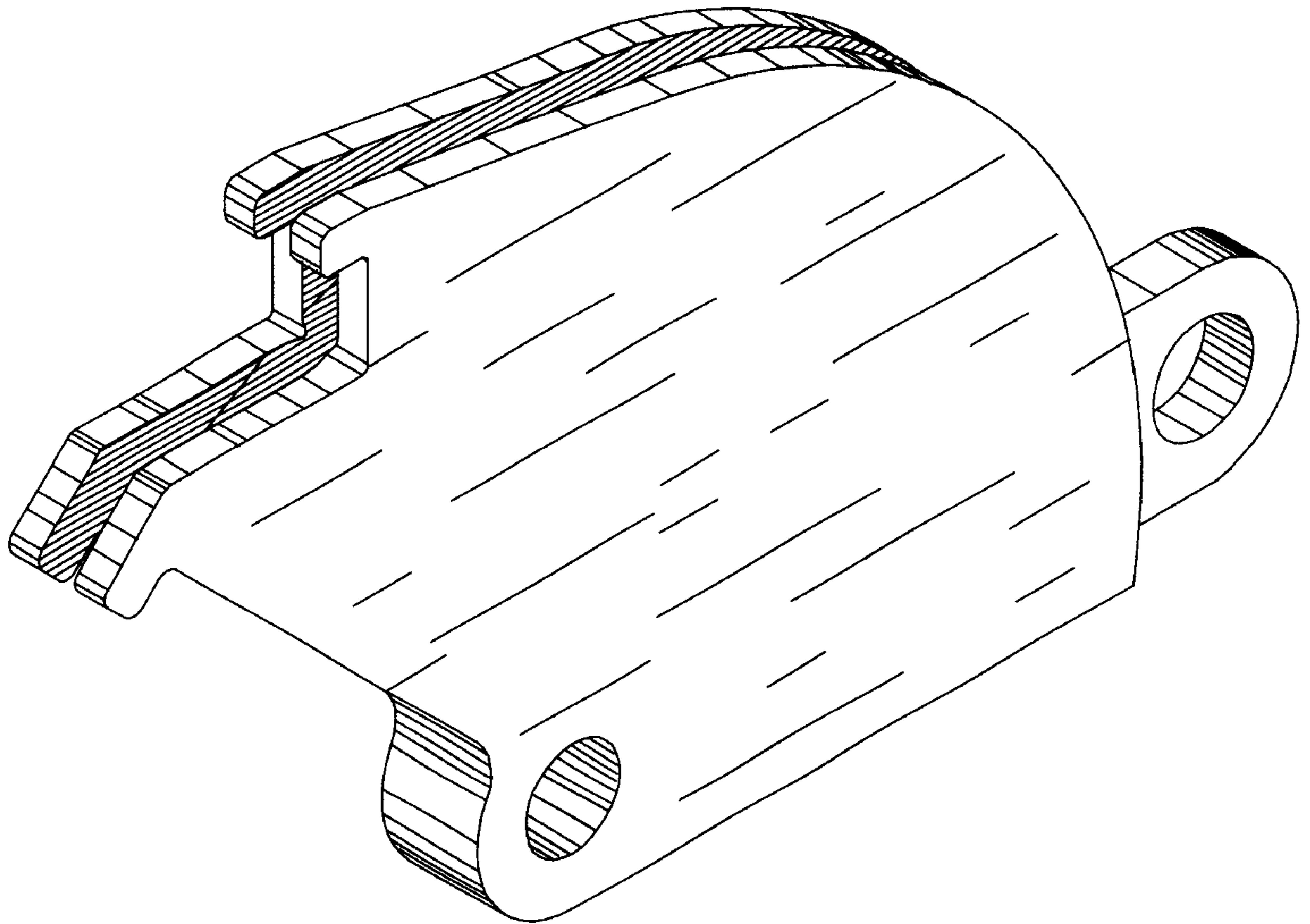


Figure 7

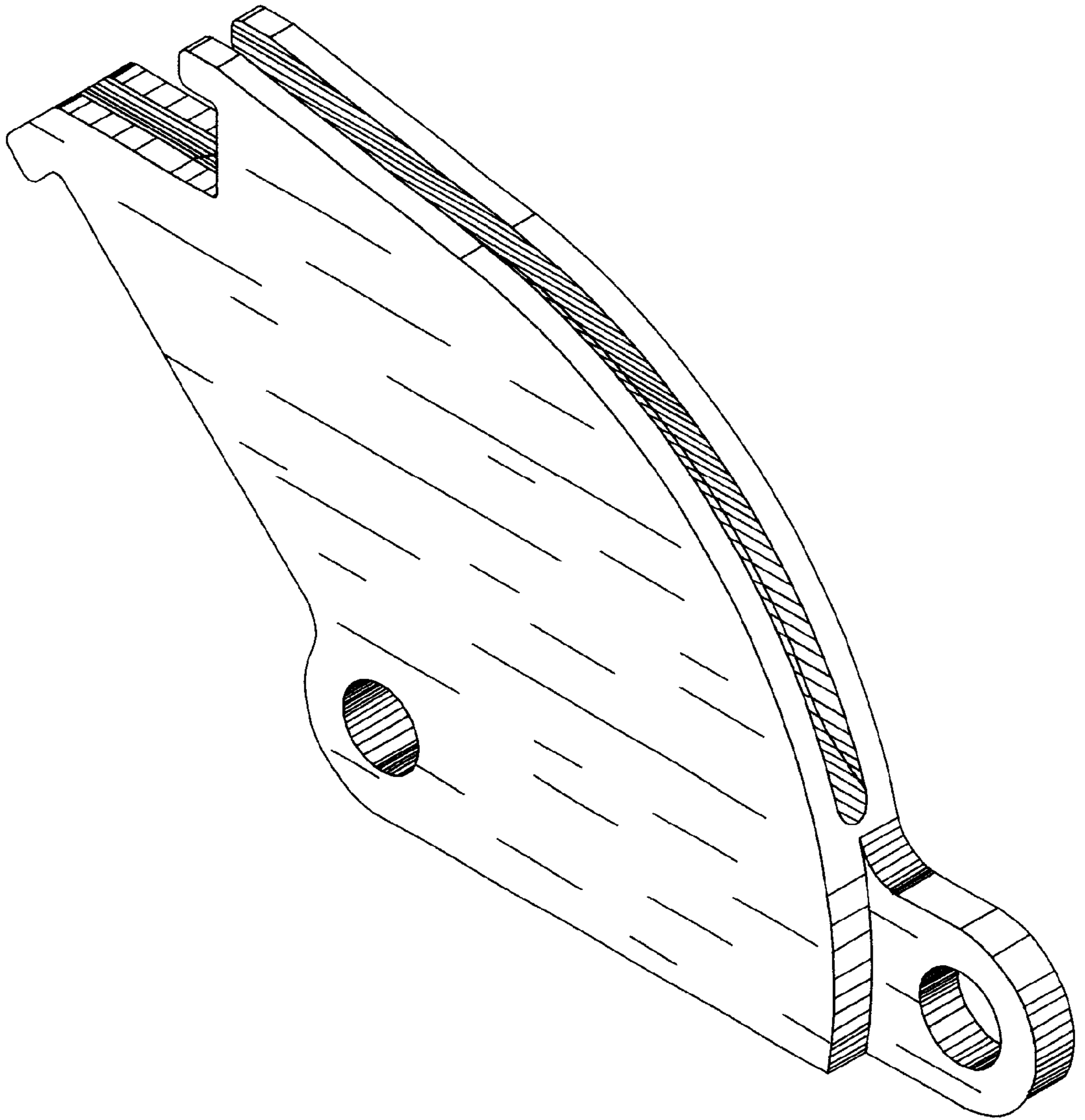


Figure 8