



US00D445739S

(12) **United States Design Patent**
Price

(10) **Patent No.:** **US D445,739 S**

(45) **Date of Patent:** **** Jul. 31, 2001**

(54) **VEHICLE HOOD**

(75) **Inventor:** **Howard B. Price**, Chesterfield, MO (US)

(73) **Assignee:** **Howard Price Turf Equipment, Inc.**, Chesterfield, MO (US)

(**) **Term:** **14 Years**

(21) **Appl. No.:** **29/132,418**

(22) **Filed:** **Nov. 8, 2000**

(51) **LOC (7) Cl.** **12-16**

(52) **U.S. Cl.** **D12/173**

(58) **Field of Search** D12/173, 93, 96,
D12/97, 163; 296/183, 190; 180/69.2, 89.12-89.14,
89.16

(56) **References Cited**

U.S. PATENT DOCUMENTS

- D. 266,921 11/1982 Parry .
- D. 271,008 10/1983 Saporito .
- D. 291,982 9/1987 Simons et al. .
- D. 292,899 11/1987 Samuelson et al. .
- D. 307,126 4/1990 Allendorf et al. .
- D. 307,878 5/1990 Lechner .
- D. 338,862 8/1993 Tisten et al. .
- D. 339,357 9/1993 Teal et al. .
- D. 343,818 2/1994 DeBaal et al. .
- D. 352,723 11/1994 DeBaal et al. .
- D. 367,027 2/1996 Onopa .

- D. 382,279 8/1997 Goebert et al. .
- D. 389,109 1/1998 Stollery .
- D. 393,436 4/1998 Williams .
- D. 394,624 5/1998 Allendorph et al. .
- D. 401,543 11/1998 Mobley .
- D. 403,637 1/1999 Abalos et al. .
- D. 404,697 1/1999 Siltavuori .
- D. 411,210 6/1999 Goebert et al. .
- D. 411,493 6/1999 Davis, Jr. .
- D. 412,689 8/1999 Onopa .
- D. 420,633 * 2/2000 Daniels et al. D12/163
- D. 427,205 * 6/2000 Shimizu D12/173
- D. 434,709 * 12/2000 Hoyle, Jr. D12/173

* cited by examiner

Primary Examiner—Melody N. Brown

(74) *Attorney, Agent, or Firm*—Howell & Haferkamp, L.C.

(57) **CLAIM**

The ornamental design for a vehicle hood, as shown and described.

DESCRIPTION

FIG. 1 is a left front perspective view of a vehicle hood of the present invention showing my new design;
 FIG. 2 is a front elevational view of the vehicle hood of FIG. 1;
 FIG. 3 is a left side elevational view of the vehicle hood of FIG. 1, the right side elevational view being a mirror image thereof; and,
 FIG. 4 is a top plan view of the vehicle hood of FIG. 1.

1 Claim, 3 Drawing Sheets

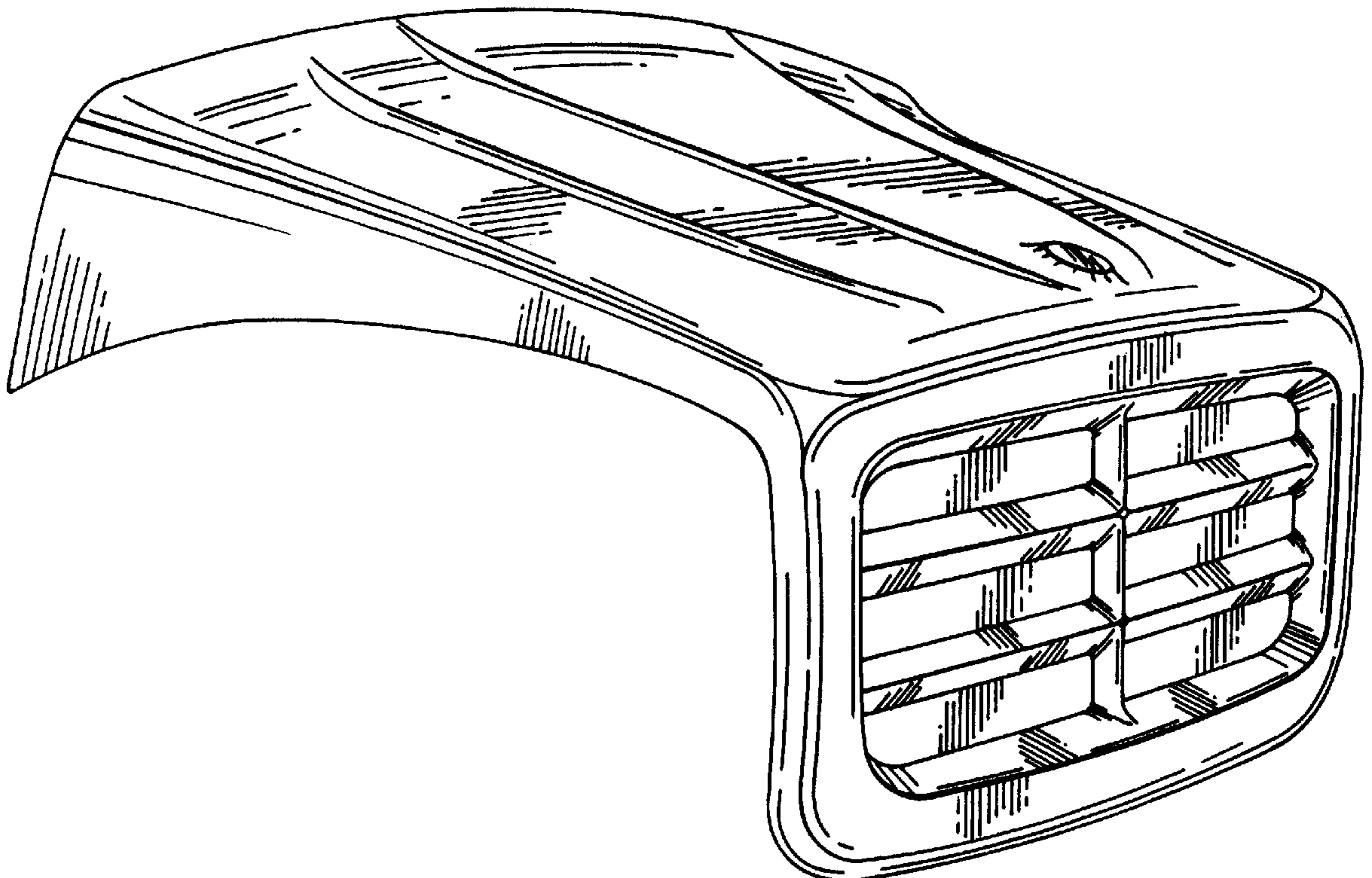


FIG. 1

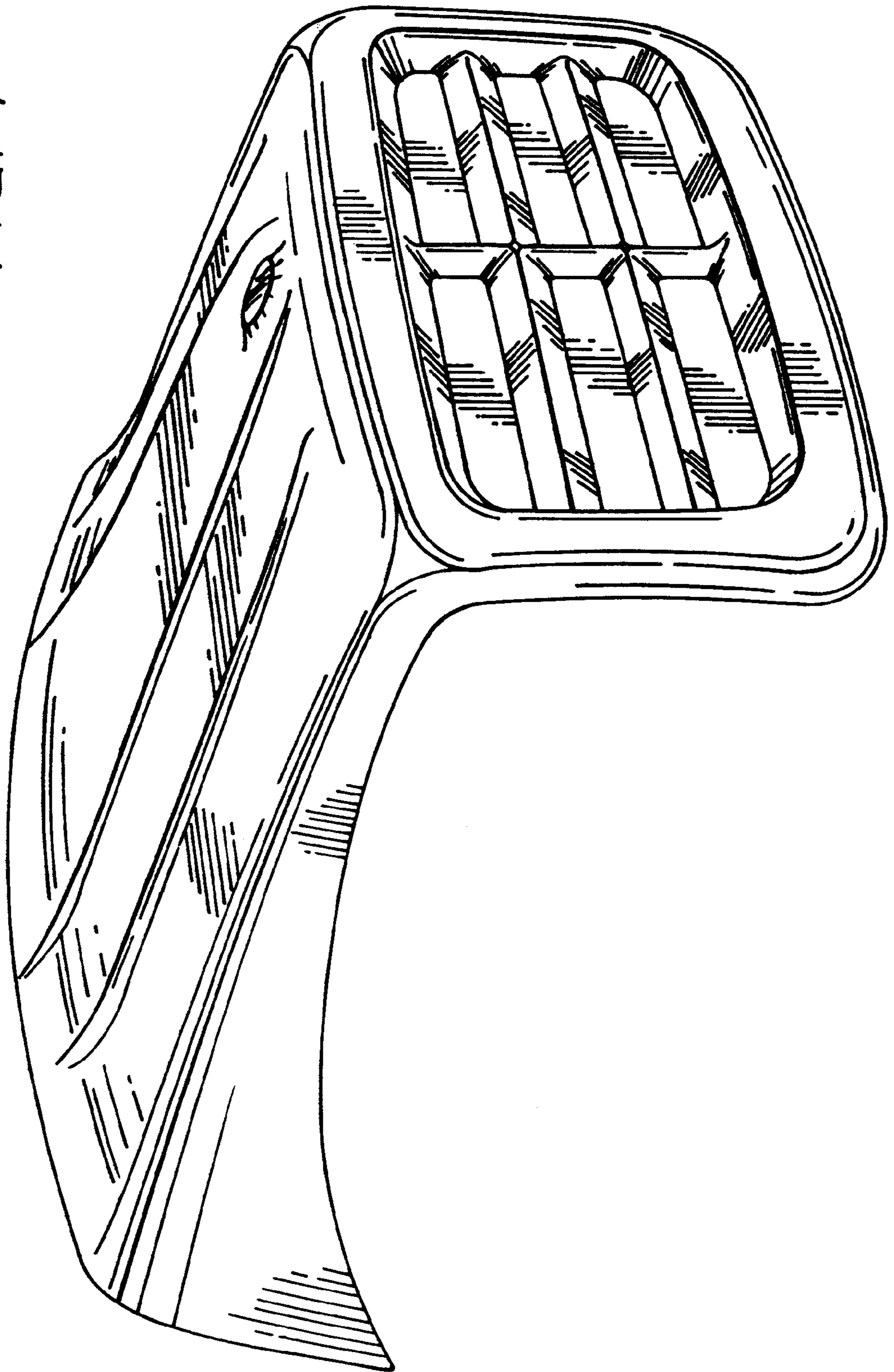


FIG. 2

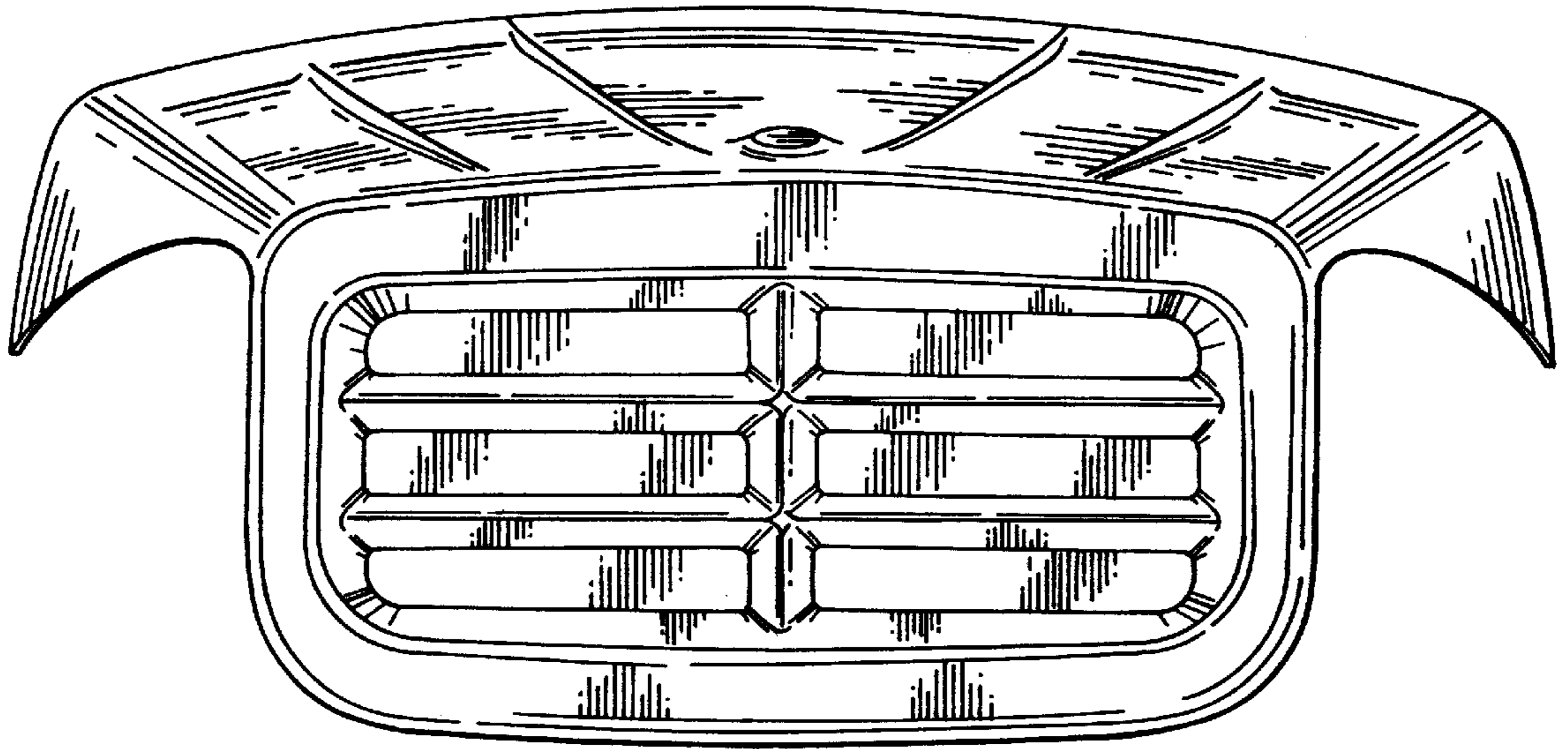


FIG. 3

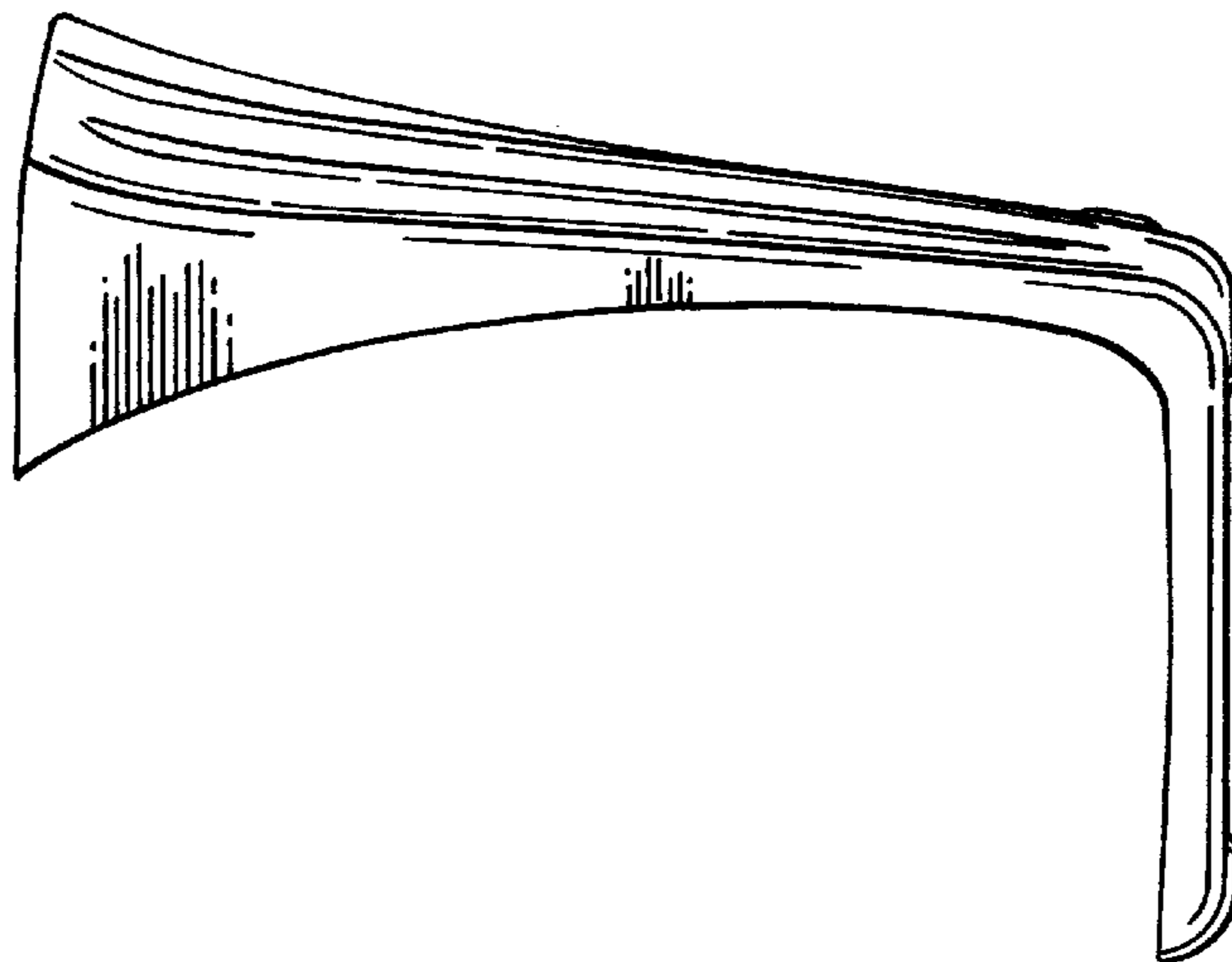


FIG. 4

