



US00D445738S

(12) **United States Design Patent**
Lindenman et al.

(10) **Patent No.:** **US D445,738 S**

(45) **Date of Patent:** **** Jul. 31, 2001**

(54) **TRAILER HITCH RECEIVER ASSEMBLY WITH TOWING ACCESSORY PORTS**

(75) Inventors: **Thomas W. Lindenman**, South Bend;
Richard W. McCoy, Granger, both of IN (US)

(73) Assignee: **Reese Products, Inc.**, Elkhart, IN (US)

(**) Term: **14 Years**

(21) Appl. No.: **29/133,011**

(22) Filed: **Nov. 20, 2000**

(51) **LOC (7) Cl.** **12-16**

(52) **U.S. Cl.** **D12/162**

(58) **Field of Search** D12/162, 400;
280/402, 415.1, 416.1, 482, 490.1, 493,
495, 491.1-491.49, 500-501, 505, 511

(56) **References Cited**

U.S. PATENT DOCUMENTS

- D. 268,574 * 4/1983 Hampton D12/162
- D. 341,117 * 11/1993 Sundstedt D12/162
- D. 373,557 * 9/1996 Shaw et al. D12/162
- D. 379,343 * 5/1997 Shaw et al. D12/162
- D. 420,631 * 2/2000 Shaw et al. D12/162
- D. 424,989 * 5/2000 McCoy et al. D12/162
- D. 424,990 * 5/2000 McCoy et al. D12/162
- D. 427,118 * 6/2000 McCoy et al. D12/162
- D. 431,504 * 10/2000 Hoska D12/162

- D. 433,357 * 11/2000 McCoy et al. D12/162
- D. 434,708 * 12/2000 McCoy et al. D12/162
- 4,159,833 7/1979 Meiners .
- 4,204,702 5/1980 Oltrogge .
- 4,318,501 3/1982 Graber .
- 4,326,730 4/1982 Tomen .
- 4,915,276 4/1990 Devito .
- 4,950,010 8/1990 Denny .
- 5,460,304 10/1995 Porter et al. .
- 5,476,279 12/1995 Klemetsen .
- 5,620,198 4/1997 Borchers .

* cited by examiner

Primary Examiner—Stacia Cadmus

(74) *Attorney, Agent, or Firm*—King and Schickli, PLLC

(57) **CLAIM**

The ornamental design for a trailer hitch receiver assembly with towing accessory ports, as shown and described.

DESCRIPTION

FIG. 1 is a perspective view of the trailer hitch receiver assembly with towing accessory ports of the present invention;

FIG. 2 is a front elevational view thereof;

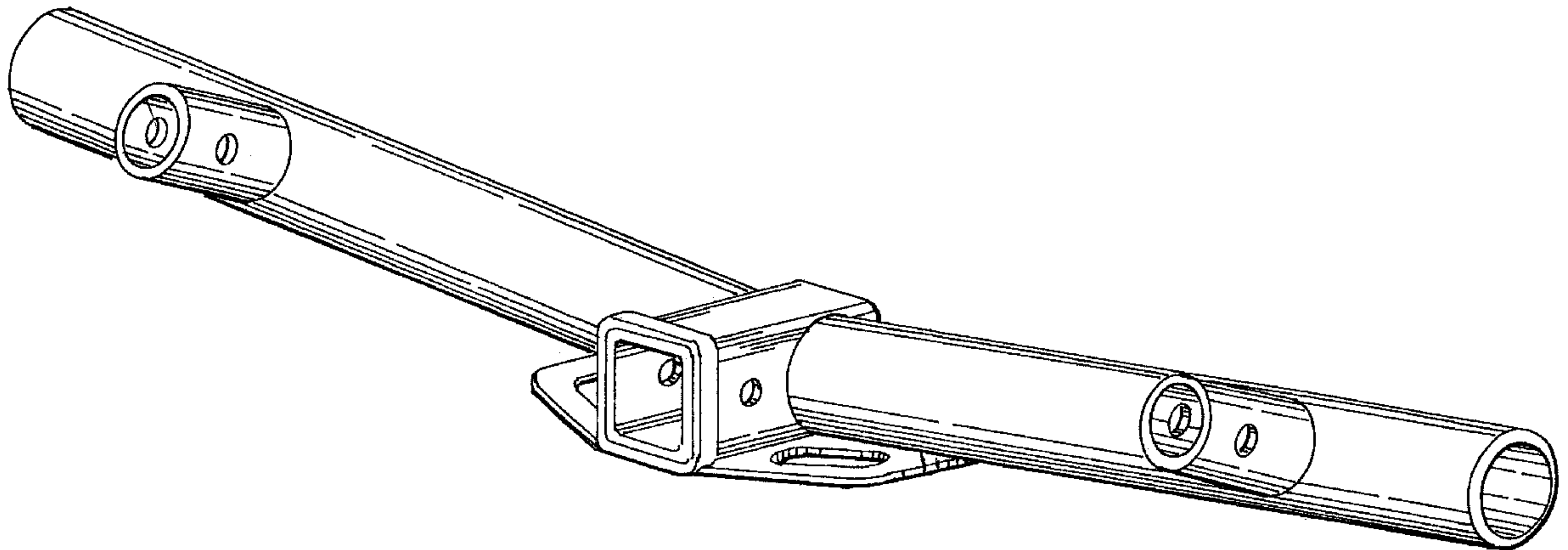
FIG. 3 is a rear elevational view thereof;

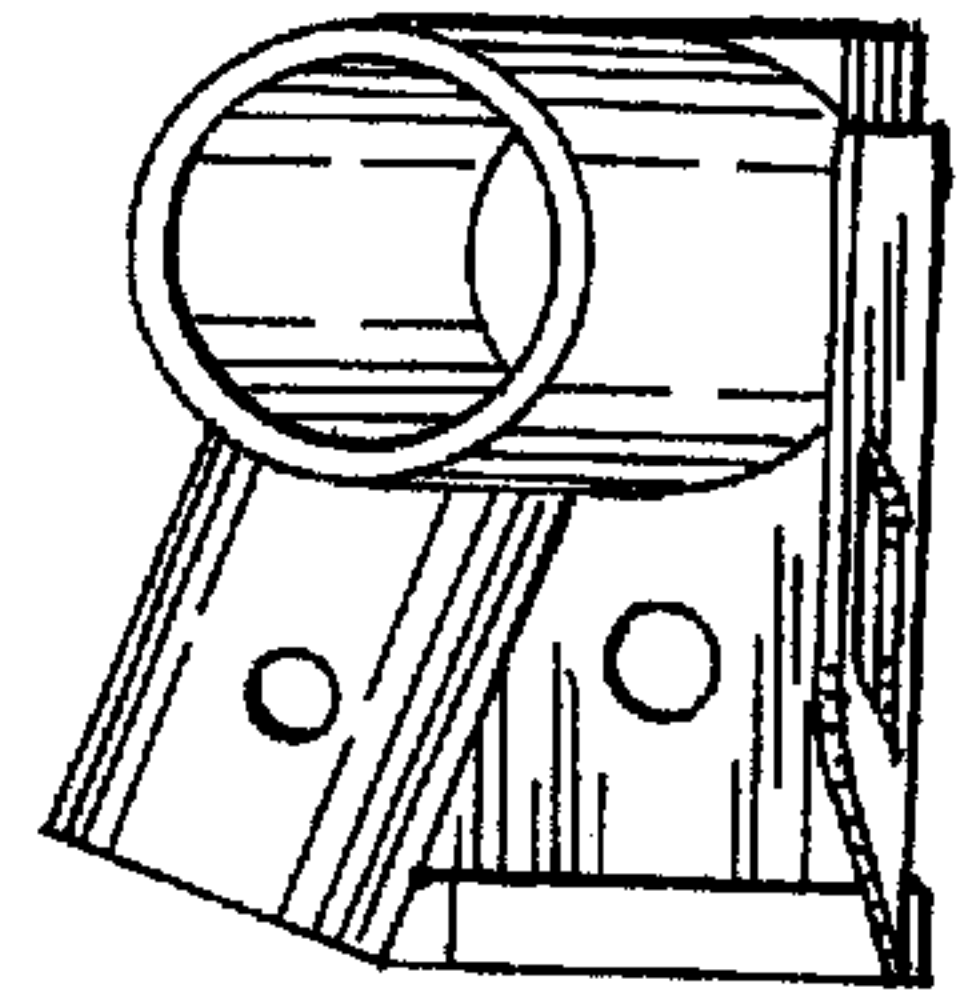
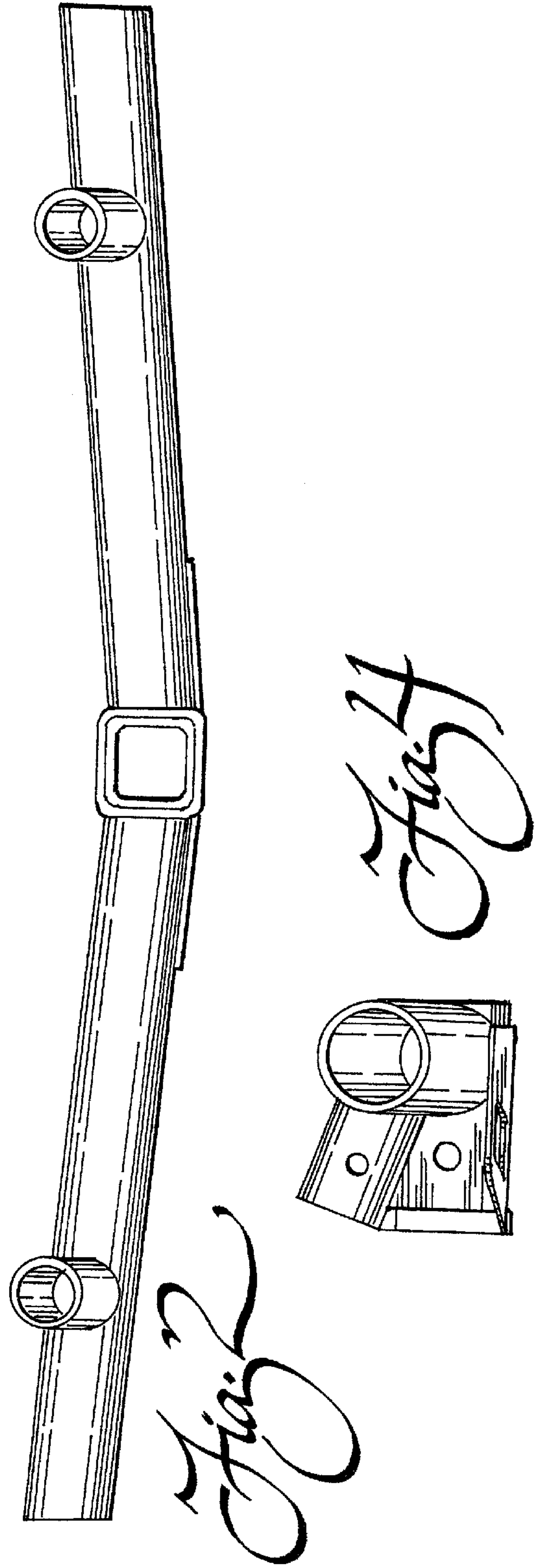
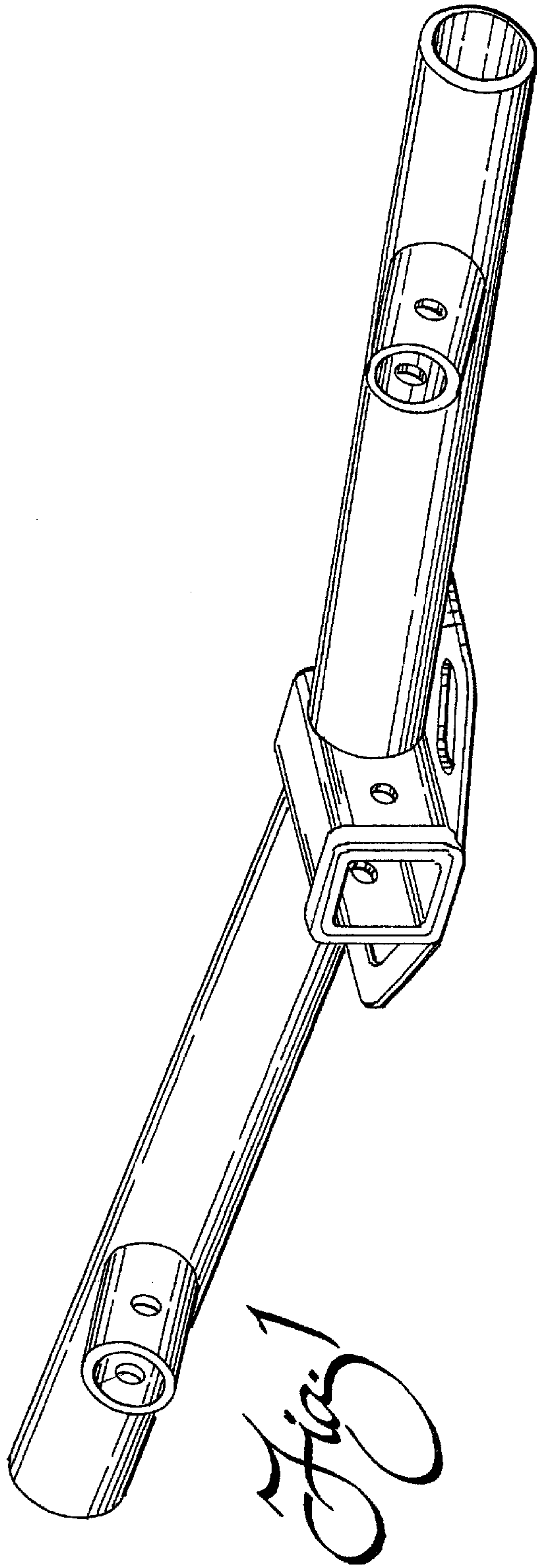
FIG. 4 is a right side elevational view, the left side elevational view being a substantial mirror image thereof;

FIG. 5 is a top plan view thereof; and,

FIG. 6 is a bottom plan view thereof.

1 Claim, 2 Drawing Sheets





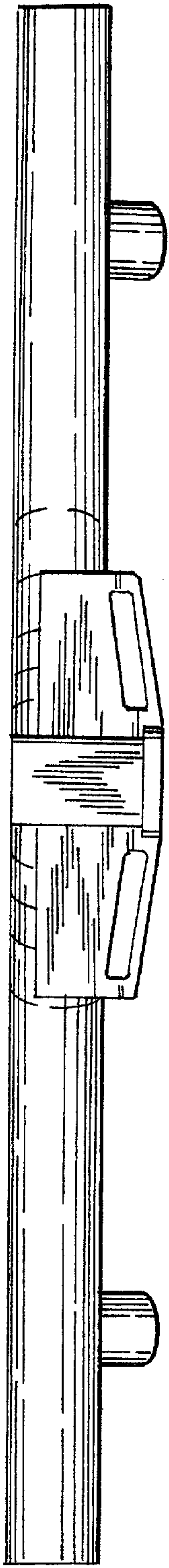


Fig. 6

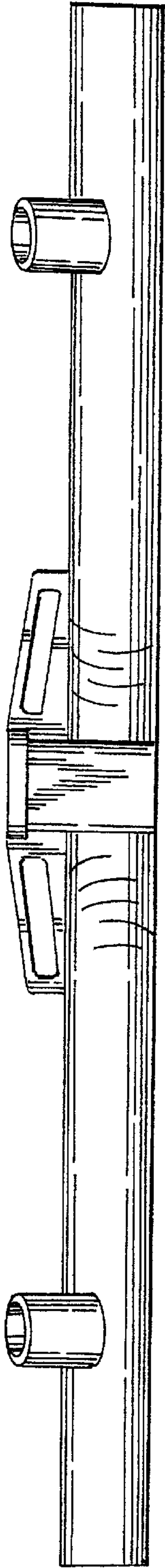


Fig. 5

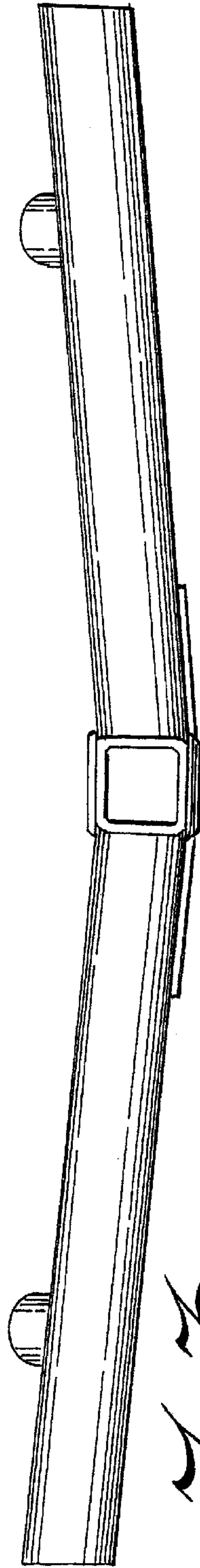


Fig. 7