



US00D445723S

(12) **United States Design Patent**
Kim

(10) **Patent No.:** **US D445,723 S**

(45) **Date of Patent:** **** Jul. 31, 2001**

(54) **STRING ADJUSTER IN BRASSIERE/BODY SUIT**

(76) **Inventor:** **Park Kim**, 301 Symphony House, 5/4
66-1, Samsung-dong, Kangnam-gu,
Seoul (KR)

(**) **Term:** **14 Years**

(21) **Appl. No.:** **29/123,259**

(22) **Filed:** **May 15, 2000**

(30) **Foreign Application Priority Data**

Mar. 9, 2000 (KR) 00-5952

(51) **LOC (7) Cl.** **02-07**

(52) **U.S. Cl.** **D11/218**

(58) **Field of Search** D11/200-218;
24/200, 201, 208, 196, 198, 265; D2/706;
450/86, 54; 2/323

(56) **References Cited**

U.S. PATENT DOCUMENTS

D. 253,320	11/1979	Adams	D2/447
D. 267,909	* 2/1983	Fildan	D11/218
D. 328,044	* 7/1992	Murai	D11/218
D. 350,712	* 9/1994	D'Ambrosio et al.	D11/218
D. 357,435	* 4/1995	Cook	D11/218
D. 364,126	* 11/1995	Ochiai et al.	D11/218

3,121,270	*	2/1964	Broek et al.	24/200
3,161,931	*	12/1964	Zif	24/200
3,164,154	*	1/1965	Simonsen	24/200
4,204,300		5/1980	Fildan	24/201
4,953,233		9/1990	Moshier	2/268
5,060,348		10/1991	Moshier	24/442
5,432,985	*	7/1995	Bernart	24/200 X
5,899,791		5/1999	Fildan	450/82

* cited by examiner

Primary Examiner—Louis S. Zarfaz

Assistant Examiner—Catherine R Oliver

(74) *Attorney, Agent, or Firm*—Jacobson Holman, PLLC

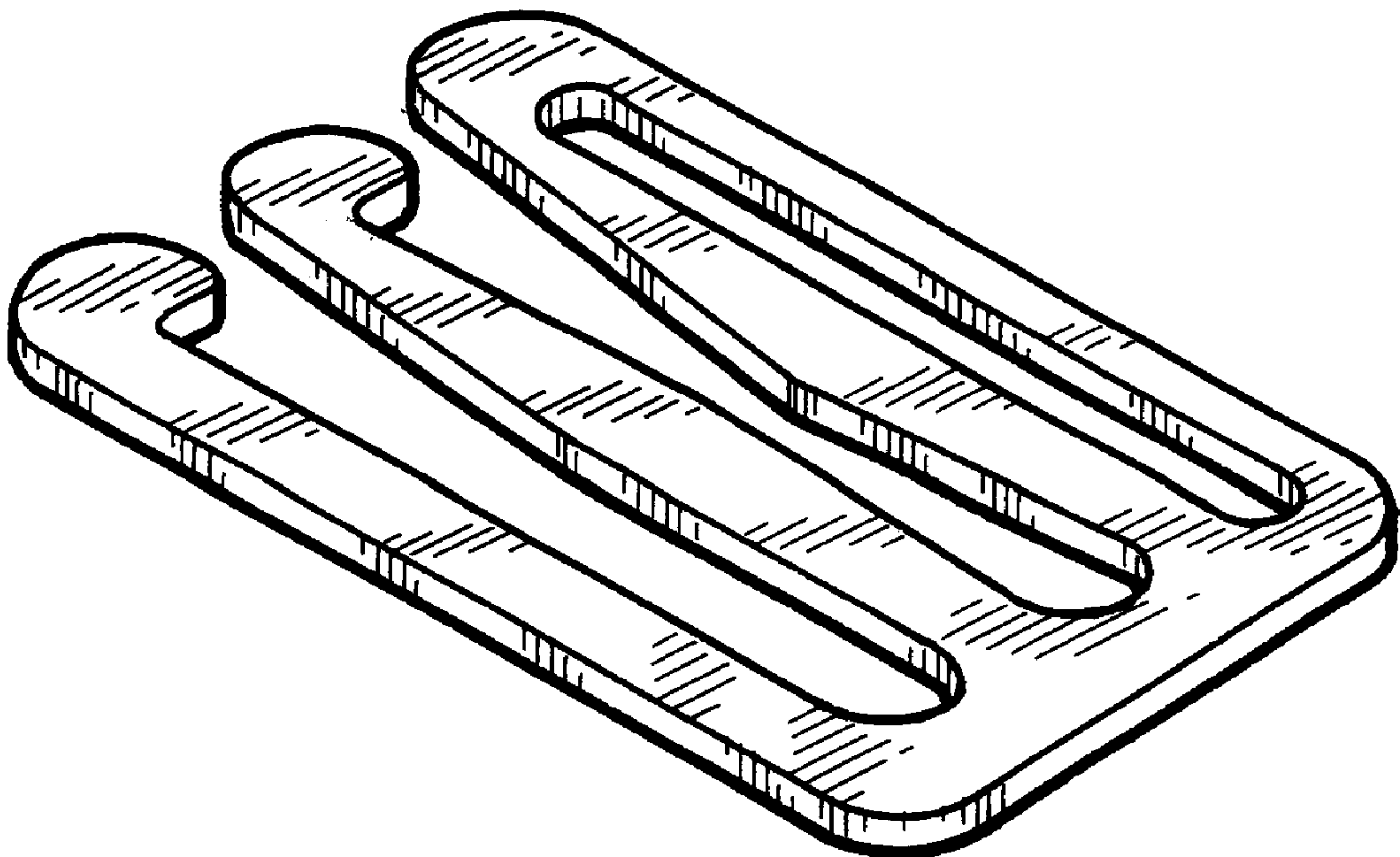
(57) **CLAIM**

The ornamental design for a string adjuster in brassiere/body suit, as shown and described.

DESCRIPTION

FIG. 1 is a perspective view of a string adjuster in brassiere/body suit according to my invention;
FIG. 2 is a top view thereof;
FIG. 3 is a front view thereof;
FIG. 4 is a right side view thereof;
FIG. 5 is a bottom view thereof;
FIG. 6 is a rear view thereof;
FIG. 7 is a left side view thereof; and,
FIG. 8 is a reference view thereof.

1 Claim, 2 Drawing Sheets



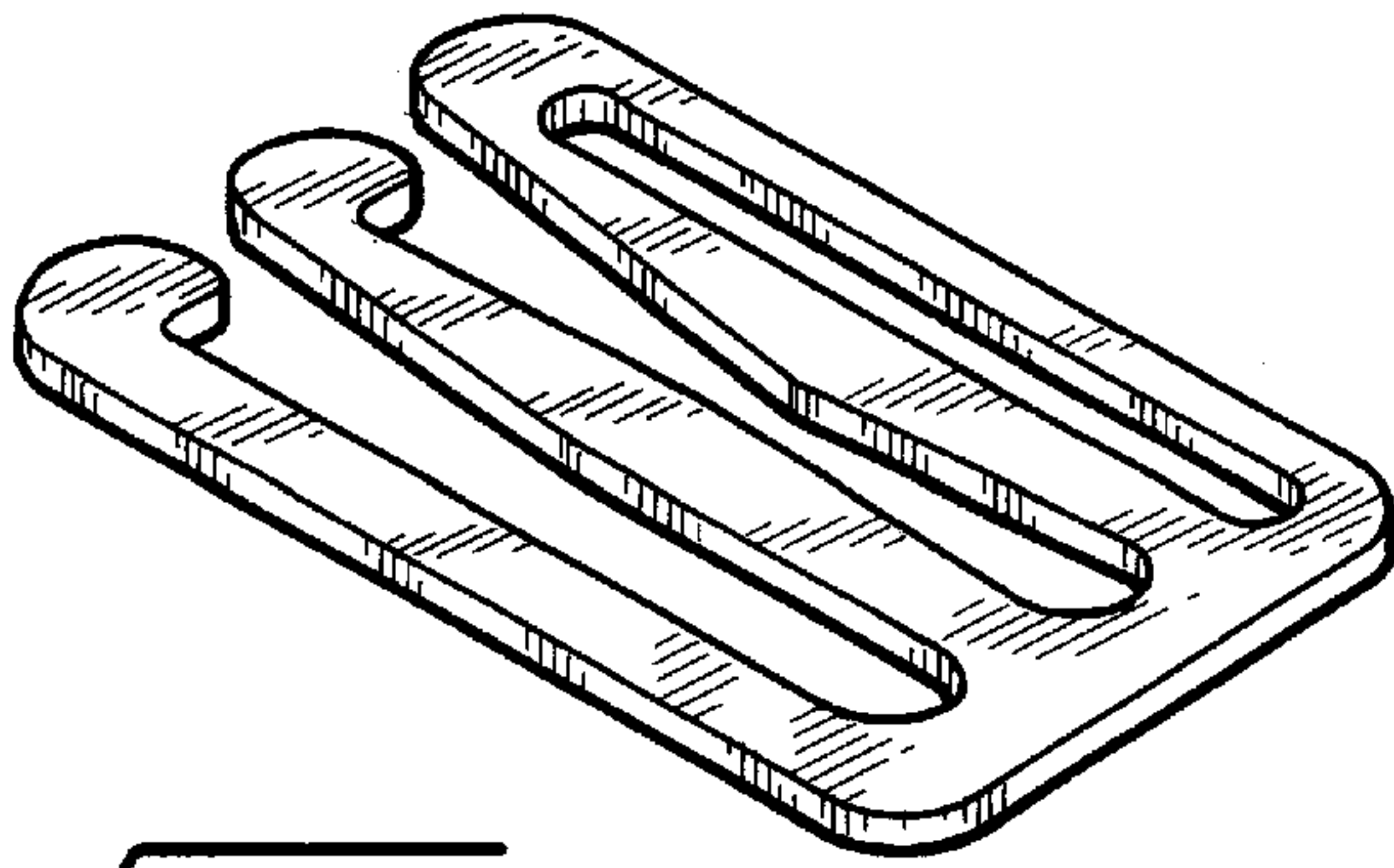


FIG. 1



FIG. 3

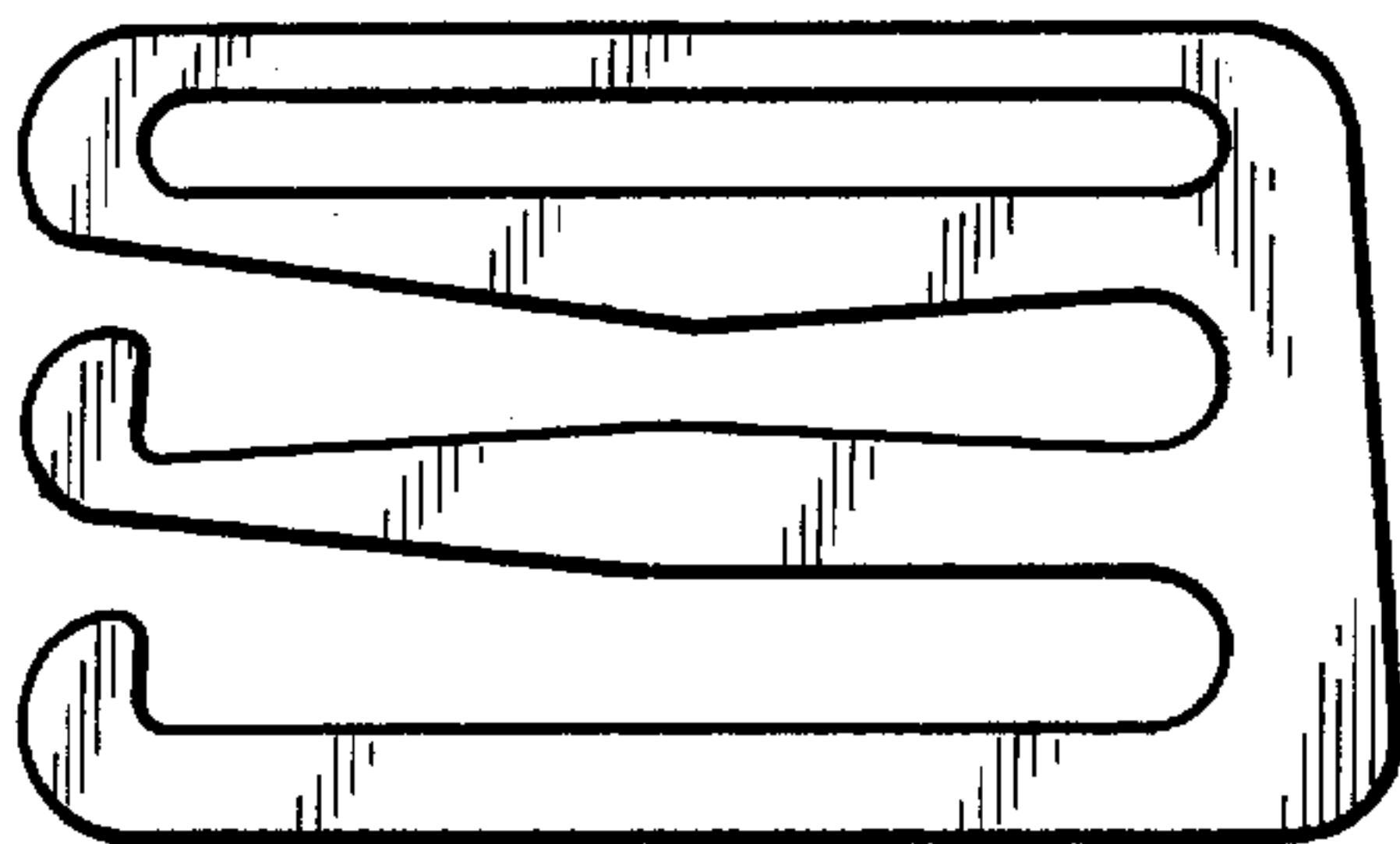


FIG. 2



FIG. 4

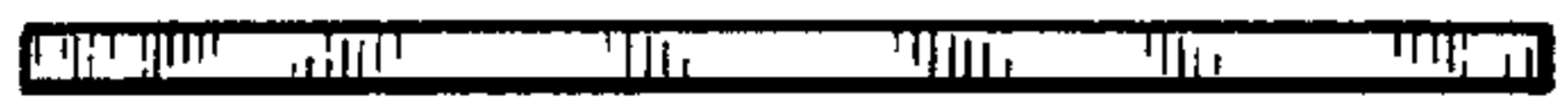


FIG. 6

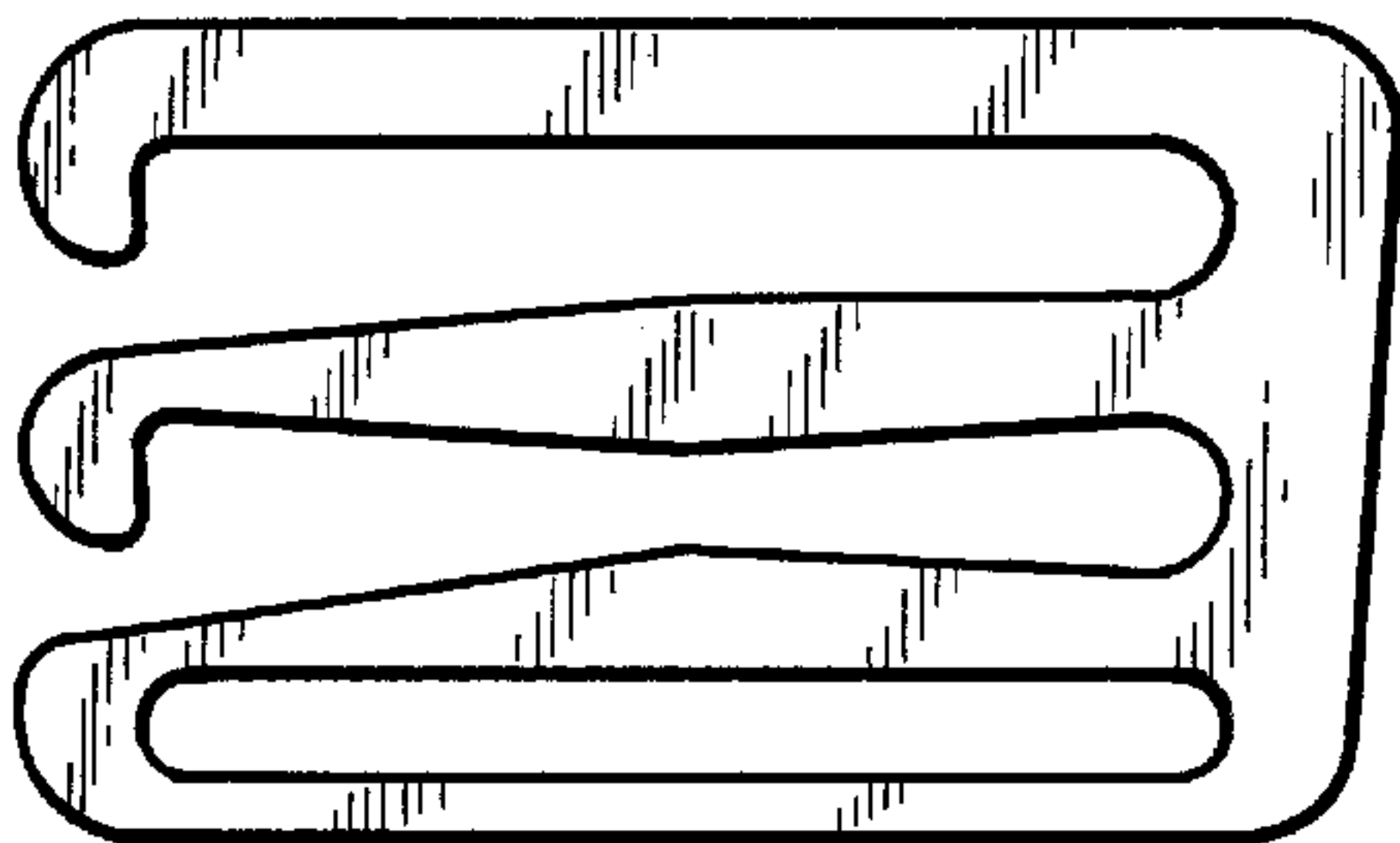


FIG. 5



FIG. 7

FIG. 8

