



US00D445710S

(12) **United States Design Patent** (10) **Patent No.:** **US D445,710 S**
Lewis (45) **Date of Patent:** **** Jul. 31, 2001**

(54) **REFLECTIVE TRAIL MARKER**

(75) Inventor: **Roger D. Lewis**, Nekoosa, WI (US)

(73) Assignee: **Lewis Hunting Accessories, Mfg., Inc.**,
Nekoosa, WI (US)

(**) Term: **14 Years**

(21) Appl. No.: **29/134,346**

(22) Filed: **Dec. 19, 2000**

(51) **LOC (7) Cl.** **10-05**

(52) **U.S. Cl.** **D10/109**

(58) **Field of Search** D10/104, 109,
D10/111, 113, 114; D20/10, 22, 27, 28;
40/124, 584, 300-310

(56) **References Cited**

U.S. PATENT DOCUMENTS

D. 437,246	*	2/2001	Nelson	D10/109
2,213,708		9/1940	Lange	.	
2,264,605		12/1941	Ackerman	.	
3,834,789		9/1974	Brudy	.	

OTHER PUBLICATIONS

Product literature illustrating Original Bright Eyes Highly Reflective Tacks (pre 1998).
Product literature illustrating Bright Eyes All "Way" Shine Tacks (pre 1998).

Product literature illustrating Bright Eyes "Night and Day Angle Pin" reflective trail markers (1998).

U.S. application No. 09/157,130, filed Sep. 18, 1998 by Roger D. Lewis, (now on appeal before the Board of Patent Appeals and Interferences).

* cited by examiner

Primary Examiner—Marcus A. Jackson
(74) *Attorney, Agent, or Firm*—Foley & Lardner

(57) **CLAIM**

The ornamental design for the reflective trail marker, as shown and described.

DESCRIPTION

FIG. 1 is a perspective view of a reflective trail marker showing my new design.

FIG. 2 is a side plan view thereof, the view thereof from each of the four sides of the reflective trail marker being identical.

FIG. 3 is a top view thereof; and,

FIG. 4 is a bottom view thereof.

1 Claim, 1 Drawing Sheet

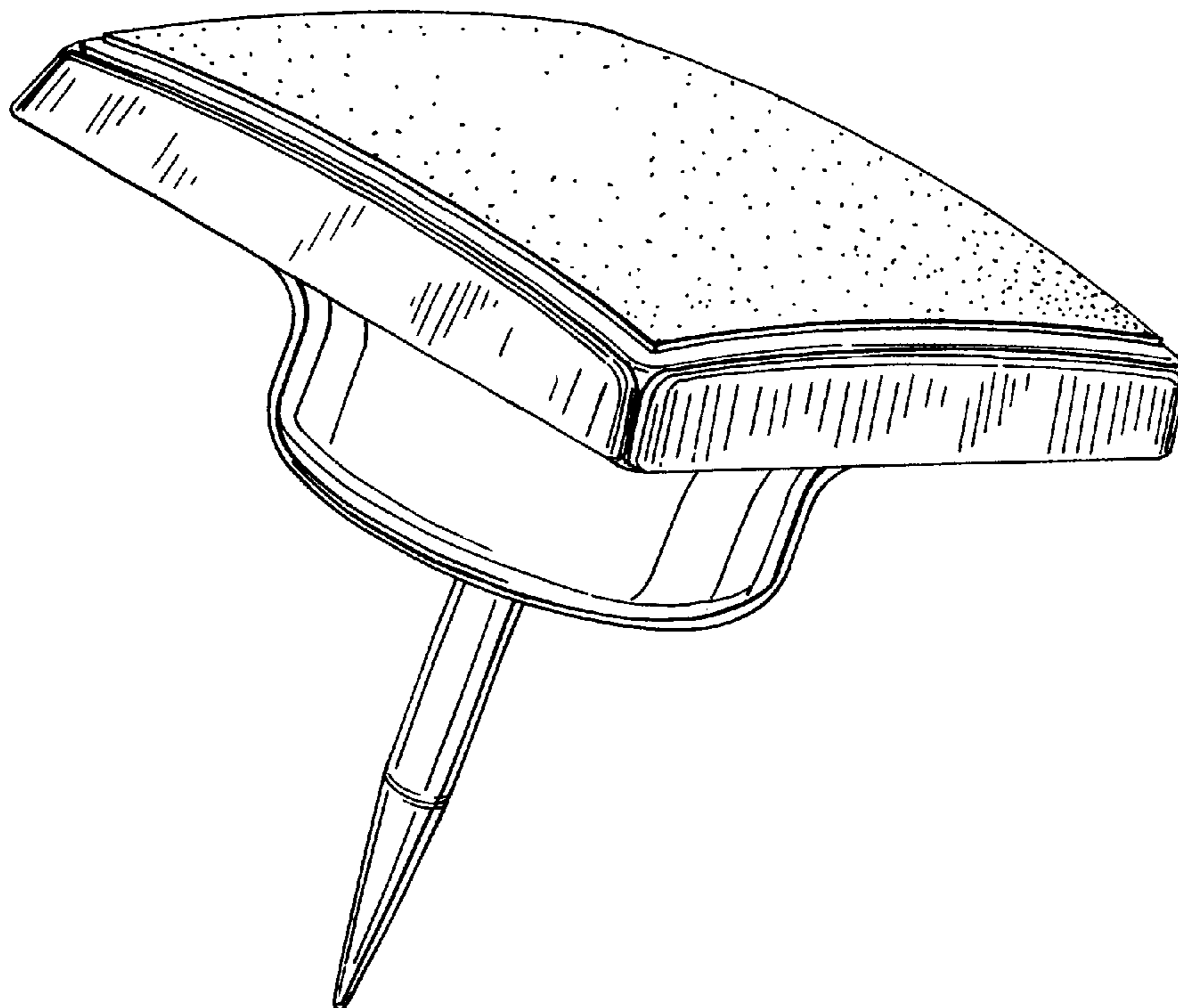


FIG. 1

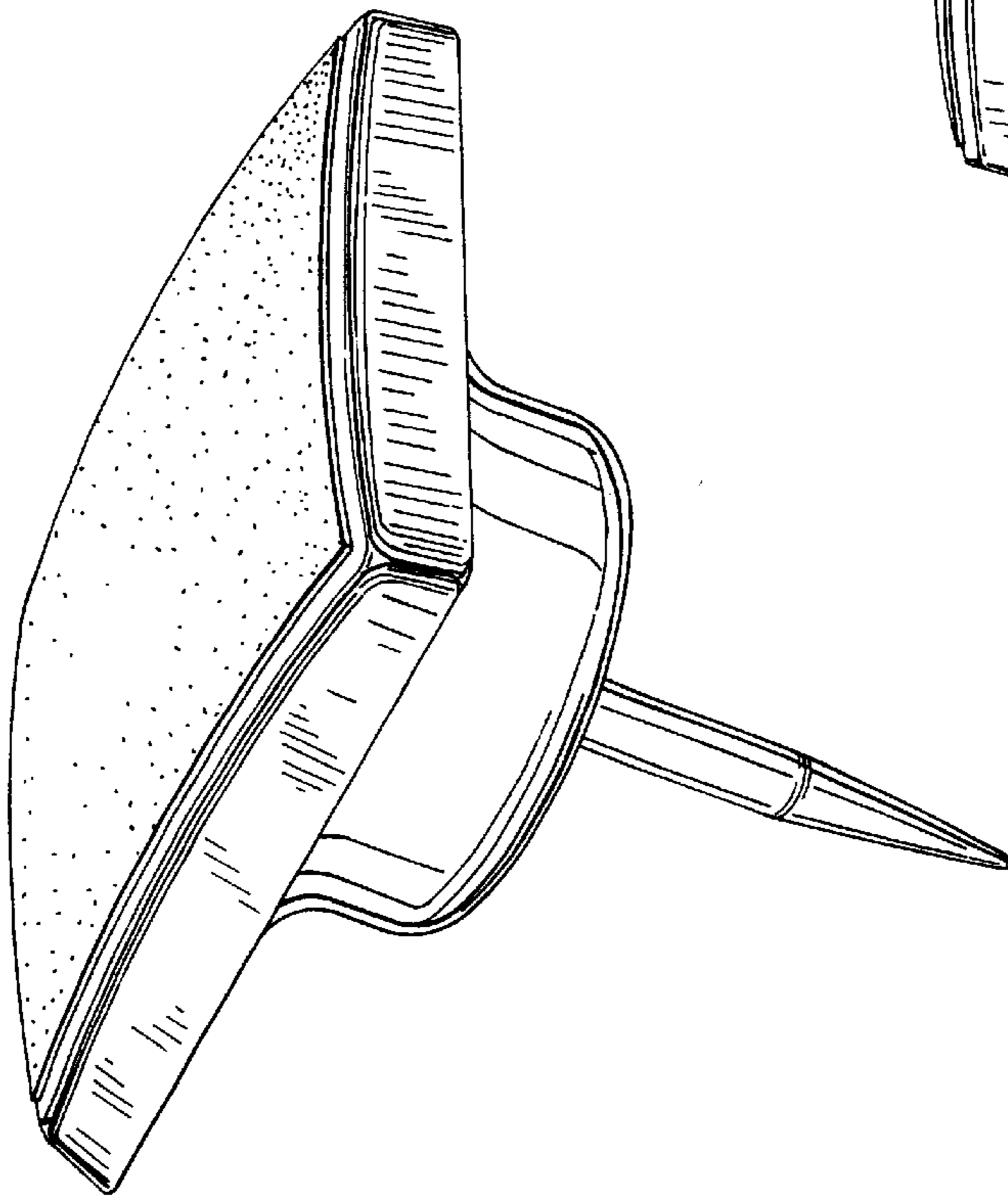


FIG. 3

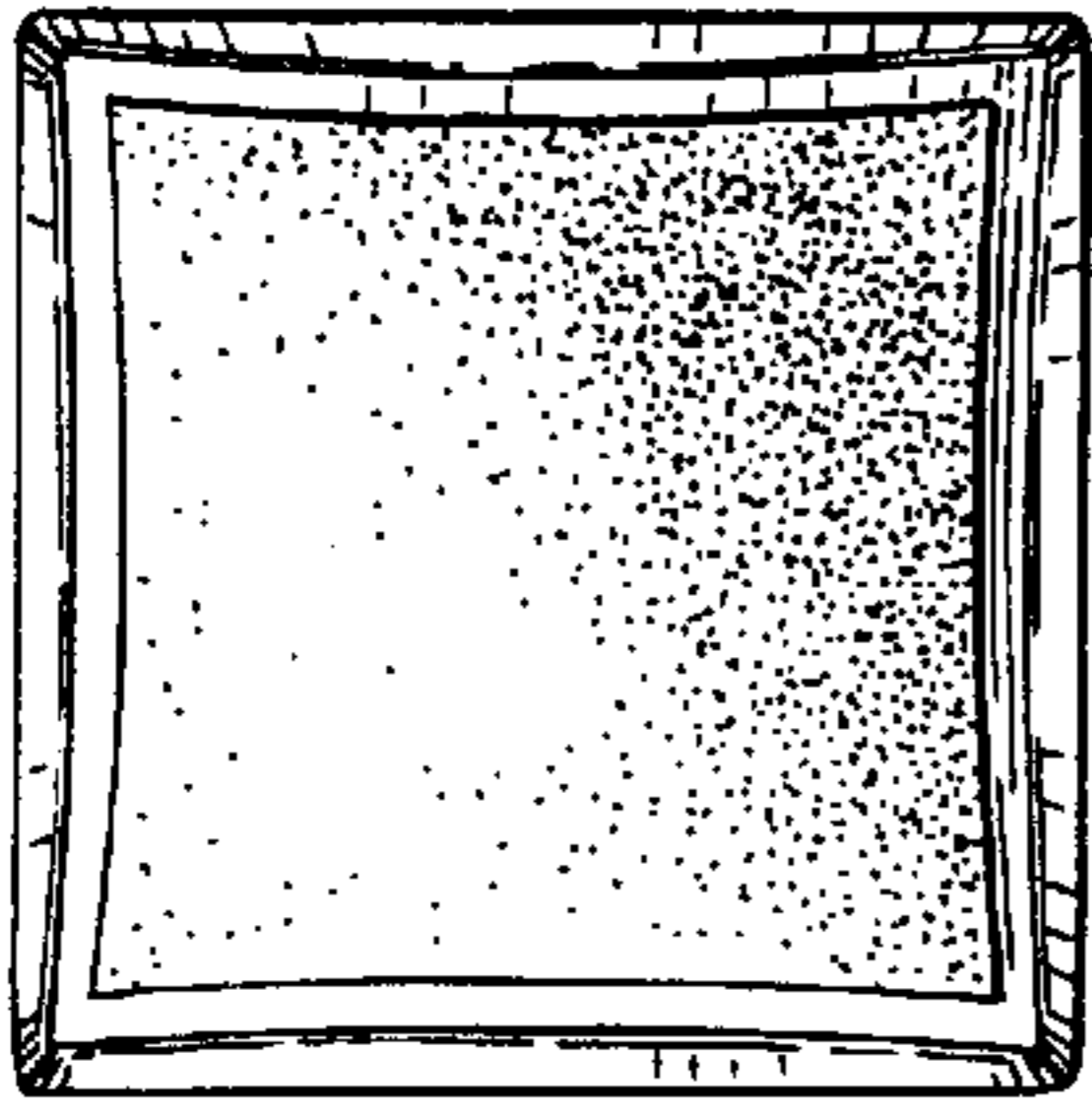


FIG. 4

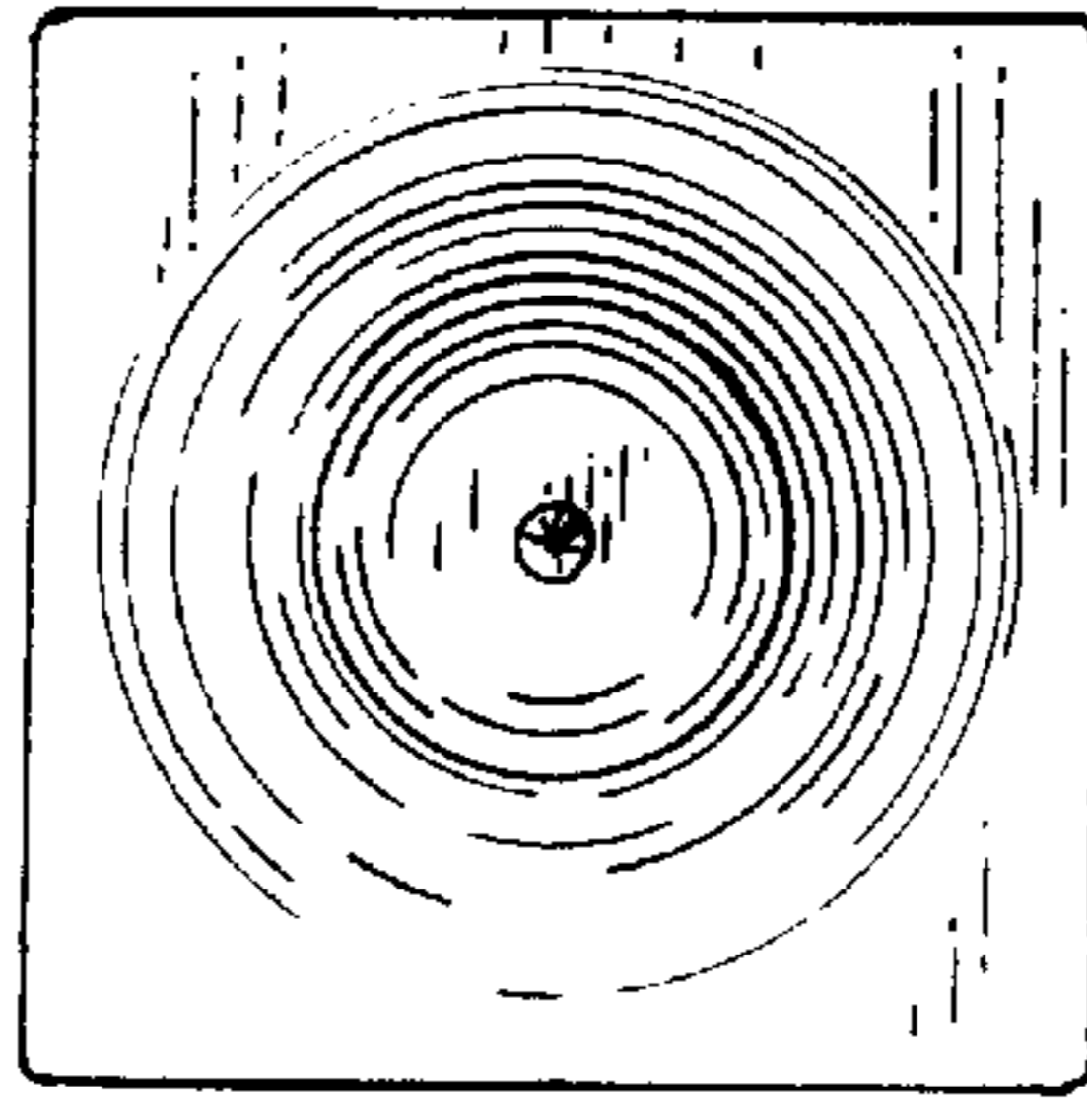


FIG. 2

